



English

Deutsch

Čeština

Eesti keel

Hrvatski

Bosanski

Latviešu valoda

Lietuvių kalba

Magyar

Polski

Română

Slovenčina

Slovenščina

Srpski

Crnogorski

Ελληνικά

Українська мова

RK 1893 Digitouch

ELECTRIC KETTLE
INSTRUCTION MANUAL

WASSERKOCHER
BEDIENUNGSANLEITUNG

RYCHLOVARNÁ KONVICE
NÁVOD K OBSLUZE

ELEKTRIKANN
KASUTUSJUHEND

KUHALO ZA VODU
UPUTE ZA UPORABU

ELEKTRISKĀ TĒJKANNA
ROKASGRĀMATA

LEKTRINIS VIRDUĻYS
INSTRUKCIJŲ VADOVAS

GYORSFORRALÓ
HASZNÁLATI ÚTMUTATÓ

CZAJNIK ELEKTRYCZNY
INSTRUKCJA OBSŁUGI

FIERBĂTOR ELECTRIC
INSTRUCȚIUNI DE UTILIZARE

RYCHLOVARNĀ KANVICA
NÁVOD NA OBSLUHU

ELEKTRIČNI KUHALNIK ZA VODO
NAVODILA

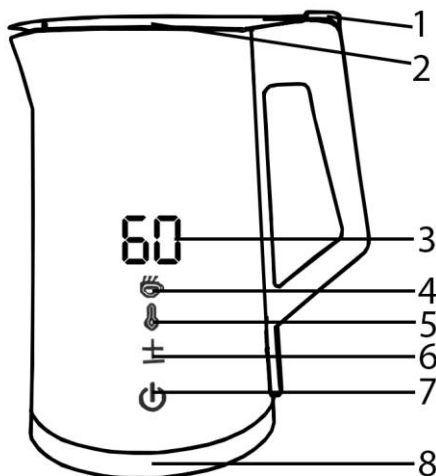
KUVALO ZA VODU
UPUTSTVO ZA UPOTREBU

ΗΛΕΚΤΡΙΚΟΣ ΒΡΑΣΤΗΡΑΣ
ΕΓΧΕΙΡΙΔΙΟ ΟΔΗΓΙΩΝ

ЕЛЕКТРИЧНИЙ ЧАЙНИК
ІНСТРУКЦІЯ З ЕКСПЛУАТАЦІЇ

▪ Always read the safety & use instructions carefully before using your appliance for the first time. The user's manual must be always included. ▪ Bitte lesen Sie vor der Inbetriebnahme des Produktes diese Anleitung und die darin enthaltenen Sicherheitshinweise aufmerksam durch. Die Bedienungsanleitung muss dem Gerät immer beigelegt sein. ▪ Před uvedením výrobku do provozu si důkladně přečtěte tento návod a bezpečnostní pokyny, které jsou v tomto návodu obsaženy. Návod musí být vždy přiložen k přístroji. ▪ Enne seadme esmakordset kasutamist lugege ohutus- ja kasutusjuhised alati hoolikalt läbi. Kasutusjuhend peab alati kaasas olema. ▪ Siempre lea cuidadosamente las instrucciones de seguridad y de uso antes de utilizar su artefacto por primera vez. Siempre debe estar incluido el manual del usuario. ▪ Avant de mettre le produit en service, lisez attentivement le présent mode d'emploi et les consignes de sécurité contenues dans le présent mode d'emploi. Le mode d'emploi doit toujours être fourni avec le produit. ▪ Uvijek pročítajte sigurnosne upute i upute za uporabu prije korištenja vašeg uređaja. Upute moraju uvijek biti priložene. ▪ Leggere sempre con attenzione le istruzioni di sicurezza ed uso prima di utilizzare l'apparecchio per la prima volta. Il manuale dell'utente deve essere sempre incluso. ▪ Pirms ierīces pirmās lietošanas reizes vienmēr rūpīgi izlasiet drošības un lietošanas norādījumus. Rokasgrāmata vienmēr jāpievieno ierīcei. ▪ Prije naudojamesiems prietaisui pirmą kartą, visuomet atidžiai perskaitykite saugos ir naudojimo instrukcijas. Kartu su gaminiu visada privalo būti jo naudotojo vadovas. ▪ A termék használatba vétele előtt figyelmesen olvassa el ezt a használati útmutatót és az útmutatóban található biztonsági rendelkezéseket. A használati útmutatót tartsa a készülék közelében. ▪ Przed pierwszym użyciem urządzenia prosimy o uważne zapoznanie się z instrukcjami dotyczącymi bezpieczeństwa i użytkowania. Instrukcja obsługi musi być zawsze dołączona. ▪ Před uvedením výrobku do prevádzky si dôkladne prečítajte tento návod a bezpečnostné pokyny, ktoré sú v tomto návode obsiahnuté. Návod musí byť vždy priložený k prístroju. ▪ Pred vkladom izdelka temeljito preberite ta navodila in varnostne napotke, ki so navedeni v teh navodilih. Navodila morajo biti vedno priložena k napravi. ▪ Uvek pažljivo pročítajte uputstva za sigurnost i upotrebu pre upotrebe uređaja po prvi put. Korisničko uputstvo mora uvek biti priloženo. ▪ Πριν χρησιμοποιήσετε τη συσκευή σας για πρώτη φορά, διαβάστε αποδοχίστε τις οδηγίες ασφαλείας και χρήσης. Το εγχειρίδιο χρήσης πρέπει να περιλαμβάνεται πάντα στη συσκευασία.

**DESCRIPTION / BESCHREIBUNG / POPIS / KIRJELDUS / OPIS / APRAKSTS /
 APRAŠYMAS / A KÉSZÜLÉK RÉSZEI / OPIS / DESCRIERE / POPIS / OPIS / OPIS /
 ПЕРИГРАФН / ОПИС**



English

1. Button to open the lid
2. Lid
3. Display/ temperature indicator
4. Boiling indicator
5. Temperature hold indicator
6. +/- buttons for temperature control
7. On/Off button
8. Base

Deutsch

1. Taste zum Öffnen des Deckels
2. Deckel
3. Anzeige/Temperaturanzeige
4. Siede-Indikator
5. Anzeige der Temperaturhaltung
6. +/- Tasten für die Temperaturregelung
7. Ein/Aus-Taste
8. Sockel

Čeština

1. Tlačítko na otevření víka
2. Víko
3. Displej / ukazatel teploty
4. Ukazatel varu
5. Ukazatel udržování teploty
6. Tlačítka +/- pro ovládání teploty
7. Tlačítko pro Zapnutí / Vypnutí
8. Základna

Eesti keel

1. Kaane avamise nupp
2. Kaas
3. Ekraan/temperatuurinäidik
4. Kuumutamisnäidik
5. Temperatuuri hoidmise näidik
6. Nupud +/- temperatuuri reguleerimiseks
7. Toitenupp
8. Alus

Hrvatski

Bosanski

1. Gumb za otvaranje poklopca.
2. Poklopac
3. Zaslon / indikator temperature.
4. Indikator ključanja.
5. Indikator održavanja temperature.
6. Tipke +/- za postavljanje temperature.
7. Gumb za uključivanje / isključivanje.
8. Postolja

Latviešu valoda

1. Poga vāka atvēršanai
2. Vāks
3. Displejs/temperatūras indikators
4. Vārīšanās indikators
5. Siltuma uzturēšanas indikators
6. Taustiņi +/- temperatūras iestatīšanai
7. Ieslēgšanas /izslēgšanas poga
8. Pamatne

Lietuvių kalba

1. Mygtukas dangčiui atidaryti
2. Dangtis
3. Ekranas / temperatūros indikatorius
4. Virimo indikatorius
5. Temperatūros palaikymo indikatorius
6. +/- mygtukai temperatūros kontrolei
7. Įjungimo / išjungimo mygtukas
8. Pagrindas

Magyar

1. Fedélnyitógomb
2. Fedél
3. Kijelző / hőmérséklet mutató
4. Forrásjelző
5. Melegen tartás mutató
6. Hőmérséklet-szabályozó +/- gombok
7. BE/KI gomb
8. Talpírész

Polski

1. Przycisk otwierania pokrywy
2. Pokrywa
3. Wyświetlacz / wskaźnik temperatury
4. Wskaźnik gotowania
5. Wskaźnik utrzymania temperatury
6. Przyciski +/- do regulacji temperatury
7. Przycisk włączania/wyłączania
8. Podstawa

Română

1. Buton deschidere capac
2. Capac
3. Afișaj / indicator temperatură
4. Indicator fierbere
5. Indicator menținere temperatură
6. Butoanele +/- pentru comanda temperaturii
7. Buton pentru Pornire / Oprire
8. Baza

Slovenčina

1. Tlačidlo na otvorenie veka
2. Veko
3. Displej/ukazovateľ teploty
4. Ukazovateľ varu
5. Ukazovateľ udržiavania teploty
6. Tlačidlá +/- na ovládanie teploty
7. Tlačidlo na zapnutie/vypnutie
8. Základňa

Slovenščina

1. Gumb za odpiranje pokrova
2. Pokrov
3. Prikazovalnik/kazalec temperature
4. Kazalec vrenja
5. Kazalec ohranjanja temperature
6. Tipki +/- za upravljanje temperature
7. Tipka za Vkllop/Izklop
8. Podstavek

Srpski

Crnogorski

1. Dugme za otvaranje poklopca.
2. Poklopac
3. Ekran / indikator temperature.
4. Indikator ključanja.
5. Indikator održavanja temperature.
6. Tasteri +/- za postavljanje temperature.
7. Dugme za uključivanje / isključivanje.
8. Postolje

Ελληνικά

1. Κομπτί ανοίγματος του κατακίου
2. Καπάκι
3. Οθόνη/ ένδειξη θερμοκρασίας
4. Ένδειξη βράσης
5. Ένδειξη διατήρησης θερμοκρασίας
6. Κομπτά +/- ρύθμισης θερμοκρασίας
7. Κομπτί ενεργοποίησης/Απενεργοποίησης
8. Βάση

Українська мова

1. Кнопка відкриття кришки
2. Кришка
3. Дисплей / індикатор температури
4. Індикатор кипіння
5. Індикатор підтримки температури
6. Кнопки +/- для регулювання температури
7. Кнопка Ввімкнення / Вимкнення
8. Основа

SAFETY GUIDELINES**Read carefully and save for future reference!**

Warning: The precautions and instructions in this manual do not cover all possible conditions and situations that may occur. The user must understand that several factors cannot be built into any of the products, namely common sense, caution and care. These factors must therefore be ensured by the user(s) when operating and using the device. We are not liable for damage caused during transportation, improper use, voltage fluctuations or alteration or modification to any part of the device.

To prevent fire or electric shock, basic precautions should always be taken when using electrical equipment, including the following:

1. Make sure that the voltage in your socket matches the voltage indicated on the label of the device and that the socket is properly earthed. The socket must be installed in accordance with the applicable ČSN electrical standard.
2. Do not use the kettle if the power cord or plug is damaged, if it is not working properly, has fallen to the ground and damaged itself or has fallen into water. **Entrust all repairs, including replacement of the power cord to qualified service personnel! Do not dismantle the device's protective covers, there is a risk of electric shock!**
3. Protect the device from direct contact with water and other liquids to prevent the risk of possible electric shock. Neither the kettle nor its base must not be immersed in water or any other liquid!
4. Do not use the kettle outdoors or in damp environments. Do not touch the power cord or the kettle with wet hands, there is a risk of electric shock.
5. We recommend that you do not leave the kettle unattended with the power cord plugged in. Before servicing, unplug the power cord from the power outlet. Do not pull the plug out of

the socket by pulling the cord. Disconnect the cable from the socket by grasping and pulling the plug.

6. The power cord must not touch hot parts or go over sharp edges.
7. Use only original accessories.
8. The kettle should not be left unattended during operation.
9. Take extra care when using the kettle around children. To protect them against the risk of electric shock never leave children alone to handle the device. Place the kettle only in a place where children cannot access the appliance. Make sure that the power cord doesn't hang down.
10. Do not place the kettle on a hot surface or use it near heat sources (e.g. the hob of a cooker).
11. Only use the kettle in accordance with the instructions in this manual. The manufacturer shall not be liable for damages caused by improper use of this device.
12. While the water is boiling or shortly after the water has boiled, do not attempt to open the lid, there is a risk of steam scalding your hands.
13. Avoid splashing water on the LCD panel and the area where the operating buttons are used. If water enters the appliance, it can cause the appliance to operate in a non-standard way.
14. This appliance is designed for use in the home and similar areas, such as:
 - kitchenettes in shops, offices and other workplaces
 - appliances used in agriculture
 - appliances used by guests in hotels, guest houses and other types of accommodation.
 - appliances used in bed and breakfast establishments
15. This appliance may be used by children aged 8 years or older and persons with reduced physical, sensory or mental abilities or lack of experience and knowledge, provided they are supervised or have been instructed in the safe use of the appliance and understand the potential hazards. Children must not play with

the appliance. Standard user cleaning and maintenance must not be carried out by children unless they are at least 8 years old and supervised. Children under 8 years of age must stay away from the appliance and its power supply.

Make sure that the kettle is placed on a flat surface so that it cannot tip over and cause injury during boiling. Do not touch the outer casing of the kettle or the lid during operation and even after boiling; the outer surfaces are hot. Do not use the appliance near objects that can be damaged by steam.

Do not immerse in water! - Do not immerse in water!

DANGEROUS for children: Children must not play with packaging material. Do not let children play with plastic bags. Choking hazard.

WARNING

1. When filling the kettle, use only cold water.
2. The water level must be between the MAX. and MIN. levels!
If the kettle is overfilled hot water could splash out.
3. Switch off the kettle before removing it from the base.
4. Always make sure the lid is closed securely.
5. The base and outside of the kettle must not be wet.
6. Always use the kettle only with the base supplied.
7. Do not turn the kettle on if it is empty.

The kettle must not be used to heat liquids other than water! Never put tea bags, loose tea or any other ingredients for drinks in the kettle!

INSTRUCTIONS FOR USE

Before using the kettle for the first time, remove the kettle and wash the inside with normal dishwashing detergent. After this rinse it with lukewarm water. Before using the kettle for the first time, fill the kettle with clean, cold drinking water to the maximum level, turn it on and bring the water to the boil. Then pour the water out and repeat the process at least five times. This procedure will properly boil the kettle and get rid of any potential aftertaste. If you feel there is an aftertaste from the boiled water, we recommend repeating the process. Another recommendation is to leave the empty kettle open for 24 hours. The material of the kettle in contact with water is certified that it presents no risk to health and safety. Any slight "smell" or "aftertaste" during initial use after unpacking the kettle is normal and should not be grounds for a complaint.

Basic operation

1. Place the base on a dry, smooth and flat surface and insert the plug into the socket. After placing the kettle onto the base, the power is automatically switched on.
2. Fill the kettle with water to at least the "MIN" mark (0.5l)
3. Lightly press the power button (7), a beep sounds and the button next to the boil indicator (4) lights up, this means that the water is starting to boil.
4. You can see the current water temperature in the kettle on the display (3)
5. When the water reaches boiling point, the indicator light will go out and a beep will sound.

Note: if you wish to stop the kettle boiling, press the button (7) again. A double beep sounds and the boil indicator light (4) goes out.

Setting and maintaining the temperature of the boil without boiling the water to 100°C:

If you wish the boiling water to be interrupted when the desired temperature is reached, place the kettle on the base (8) and select the desired temperature (40 °C/55 °C/80 °C/90 °C) by pressing the temperature control button (6) repeatedly; this temperature is shown on the display (3). As soon as the "beep" sounds, the kettle starts boiling. When the kettle has finished boiling to the desired temperature, it beeps briefly 3 times, then the kettle starts the temperature hold function for a duration of 24 hours. The temperature hold function is active when the LED next to the temperature hold indicator (5) is lit. The kettle will start boiling water again if the selected temperature drops by 10°C.

Notes: You can cancel the temperature hold by briefly pressing the off button (7)

Setting and maintaining the temperature of the boil with boiling water to 100 °C:

If you wish the water to boil to 100°C first and then maintain the temperature you have selected, place the kettle on the base (8) and select the desired temperature (40°C/55°C/80°C/90°C) by pressing the temperature control button (6) repeatedly, this temperature is shown on the display (3). Then press the power button (7), a beep sounds and the kettle starts to boil. The LEDs next to the Boil Indicator (4) and the temperature hold Indicator (5) will light up. Once the boiling of the water is complete, the temperature of the water in the kettle will drop to the temperature you have selected, after which the kettle will start the temperature hold function for a duration of 24 hours. The temperature hold function is active when the LED next to the temperature hold indicator (5) is lit. The kettle will start boiling water again if the selected temperature drops by 10°C.

Notes: You can cancel the temperature hold by briefly pressing the off button (7)

HOW TO CARE FOR YOUR KETTLE

Wipe the outer surface of the kettle with a soft damp cloth or sponge. Remove dirt in difficult areas with a damp cloth and a mild liquid detergent. Do not use a wire brush or other abrasive means. Never immerse the appliance in water or other liquids.

From time to time, depending on the composition - and hardness - of your water, limescale deposits will naturally form and usually stick to the heating element, reducing the heating efficiency. The amount of limescale build-up and the subsequent need for cleaning or descaling depends largely on the hardness of the water in your region and the frequency of use of the kettle. The limescale formed is not harmful to health, but if it gets into your drink, it can give you a powdery taste. Therefore limescale should be regularly removed from the kettle as outlined below.

LIMESCALE REMOVAL

Remove limescale regularly. During normal use this means at least twice per year.

1. Fill the kettle to the "max" mark with a solution of one part vinegar and two parts water. Turn on and wait for the appliance to switch off automatically.
2. Leave the solution overnight.
3. Dispose of the solution the following morning.
4. Fill the kettle with clean water up to the MAX mark and let it boil again.
5. Pour away this boiled water, which will also remove any remaining vinegar residue.
6. Rinse the inside of the kettle with clean water.

TECHNICAL DATA

Volume: 1.7 l

Rated voltage: 220–240 V~ 50-60 Hz

Rated power input: 1850–2200 W

RECYCLING AND DISPOSAL OF PACKAGING

Wrapping paper and corrugated cardboard - take to paper collection plant or place in paper collection containers. Travel film, PE bags, plastic packaging or parts - place in plastic collection containers.

DISPOSAL OF THE PRODUCT AT THE END OF ITS USEFUL LIFE

Disposal of used electrical and electronic equipment (applicable in EU member countries and other European countries with an established waste separation system)

This symbol on the product or packaging indicates that the product should not be treated as household waste. Take the product to a place designated for the recycling of electrical and electronic equipment. Proper disposal of the product will prevent negative effects on human health and the environment. The recycling of materials contributes to the conservation of natural resources. For more information on recycling this product, please contact your local authority, household waste management organisation or the point of sale where you purchased the product. Improper disposal of this type of waste may result in the receipt of a fine under the applicable law.



This product meets the requirements of the EU directives on electromagnetic

compatibility and electrical safety and the issue of heavy metals in electrical and electronic equipment. It also meets the relevant energy and food contact requirements.

Operating instructions are available on the website www.ecg-electro.eu.
Text and technical parameters are subject to change.

SICHERHEITSHINWEISE

Sorgfältig lesen und zum Nachschlagen aufbewahren!

Warnung: Die Sicherheitsmaßnahmen und -anweisungen in diesem Handbuch decken nicht alle möglichen Bedingungen und Situationen ab, die auftreten können. Der Benutzer muss verstehen, dass der Faktor, der in keines der Produkte eingebaut werden kann, gesunder Menschenverstand, Vorsicht und Sorgfalt ist. Diese Faktoren müssen daher von dem/den Benutzer(n), der/die das Gerät verwendet/verwenden, sichergestellt werden. Wir haften nicht für Schäden, die während des Transports, bei unsachgemäßem Gebrauch, bei Spannungsschwankungen oder bei Änderungen oder Modifikationen an Teilen des Geräts entstehen.

Um Brände oder Stromschläge zu vermeiden, sollten bei der Verwendung elektrischer Geräte stets grundlegende Vorsichtsmaßnahmen getroffen werden, einschließlich der folgenden:

1. Vergewissern Sie sich, dass die Spannung in Ihrer Steckdose mit der auf dem Etikett des Geräts angegebenen Spannung übereinstimmt und dass die Steckdose richtig geerdet ist. Die Steckdose muss in Übereinstimmung mit der geltenden elektrotechnischen Norm ČSN installiert werden.
2. Verwenden Sie den Wasserkocher nicht, wenn das Netzkabel oder der Stecker beschädigt ist, wenn es nicht richtig funktioniert, auf den Boden gefallen und beschädigt ist oder in Wasser gefallen ist. **Überlassen Sie alle Reparaturen, einschließlich des Austauschs der Stromversorgungsleitung, dem Kundendienst! Die Schutzabdeckungen des Geräts dürfen nicht entfernt werden, es besteht die Gefahr eines Stromschlags!**
3. Schützen Sie das Gerät vor direktem Kontakt mit Wasser und anderen Flüssigkeiten, um einen möglichen Stromschlag zu

- vermeiden. Weder der Kocher, noch sein Sockel dürfen in Wasser oder andere Flüssigkeit getaucht werden!
4. Verwenden Sie den Wasserkocher nicht im Freien oder in feuchter Umgebung. Berühren Sie das Netzkabel oder den Wasserkocher nicht mit nassen Händen. Es besteht die Gefahr eines Stromschlags.
 5. Wir empfehlen Ihnen, den Wasserkocher nicht unbeaufsichtigt zu lassen, wenn das Netzkabel eingesteckt ist. Ziehen Sie vor Wartungsarbeiten den Netzstecker aus der Steckdose. Ziehen Sie den Stecker nicht durch Ziehen am Kabel aus der Steckdose. Ziehen Sie das Kabel aus der Steckdose, indem Sie es am Stecker festhalten.
 6. Das Versorgungskabel darf keine heißen Teile berühren oder über scharfe Kanten führen.
 7. Verwenden Sie nur Originalzubehör.
 8. Der Wasserkocher sollte während des Betriebs nicht unbeaufsichtigt gelassen werden.
 9. Seien Sie besonders vorsichtig, wenn Sie den Wasserkocher in der Nähe von Kindern benutzen. Lassen Sie niemals Kinder alleine mit dem Gerät hantieren, um sie gegen die Gefahr eines Stromschlags zu schützen. Stellen Sie den Wasserkocher nur an einem Ort auf, an dem Kinder keinen Zugang zum Gerät haben. Stellen Sie sicher, dass der Anschluss nicht nach unten hängt.
 10. Stellen Sie den Wasserkocher nicht auf eine heiße Oberfläche oder verwenden Sie ihn nicht in der Nähe einer Wärmequelle (z. B. auf der Herdplatte).
 11. Verwenden Sie den Wasserkocher nur gemäß den Anweisungen in dieser Anleitung. Der Hersteller haftet nicht für Schäden, die durch den unsachgemäßen Gebrauch dieses Gerätes entstehen.
 12. Während das Wasser kocht oder kurz nachdem das Wasser gekocht hat, versuchen Sie nicht, den Deckel zu öffnen, es besteht die Gefahr, dass der Dampf Ihre Hände verbrüht.
 13. Vermeiden Sie Wasserspritzer auf dem LCD-Bildschirm und im

Bereich der Verwendung von Betriebstasten. Wenn Wasser in das Gerät eindringt, kann es dazu führen, dass das Gerät nicht standardmäßig funktioniert.

14. Dieses Gerät ist für die Verwendung in Wohnungen und ähnlichen Bereichen bestimmt, wie z.B.:
- Teeküchen in Geschäften, Büros und anderen Arbeitsstätten
 - in der Landwirtschaft verwendete Geräte
 - Geräte, die von Gästen in Hotels, Motels und anderen Wohnbereichen benutzt werden
 - Geräte, die in Bed-and-Breakfast-Betrieben verwendet werden
15. Dieses Gerät kann von Kindern ab 8 Jahren und von Personen mit verringerten physischen, sensorischen oder mentalen Fähigkeiten oder Mangel an Erfahrung und Wissen benutzt werden, vorausgesetzt, sie werden beaufsichtigt oder sind in die sichere Benutzung des Gerätes eingewiesen worden und verstehen die möglichen Gefahren. Kinder dürfen nicht mit dem Gerät spielen. Die Reinigung und Wartung durch den Benutzer darf nicht von Kindern durchgeführt werden, es sei denn, sie sind mindestens 8 Jahre alt und werden beaufsichtigt. Kinder unter 8 Jahren sind vom Bereich des Geräts und seiner Stromversorgung fernzuhalten.

Achten Sie darauf, dass der Wasserkocher auf einer ebenen Fläche steht, damit er während des Kochens nicht umkippen und Verletzungen verursachen kann. Berühren Sie während des Betriebs und auch nach dem Aufkochen nicht das äußere Gehäuse des Wasserkochers oder den Deckel; die Außenflächen sind heiß. Verwenden Sie das Gerät nicht in der Nähe von Gegenständen, die durch Dampf beschädigt werden können.

Nicht in Wasser tauchen! - Nicht in Wasser tauchen!

GEFAHR für Kinder: Kinder dürfen nicht mit dem

Verpackungsmaterial spielen. Lassen Sie Kinder nicht mit Plastiktüten spielen. Erstickungsgefahr.

HINWEIS

1. Verwenden Sie zum Befüllen des Wasserkochers nur kaltes Wasser.
2. Der Wasserstand muss zwischen den Markierungen MAX. und MIN. liegen! Wenn der Wasserkocher überläuft, kann heißes Wasser herauspritzen.
3. Schalten Sie den Wasserkocher aus, bevor Sie ihn von seinem Sockel nehmen.
4. Achten Sie immer darauf, dass der Deckel fest verschlossen ist.
5. Der Boden und die Außenseite des Wasserkochers dürfen nicht nass sein.
6. Verwenden Sie den Wasserkocher immer nur mit dem mitgelieferten Sockel.
7. Schalten Sie den Wasserkocher nicht ein, wenn er leer ist.

Der Wasserkocher darf nicht zum Erhitzen anderer Flüssigkeiten als Wasser verwendet werden! Legen Sie niemals Teebeutel, losen Tee oder andere Getränkezusätze in den Wasserkocher!

BEDIENUNGSANWEISUNGEN

Bevor Sie den Wasserkocher zum ersten Mal benutzen, nehmen Sie ihn heraus und waschen Sie das Innere des Wasserkochers mit normalem Geschirrspülmittel. Anschließend mit lauwarmem Wasser abspülen. Bevor Sie den Wasserkocher zum ersten Mal benutzen, füllen Sie ihn bis zur maximalen Füllhöhe mit sauberem, kaltem Trinkwasser, schalten ihn ein und bringen das Wasser zum Kochen. Gießen Sie dann das Wasser ab und wiederholen Sie den Vorgang mindestens fünfmal. Auf diese Weise wird der Kocher richtig ausgekocht und jeglicher Nachgeschmack beseitigt. Wenn Sie einen Nachgeschmack des abgekochten Wassers spüren, empfehlen wir, den Vorgang zu wiederholen. Eine weitere Empfehlung ist, den leeren Kocher 24 Stunden lang offen stehen zu lassen. Das Material des Wasserkochers, das mit Wasser in Berührung kommt, ist für die gesundheitliche Unbedenklichkeit zertifiziert. Ein leichter "Geruch" oder "Nachgeschmack" bei der ersten Benutzung nach dem Auspacken des Wasserkochers ist normal und sollte kein Grund zur Reklamation sein.

Grundlegende Bedienung

1. Stellen Sie den Sockel auf eine trockene, glatte und horizontale Fläche und stecken Sie den Stecker in die Steckdose. Nach dem Einlegen des Wasserkochers in den Sockel schaltet sich der Strom automatisch ein.
2. Füllen Sie den Kocher mit Wasser, mindestens bis zur Markierung "MIN" (0,5 l)
3. Drücken Sie kurz die Einschalttaste (7), ein Piepton ertönt und die Taste neben der Kochanzeige (4) leuchtet auf, was bedeutet, dass das Wasser zu kochen beginnt.
4. Sie können die aktuelle Wassertemperatur im Wasserkocher auf dem Display (3) ablesen
5. Wenn das Wasser den Siedepunkt erreicht, erlischt die Kontrollleuchte und ein Signalton ertönt.

Hinweis: Wenn Sie den Kochvorgang abbrechen möchten, drücken Sie erneut die Taste (7). Es ertönt ein doppelter Piepton und die Kochkontrollleuchte (4) erlischt.

Einstellung und Aufrechterhaltung der Kochtemperatur, ohne das Wasser auf 100°C zu kochen:

Wenn Sie möchten, dass der Kochvorgang unterbrochen wird, wenn die gewünschte Temperatur erreicht ist, stellen Sie den Wasserkocher auf den Sockel (8) und wählen Sie die gewünschte Temperatur (40 °C/55 °C/80 °C/90 °C) durch wiederholtes Drücken der Temperaturwahltaste (6); diese Temperatur wird auf dem Display (3) angezeigt. Sobald der "Piepton" ertönt, beginnt der Kessel zu kochen. Wenn der Wasserkocher die gewünschte Temperatur erreicht hat, ertönt ein dreimaliger kurzer Signalton, dann startet der Wasserkocher die Temperaturerhaltungsfunktion für 24 Stunden. Die Temperaturhaltefunktion ist aktiv, wenn die LED neben der Temperaturhalteanzeige leuchtet (5). Der Wasserkocher beginnt erneut zu kochen, wenn die gewählte Temperatur um 10°C sinkt.

Bemerkung: Sie können das Ende der Temperaturerhaltung durch kurzes Drücken der Aus-Taste (7) abbrechen

Einstellung und Haltung der Temperatur mit Wasserkochen auf 100 °C:

Wenn Sie möchten, dass das Wasser zuerst auf 100°C kocht und dann die von Ihnen gewählte Temperatur beibehält, stellen Sie den Wasserkocher auf den Sockel (8) und wählen die gewünschte Temperatur (40°C/55°C/80°C/90°C) durch wiederholtes Drücken der Temperaturregelungstaste (6); diese Temperatur wird auf dem Display (3) angezeigt. Dann drücken Sie die Einschalttaste (7), ein Piepton ertönt und der Wasserkocher beginnt zu kochen. Die LEDs neben der Kochanzeige (4) und der Temperaturhalteanzeige (5) leuchten auf. Sobald das Wasser kocht, sinkt die Temperatur des Wassers im Wasserkocher auf die von Ihnen gewählte Temperatur ab. Danach startet der Wasserkocher die Temperaturhaltefunktion für 24 Stunden. Die Temperaturhaltefunktion ist aktiv, wenn die LED neben der Temperaturhalteanzeige leuchtet (5). Der Wasserkocher beginnt erneut zu kochen, wenn die gewählte Temperatur um 10°C sinkt.

Bemerkung: Sie können das Ende der Temperaturerhaltung durch kurzes Drücken der Aus-Taste (7) abbrechen

WIE SIE IHREN WASSERKOCHER PFLEGEN

Wischen Sie die Außenfläche des Wasserkochers mit einem weichen, feuchten Tuch oder Schwamm ab. Entfernen Sie hartnäckige Stellen mit einem Tuch, der mit einem milden Flüssigwaschmittel angefeuchtet wurde. Verwenden Sie keine Stahlwolle oder andere scharfe Mittel. Tauchen Sie das Gerät niemals in Wasser oder andere Flüssigkeiten ein.

Je nach Zusammensetzung - und Härtegrad - Ihres Wassers bilden sich von Zeit zu Zeit natürliche Kalkablagerungen, die sich in der Regel am Heizelement festsetzen und die Heizleistung verringern. Das Ausmaß der Kalkablagerung und der anschließende Bedarf an Reinigung oder Entkalkung hängt weitgehend von der Wasserhärte in Ihrer Region und der Häufigkeit der Nutzung des Wasserkochers ab. Der so entstandene Kalk ist nicht gesundheitsschädlich. Wenn es jedoch in Ihr Getränk gelangt, kann es einen pudrigen Geschmack verursachen. Der Kocher sollte daher regelmäßig wie unten beschrieben entkalkt werden.

ENTKALKUNG

Entfernen Sie den Kalk regelmäßig. Bei normalem Gebrauch mindestens 2 Mal pro Jahr.

1. Füllen Sie den Wasserkocher bis zur Markierung "max" mit einer Lösung aus einem Teil Essig und zwei Teilen Wasser. Einschalten und warten, bis sich das Gerät automatisch ausschaltet.
2. Lassen Sie die Lösung über Nacht wirken.
3. Lösung am nächsten Morgen ausgießen.
4. Füllen Sie den Wasserkocher bis zur MAX-Marke mit sauberem Wasser und lassen Sie es erneut kochen.
5. Gießen Sie dieses abgekochte Wasser aus, wodurch auch die vorherigen Essigreste entfernt werden.
6. Spülen Sie das Innere des Wasserkochers mit sauberem Wasser aus.

TECHNISCHE DATEN

Volumen: 1,7 l

Nennspannung: 220–240 V~ 50-60 Hz

Nennleistungsaufnahme: 1850–2200 W

VERWERTUNG UND ENTSORGUNG VON VERPACKUNGEN

Papier aus der Packung und Wellpappe - zur Papiersammlung oder zu den Papiercontainern bringen. Umverpackungsfolien, PE-Beutel, Kunststoffverpackungen oder -teile - für Kunststoffsammelbehälter.

ENTSORGUNG DES PRODUKTS AM ENDE SEINER NUTZUNGSDAUER

Entsorgung von Elektro- und Elektronik-Altgeräten (anwendbar in EU-Mitgliedsstaaten und anderen europäischen Ländern mit einem etablierten Abfalltrennungssystem)

Das Symbol auf dem Produkt oder der Verpackung weist darauf hin, dass das Produkt nicht als Hausmüll behandelt werden darf. Bringen Sie das Produkt zu einem Ort, der für das Recycling von elektrischen und elektronischen Geräten vorgesehen ist. Die ordnungsgemäße Entsorgung des Produkts verhindert negative Auswirkungen auf die menschliche Gesundheit und die Umwelt. Das Recycling von Materialien trägt zur Erhaltung der natürlichen Ressourcen bei. Für weitere Informationen zum Recycling dieses Produkts wenden Sie sich bitte an Ihr Gemeindeamt, an eine Organisation zur Entsorgung von Haushaltsabfällen oder an die Verkaufsstelle, bei der Sie das Produkt gekauft haben. Die unsachgemäße Entsorgung dieser Art von Abfällen kann nach dem Gesetz mit Geldbußen geahndet werden.



08/05



Dieses Produkt erfüllt die Anforderungen der EU-Richtlinien zur elektromagnetischen Verträglichkeit und elektrischen Sicherheit sowie zur

Schwermetallproblematik in Elektro- und Elektronikgeräten. Außerdem erfüllt es die einschlägigen Anforderungen in Bezug auf Energie und Kontakt mit Lebensmitteln.

Bedienungsanleitungen finden Sie auf der Website www.ecg-electro.eu.
Änderungen der Texte und technischer Parameter vorbehalten

BEZPEČNOSTNÍ POKYNY

Čtěte pozorně a uschovejte pro budoucí potřebu!

Varování: Bezpečnostní opatření a pokyny uvedené v tomto návodu nezahrnují všechny možné podmínky a situace, ke kterým může dojít. Uživatel musí pochopit, že faktorem, který nelze zabudovat do žádného z výrobků, je zdravý rozum, opatrnost a péče. Tyto faktory tedy musí být zajištěny uživatelem/uživateli používajícími a obsluhujícími toto zařízení. Neodpovídáme za škody způsobené během přepravy, nesprávným používáním, kolísáním napětí nebo změnou či úpravou jakékoliv části zařízení.

Abyste se vyhnuli vzniku požáru nebo k úrazu elektrickým proudem, měla by být při používání elektrických zařízení vždy dodržována základní opatření, včetně těch následujících:

1. Ujistěte se, že napětí ve vaší zásuvce odpovídá napětí uvedenému na štítku zařízení a že je zásuvka řádně uzemněná. Zásuvka musí být instalována podle platné elektrotechnické normy ČSN.
2. Nepoužívejte konvici, pokud je přívodní kabel nebo vidlice poškozena, pokud nepracuje správně, upadla na zem a poškodila se nebo spadla do vody. **Veškeré opravy včetně výměny napájecího přívodu svěřte odbornému servisu! Nedemontujte ochranné kryty zařízení, hrozí nebezpečí úrazu elektrickým proudem!**
3. Chraňte zařízení před přímým kontaktem s vodou a jinými tekutinami, aby nedošlo k případnému úrazu elektrickým proudem. Konvici ani její základnu nesmíte ponořit do vody ani do jiné tekutiny!
4. Nepoužívejte konvici venku nebo ve vlhkém prostředí. Nedotýkejte se přívodního kabelu nebo konvice mokřkýma rukama. Hrozí nebezpečí úrazu elektrickým proudem.
5. Doporučujeme nenechávat konvici se zasunutým přívodním kabelem v zásuvce bez dozoru. Před údržbou vytáhněte přívodní

- kabel ze síťové zásuvky. Vidlici nevytahujte ze zásuvky taháním za kabel. Kabel odpojte ze zásuvky uchopením za vidlici.
6. Přívodní kabel se nesmí dotýkat horkých částí ani vést přes ostré hrany.
 7. Používejte pouze originální příslušenství.
 8. Konvice by neměla být ponechána během chodu bez dozoru.
 9. Dbejte zvýšené pozornosti, pokud používáte konvici v blízkosti dětí. Nikdy nenechávejte manipulovat s přístrojem samotné děti, abyste je ochránili před nebezpečím úrazu elektrickým proudem. Postavte konvici pouze na takové místo, aby děti neměly ke spotřebiči přístup. Dbejte na to, aby přívod nevisel dolů.
 10. Konvici nepokládejte na horký povrch ani jej nepoužívejte v blízkosti zdroje tepla (např. plotýnky sporáku).
 11. Používejte konvici pouze v souladu s pokyny uvedenými v tomto návodu. Výrobce neodpovídá za škody způsobené nesprávným použitím tohoto zařízení.
 12. Během varu vody nebo krátce poté, co voda varem přejde, se nepokoušejte otevřít víko, hrozí riziko opaření ruky párou.
 13. Vyvarujte se postříkání vodou panelu LCD a oblasti, kde se používají provozní klávesy. Pokud voda vnikne do spotřebiče, může to způsobit jeho nestandardní provoz.
 14. Tento spotřebič je určen pro použití v domácnosti a podobných prostorech, jako jsou:
 - kuchyňské kouty v obchodech, kancelářích a ostatních pracovištích
 - spotřebiče používané v zemědělství
 - spotřebiče používané hosty v hotelích, motelech a jiných obytných oblastech
 - spotřebiče používané v podnicích zajišťujících nocleh se snídaní
 15. Tento spotřebič mohou používat děti ve věku 8 let a starší a osoby se sníženými fyzickými, smyslovými či mentálními schopnostmi nebo nedostatkem zkušeností a znalostí, pokud

jsou pod dozorem nebo byly poučeny o používání spotřebiče bezpečným způsobem a rozumí případným nebezpečím. Děti si se spotřebičem nesmějí hrát. Čištění a údržbu prováděnou uživatelem nesmějí provádět děti, pokud nejsou starší 8 let a pod dozorem. Děti mladší 8 let se musí držet mimo dosah spotřebiče a jeho přívodu.

Dbejte na to, aby konvice byla postavena na rovném povrchu, aby nemohlo při vaření dojít k převržení a úrazu. Během provozu a i po uvaření se nedotýkejte vnějšího pláště konvice ani víka, vnější povrchy jsou horké. Nepoužívejte spotřebič v blízkosti předmětů, které se mohou poškodit parou.

Do not immerse in water! – Neponořovat do vody!

NEBEZPEČÍ pro děti: Děti si nesmějí hrát s obalovým materiálem. Nenechte děti hrát si s plastovými sáčky. Nebezpečí udušení.

UPOZORNĚNÍ

1. Při plnění konvice používejte pouze studenou vodu.
2. Hladina vody musí být mezi značkami MAX. a MIN.!
Při přeplnění konvice by mohlo dojít k vystříknutí horké vody.
3. Vypněte konvici před odejmutím ze základny.
4. Vždy se ujistěte, že je víko dobře zavřeno.
5. Základna a vnější strana konvice nesmí být mokrá.
6. Konvici používejte vždy pouze s dodanou základnou.
7. Nezapínejte konvici, pokud je prázdná.

Konvice nesmí být použita k ohřevu jiných kapalin než je voda! Nikdy do konvice nevkládejte sáčky s čajem, sypané čaje ani žádné jiné příměsi pro výrobu nápojů!

POKYNY K POUŽÍVÁNÍ

Před prvním použitím konvici vyndejte a její vnitřek umyjte běžným saponátem používaným na mytí nádobí. Poté jej opláchněte vlažnou vodou. Před prvním použitím naplňte konvici čistou studenou pitnou vodou po max. úroveň, zapněte ji a vodu uveďte do varu. Následně vodu vylijte a

postup alespoň pětkrát zopakujte. Tímto postupem konvici řádně vyvaříte a zbavíte se i eventuální pachuti. Máte-li pocit, že z převařené vody cítíte pachut, doporučujeme postup opakovat. Dalším doporučením je ponechat prázdnou konvici otevřenou 24 hodin. Materiál konvice přicházející do styku s vodou má atest o zdravotní nezávadnosti. Případný mírný „zápach“ nebo „pachut“ při prvotním používání po vybalení konvice je běžným jevem a neměl by být důvodem k reklamaci spotřebiče.

Základní provoz

1. Položte základnu na suchou, hladkou a vodorovnou plochu a zasuňte zástrčku do zásuvky. Po položení konvice do základny se automaticky zapne napájení.
2. Naplňte konvici vodou, minimálně po rysku „MIN“ (0,5l)
3. Stiskněte krátce tlačítko pro zapnutí (7), ozve se pípnutí a vedle ukazatele varu (4) se rozsvítí dioda, znamená to, že se voda začne vařit.
4. Na displeji (3) můžete pozorovat aktuální teplotu vody v konvici
5. Jakmile voda dosáhne varu, kontrolka zhasne a ozve se pípnutí.

Poznámka: pokud si přejete vaření vody ukončit, zmáčkněte znovu tlačítko (7). Ozve se dvojité pípnutí a zhasne kontrolka ukazatele varu (4).

Nastavení a udržení teploty varu bez převaření vody na 100°C:

Pokud si přejete, aby se var vody přerušil po dosažení Vámi požadované teploty, konvici položte na základnu (8) a opakovaným mačkáním tlačítka pro ovládání teploty (6) vyberte požadovanou teplotu (40 °C/55 °C/80 °C/90 °C), tahle teplota se zobrazuje na displeji (3). Jakmile se ozve pípnutí, konvice začne vařit. Po dokončení varu na požadovanou teplotu konvice 3x krátce zapípá, následně konvice spustí funkci udržování teploty, a to po dobu 24 hodin. Funkce udržování teploty je aktivní, pokud svítí dioda vedle ukazatele udržení teploty (5) Konvice začne vodu vařit znovu, klesne-li zvolená teplota o 10°C.

Poznámka: Ukončení udržování teploty můžete zrušit krátkým stisknutím tlačítka pro vypnutí (7)

Nastavení a udržení teploty varu s převařením vody na 100 °C:

Pokud si přejete, aby se voda provařila na 100°C a následně udržovala Vámi zvolenou teplotu, konvici položte na základnu (8) a opakovaným mačkáním tlačítka pro ovládání teploty (6) vyberte požadovanou teplotu (40 °C/55 °C/80 °C/90 °C), tahle teplota se zobrazuje na displeji (3). Následně zmáčkněte tlačítko pro zapnutí (7), ozve pípnutí a konvice začne vařit. Rozsvítí se diody vedle Ukazatele varu (4) a ukazatele udržování teploty (5). Po dokončení převaření vody bude teplota vody v konvici klesat až na Vámi zvolenou teplotu, následně konvice spustí funkci udržování teploty, a to po dobu 24 hodin. Funkce udržování teploty je aktivní, pokud svítí dioda vedle ukazatele udržení teploty (5) Konvice začne vodu vařit znovu, klesne-li zvolená teplota o 10°C.

Poznámka: Ukončení udržování teploty můžete zrušit krátkým stisknutím tlačítka pro vypnutí (7)

JAK PEČOVAT O VAŠI KONVICI

Vnější povrch konvice otřete měkkým vlhkým hadříkem nebo houbičkou. Odolná místa odstraňte hadříkem navlhčeným v jemném tekutém čisticím prostředku. Nepoužívejte abrazivní drátěnky nebo jiné drsné prostředky. Nikdy neponořujte spotřebič do vody ani jiných kapalin.

Čas od času, v závislosti na složení – a tvrdosti – vaší vody, se přirozeně vytvoří usazenina vodního kamene, která většinou ulpí na topném tělese, čímž se snižuje účinnost ohřevu. Množství usazeného vodního kamene a následně nutnost čištění nebo odvápnění do značné míry závisí na tvrdosti vody ve vašem regionu a četnosti používání konvice. Vodní kámen takto vzniklý není zdraví škodlivý. Ale pokud se dostane do vašeho nápoje, může dát vašemu nápoji práškovou chuť. Konvice by proto měla být pravidelně odvápnována, jak je uvedeno níže.

ODSTRAŇOVÁNÍ VODNÍHO KAMENE

Vodní kámen pravidelně odstraňujte. Při běžném používání minimálně 2× ročně.

1. Naplňte konvici na rysku „max“ roztokem jednoho dílu obyčejného octa a dvou dílů vody. Zapněte a počkejte, až se spotřebič automaticky vypne.
2. Ponechejte roztok působit přes noc.
3. Následující ráno roztok zlikvidujte.
4. Naplňte konvici čistou vodou až do značky MAX a opět ji nechte přejít varem.
5. Vylijte tuto převařenou vodu, čímž se odstraní i předchozí zbytky octa.
6. Vypláchněte konvici uvnitř čistou vodou.

TECHNICKÉ ÚDAJE

Objem: 1,7 l

Jmenovité napětí: 220-240 V~ 50-60 Hz

Jmenovitý příkon: 1850-2200 W

VYUŽITÍ A LIKVIDACE OBALŮ

Balící papír a vlnitá lepenka – odevzdat do sběrných surovin nebo kontejnerů na papír. Přebalová folie, PE sáčky, plastové obaly nebo díly – do sběrných kontejnerů na plasty.

LIKVIDACE VÝROBKU PO UKONČENÍ ŽIVOTNOSTI

Likvidace použitých elektrických a elektronických zařízení (platí v členských zemích EU a dalších evropských zemích se zavedeným systémem třídění odpadu)

Vyobrazený symbol na produktu nebo na obalu znamená, že s produktem by nemělo být nakládáno jako s domovním odpadem. Produkt odevzdejte na místo určené pro recyklaci elektrických a elektronických zařízení. Správnou likvidací produktu zabráníte negativním vlivům na lidské zdraví a životní prostředí. Recyklace materiálů přispívá k ochraně přírodních zdrojů. Více informací o recyklaci tohoto produktu Vám poskytne obecní úřad, organizace pro zpracování domovního odpadu nebo prodejní místo, kde jste produkt zakoupili. Nesprávná likvidace tohoto typu odpadu může být podle zákona předmětem udělení pokuty.



08/05



Tento výrobek splňuje požadavky směrnic EU o elektromagnetické kompatibilitě a elektrické bezpečnosti a problematiky těžkých kovů v elektrických a elektronických zařízeních. Dále pak splňuje příslušnou energetickou náročnost a požadavky pro přímý styk s potravinami.

Návod k obsluze je k dispozici na webových stránkách www.ecg-electro.eu.
Změna textu a technických parametrů vyhrazena.

OHUTUSJUHISED

Lugege hoolikalt läbi ja hoidke hilisemaks kasutamiseks alles!

Hoiautus: selles kasutusjuhendis sisalduvad ohutusmeetmed ja juhised ei hõlma kõiki võimalikke tingimusi ja olukordi, mis võivad ette tulla. Kasutaja peab mõistma, et ühessegi tootesse ei saa sisse ehitada selliseid tegureid, nagu terve mõistus, ettevaatlikkus ja hoolsus. Need peavad tagama selle seadme kasutajad ise. Me ei vastuta kahjude eest, mis on tekkinud vedamise ajal, ebaõige kasutamise, pinge kõikumise või seadme mis tahes osa muutmise või kohandamise tõttu.

Tulekahju ja elektrilöögi vältimiseks tuleb elektriseadmete kasutamisel pidada alati kinni põhilistest reeglitest, sealhulgas järgmistest.

1. Veenduge, et teie pistikupesa pingele vastab seadme sildil kirjas olevale pingele ning et pistikupesa on nõuetekohaselt maandatud. Pistikupesa peab olema paigaldatud vastavalt kehtivatele elektrotehnilistele standarditele.
2. Ärge kasutage veekeetjat, kui selle toitejuhe või pistik on kahjustunud, kui see ei tööta õigesti, kui see on maha kukkunud ja viga saanud või kui see on vette kukkunud. **Laske kõik parandustööd (sh toitejuhtme vahetamine) teha asjatundlikul töökojal! Ärge eemaldage seadme kaitsekatteid – see võib tuua kaasa elektrilöögi ohu!**
3. Elektrilöögi vältimiseks kaitske seadet otsese kokkupuute eest vee ja teiste vedelikega. Veekeetjat ega selle alust ei tohi panna vette ega teistesse vedelikesse!
4. Ärge kasutage veekeetjat õues ega niiskes keskkonnas. Ärge puudutage toitejuhet ega veekeetjat märgade kätega. Esineb elektrilöögi oht.
5. Soovitame mitte jätta veekeetjat järelevalveta, kui selle toitejuhe on ühendatud pistikupesast. Enne hooldamist eemaldage toitejuhe pistikupesast. Ärge eemaldage pistikut pistikupesast

- juhtmest tõmmates. Toitejuhtme pistikupesast eemaldamisel hoidke kinni pistikust.
6. Toitejuhe ei tohi puudutada kuumi detaile ega kulgeda üle teravate servade.
 7. Kasutage ainult originaalvarvikuid.
 8. Töötavat veekeetjat ei tohi jätta järelevalveta.
 9. Olge eriti ettevaatlik, kui kasutate veekeetjat laste läheduses. Laste kaitsmiseks elektrilöögi ohu eest ärge mitte kunagi laske lastel endal seadet käsitseda. Pange veekeetja alati lastele kättesaamatusse kohta. Hoolitsege selle eest, et toitejuhe ei ripuks alla.
 10. Ärge asetage veekeetjat kuumale pinnale ega kasutage seda soojusallikate (nt pliidiplaadi) läheduses.
 11. Kasutage veekeetjat ainult kooskõlas selles juhendis sisalduvate juhistega. Tootja ei vastuta kahjude eest, mille on põhjustanud selle seadme ebaõige kasutamine.
 12. Ärge avage veekeetja kaant siis, kui vesi keeb või on äsja keenud – aur võib käsi põletada.
 13. Vältige vee pritsimist LCD-ekraanile ja piirkondadele, kus asuvad juhtnupud. Kui vesi tungib seadmesse, võib see põhjustada tõrkeid seadme töös.
 14. See seade on mõeldud kasutamiseks kodus ja muudes sarnastes kohtades, näiteks:
 - kaupluste, kontorite ja muude töökohtade kööginurkades;
 - põllumajanduses;
 - hotellides, motellides ja muudes majutusasutustes;
 - ööbimisvõimalust ja hommikusööki pakkuvates asutustes.
 15. Seda seadet võivad kasutada vähemalt 8-aastased lapsed ning vähenenud füüsiliste, tajumis- või vaimsete võimetega või ebapiisavate kogemuste ja teadmistega isikud ainult siis, kui nende üle peetakse järelevalvet või kui neile on õpetatud seadme ohutut kasutamist ja nad mõistavad võimalikke ohte. Lapsed ei tohi seadmega mängida. Kasutaja poolset puhastamist

ja hooldamist võivad lapsed teha ainult siis, kui nad on vähemalt 8-aastased ja nende üle peetakse järelevalvet. Alla 8-aastaseid lapsi tuleb hoida seadmest ja selle toitejuhtmest eemal.

Hoolitsege selle eest, et veekeetja asuks tasasel pinnal, nii et see ei saa töötamisel ümber minna ega vigastusi põhjustada. Töö ajal ja vahetult pärast seda ärge puudutage veekeetja korpust ega kaant, sest välispinnad on kuumad. Ärge kasutage veekeetjat selliste esemete läheduses, mida aur võib kahjustada.

Do not immerse in water! – Ärge kastke vette!

Lastele esinevad OHUD. Lapsed ei tohi pakkematerjaliga mängida. Ärge lubage lastel kilekottidega mängida. Lämpumisoht.

TÄHELEPANU!

1. Pange veekeetjasse ainult külma vett.
2. Vee tase peab olema tähiste MIN ja MAX vahel!
Kui veekeetja liiga täis panna, võib kuum vesi välja pritsida.
3. Enne veekeetja aluselt eemaldamist lülitage veekeetja välja.
4. Veenduge alati, et kaas on korralikult suletud.
5. Alus ega veekeetja väliskülg ei tohi olla märg.
6. Kasutage veekeetjat alati koos komplektis oleva alusega.
7. Ärge lülitage sisse tühja veekeetjat.

Veekeetjat ei tohi kasutada muude vedelike kuumutamiseks peale vee! Mitte kunagi ärge pange veekeetjasse teepakikesi, lahtist teed ega muid segusid jookide valmistamiseks!

KASUTAMINE.

Enne esmakordset kasutamist võtke veekeetja pakendist välja ja peske seest tavapärase nõudepesuvahendiga. Seejärel loputage seda leige veega. Enne esmakordset kasutamist täitke veekeetja kuni maksimaalse taseme kriipsuni puhta ja külma joogiveega, lülitage sisse ja laske vesi keema minna. Seejärel valage vesi välja. Korrake seda vähemalt viis korda. Nii keedate te veekeetja korralikult läbi ja veel ei teki kõrvalmaitset. Kui te tunnete, et keedetud veel on kõrvalmaitse, soovitage läbikeetmist korrata. Samuti soovitage hoida tühja kannu 24 tundi avatuna. Kannu veega kokkupuutuval materjalil on tunnistus tervisele kahjutuse kohta. Võimalik kerge ebameeldiv

lõhn või kõrvalmaitse veekeetja esmakordsel kasutamisel pärast pakendist väljavõtmist on tavapärane nähe ning see ei ole aluseks pretensiooni esitamisele.

Tavapärane kasutamine

1. Asetage alus kuivale, siledale ja horisontaalsele pinnale ning ühendage pistik pistikupessa. Kannu asetamisel alusele lülitub toide automaatselt sisse.
2. Täitke veekeetja vähemalt kriipsuni „MIN“ (0,5 l).
3. Vajutage toitenuppu (7). Kõlab piiksatus ja kuumutamisinäidiku (4) kõrval olevas nupus süttib diodid, mis tähendab, et vett hakatakse kuumutama.
4. Ekraan (3) näitab veekeetjas oleva vee temperatuuri.
5. Kui vesi hakkab keema, siis signaallamp kustub ja kostab piiksatus.

Märkus. Kui soovite kuumutamise varem lõpetada, vajutage uuesti nuppu (7). Kostab kahekordne piiksatus ja kuumutamisinäidiku (4) signaallamp kustub.

Temperatuuri määramine ja hoidmine ilma vett 100 °C-ni kuumutamata

Kui soovite, et vee keetmine lõppeks pärast teie määratud temperatuuri saavutamist, asetage veekeetja alusele (8) ja valige temperatuuri reguleerimise nupu (6) korduva vajutamisega soovitud temperatuur (40 °C/55 °C/80 °C/90 °C). Seda temperatuuri kuvatakse ekraanil (3). Kohe, kui kostab piiksatus, hakkab veekeetja vett kuumutama. Pärast vee soovitud temperatuurini kuumutamist kostab kolm lühikest piiksatust ning seejärel lülitub veekeetjal 24 tunniks sisse temperatuuri hoidmise režiim. Temperatuuri hoidmise funktsioon on aktiivne, kui temperatuuri hoidmise näidiku (5) kõrval põleb diodid. Veekeetja hakkab vett uuesti kuumutama siis, kui selle temperatuur langeb 10 °C võrra.

Märkus. Temperatuuri hoidmise lõpetamiseks vajutage lühidalt toitenuppu (7).

Temperatuuri määramine ja hoidmine vee kuumutamisega 100 °C-ni

Kui soovite, et vesi kuumutataks kõigepealt 100 °C-ni ja seejärel hoiaks veekeetja teie valitud temperatuuri, asetage see alusele (8) ja valige temperatuuri reguleerimise nupu (6) korduva vajutamisega soovitud temperatuur (40 °C/55 °C/80 °C/90 °C). Seda temperatuuri kuvatakse ekraanil (3). Seejärel vajutage toitenuppu (7). Kostab piiksatus ja veekeetja hakkab vett kuumutama. Süttivad diodid kuumutamisinäidiku (4) ja temperatuuri hoidmise näidiku (5) juures. Pärast vee keema hakkamist jahtub see veekeetjas kuni teie valitud temperatuurini ja seejärel lülitatakse veekeetjal 24 tunniks sisse temperatuuri hoidmise režiim. Temperatuuri hoidmise funktsioon on aktiivne, kui temperatuuri hoidmise näidiku (5) kõrval põleb diodid. Veekeetja hakkab vett uuesti kuumutama siis, kui selle temperatuur langeb 10 °C võrra.

Märkus. Temperatuuri hoidmise lõpetamiseks vajutage lühidalt toitenuppu (7).

VEEKEETJA HOOLDAMINE

Pühkige veekeetja välispinda pehme niiske lapi või käsna. Tõrksa mustuse eemaldamiseks niisutage lappi leebetoimelises vedelas puhastusvahendis. Ärge kasutage abrasiivseid traatkäsnu ega muid karedaid vahendeid. Mitte kunagi ärge asetage seadet vette ega teistesse vedelikesse. Aja jooksul tekib sõltuvalt vee koostisest ja karedusest katlakivi. Enamasti koguneb see küttekehale ja vähendab nii kuumutamise tõhusust. Katlakivi kogus ja puhastamise või katlakivi eemaldamise sagedus sõltuvad oluliselt teie piirkonna vee karedusest ja veekeetja kasutamise sagedusest. Nii

tekkinud katlakivi ei kahjusta tervist, kuid teie joogi sisse sattudes võib see tunduda pulbrina. Seetõttu tuleb veekeetjast regulaarselt katlakivi eemaldada, nagu seda on kirjeldatud allpool.

KATLAKIVI EEMALDAMINE

Eemaldage katlakivi regulaarselt, tavapärasel kasutamisel vähemalt 2 korda aastas.

1. Täitke veekeetja kuni maksimaalse taseme kriipsuni lahusega, mis koosneb ühest osast tavalisest äädikast ja kahest osast veest. Lülitage seade sisse ja oodake, kuni see automaatselt välja lülitub.
2. Jätke lahus ööseks toimima.
3. Järgmisel hommikul valage lahus välja.
4. Täitke veekeetja kuni maksimaalse taseme kriipsuni puhta veega ja laske sellel jälle keema minna.
5. Valage see keedetud vesi välja, et eemaldada ka veekeetjas olevad äädikajäägid.
6. Loputage veekeetja seest puhta veega üle.

TEHNILISED ANDMED

Maht: 1,7 l

Nimipinge: 220–240 V~, 50–60 Hz

Nimivõimsus: 1850–2200 W

PAKENDITE KASUTAMINE JA KÕRVALDAMINE

Pakkepaber ja lainepapp tuleb anda jäätmekogumispunkti või panna paberikonteinerisse. Pakkekile, polüetüleenkotid, plastpakendid ja -detailid tuleb panna plastikonteinerisse.

TOOTE KÕRVALDAMINE PÄRAST KASUTUSAJA LÕPPU

Kasutatud elektri- ja elektroonikaseadmete kõrvaldamine (kehtib ELi liikmesriikides ja teistes Euroopa riikides, kus on loodud jäätmete sortimise süsteem)

See sümbol tootel või pakendil tähendab, et toodet ei tohi visata ära koos olmejäätmetega. Andke toode ära elektri- ja elektroonikaseadmete taaskasutamiseks mõeldud kohta. Toote õige kõrvaldamisega väldite kahjulikku mõju inimeste tervisele ja keskkonnale. Materjalide taaskasutamine aitab kaasa looduslike tooraineallikate säästmisele. Täpsemat teavet selle toote taaskasutamise kohta annab teile kohalik omavalitsus, olmejäätme käitleja või müügikoht, kust te toote ostsite. Seda tüüpi jäätmete vale kõrvaldamise eest võib õigusaktidega olla kehtestatud trahv.

See toode vastab ELi õigusaktidele, mis käsitlevad elektromagnetilist ühilduvust, elektriõhutusust ning raskemetallide kasutamist elektri- ja elektroonikaseadmetes. Samuti vastab see energiamärgisele ja toiduainetega kokkupuutumisel esitatavatele nõuetele.

Kasutusjuhend on saadaval veebisaidil www.ecg-electro.eu.

Teksti ja tehnilisi andmeid võidakse muuta.



SIGURNOSNE UPUTE

Pažljivo pročitajte i sačuvajte za buduću uporabu!

Upozorenje: Mjere sigurnosti i upute u ovom priručniku ne pokrivaju sve moguće uvjete i situacije koje se mogu dogoditi. Korisnik mora razumjeti da su zdrav razum, briga i marljivost čimbenici koji se ne mogu ugraditi ni u jedan od proizvoda. Te čimbenike stoga mora osigurati korisnik (korisnici) koji koriste i rukuju ovim uređajem. Ne snosimo odgovornost za štetu nastalu tijekom transporta, zbog nepravilne uporabe, variranja napona ili preinake ili modifikacije bilo kojeg dijela opreme.

Kako biste smanjili rizik od požara, strujnog udara, uvijek se treba pridržavati osnovnih mjera opreza pri korištenju električne opreme, uključujući i sljedeće:

1. Provjerite odgovara li napon u Vašoj utičnici naponu navedenom na tipskoj etiketi uređaja te da li je utičnica ispravno uzemljena. Utičnica mora biti ugrađena sukladno važećem električnom standardu ČSN.
2. Nemojte koristiti kuhalo za vodu ako je kabel za napajanje ili utikač oštećen, ako ne radi ispravno, ako je pao na tlo i oštećen ili pao u vodu. **Sve popravke, uključujući i zamjenu napajanja, neka obavlja specijalizirani servis! Ne skidajte zaštitne poklopce uređaja, postoji opasnost od strujnog udara!**
3. Zaštitite uređaj od izravnog kontakta s vodom i drugim tekućinama kako biste spriječili strujni udar. Ne uranjajte kuhalo za vodu ili njegovo postolje u vodu ili u bilo koju drugu tekućinu!
4. Ne koristite kuhalo za vodu na otvorenom ili u vlažnom okruženju. Ne dirajte električni kabel ili kuhalo za vodu mokrim rukama. Postoji opasnost od strujnog udara.
5. Preporučujemo da kuhalo za vodu s uključenim kabelom za napajanje u utičnici ne ostavljate bez nadzora. Prije održavanja izvucite kabel za napajanje iz utičnice. Nemojte izvlačiti utikač iz

utičnice držeći ga za kabel. Kabel izvlačite iz utičnice držeći ga za utikač!

6. Električni kabel ne smije dodirivati vruće dijelove ili prelaziti preko oštih rubova.
7. Koristite samo originalnu opremu.
8. Kuhalo za vodu ne smije se ostaviti bez nadzora tijekom rada.
9. Oprez prilikom uporabe kuhala ako su u blizini prisutna djeca. Nikada ne dopustite djeci da rukuju uređajem kako biste ih zaštitili od opasnosti od strujnog udara. Kuhalo za vodu postavite samo na takvo mjesto da djeca nemaju pristup uređaju. Vodite računa da kabel ne visi.
10. Ne stavljajte kuhalo za vodu na vruću površinu ili blizu izvora topline (primjerice, ploče za kuhanje).
11. Kuhalo koristite samo sukladno uputama u ovom priručniku. Proizvođač ne odgovara za štete nastale zbog nepravilne uporabe ovog uređaja.
12. Ne pokušavajte otvoriti poklopac dok voda ključa ili ubrzo nakon što voda proključa. Postoji opasnost da Vam para opeče ruke.
13. Izbjegavajte prskanje vode po LCD panelu i područjima gdje se koriste tipke za upravljanje. Ako voda uđe u uređaj, može uzrokovati nepravilan rad.
14. Ovaj uređaj je namijenjen za korištenje u kući i sličnim područjima kao što su:
 - čajne kuhinje u trgovinama, uredima i drugim radnim mjestima;
 - aparati koji se koriste u poljoprivredi;
 - uređaji koje gosti koriste u hotelima, motelima i drugim stambenim prostorima;
 - aparati koji se koriste u objektima za noćenje i doručak.
15. Ovaj aparat mogu koristiti djeca od 8 godina i starija te osobe sa smanjenim psihofizičkim ili mentalnim sposobnostima ili nedostatkom iskustava i znanja samo kada su pod nadzorom ili

ako su bile upućene o načinu sigurnog korištenja aparata i ako su svjesne potencijalne opasnosti. Djeca se ne smiju igrati s aparatom. Čišćenje i održavanje koje bi trebao raditi korisnik ne smiju obavljati djeca osim ako su starija od 8 godina i ako su pod nadzorom. Djeca mlađa od 8 godina se moraju držati podalje od aparata i njegovog priključka.

Pobrinite se da je kuhalo za vodu postavljeno na ravnu površinu kako biste spriječili da se prevrne i ozljedi korisnika tijekom kuhanja. Ne dirajte vanjsko kućište kuhala ili poklopac tijekom ili nakon kuhanja. Njegove vanjske površine su vruće. Nemojte koristiti uređaj u blizini predmeta koji se mogu oštetiti parom.

Do not immerse in water! - Ne uranjajte u vodu!

OPASNOST za djecu: Djeca se ne smiju igrati s ambalažom. Ne dopustite djeci da se igraju plastičnim vrećicama. Opasnost od gušenja.

UPOZORENJE

1. Za punjenje kuhala koristite samo hladnu vodu.
2. Razina mora biti između znakova "MIN" i "MAX"!
Ako je kuhalo prekomjerno napunjeno, može doći do prskanja vrele vode.
3. Isključite kuhalo za vodu prije nego što ga skinete sa postolja.
4. Uvjerite se da je poklopac dobro zatvoren.
5. Postolje i vanjska strana kuhala ne smiju biti mokri.
6. Kuhalo koristite zajedno s originalnim postoljem.
7. Nikada ne uključujte kuhalo ako je prazno.

Kuhalo se ne smije koristiti za grijanje neke druge tekućine osim vode! Nikada nemojte stavljati vrećice čaja, čaj u rinfuzi ili bilo koje druge sastojke za pripremu pića u kuhalo za vodu!

UPUTE ZA UPORABU:

Prije prve uporabe kuhala za vodu, operite ga iznutra običnim deterdžentom za pranje posuđa. Zatim ga saperite mlačnom vodom. Prije prve uporabe napunite kuhalo čistom, hladnom pitkom vodom do maksimalne razine, uključite ga i zakuhajte vodu. Zatim izlijte vodu i ponovite postupak najmanje pet puta. Ovim postupkom kuhalo će prokuhati kako treba i riješit ćete se svakog okusa. Ako osjetite miris prokuhane vode, preporučujemo da ponovite postupak. Druga preporuka je ostaviti prazan čajnik otvorenim 24 sata. Materijal kuhala koji dolazi u dodir s vodom ima zdravstveni certifikat. Svaki blagi "miris" ili "miris" tijekom prve uporabe nakon vađenja iz ambalaže kuhala je uobičajen i ne bi trebao biti razlogom za pritužbu na uređaj.

Osnovni način rada

1. Postavite postolje na suhu, glatku i vodoravnu površinu i uključite utikač u utičnicu za elektronapajanje. Kad stavite kuhalo za vodu u postolje, napajanje se automatski uključuje.
2. Napunite kuhalo vodom, najmanje do oznake "MIN" (0,5 l).
3. Kratko pritisnite tipku za uključivanje (7), oglasit će se zvučni signal, a tipka pored indikatora ključanja (4) će zasvijetliti diodu što znači da će voda početi ključati.
4. Na zaslonu (3) možete vidjeti trenutačnu temperaturu vode u kuhalu.
5. Kad voda počne ključati, svjetlo se gasi i čuje se zvučni signal.

Napomena: Ako želite prekinuti kuhanje, ponovno pritisnite gumb (7). Čuje se dvostruki zvuk i dioda za oznaku ključanja (4) se gasi.

Postavljanje i održavanje temperature kuhanja bez ključale vode na 100 °C:

Ako želite prekinuti kuhanje vode kada se postigne željena temperatura, stavite kuhalo za vodu na postolje (8) i postavite željenu temperaturu (40 °C / 55 °C / 80 °C / 90 ° pritisnjenjem regulatora temperature više puta - tipka (6), ova temperatura se prikazuje na zaslonu (3). Čim se javi zvučni signal, kuhalo za vodu počinje ključati. Nakon ključanja na željenoj temperaturi, kuhalo za vodu 3 puta kratko pišti, a zatim kuhalo za vodu pokreće funkciju za održavanje temperature tijekom naredna 24 sata. Funkcija održavanja topline je aktivna kada zasvijetli LED pored indikatora održavanja topline (5). Kuhalo za vodu ponovno počinje kuhati vodu kada odabrana temperatura padne za 10 °C.

Napomena: Održavanje temperature možete prekinuti kratkim pritiskom na tipku za uključivanje/isključivanje (7).

Postavljanje i održavanje temperature kuhanja s ključalom vodom na 100 °C:

Ako želite da voda prvo ključa na 100 °C, a zatim da se održava željena temperatura, stavite kuhalo za vodu na postolje (8) i odaberite željenu temperaturu (40 °C / 55 °C / 80°C / 90 °C) pritisnjenjem regulatora temperature - tipke (6) više puta. Ova temperatura se prikazuje na zaslonu (3). Zatim pritisnite tipku za uključivanje (7), oglasit će se zvučni signal i kuhalo za vodu će početi kuhati. Upaliće se LED diode pored indikatora vrenja (4) i indikatora održavanja temperature (5). Nakon ključanja vode, temperatura vode u kotliću će pasti na temperaturu koju ste odabrali, a zatim će kuhalo za vodu pokrenuti funkciju održavanja temperature tijekom narednih 24 sata. Funkcija održavanja topline je aktivna kada zasvijetli LED pored indikatora održavanja topline (5). Kuhalo za vodu ponovno počinje kuhati vodu kada odabrana temperatura padne za 10 °C.

Napomena: Održavanje temperature možete prekinuti kratkim pritiskom na tipku za uključivanje/isključivanje (7).

KAKO ČUVATI VAŠE KUHALO

Obrišite vanjsku stranu uređaja mekanom i vlažnom krpom ili spužvom. Uklonite tvrdokorne ostatke krpom navlaženom blagim tekućim deterdžentom. Ne koristite abrazivne žičane spužve ili druga agresivna sredstva. Nikada ne uranjajte uređaj u vodu ili u druge tekućine.

S vremena na vrijeme, ovisno o sastavu - i tvrdoći - Vaše vode, prirodno se stvaraju naslage kamenca koje se obično lijepe za radiator, smanjujući učinkovitost grijanja. Količina taloženog kamenca, a time i potreba za čišćenjem ili uklanjanjem kamenca u velikoj mjeri ovisi o tvrdoći vode u Vašoj regiji i od učestalosti korištenja kuhala za vodu. Tako formirani kamenac nije štetan po zdravlje. Ali ako uđe u Vaše piće, može Vašem napitku dati okus kamenog praha. Stoga iz kuhala za vodu treba redovito uklanjati kamenac kao što je opisano u nastavku.

UKLANJANJE VODENOG KAMENCA

Vodeni kamenac redovito uklanjajte. Prilikom normalne uporabe najmanje dva puta godišnje.

1. Napunite kuhalo za vodu do oznake "Max" otopinom jednog dijela običnog octa i dva dijela vode.

Uključite i pričekajte da se aparat ponovno automatski isključi.

2. Ostavite otopinu djelovati preko noći.

3. Otopinu izbacite sljedećeg jutra.

4. Napunite kuhalo čistom vodom do oznake "Max" i pustite da ponovno prokuha.

5. Izlijte ovu prokuhanu vodu koja će ukloniti prijašnje ostatke octa.

6. Isperite kuhalo iznutra čistom vodom.

TEHNIČKI PODACI

Obim: 1,7 l

Nominalni napon: 220 - 240 V~ 50 - 60 Hz

Nazivna ulazna snaga: 220 - 240 V~ 50 - 60 Hz 1850-2200 W

UPORABA I ODLAGANJE AMBALAŽE

Papir za pakiranje i valoviti karton – predati firmama za prikupljanje sirovina ili posuda za papir. Folije za omatanje, PE vrećice, plastična ambalaža ili dijelovi - za sabirne posude za plastiku.

LIKVIDACIJA PROIZVODA NAKON ISTEKA VIJEKA TRAJANJA

Zbrinjavanje stare električne i elektroničke opreme (vrijedi u zemljama članicama EU i ostalim europskim zemljama s uspostavljenim sustavom razvrstavanja otpada).

Simbol prikazan na proizvodu ili na pakiranju znači da se proizvod ne smije zbrinjavati kao kućni otpad. Odložite proizvod na mjesto za recikliranje električne i elektroničke opreme. Pravilnim odlaganjem ovog proizvoda pomoći ćete u sprječavanju potencijalnih negativnih posljedica za okoliš i zdravlje ljudi. Reciklaža materijala doprinosi zaštiti prirodnih izvora. Detaljnije informacije o reciklaži ovog proizvoda dobit ćete od mjesnog ureda, tvrtke za likvidaciju kućnog otpada ili u prodavaonici u kojoj ste proizvod kupili. Neproписno odlaganje ove vrste otpada može biti podložno zakonskim kaznama.



08/05



Ovaj proizvod je sukladan zahtjevima EU direktiva o elektromagnetskoj

kompatibilnosti i električnoj sigurnosti te problemu teških metala u električnoj i elektroničkoj opremi. Nadalje, ispunjava relevantne energetske zahtjeve i zahtjeve za izravan kontakt s hranom.

Upute za uporabu ćete naći na internet stranicama www.ecg-electro.eu.

Tekst i tehnički parametri podložni su promjenama.

DROŠĪBAS NOTEIKUMI

Izlasiet uzmanīgi un saglabājiet vajadzībai nākotnē!

Brīdinājums: Drošības apsvērumi un noteikumi, iekļauti šajā instrukcijā, neatspoguļo visus iespējamus apstākļus un situācijas, kādas var notikt. Lietotājam jāsaprot, ka faktors, ko nav iespējams iekļaut nevienā ierīcē, ir veselais saprāts, uzmanība un rūpīgums. Šos faktoros jānodrošina lietotājam, kas izmanto un apkalpo šo ierīci. Mēs neesam atbildīgi par bojājumiem, kas radušies pārvadāšanas, nepareizas lietošanas, sprieguma maiņu vai ierīces labošanu vai daļu maiņu rezultātā.

Lai neizceltos ugunsgrēks vai elektrošoks, lietojot elektriskās ierīces, vienmēr vajadzētu ievērot pamatnoteikumus, ieskaitot sekojošos:

1. Pārlicinieties, ka spriegums jūsu kontaktligzdā atbilst spriegumam, kas ir rakstīts uz ierīces, un ka kontaktligzda ir iezemēta. Kontakligzdai vajadzētu būt pieslēgtai, atbilstoši elektrotehniskajām normām.
2. Nelietojiet tējkannu, ja tās vads vai kontaktdakša ir bojāti, ja tā nedarbojas pareizi, ja tā ir bojāta pēc kritiena vai ir iekritusi ūdenī. **Visus labojumus, ieskaitot strāvas pievadu, uzticiet profesionālam servisam. Necentieties atvērt ierīces iekšpusi, iespējams elektrošoka risks!**
3. Sargājiet ierīci no tieša kontakta ar ūdeni vai citiem šķidrumiem, lai izvairītos no elektrošoka. Tējkannu un tās pamatni nedrīkst iemērt ūdenī vai citā šķidrumā!
4. Ierīce nav paredzēta lietošanai ārā vai mitrā vidē. Neskarieties pie strāvas vada vai tējkannas ar mitrām rokām. Iespējams elektrošoka risks.
5. Iesakām neatstāt tējkannu ar strāvas vadu iespraustu kontaktligzdā bez uzraudzības. Pirms tīrīšanas izvelciet vadu no kontaktligzdas. Kontaktdakšu nevelciet no kontaktligzdas, turot aiz vada. Vadu atvienojiet no kontaktligzdas, turot aiz kontaktdakšas.

6. Strāvas pievada vads nedrīkst pieskarties nekam karstam, kā arī nedrīkst vest pāri asām malām.
7. Izmantojiet tikai oriģinālās sastāvdaļas.
8. Tējkannu nevajadzētu atstāt bez uzraudzības, kad tā darbojas.
9. Esiet īpaši uzmanīgi, ja lietojat tējkannu bērnu tuvumā. Nekad neļaujiet bērniem pašiem rīkoties ar tējkannu, lai viņus pasargātu no elektrošoka riska. Novietojiet tējkannu bērniem nepieejamā vietā. Pārliedziniet, ka strāvas vads nekarājas lejup.
10. Nenovietojiet tējkannu uz karstas virsmas, kā arī nelietojiet to siltuma avotu tuvumā (piem., plīts virsma).
11. Lietojiet tējkannu tikai saskaņā ar šeit norādītajiem noteikumiem. Ražotājs neuzņemas atbildību par bojājumiem, kas šīs radušies nepareizas lietošanas rezultātā.
12. Vārīšanās laikā, vai tūlīt pēc tam, kad ūdens uzvārījiet, nemēģiniet atvērt vāku, lai neapdedzinātu roku ar tvaikiem.
13. Izvairieties no LCD paneļa vai vietu, kur atrodas taustiņi, apšļakstīšanas. Ja ūdens iekļūst ierīcē, tas var izraisīt tās nestandarta darbošanos.
14. Šī ierīce ir domāta lietošanai mājās vai līdzīgā vidē, kā piemēram:
 - virtuves veikalos, birojos vai citās darbavietās
 - ierīces, lietotas lauksaimniecībā
 - ierīces, ko lieto viesi viesnīcās, moteļos un citās nakšņošanas vietās
 - ierīces, lietotas uzņēmumos, kas nodrošina naktsguļu un brokastis
15. Šo ierīci var lietot bērni no 8 gadu vecuma un vecākas personas ar pazeminātām fiziskajām, uztveres un prāta spējām vai pieredzes un prasmju trūkumu, ja tie tiek pieskatīti vai pirms tam bijuši instruēti par drošu ierīces lietošanu un apzinās iespējamos riskus. Bērni ar ierīci nedrīkst spēlēties. Tējkannas tīrīšanu un aprūpi, ko veic tās lietotājs, nedrīkst veikt bērni, kas nav sasnieguši 8 gadu vecumu un netiek pieskatīti. Bērniem, kas

jaunāki par 8 gadiem, jāuzturas drošā attālumā no ierīces un tās strāvas pievada.

Pārliecinieties, ka ierīce atrodas uz līdzenas virsmas, lai vārīšanas laikā tā nevarētu apgāzties un kādu savainot. Ierīces darbošanās laikā un pēc vārīšanas beigām neaiztieciēt tās ārpusi un vāku, ārējās virsmas ir karstas. Nelietojiet ierīci tādu priekšmetu tuvumā, kuriem varētu radīt bojājumus tvaiki.

Nemērkst ierīci ūdenī!

RISKS bērniem: bērni nedrīkst spēlēt ar iepakojuma materiālu. Neļaujiet bērniem spēlēt ar plastmasas maisiņiem. Nosmakšanas draudi.

ZMANĪBU!

1. Piepildot tējkannu, izmantojiet tikai aukstu ūdeni.
2. Ūdens līmenim jābūt starp atzīmēm MAX. un MIN.!
Tējkannas pārpildīšanas gadījumā var izšļakstīties karsts ūdens.
3. Pirms tējkannas noņemšanas no pamatnes, izslēdziet to.
4. Vienmēr pārliecinieties, ka vāks ir labi aizvērtss.
5. Tējkannas pamatne un ārpusē nekad nedrīkst būt mitras.
6. Tējkannu vienmēr izmantojiet ar pievienoto pamatni.
7. Neslēdziet iekšā tējkannu, ja tā ir tukša.

Tējkannu drīkst izmantot tikai ūdens uzsildīšanai, nekādu citu šķidrumu! Nekad nelieciēt tējkannā tējas maisījumus, beramās tējas vai jebkādu citus maisījumus dzērienu taisīšanai!

LIETOŠANAS INSTRUKCIJA

Pirms pirmās lietošanas reizes tējkannu izņemiet un tās iekšpusi izmazgājiet ar parastu trauku mazgāšanas līdzekli. Pēc tam to izskalojiet ar remdenu ūdeni. Pirms pirmās lietošanas reizes piepildiet tējkannu ar tīru, aukstu dzeramo ūdeni līdz "max" atzīmei, ieslēdziet tējkannu un uzvāriet ūdeni. Pēc tam ūdeni izlejiet un vismaz piecas reizes procesu atkārtojiet. Šādi jūs tējkannu kārtīgi novārsiet un tiksiet valjā no iespējamās piegaršas. Ja jums liekas, ka vārītā ūdenī jūtat piegaršu, iesakām procesu atkārtot. Nākamais ieteikums ir tukšu tējkannu atstāt atvērtu 24 stundas. Tējkannas materiālam, kas saskaras ar ūdeni, ir apliecinājums par tā nekaitīgumu veselībai.

Iespējamais mērens nepatīkams aromāts vai piegārša pēc pirmās tējkannas lietošanas reizes tūlīt pēc tās izpakošanas ir normāla parādība, un tam nevajadzētu būt iemeslam, lai tējkannu atgrieztu.

Parasta lietošana:

1. Novietojiet pamatni uz sausas, gludas un līdzenas virsmas, ievietojiet kontaktdakšu kontakligzdā. Pēc tējkannas novietošanas uz pamatnes tā automātiski pieslēgsies strāvai.
2. Piepildiet tējkannu ar ūdeni vismaz līdz atzīmei "MIN" (0,5l)
3. Īsi piespiediet ieslēgšanas pogu (7), jūs dzirdēsiet pīkstieni, un blakus vārīšanās indikatoram (4) ieslēgsies diode, kas nozīmē, ka ūdens sāks vārīties.
4. Uz displeja (3) varat redzēt aktuālo ūdens temperatūru.
5. Tiklīdz ūdens sāk vārīties, kontrollampīņa izslēdzas un ir dzirdams pīkstiens.

Piezīme: Ja jūs vēlaties beigt vārīšanu, atkārtoti nospiediet pogu (7). Būs dzirdams divkārsš pīkstiens un izslēgsies vārīšanas indikatora kontrollampīņa.

Temperatūras uzstādīšana un uzturēšana bez ūdens uzvārīšanas līdz 100°C:

Ja jūs vēlaties, lai ūdens vārīšana tiktu pārtraukta pēc jūsu izvēlētas temperatūras sasniegšanas, tējkannu nolieciet uz pamatnes (8) un, atkārtoti spiežot temperatūras iestatīšanas taustiņu (6), izvēlieties vajadzīgo temperatūru 40 °C/55 °C/80 °C /90°C),

izvēlēta temperatūra ir redzama uz displeja (3). Tiklīdz dzirdams pīkstiens, tējkanna sāk vārīt. Pēc ūdens uzvārīšanas līdz jūsu izvēlētajai temperatūrai, tējkanna 3x nopīkstēs, pēc tam tējkanna ieslēgs siltuma uzturēšanas funkciju uz 24h. Siltuma uzturēšanas funkcija ir aktīva, kamēr spīd diode blakus temperatūras uzturēšanas indikatoram (5)

Tējkanna uzvārīs ūdeni atkārtoti, ja uzstādītā temperatūra kritīsies par 10°C.

Piezīme: Temperatūras uzturēšanas funkciju jūs varat izslēgt, īsi piespiežot izslēgšanas pogu (7).

Temperatūras iestādīšana un uzturēšana ar ūdens vārīšanu līdz 100°C

Ja jūs vēlaties, lai ūdens vispirms uzvārītos uz 100°C un pēc tam uzturētu Jūsu izvēlēto temperatūru, tējkannu novietojiet uz pamatnes (8) un, atkārtoti spiežot temperatūras iestatīšanas taustiņu (6), izvēlieties vajadzīgo temperatūru (40 °C/55 °C/80 °C /90 °C), izvēlēta temperatūra ir redzama uz displeja (3). Pēc tam nospiediet ieslēgšanas taustiņu (7), atskanēs pīkstiens un tējkanna sāks vārīt. Ieslēgsies diodes blakus vārīšanas indikatoram (4) un temperatūras uzturēšanas indikatoram (5).

Pēc ūdens uzvārīšanas ūdens temperatūra tējkannā kritīsies līdz jūsu izvēlētajai temperatūrai, pēc tam tējkanna sāks temperatūras uzturēšanas funkciju 24 stundu garumā. Siltuma uzturēšanas funkcija ir aktīva, kamēr spīd diode temperatūras uzturēšanas indikatoram (5). Tējkanna uzvārīs ūdeni atkārtoti, ja uzstādītā temperatūra kritīsies par 10°C.

Piezīme: Temperatūras uzturēšanu jūs varat atcelt, īsi piespiežot izslēgšanas pogu (7)

KĀ RŪPĒTIES PAR JŪSU TĒJKANNU

Ārējo tējkannas virsmu tīriet ar mīkstu, mitru drānu vai sūkli. Izturīgus traipus notīriet ar drānu, samitrinātu ar šķidru, saudzīgu tīrīšanas līdzekli. Neizmantojiet abrazīvus trauku skrāpjus vai citus nesaudzīgus līdzekļus. Nekad negremdējiet tējkannu ūdenī vai citos šķidrumos.

Laiku pa laikam, atkarībā no ūdens sastāva un cietības, dabiski izveidosies katlakmens nogulsnes, kas visbiežāk veidojas uz sildelementa, kas samazina sildīšanas efektivitāti.

Katrlakmens nogulšņu daudzums un ar to saistītā vajadzība tējkannu tīrīt vai atkalķot lielā mērā ir saistīta ar ūdens cietības pakāpi jūsu reģionā un tējkannas izmantošanas biežumu. Šādā veidā radiess katrlakmens nav kaitīgs veselībai. Bet, nokļūstot jūsu dzērienā, var piešķirt tam kaļķainu garšu. Tādēļ vēlams tējkannu regulāri atkalķot, kā aprakstīts zemāk.

ATKAĻĶOŠANA

Regulāri veiciet tējkannas atkalķošanu. Pie parastas lietošanas vismaz 2x gadā.

1. Piepildiet tējkannu līdz "max" atzīmei ar ūdens un galda etiķa šķīdumu attiecībā 2:1 (2 daļas ūdens, 1 daļa etiķa) ieslēdziet un pagaidiet, kamēr ierīce automātiski izslēdzas.
2. Ļaujiet šķīdumam iedarboties pa nakti.
3. Nākamajā rītā šķīdumu likvidējiet.
4. Piepildiet tējkannu ar tīru ūdeni līdz atzīmei MAX un vēlreiz uzvāriet ūdeni.
5. Izlejiet šo vārīto ūdeni, tādējādi izlejot arī iepriekšējās etiķa paliekas.
6. Izskalojiet tējkannas iekšpusi ar tīru ūdeni.

TEHNISKĀ INFORMĀCIJA

Tilpums: 1,7 l

Nominālais spriegums: 220–240 V~ 50-60 Hz

Nominālā jauda: 1850–2200 W

IEPAKOJUMA IZMANTOŠANA UN LIKVIDĒŠANA

Ietinamais papīrs un gofrētais kartons – iesniegt šķirošanas punktā vai izmest papīra konteinerā. Ietinamā plēve, PE maisiņi, plastmasas iepakojumi vai daļas – konteineros, paredzētos plastmasas atkritumiem.

IERĪCES LIKVIDĒŠANA PĒC TĀS KALPOŠANAS BEIGĀM

Izmantoto elektrisko un elektronisko ierīču likvidēšana (attiecas uz ES dalībvalstīm un citām Eiropas valstīm ar ieviestu atkritumu šķirošanas sistēmu)

Uz ierīces vai iepakojuma attēlotais simbols nozīmē, ka ar ierīci nevajadzētu apieties kā ar sadzīves atkritumiem. Ierīci nododiet vietā, kas paredzēta elektrisko un elektronisku ierīču otrreizējai pārstrādei. Pareizi likvidējot ierīci jūs nepieļaujat kaitīgu ietekmi uz cilvēku veselību un apkārtējo vidi. Materiālu otrreizēja pārstrāde palīdz sargāt dabas resursus. Vairāk informācijas par šīs ierīces otrreizēju pārstrādi jums sniegs vietējā pašvaldība, sadzīves atkritumu pārstrādes organizācija vai vieta, kur šo izstrādājumu iegādājāties. Nepareiza šī tipa atkritumu likvidēšana var tikt sodīta, atbilstoši likumam.

Šī ierīce atbilst ES normu prasībām par elektromagnētisko saderību un elektrisko drošību, kā arī smago metālu problemātikai elektriskajās un elektroniskajās ierīcēs. Tālāk ir saskaņā ar atbilstošo enerģētisko patēriņu un prasībām par tiešu kontaktu ar pārtiku.

Lietošanas instrukcija ir pieejama arī mājaslapā

www.ecg-electro.eu.

Teksts un tehniskie parametri var atšķirties



08/05



SAUGOS INSTRUKCIJOS

Atidžiai instrukcijas perskaitykite ir išsaugokite naudojimui ateityje!

Įspėjimas: Šiame vadove pateiktos saugos priemonės ir instrukcijos neapima visų galimų sąlygų ir situacijų, kurios gali atsirasti. Vartotojas turi suprasti, kad sveikas protas, atidumas ir kruopštumas yra veiksniai, kurių negalima įtraukti į jokią gaminį. Todėl šiuos veiksnius turi užtikrinti vartotojas(-ai), naudojantis ir valdantis įrangą. Mes neatsakome už žalą, padarytą transportuojant, netinkamai naudojant, įtampos svyravimus arba bet kurios įrangos dalies pakeitimą ar modifikavimą.

Siekiant išvengti gaisro ar elektros smūgio pavojų, naudojant elektros įrangą visada reikia laikytis pagrindinių atsargumo priemonių, įskaitant šias:

1. Prieš jungdami prietaisą patikrinkite ar ant virdulio nurodyta įtampa atitinka vietos maitinimo tinklo įtampą ir ar yra įžemintas. Kištukas turi būti instaliuotas pagal taikomus elektrotechninius ČSN standartus.
2. Nenaudokite virdulio, jei yra pažeistas maitinimo laidas arba kištukas, jei jis neveikia tinkamai, nukrito ant žemės yra sugadintas arba buvo įkritęs į vandenį. **Bet kokį remontą, įskaitant ir aitinimo laido keitimą, patikėkite profesionaliam servisui! Nenuimkite apsauginių prietaiso dangtelių, kyla elektros smūgio pavojus!**
3. Kad neįvyktų elektros smūgis, saugokite prietaisą nuo tiesioginio sąlyčio su vandeniu ir kitais skysčiais. Draudžiama virdulį dėti į vandenį ar kitus skysčius!
4. Nenaudokite virdulio lauke arba drėgnoje aplinkoje. Nelieskite maitinimo laido ar virdulio šlapiomis rankomis. Kyla elektros smūgio pavojus.
5. Rekomenduojame nepalikti virdulio be priežiūros, kurio maitinimo laidas įjungtas į lizdą. Prieš atlikdami techninę

priežiūrą, ištraukite maitinimo laidą iš kintamosios srovės lizdo. Netraukite kištuko iš lizdo už laido. Ištraukite kabelį iš lizdo laikydami už kištuko.

6. Maitinimo laido negalima dėti ant karštų paviršių nei ant aštrių briaunų.
7. Naudokite tik originalius priedus.
8. Nepalikite įjungto virdulio be priežiūros.
9. Būkite ypač atsargūs, jei naudojate virdulį arti vaikų. Niekada neleiskite vaikams patiems naudoti prietaisą, kad apsaugotumėte juos nuo elektros smūgio pavojaus. Virdulį laikykite vaikams nepasiekiamoje vietoje ir įsitikinkite, kad virdulio maitinimo laidas nėra nuleistas.
10. Nedėkite virdulio ant karštų paviršių ir nenaudokite arti šilumos šaltinių (pvz. viryklės kaitlentės).
11. Prietaisą naudokite tik pagal šiame vadove nurodytas instrukcijas. Gamintojas neatsako už žalą, susidariusią dėl netinkamo prietaiso naudojimo.
12. Kai vanduo verda arba tuoj pat po užvirimo nebandykite atidaryti dangtelio, nes garai gali nuplikyti ranką.
13. Saugokite, kad vanduo neužtikštų ant LCD ekrano ir klavišų. Jeigu į prietaiso vidų pateks vanduo, gali sukelti nestandartinį veikimą.
14. Prietaisas skirtas naudoti buityje ir panašiose patalpose, pvz.:
 - parduotuvių, kanceliarijų ir kitų darbuotojų virtuvėse;
 - panašiose patalpose žemės ūkyje;
 - svečių kambariuose viešbučiuose, moteliuose ir kitose apgyvendinimo patalpose
 - įmonėse, kurios teikia apgyvendinimo paslaugas su pusryčiais
15. Šį prietaisą gali naudoti 8 metų ir vyresni vaikai ir asmenys, turintys ribotų fizinių, jutiminių ar protinių gebėjimų arba neturintys patirties ir žinių, jei jie yra prižiūrimi arba buvo instruktuoti, kaip saugiai naudoti prietaisą ir suprasti galimus pavojus. Vaikai negali žaisti su prietaisu, valyti ar atlikti techninę

priežiūrą, nebent jeigu yra 8 metų amžiaus ir yra prižiūrimi. Jaunesniems nei 8 metų vaikams draudžiama prietaisą naudoti, jis ir jo maitinimo laidas turi būti laikomas jiems nepasiekiamoje vietoje.

Įsitikinkite, kad virdulys yra pastatytas ant lygaus paviršiaus, kad jis neapvirs ir nesužalos virimo metu. Virimo metu arba tuoj pat po jo nelieskite išorinio virdulio korpuso ar dangčio, išoriniai paviršiai yra karšti. Nenaudokite prietaiso šalia objektų, kurie gali pažeisti garais.

Do not immerse in water! – Nenardinkite į vandenį!

PAVOJAI vaikams: Draudžiama vaikams žaisti su pakuote. Neleiskite vaikams žaisti su plastikiniais maišeliais. Kyla grėsmė uždusti.

PASTABOS

1. Į virdulį pilkite tik šaltą vandenį.
2. Vandens lygis turi būti tarp ženklų MAX. ir MIN.!
Perpildžius virdulį gali trykšti karštas vanduo.
3. Išjunkite virdulį prieš nuimdami jį nuo pagrindo.
4. Visada įsitikinkite, kad dangtis tinkamai uždarytas.
5. Virdulio pagrindas ir išorė negali būti šlapi.
6. Visada naudokite virdulį tik su pateiktu pagrindu.
7. Nejunkite tuščio virdulio.

Virdulio negalima naudoti kitų skysčių, išskyrus vandens, šildymui! Niekada nedėkite į virdulį arbatos maišelių, birios arbatos ar kitų gėrimų ruošimo ingredientų!

NAUDOJIMO INSTRUKCIJA.

Prieš pirmąjį naudojimą, išplaukite virdulio vidų įprastu indų plovikliu. Išskalaukite jį drungnu vandeniu. Prieš pirmąjį naudojimą, įpilkite į virdulį švarų šaltą geriamąjį vandenį, pilkite iki didžiausio lygio, įjunkite ir leiskite vandeniui užvirti. Tada išpilkite vandenį ir pakartokite procedūrą bent penkis kartus. Ši procedūra tinkamai išvalys virdulį ir išvengsite visų pašalinių kvapų. Jei jaučiate, kad virintas vanduo turi nepageidaujamą kvapą, rekomenduojame procedūrą pakartoti. Kita rekomendacija – palikite tuščią virdulį atvirą 24 valandas. Virdulio medžiaga, kuri liečiasi su vandeniu, turi sveikatos sertifikatą. Bet koks nežymus „kvapas“ ar „skonis“ pirmą kartą naudojant

po virdulio išpakavimo yra dažnas reiškinys ir neturėtų būti priežastimi skųstis dėl prietaiso.

Pagrindinis naudojimas

1. Padėkite pagrindą ant sauso ir lygaus paviršiaus ir įkiškite kištuką į lizdą. Padėjus virdulį ant pagrindo automatiškai įsijungia maitinimas.
2. Pripildykite virdulį vandeniu bent iki žymos „MIN“ (0,5 l).
3. Trumpai paspauskite įjungimo mygtuką (7), pasigirs pyptelėjimas, o mygtukas šalia virimo indikatorius (4) užsidegs, tai reiškia, kad vanduo pradės kaisti.
4. Ekrane (3) galite stebėti esamą vandens temperatūrą virdulyje.
5. Kai tik vanduo užvirs, indikatorius išsijungs ir pasigirs pyptelėjimas.

Pastaba: jei norite nutraukti virimą paspauskite mygtuką (7). Pasigirs du kartus pyptelėjimas ir užges virimo indikatorius lemputė (4).

Virimo temperatūros nustatymas ir palaikymas 100 ° C temperatūroje be virimo:

Jei norite, kad vanduo nustotų virti pasiekus pageidaujamą temperatūrą, padėkite virdulį ant pagrindo (8) ir kelis kartus spausdami temperatūros valdiklį (6) pasirinkite norimą temperatūrą (40 °C / 55 °C / 80 °C / 90 °C), ši temperatūra rodoma ekrane (3). Kai tik pasigirsta pyptelėjimas, virdulys pradeda kaisti. Vandeniui įkaitus iki norimos temperatūros, virdulys 3 kartus trumpai pypteli, po to virdulys 24 valandoms įjungia temperatūros palaikymo funkciją. Šilumos palaikymo funkcija aktyvi, kai dega lemputė šalia temperatūros palaikymo indikatorius (5). Virdulys vėl pradeda kaitinti vandenį, kai pasirinkta temperatūra nukrenta 10 °C.

Pastaba: Temperatūros palaikymą galite atšaukti trumpai paspausdami įjungimo / išjungimo mygtuką (7).

Virimo temperatūros nustatymas ir palaikymas 100 ° C temperatūroje su virimu

Jei norite, kad vanduo pirmiausia įkaistų iki 100°C ir po to Jūsų nustatytą temperatūrą būtų palaikoma, padėkite virdulį ant pagrindo (8) ir kelis kartus spausdami temperatūros valdiklį (6) pasirinkite norimą temperatūrą (40 °C/55 °C/80 °C/90 °C), ši temperatūra rodoma ekrane (3). Po to paspauskite įjungimo mygtuką (7), išgirsite pyptelėjimą ir virdulys pradės kaisti. Užsidegs lemputės šalia virimo indikatorius (4) ir šilumos palaikymo indikatorius (5). Vandeniui užvirus, vandens temperatūra virdulyje nukris iki jūsų pasirinktos temperatūros, tada virdulys 24 valandas pradės temperatūros palaikymo funkciją. Šilumos palaikymo funkcija aktyvi, kai šalia temperatūros palaikymo indikatorius (5) užsidega lemputė. Virdulys vėl pradės kaitinti vandenį, kai pasirinkta temperatūra nukrenta 10 °C

Pastaba: Temperatūros palaikymą galite atšaukti trumpai paspausdami įjungimo / išjungimo mygtuką (7).

VIRDULIO PRIEŽIŪRA

Naulykite virdulio išorę minkšta drėgna šluoste arba kempine. Atsparias vietas valykite šluoste, sudrėkinta švelnių skystu plovikliu. Nenaudokite metalinių šveitiklių ir šarminių medžiagų. Niekada nedėkite prietaiso į vandenį ar kitus skysčius. Kartais, priklausomai nuo jūsų vandens sudėties ir kietumo, natūraliai susidaro kalkių nuosėdos, kurios dažniausiai prilimpa prie kaitinimo įrenginio ir sumažina šildymo efektyvumą. Nusėdusių kalkinių nuosėdų kiekis ir atitinkamai valymo ar nukalkinimo poreikis labai priklauso nuo vandens kietumo jūsų regione ir virdulio naudojimo dažnumo. Taip susidariusios apnašos sveikatai nekenkia. Bet jei jos pateks į jūsų geriamą, gali

suteikti gėrimui miltelių skonį. Todėl virduklį reikia reguliariai nukalkinti taip, kaip yra aprašyta toliau.

KALKIŲ PAŠALINIMAS

Susidariusias kalkes reguliariai šalinkite. Įprastai virduklį naudojant šalinkite 2 kartus per metus.

1. Pripildykite virduklį iki žymos „max“ vienos dalies paprasto acto ir dviejų dalių vandens tirpalu. Įjunkite ir palaukite, kol prietaisas automatiškai išsijungs.
2. Leiskite tirpalui veikti per naktį.
3. Ryte tirpalą išpilkite.
4. Pripildykite virduklį švaraus vandens iki žymos MAX ir vėl leiskite užvirti.
5. Šį virintą vandenį išpilkite, kad pašalintumėte ankstesnius acto pėdsakus.
6. Išskalaukite virdulio vidų švariu vandeniu.

TECHNINIAI DUOMENYS

Talpa: 1,7 l

Nominali įtampa: 220–240 V~ 50-60 Hz

Nominali galia: 1850–2200 W

PAKUOTĖS LIKVIDAVIMAS

Pakavimo popierių ir gofruotą kartoną pristatykite į žaliavų surinkimo punktą arba išmeskite į popieriui skirtą konteinerį. Pakavimo foliją, PE maišelius, plastikines pakuotes arba dalis išmeskite į plastikų surinkimo konteinerį.

GAMINIO LIKVIDAVIMAS PASIBAIGUS TARNAVIMO LAIKUI

Senos elektrinės ir elektroninės įrangos išmetimas (taikoma ES valstybėse narėse ir kitose Europos šalyse, kuriose įdiegta atliekų rūšiavimo sistema)

Ant produkto arba pakuotės pateiktas ženklas reiškia, kad gaminys negali būti išmetamas su buitinėmis atliekomis. Gaminį pristatykite į elektrinių ir elektroninių gaminių perdirbimo punktą. Teisingas gaminio likvidavimas padeda saugoti žmonių sveikatą ir aplinką. Išsamesnę informaciją apie šio gaminio perdirbimą Jums gali suteikti vietinė savivaldybė, buitinių atliekų perdirbimo organizacija arba jums gaminį pardavęs pardavėjas. Už netinkamą šios rūšies atliekų išmetimą pagal įstatymus gali būti skirta bauda.

Šis gaminys atitinka ES direktyvų dėl elektromagnetinio suderinamumo ir elektros saugos bei sunkiųjų metalų kiekio elektros ir elektroninėje įrangoje reikalavimus. Taip pat, jis atitinka atitinkamus energijos ir tiesioginio sąlyčio su maistu reikalavimus.

Naudojimo instrukcijas rasite svetainėje www.ecg-electro.eu.

Tekstas ir techniniai parametrai gali keistis.



08/05



BIZTONSÁGI UTASÍTÁSOK

Kérjük, a későbbi felhasználás céljából őrizze meg ezt a kezelési útmutatót!

Figyelem: A jelen kézikönyvben szereplő óvintézkedések és utasítások nem fedik le az összes potenciálisan előforduló körülményt és helyzetet. A felhasználónak meg kell értenie, hogy a józan ész, az óvatosság és a gondosság olyan tényezők, amelyeket nem lehet beépíteni semmilyen termékbe. E tényezőket ezért a készüléket használó, kezelő személyeknek kell biztosítaniuk. Nem vállalunk felelősséget a szállítás, a nem rendeltetésszerű használat, a feszültségingadozás vagy a berendezés bármely részének megváltoztatása vagy módosítása miatt keletkezett károkért.

Tűz, illetve áramütés megelőzése érdekében az elektromos készülékek használatakor mindig meg kell tenni az alapvető óvintézkedéseket, beleértve a következőket:

1. Győződjön meg arról, hogy az aljzatban lévő feszültség megegyezik a készülék címkéjén feltüntetett feszültséggel, valamint hogy az aljzat megfelelően földelt. Az aljzatot a vonatkozó ČSN elektromos szabványnak megfelelően kell telepíteni.
2. Ne használja a vízforralót, ha a tápkábel vagy a csatlakozódugó sérült, ha nem működik megfelelően, ha a földre esett és megsérült, vagy ha vízbe esett. **Minden javítást, beleértve a tápvezeték cseréjét is, bízza szakemberre! Tilos leszerelni a készülék védőburkolatát, ellenkező esetben elektromos áramütés veszélye áll fenn!**
3. Az esetleges áramütés megelőzése érdekében óvja a készüléket a vízzel és más folyadékkal való közvetlen érintkezéstől. Tilos magát a vízforralót, vagy annak talprészét vízbe vagy más folyadékba meríteni!

4. Ne használja a vízforralót kültérben vagy nedves környezetben. Nedves kézzel soha ne érintse meg a tápkábelt vagy a vízforralót. **FIGYELEM - Elektromos áramütés veszélye!**
5. Javasoljuk, hogy az elektromos aljzatba csatlakoztatott vízforralót ne hagyja felügyelet nélkül. Karbantartása előtt mindig húzza ki a tápkábelt a konnektorból. Soha ne a tápkábelt rángatva húzza ki a dugót a konnektorból. A tápkábelt mindig a dugót megfogva húzza ki az aljzataból.
6. A tápkábel nem érhet forró alkatrészekhez, és nem vezethet át éles élek felett.
7. Kizárólag eredeti pótalkatrészeket használjon.
8. Működés közben nem hagyja felügyelet nélkül a vízforralót.
9. Fokozottan körültekintően járjon el, ha a készüléket gyermekek közelében használja. Áramütés megelőzése érdekében soha ne hagyja, hogy gyermekek egyedül kezeljék a készüléket. A vízforralót kizárólag olyan helyre állítsa, ahol gyermekek nem férhetnek hozzá. Győződjön meg róla, hogy a tápkábel nem lóg le.
10. Soha ne helyezze a vízforralót forró felületre, és ne használja hőforrás közelében (pl. a tűzhely főzőlapja).
11. A vízforralót mindig a jelen Használati útmutatóban feltüntetett utasításoknak megfelelően használja. A gyártó nem vállal felelősséget a készülék nem rendeltetésszerű használatából eredő károkért
12. Soha ne próbálja meg a fedelet forrás közben vagy röviddel a víz felforrása után felnyitni, mert fennáll a veszélye, hogy a felszálló gőz leforrázza a kezét.
13. Ügyeljen arra, hogy a víz ne fröccsenjen ki az LCD-panelre, se a kezelőgombok használati felületére. Ha víz kerül a készülékbe, az nem megfelelő működéshez vezethet.
14. A készüléket otthoni, valamint más hasonló környezetekben való használatra tervezték, például:

- üzletekben, irodákban és egyéb munkahelyeken található konyhasarok
- mezőgazdasági objektumok
- szállodák, motelek és egyéb lakóépületek vendégei által használt belső tereit
- szállást és reggelit kínáló panziók

15. A készüléket 8 év alatti gyermekek, valamint korlátozott fizikai, érzékszervi vagy szellemi képességű, illetve megfelelő tapasztalatokkal és ismeretekkel nem rendelkező személyek kizárólag akkor használják, ha felügyelet alatt állnak, vagy megfelelő utasításokat kaptak a készülék biztonságos használatával kapcsolatban, és megértették a lehetséges veszélyeket. A készülék nem játékszer. A felhasználó által végzett tisztítást és karbantartást nem végezhetik gyermekek, kivéve, ha 8 évnél idősebbek és felügyelet alatt állnak. A 8 évesnél fiatalabb gyermekeket a készüléktől és annak vezetékeitől távol kell tartani.

Ügyeljen arra, hogy a vízforralót mindig egyenes felületre állítsa, hogy ne borulhasson fel és ne okozhasson sérülést a víz felforralása közben. Ne érintse meg a vízforraló külső burkolatát se a fedelet működés közben, illetve a víz felforralását követően; a külső felületek forrók. Soha ne használja a készüléket olyan tárgyak közelében, amelyeket a gőz megkárosíthat.

Do not immerse in water! – Ne merítse vízbe!

Gyermekek számára VESZÉLYFORRÁS: A készülék nem játékszer. Ne hagyja, hogy a gyerekek műanyag zacskókkal játsszanak. Fulladásveszély!

FIGYELEM

1. A vízforraló feltöltésekor csak hideg vizet használjon.
2. A vízszintnek a MAX. és MIN. jelzések között kell lennie!

- Ha a vízforraló túlcsordul, a forró víz kifröccsenhet.
3. Mielőtt levinné a talprészről, mindig kapcsolja ki a vízforralót.
 4. Mindig győződjön meg róla, hogy a fedél biztonságosan le van zárva.
 5. A vízforraló alja és külseje nem lehet nedves.
 6. A vízforralót mindig csak a mellékelt talprésszel együtt használja.
 7. Soha ne kapcsolja be a vízforralót, ha üres.

A vízforralót kizárólag víz melegítésére használja! Soha ne tegyen a vízforralóba teafilttert, szórt teát se más italkészítő adalékanyagot!

HASZNÁLATI ÚTMUTATÓ

Mielőtt először használná a vízforralót, vegye ki és standard mosogatószerrel mossa ki a vízforraló belsejét. Ezután öblítse le langyos vízzel. A vízforraló első használata előtt töltsse fel a vízforralót tiszta, hideg ivóvízzel a maximális szintig, majd kapcsolja be, és forralja fel a vizet. Ezután öntse ki a vizet, és ismételje meg legalább ötször a folyamatot. Ez az eljárás megfelelően felforralja a vízforralót, és megszabadítja minden esetleges mellékíztől. Ha a forralt vízben mellékízt érzi, javasoljuk, hogy ismételje meg a folyamatot. Továbbá ajánlott a vízforralót 24 órán át felnyitva hagyni. A vízforraló vízzel érintkező anyaga egészségügyi biztonsági tanúsítvánnyal rendelkezik. A vízforraló kicsomagolását követő első használat során jelentkező enyhe "szag" vagy "utóíz" normális, és nem reklamálható körülmény.

Standard üzem

1. Helyezze a talprészt száraz, sima és vízszintes felületre, és dugja be a készülék csatlakozódugóját az aljzatba. Miután behelyezte a vízforralót a talprészbe, a készülék automatikusan bekapcsol.
2. Töltsse fel a vízforralót vízzel, legalább a "MIN" jelzésig (0,5 l)
3. Nyomja meg röviden a bekapcsológombot (7), ekkor hangjelzés hallható, és a forralásjelző (4) melletti gomb kigyullad, ami azt jelenti, hogy a víz forralása megkezdődött.
4. a Kijelzőn (3) a vízforralóban lévő víz aktuális vízhőmérséklete látható
5. Amint a víz eléri a forrásponot, a jelzőfény kialszik, és sípoló hang hallható.

Megjegyzés: ha le szeretné állítani a vízforralást, nyomja meg újra a gombot (7). Két síphang hallatszik, majd a forralásjelző lámpa (4) kialszik.

Melegítési hőmérséklet beállítása és szinten tartása anélkül, hogy a víz 100°C-ra forrna fel:

Ha azt szeretné, hogy a víz melegítése a kívánt hőmérséklet elérésekor megszakadjon, helyezze a vízforralót a talprészre (8), majd a hőmérséklet-szabályozó gomb (6) ismételt megnyomásával válassza ki a kívánt hőmérsékletet (40 °C/55 °C/80 °C/90 °C); ez a hőmérséklet megjelenik a kijelzőn (3). Amint megszólal a síphang, a vízforraló elkezdi forralni a vizet. Amikor a vízforraló befejezte a víz kívánt hőmérsékletre való melegítését, 3 rövid hangjelzés hallható, majd a vízforraló 24 órán keresztül hőmérséklet-fenntartó funkcióban üzemel. A hőmérséklet-fenntartó funkció akkor aktív,

ha a hőmérséklet-fenntartás jelző melletti LED világít (5). A vízfóraló akkor kezdi el újra melegíteni a vizet, ha a megadott hőmérséklet 10°C-kal csökken.

Megjegyzés: A hőmérséklet-fenntartás funkciót a kikapcsoló gomb (7) rövid megnyomásával kapcsolhatja ki.

Forró víz hőmérsékletének beállítása és fenntartása 100°C-on:

Ha azt szeretné, hogy a víz először felforrjon 100°C-ra, majd tartsa a kiválasztott hőmérsékletet, helyezze a vízfóralót a talprészre (8), és a hőmérséklet-szabályozó gomb (6) ismételt megnyomásával válassza ki a kívánt hőmérsékletet (40°C/55°C/80°C/90°C), ez a hőmérséklet megjelenik a kijelzőn (3). Ezután nyomja meg a bekapcsológombot (7), ekkor síphang hallható, és a vízfóraló elkezd forralni a vizet. A forralásjelző (4) és a hőmérséklet-tartás-jelző (5) melletti LED-ek kigyulladnak. A vízfóralás befejezése után a vízfóralóban lévő víz hőmérséklete az Ön által kiválasztott hőmérsékletre csökken, majd a vízfóraló 24 órán keresztül a hőmérséklet-fenntartó funkciót használja. A hőmérséklet-fenntartó funkció akkor aktív, ha a hőmérséklet-fenntartás jelző melletti LED világít (5). A vízfóraló akkor kezdi el újra melegíteni a vizet, ha a megadott hőmérséklet 10°C-kal csökken.

Megjegyzés: A hőmérséklet-fenntartás funkciót a kikapcsoló gomb (7) rövid megnyomásával kapcsolhatja ki.

A VÍZFÓRALÓ ÁPOLÁSA

Óvatosan törölje le a vízfóraló külső felületét puha törlőruhával vagy szivaccsal. A makacsan ellenálló szennyeződések enyhe folyékony mosószeres nedves ruhával távolítsa el. Soha ne használjon kopotató hatású tisztítószeret vagy szivacsokat. Soha ne merítse a készüléket vízbe se más folyadékba.

Időről időre, a víz összetételétől - és keménységétől - függően, természetes módon vízkőlerakódások képződnek, amelyek általában a fűtőelemhez tapadnak, csökkentve ezáltal a fűtés hatékonyságát. A vízkő felhalmozódásának mértéke és a későbbi tisztítás vagy vízkőmentesítés szükségessége nagymértékben függ a régió vízkeménységétől és a vízfóraló használatának gyakoriságától. Az így képződött vízkő nem káros az egészségre. Ha azonban az italba kerül, poros mellékízt adhat az italnak. A vízfóralót ezért rendszeresen vízkőmentesíteni kell az alábbiak szerint.

VÍZKŐ ELTÁVOLÍTÁS

Rendszeresen távolítsa el a vízkövet. Normál használat mellett évente legalább 2 alkalommal.

1. Töltse meg a vízfóralót a "max" jelzésig egy rész sima ecet és két rész víz oldatával. Kapcsolja be és várja meg, amíg a készülék automatikusan kikapcsol.
2. Hagyja az oldatot egy éjszakán át hatni.
3. Az oldatot másnap reggel öntse ki.
4. Töltse fel a vízfóralót tiszta vízzel a MAX jelzésig, majd forralja fel.
5. Öntse ki a felfóralt vizet, amely a korábbi ecetmaradványokat is eltávolítja.
6. Öblítse ki a vízfóraló belsejét tiszta vízzel.

MŰSZAKI ADATOK

Úrtartalom: 1,7 l

Névleges feszültség: 220–240 V~ 50-60 Hz

Névleges bemenő teljesítmény: 1850–2200 W

A CSOMAGOLÓANYAGOK MEGSEMMISÍTÉSE

Csomagolópapír és hullámkarton - adja le hulladékgyűjtő telepen vagy dobja papírgyűjtő konténerekbe. Csomagolófólia, PE zsákok, műanyag csomagolóanyagok vagy alkatrészek - műanyaggyűjtő konténerekbe.

A TERMÉK ÁRTALMATLANÍTÁSA A HASZNOS ÉLETTARTAM VÉGÉN

Használt elektromos és elektronikus berendezések ártalmatlanítása (EU-tagállamokban és más, szelektív hulladékgyűjtés alkalmazó európai országokban)

A terméken vagy a csomagoláson lévő szimbólum jelzi, hogy a terméket tilos egyszerű háztartási hulladékként kezelni. Vigye a terméket az elektromos és elektronikus berendezések újrahasznosítására kijelölt helyre. A termék megfelelő ártalmatlanítása megakadályozza az emberi egészségre és a környezetre gyakorolt negatív hatásokat. Az anyagok újrahasznosítása hozzájárul a természeti erőforrások megőrzéséhez. A termék újrahasznosításával kapcsolatos további információkért forduljon a helyi önkormányzathoz, a háztartási hulladékot kezelő szervezethez vagy ahhoz az értékesítési ponthoz, ahol a terméket vásárolta. Az ilyen típusú hulladékok nem megfelelő ártalmatlanítása a törvény értelmében pénzbírsággal járhat.



08/05



A termék megfelel az elektromágneses kompatibilitásról és az elektromos biztonságról, valamint az elektromos és elektronikus berendezésekben található nehézfémek kérdéséről szóló uniós irányelvek követelményeinek. Megfelel a vonatkozó energetikai és élelmiszerekkel való érintkezési követelményeknek is.

A kezelési útmutató a www.ecg-electro.eu weboldalon található.

A szöveg és a műszaki paraméterek változhatnak.

INSTRUKCJA BEZPIECZEŃSTWA

Należy przeczytać uważnie i zachować na przyszłość!

Ostrzeżenie: Środki ostrożności i polecenia zawarte w niniejszej instrukcji nie obejmują wszystkich możliwych warunków i sytuacji, które mogą wystąpić. Użytkownik musi rozumieć, że rozsądek, ostrożność i staranność to czynniki, których nie można dołączyć do żadnego produktu, Czynniki te muszą być zatem zapewnione przez użytkownika/użytkowników korzystających z urządzenia i obsługujących je. Nie ponosimy odpowiedzialności za uszkodzenia powstałe podczas transportu, w wyniku niewłaściwego użytkowania, wahań napięcia oraz zmian lub modyfikacji jakiegokolwiek części urządzenia.

Aby nie doszło do pożaru lub porażenia prądem, podczas korzystania z urządzeń elektrycznych należy zawsze przestrzegać podstawowych środków ostrożności, w tym następujących:

1. Należy upewnić się, że napięcie w gniazdku jest zgodne z napięciem podanym na etykiecie urządzenia i że gniazdko jest prawidłowo uziemione. Gniazdko musi być zainstalowane zgodnie z obowiązującą normą elektryczną ČSN.
2. Nie należy używać czajnika, jeśli przewód zasilający lub wtyczka są uszkodzone, jeżeli nie działa prawidłowo, spadł na ziemię i uszkodził się lub wpadł do wody. **Wszelkie naprawy, w tym wymianę kabla zasilającego, należy powierzyć profesjonalnym serwisom! Nie należy demontować osłon ochronnych urządzenia, grozi porażenie prądem!**
3. Urządzenie należy chronić przed bezpośrednim kontaktem z wodą i innymi płynami, aby nie doszło do ewentualnego porażenia prądem. Czajnika ani jego podstawy nie wolno zanurzać w wodzie ani w innych płynach!
4. Nie używać czajnika na zewnątrz lub w wilgotnym środowisku. Nie dotykać kabla zasilającego ani czajnika mokrymi rękami. Grozi porażenie prądem.

5. Zalecamy, aby nie zostawiać czajnika bez nadzoru z kablem zasilającym podłączonym do gniazdka. Przed przystąpieniem do konserwacji należy odłączyć kabel zasilający od gniazdka. Nie wyciągać wtyczki z gniazdka ciągnąc za przewód. Odłączyć kabel od gniazdka chwytając za wtyczkę.
6. Kabel zasilający nie może dotykać gorących części ani przechodzić przez ostre krawędzie.
7. Należy używać wyłącznie oryginalnych akcesoriów.
8. Pracującego czajnika nie należy pozostawiać bez nadzoru.
9. Należy zachować szczególną ostrożność przy używaniu czajnika w pobliżu dzieci. Nigdy nie pozwalać, by dzieci same manipulowały urządzeniem, aby chronić je przed zagrożeniem porażenia prądem. Stawiać czajnik wyłącznie w takim miejscu, gdzie dzieci nie będą miały do niego dostępu. Należy dbać o to, aby kabel nie zwisał w dół.
10. Nie stawiać czajnika na gorącej powierzchni ani nie używać go w pobliżu źródła ciepła (np. płyta grzewcza kuchenki).
11. Czajnika należy używać wyłącznie zgodnie z zaleceniami zawartymi w niniejszej instrukcji. Producent nie ponosi odpowiedzialności za szkody spowodowane niewłaściwym użytkowaniem tego urządzenia.
12. Podczas gotowania wody lub krótko po jej zagotowaniu nie należy próbować otwierać pokrywy, zachodzi ryzyko poparzenia rąk parą.
13. Należy unikać pryskania wody na panel LCD i obszar, na którym są używane klawisze operacyjne. Jeśli do urządzenia dostanie się woda, może to spowodować niestandardowe działanie.
14. To urządzenie jest przeznaczone do używania w domu i podobnych pomieszczeniach, jak:
 - aneksy kuchenne w sklepach, biurach i innych miejscach pracy
 - urządzenia stosowane w rolnictwie

- urządzenia używane przez gości w hotelach, motelach i innych obiektach mieszkalnych
- urządzenia używane w przedsiębiorstwach oferujących noclegi ze śniadaniem

15. Urządzenie może być używane przez dzieci w wieku powyżej 8 lat oraz osoby o ograniczonych zdolnościach fizycznych, sensorycznych lub umysłowych albo nieposiadające wystarczającego doświadczenia i wiedzy, o ile są one pod nadzorem lub zostały poinstruowane na temat bezpiecznego użytkowania urządzenia i rozumieją potencjalne zagrożenia. Dzieci nie mogą bawić się urządzeniem. Czyszczenia i konserwacji przez użytkownika nie mogą wykonywać dzieci, chyba że mają one co najmniej 8 lat i są pod nadzorem. Dzieci poniżej 8 roku życia należy trzymać z dala od urządzenia i jego zasilania.

Należy dbać o to, aby czajnik stał na płaskiej powierzchni, by nie mógł się podczas gotowania przewrócić i spowodować obrażeń. Nie dotykać zewnętrznej obudowy czajnika ani pokrywy podczas jego pracy, a nawet po zakończeniu gotowania, powierzchnie zewnętrzne są gorące. Nie używać urządzenia w pobliżu przedmiotów, które para może uszkodzić.

Do not immerse in water! - Nie zanurzać w wodzie!

ZAGROŻENIE dla dzieci: Dzieciom nie wolno bawić się materiałem opakowaniowym. Nie pozwalać dzieciom bawić się plastikowymi torbami. Zagrożenie uduszeniem.

UWAGA

1. Przy napełnianiu czajnika należy używać wyłącznie zimnej wody.
2. Poziom wody musi znajdować się pomiędzy znakami MAX. i MIN.!
W razie przepełnienia czajnika może dojść do rozprysnięcia gorącej wody.
3. Przed zdjęciem czajnika z podstawy należy go wyłączyć.

4. Zawsze należy upewnić się, że pokrywa jest dokładnie zamknięta.
5. Podstawa i zewnętrzna strona czajnika nie mogą być mokre.
6. Zawsze używać czajnika tylko z dołączoną podstawą.
7. Nie włączać czajnika, jeśli jest pusty.

Czajnik nie może być używany do podgrzewania płynów innych niż woda! Nigdy nie wkładać do czajnika torebek z herbatą, herbaty sypanej ani innych dodatków do produkcji napojów!

INSTRUKCJA UŻYTKOWANIA

Przed pierwszym użyciem czajnika należy go wyjąć i umyć wewnątrz zwykłym detergentem używanym do mycia naczyń. Następnie spłukać letnią wodą. Przed pierwszym użyciem czajnika należy napełnić go czystą, zimną wodą pitną do maksymalnego poziomu, włączyć go i doprowadzić wodę do wrzenia. Następnie należy wyłączyć wodę i powtórzyć proces co najmniej pięć razy. Dzięki tej procedurze czajnik zostanie należycie wygotowany i nie pojawi się ewentualny posmak. W razie wrażenia, że przegotowana woda ma posmak, zalecamy powtórzenie procesu. Inne zalecenie to pozostawienie pustego czajnika otwartego przez 24 godziny. Materiał czajnika mający kontakt z wodą posiada certyfikat bezpieczeństwa zdrowotnego. Ewentualny lekki „zapach” lub „posmak” podczas pierwszego użycia po rozpakowaniu czajnika jest normalny i nie powinien być podstawą do reklamacji.

Obsługa podstawowa

1. Podstawę umieścić na suchej, gładkiej i poziomej płaszczyźnie i włożyć wtyczkę do gniazdka. Po położeniu czajnika na podstawie zasilanie zostanie automatycznie włączone.
2. Napełnić czajnik wodą, co najmniej do znaku „MIN” (0,5 l)
3. Nacisnąć krótko przycisk włączania (7), rozlegnie się sygnał dźwiękowy, a obok wskaźnika gotowania zaświeci dioda (4), co oznacza, że woda zacznie się gotować.
4. Na Wyświetlaczu (3) można obserwować aktualną temperaturę wody w czajniku
5. Jak tylko woda osiągnie temperaturę wrzenia, lampka kontrolna zgaśnie i rozlegnie się sygnał dźwiękowy.

Uwaga: aby przerwać gotowanie, należy ponownie nacisnąć przycisk (7). Rozlegnie się podwójny sygnał dźwiękowy i zgaśnie lampka kontrolna gotowania (4).

Ustawienie i utrzymanie temperatury gotowania bez zagotowania wody do 100°C:

Chcąc aby gotowanie wody zostało przerwane po osiągnięciu pożądanej temperatury, należy umieścić czajnik na podstawie (8) i wybrać pożądaną temperaturę (40 °C/55 °C/80 °C/90 °C), naciskając wielokrotnie przycisk regulacji temperatury (6); temperatura zostanie wyświetlona na wyświetlaczu (3). Gdy tylko rozlegnie się sygnał dźwiękowy, czajnik zacznie gotować. Gdy czajnik zakończy gotowanie do żądanej temperatury, wyda 3 krótkie sygnały dźwiękowe, po czym uruchomi funkcję podtrzymywania temperatury na czas 24 godzin. Funkcja podtrzymania temperatury jest aktywna, gdy świeci dioda obok wskaźnika podtrzymywania temperatury (5) Czajnik zacznie ponownie gotować wodę, jeśli wybrana temperatura spadnie o 10°C.

Uwaga: Zakończenie podtrzymywania temperatury można anulować przez krótkie naciśnięcie przycisku wyłączenia (7)

Ustawianie i utrzymywanie temperatury gotowania z zagotowaniem wody do 100 °C:

Chcąc, aby woda najpierw zagotowała się do 100°C, a następnie utrzymała wybraną temperaturę, należy umieścić czajnik na podstawie (8) i wybrać pożądaną temperaturę (40°C/55°C/80°C/90°C) naciskając kilkakrotnie przycisk regulacji temperatury (6), temperatura pojawi się na wyświetlaczu (3). Następnie nacisnąć przycisk włączania (7), rozlegnie się sygnał dźwiękowy i czajnik zacznie gotować. Zapalą się diody obok wskaźnika gotowania (4) i wskaźnika podtrzymywania temperatury (5). Po zakończeniu gotowania wody, temperatura wody w czajniku spadnie do wybranego poziomu, po czym czajnik uruchomi funkcję podtrzymywania temperatury na czas 24 godzin. Funkcja podtrzymywania temperatury jest aktywna, gdy świeci dioda obok wskaźnika podtrzymywania temperatury (5) Czajnik zacznie ponownie gotować wodę, jeśli wybrana temperatura spadnie o 10°C.

Uwaga: Zakończenie podtrzymywania temperatury można anulować przez krótkie naciśnięcie przycisku wyłączenia (7)

JAK DBAĆ O CZAJNIK

Zewnętrzną powierzchnię czajnika przecierać miękką, wilgotną szmatką lub gąbką. Uporczywe zabrudzenia usuwać szmatką zwilżoną łagodnym detergentem w płynie. Nie należy używać drucianego drapak ani innych szorstkich środków. Nigdy nie zanurzać urządzenia w wodzie lub innych płynach.

Od czasu do czasu, w zależności od składu – i twardości – wody, w sposób naturalny tworzy się osad wapienny, który z reguły przywiera do elementu grzejącego, zmniejszając jego wydajność. Ilość osadzającego się kamienia oraz konieczność czyszczenia lub odkamieniania zależą w dużej mierze od twardości wody w regionie oraz częstotliwości użytkowania czajnika. Powstały w ten sposób kamień nie jest szkodliwy dla zdrowia. Jeśli jednak dostanie się do napoju, może nadać mu proszkowany smak. Dlatego czajnik powinien być regularnie odkamieniany, jak opisano poniżej.

ODKAMIENIANIE

Kamień należy regularnie usuwać. Przy normalnym użytkowaniu co najmniej 2x rok.

1. Napełnić czajnik do znaku „max” roztworem jednej części zwykłego octu i dwóch części wody.
Włączyć i poczekać, aż urządzenie wyłączy się automatycznie.
2. Zostawić roztwór na noc.
3. Następnego dnia rano roztwór usunąć.
4. Napełnić czajnik czystą wodą do znaku MAX i ponownie doprowadzić do wrzenia.
5. Odląć tę przegotowaną wodę, co usunie również pozostałości octu.
6. Wypłukać wnętrze czajnika czystą wodą.

DANE TECHNICZNE

Objętość: 1,7 l

Napięcie znamionowe: 220–240 V~ 50-60 Hz

Wejście mocy znamionowej: 1850–2200 W

UŻYCIЕ I UTYLIZACJA OPAKOWAŃ

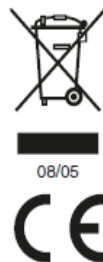
Papier pakowy i tektura falista – oddać do punktu skupu papieru lub wyrzucić do pojemników na

papier. Folia opakowaniowa, worki PE, plastikowe opakowania lub części – do pojemników na tworzywa sztuczne.

UTYLIZACJA PRODUKTU PO ZAKOŃCZENIU OKRESU UŻYTKOWANIA

Utylizacja zużytych urządzeń elektrycznych i elektronicznych (dotyczy krajów członkowskich UE i innych krajów europejskich z wprowadzonym systemem segregacji odpadów)

Symbol przedstawiony na produkcie lub opakowaniu oznacza, że produkt nie powinien być traktowany jako odpad domowy. Produkt należy odnieść do miejsca przeznaczonego do recyklingu urządzeń elektrycznych i elektronicznych. Prawidłowa utylizacja produktu zapobiegnie negatywnemu wpływowi na zdrowie ludzi i środowisko. Recykling materiałów przyczynia się do ochrony zasobów naturalnych. Aby uzyskać więcej informacji na temat recyklingu tego produktu, należy skontaktować się z władzami lokalnymi, organizacją zajmującą się przetwarzaniem odpadów domowych lub z punktem sprzedaży, w którym produkt został zakupiony. Niewłaściwa utylizacja tego typu odpadów może zgodnie z prawem podlegać karze grzywny.



Ten produkt spełnia wymagania dyrektyw UE dotyczących kompatybilności elektromagnetycznej i bezpieczeństwa elektrycznego oraz kwestii metali ciężkich w sprzęcie elektrycznym i elektronicznym. Spełnia również odpowiednie wymagania dotyczące energii i kontaktu z żywnością.

Instrukcja obsługi jest dostępna na stronie internetowej www.ecg-electro.eu.
Zastrzeżenie: możliwość zmiany tekstu i parametrów technicznych.

INSTRUCȚIUNI CU PRIVIRE LA SECURITATE

Citiți și păstrați pentru necesități viitoare!

Avertizare: Măsurile și instrucțiunile cu privire la securitate specificate în prezentul manual nu includ toate condițiile și situațiile posibile care pot apărea. Utilizatorul trebuie să înțeleagă faptul că factorul care nu poate fi încorporat în nici un produs este sensul comun, precauția și grija. Deci, acești factori trebuie asigurați de către utilizatorul/utilizatorii care folosesc și deservește acest aparat. Nu răspundem pentru pagubele cauzate în cursul transportului, prin utilizarea incorectă, din cauza oscilației tensiunii sau din cauza schimbării sau modificării oricărei piese a aparatului.

Pentru a se evita producerea unui incendiu sau electrocutarea, în timpul utilizării aparatelor electrice ar trebui să fie întotdeauna respectate măsurile de bază, inclusiv cele ce urmează mai jos:

1. Asigurați-vă de faptul că tensiunea în priza dumneavoastră este compatibilă cu tensiunea specificată pe plăcuța cu datele tehnice ale aparatului și că priza este legată reglementar la pământ. Priza trebuie să fie instalată în conformitate cu norma electrotehnică ČSN.
2. Nu utilizați cana fierbător în cazul în care cablul de alimentare sau ștecărul sunt deteriorate, dacă nu funcționează corect, a căzut jos și s-a defectat sau a căzut în apă. **Toate reparațiile inclusiv cablul de alimentare trebuie să le încredințați unui service calificat! Nu demontați capacele de protecție ale aparatului, există pericol de electrocutare!**
3. Protejați aparatul de contactul direct cu apa și alte lichide pentru a evita eventuala electrocutare. Se interzice scufundarea câinii și a bazei acesteia în apă sau în alt lichid!
4. Nu utilizați cana afară sau într-un mediu uscat. Nu atingeți cu mâinile umede cablul de alimentare și nici cana. Există pericol de electrocutare!

5. Recomandăm să nu lăsați cana fără supraveghere atunci când cablul de alimentare se află în priză. Înainte de mentenanță, scoateți cablul de alimentare din priză. Nu scoateți ștecărul din priză prin tragere de cablu. Deconectați cablul de la priză prin apucarea ștecărului.
6. Cablul de alimentare nu are voie să atingă părțile fierbinți și nici să treacă peste muchii ascuțite.
7. Să utilizați doar accesorii originale.
8. În timpul funcționării, cana nu ar trebui să fie lăsată fără supraveghere.
9. Să fiți deosebit de atenți atunci când utilizați cana în apropierea copiilor. Niciodată să nu lăsați copiii să manipuleze singuri aparatul, pentru a-i proteja contra pericolului de electrocutare. Așezați cana doar în locul în care copiii să nu aibă acces la aparat. Aveți grijă ca, cablul de alimentare să nu atârne în jos.
10. Nu așezați cana pe o suprafață fierbinte și nu o utilizați în apropierea unei surse de căldură (de exemplu, plita cuptorului).
11. Utilizați cana doar în conformitate cu instrucțiunile specificate în prezentul manual. Fabricantul nu răspunde pentru pagubele cauzate prin utilizarea incorectă a acestui aparat.
12. În timpul fierberii apei sau la scurt timp după ce apa a fiert, nu încercați să deschideți capacul, pericol de opărire a mâinii.
13. Evitați stropirea cu apă a panoului LCD și a zonei în care se utilizează tastele de operare. În cazul în care apa intră în aparat, aceasta poate cauza operarea incorectă a aparatului.
14. Acest aparat este destinat utilizării casnice și în spațiile, de tipul:
 - colțurilor de bucătărie din magazine, birourilor și celelalte posturi de lucru
 - aparatelor utilizate în agricultură
 - aparatelor utilizate de către oaspeții hotelurilor, motelurilor și altor zone rezidențiale

- aparatelor utilizate în întreprinderile care asigură cazare peste noapte împreună cu micul dejun

15. Acest aparat poate fi utilizat de către copii având vârsta de 8 ani și persoanele fizice cu abilități fizice, senzoriale și psihice redue sau cu experiență și cunoștințe insuficiente, doar dacă se află sub supraveghere sau au fost instruite în legătură cu utilizarea aparatului într-o modalitate sigură și înțeleg eventualele pericole. Copiilor le este interzis să se joace cu aparatul. Curățarea și mentenanța efectuată de către utilizator le este interzisă copiilor, dacă nu au vârsta de peste 8 ani și nu sunt sub supraveghere. Copiii sub vârsta de 8 ani trebuie să fie în afara zonei de acțiune a aparatului și alimentării acestuia.

Asigurați așezarea căinii pe o suprafață plană pentru a evita răsturnarea și accidentarea în cursul fierberii. În timpul funcționării și după fierbere, nu atingeți mantaua externă a căinii și nici capacul, suprafețele externe sunt fierbinți. Nu utilizați aparatul în apropierea obiectelor care se pot deteriora din cauza aburului.

Do not immerse in water! – Nu scufundați în apă!

PERICOL pentru copii: Copiilor le este interzis să se joace cu materialul de ambalare. Nu lăsați copiii să se joace cu pungile de plastic. Pericol de asfixiere.

ATENȚIE

1. Folosiți doar apă rece pentru umplerea căinii.
2. Nivelul de apă trebuie să fie între reperele MAX. și MIN.!
În cazul supra umplerii căinii s-ar putea ajunge la împrôșcare cu apa fierbinte.
3. Opriți cana înainte de a o da jos de pe bază.
4. Întotdeauna trebuie să vă asigurați de închiderea corectă a capacului.
5. Baza și partea exterioară a căinii nu au voie să fie ude.

6. Utilizați întotdeauna cana doar cu baza livrată.

7. Nu cuplați cana, dacă este goală.

Se interzice utilizarea cunii pentru încălzirea altor lichide decât apa!
Nu introduceți niciodată în cană plicurile cu ceai, ceaiul vărsat și nici alte amestecuri pentru fabricarea băuturilor!

INSTRUCȚIUNI DE UTILIZARE

Înainte de prima utilizare, scoateți cana fierbător și spălați interiorul acesteia cu un detergent obișnuit utilizat pentru spălarea vaselor. Apoi clătiți cu apă caldă. Înainte de prima utilizare, umpleți cana cu apă potabilă rece și curată până la nivel maxim, porniți cana și lăsați să fiarbă. Apoi goliți apa și repetați procedura de cel puțin cinci ori. Prin această modalitate veți fierbe cana corect și scăpați și de eventuale gusturi neplăcute. Dacă aveți impresia că din apa fiartă simțiți un gust neplăcut, recomandăm să repetați procedura. O altă recomandare este să lăsați cana goală deschisă timp de 24 de ore. Materialul cunii care intră în contact cu apa deține atestatul privind inofensivitatea față de sănătate. Eventualul „miros neplăcut” sau „gust neplăcut” moderat la prima utilizare după scoaterea cunii din ambalaj este un fenomen obișnuit și nu ar trebui să constituie un motiv de reclamație a aparatului.

Operare generală

1. Așezați baza pe o suprafață uscată, netedă și orizontală și introduceți ștecărul în priză. După așezarea cunii pe baza acesteia, se cuplează automat și alimentarea.
2. Umpleți cana cu apă, minimum până la reperul „MIN” (0,5l)
3. Apăsăți butonul pentru pornire (7), se aude un piuit și la butonul de lângă indicatorul fierberii (4) se aprinde dioda, înseamnă că apa începe să fiarbă.
4. Pe afișaj (3) puteți urmări temperatura actuală a apei din cană.
5. Îndată ce apa a atins punctul de fierbere, indicatorul se stinge și se aude piuitura.

Notă: dacă doriți să terminați fierberea, apăsați din nou butonul (7). Se aude o piuitură dublă și se stinge indicatorul fierberii (4).

Setarea și menținerea temperaturii Fierberii fără fierberea apei la peste 100°C:

În cazul în care doriți ca fierberea apei să se întrerupă după atingerea temperaturii cerute de dumneavoastră, așezați cana pe bază (8) și, prin apăsarea repetată a butonului pentru comanda temperaturii (6), selectați temperatura cerută (40 °C/55 °C/80 °C /90 °C), această temperatură se vizualizează pe afișaj (3). Îndată ce se aude „piuitura”, cana începe să fiarbă. După finalizarea fierberii la temperatura cerută, cana piue de 3x scurt, apoi cana pornește funcția de menținere a temperaturii, și anume pe durata de 24 de ore. Funcția de menținere a temperaturii este activă, dacă luminează dioda de lângă indicatorul de menținere temperatură (5). Cana începe să fiarbă apa din nou, dacă temperatura selectată scade sub 10°C.

Notă: Terminarea menținerii temperaturii se poate anula printr-o apăsare scurtă a butonului pentru oprire (7)

Setarea și menținerea temperaturii Fierberii cu fierberea apei la peste 100°C:

În cazul în care doriți ca apa să fiarbă mai întâi la 100°C și apoi să mențină temperatura selectată de dumneavoastră, așezați cana pe bază (8) și, prin apăsarea repetată a butonului pentru comanda temperaturii (6), selectați temperatura cerută (40 °C/55 °C/80 °C /90 °C), această temperatură se vizualizează pe afișaj (3). Apoi apăsați butonul pentru pornire (7), se aude un piuit și cana începe să fiarbă. Se aprind diodele de lângă Indicatorul fierberii (4) și indicatorul de menținere a temperaturii (5). După finalizarea fierberii, temperatura din cană va scăde până la temperatura selectată de dumneavoastră, apoi cana pornește funcția de menținere a temperaturii, și anume pe durata de 24 de ore. Funcția de menținere a temperaturii este activă, dacă luminează dioda de lângă indicatorul de menținere temperatură (5). Cana începe să fiarbă apa din nou, dacă temperatura selectată scade sub 10°C.

Notă: Terminarea menținerii temperaturii se poate anula printr-o apăsare scurtă a butonului pentru oprire (7)

CUM TREBUIE SĂ VĂ ÎNGRIJIȚI DE CANA DUMNEAVOASTRĂ

Suprafața exterioară a cării se șterge cu o cârpă moale și umedă sau cu un burete. Locurile care rezistă se înlătură cu o cârpă umezită într-un detergent lichid fin și curat. Nu utilizați perii de sârmă abrazive sau alte mijloace aspre. Niciodată să nu scufundați aparatul în apă sau în alte lichide.

Din când în când, în funcție de compoziția – și duritatea – apei dumneavoastră, în mod firesc, se formează calcarul care, de cele mai multe ori, se depune pe corpul de încălzire și astfel se reduce eficiența încălzirii. Cantitatea de calcar și necesitatea ulterioară de curățare sau decalcifiere depind, în mare măsură, de duritatea apei în regiunea dumneavoastră și frecvența utilizării cării. Calcarul astfel format nu este nociv pentru sănătate. Însă în cazul în care ajunge în băutura dumneavoastră, îi poate da băuturii dumneavoastră un gust de pudră. De aceea, cana ar trebui să fie decalcifiată cu regularitate așa cum este specificat mai jos.

ÎNLĂTURAREA CALCARULUI

Înlăturați periodic calcarul. În cazul utilizării obișnuite, de cel puțin 2x pe an.

1. Umpleți cana până la reperul „max” cu o soluție compusă dintr-o parte de oțet obișnuit și două părți de apă. Porniți și așteptați până când aparatul se oprește automat.
2. Lăsați soluția să acționeze peste noapte.
3. În dimineața următoare aruncați soluția.
4. Umpleți cana cu apă curată până la reperul MAX și lăsați să fiarbă din nou.
5. Goliți această apă fiartă înlăturând astfel și resturile de oțet.
6. Clătiți interiorul cării cu apă curată.

DATE TEHNICE

Volum: 1,7 l

Tensiune nominală: 220–240 V~ 50-60 Hz

Consum nominal de putere: 1850–2200 W

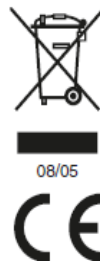
UTILIZARE ȘI LICHIDARE AMBALAJE

Hârtie de ambalare și carton – predați la punctele de colectare materii prime sau puneți în containere pentru hârtie. Folia de înfășurare, pungile PE, ambalajele sau piesele de plastic – în containere de colectare plastic.

DISTRUGEREA PRODUSULUI DUPĂ EXPIRAREA DURATEI DE VIAȚĂ

Distrugerea aparatelor electrice și electronice uzate (valabil în țările membre ale UE și în alte țări europene care au implementat sistemul de sortare deșeuri)

Simbolul de pe produs sau ambalaj înseamnă că produsul nu ar trebui tratat ca deșeu menajer. Predați produsul la punctele destinate reciclării aparatelor electrice și electronice. Prin distrugerea corectă a produsului veți împiedica impactele negative asupra sănătății umane și asupra mediului. Reciclarea materialelor contribuie la protecția resurselor naturale. Informații suplimentare referitoare la reciclarea acestui produs vă poate furniza consiliul comunal, organizațiile care se ocupă cu prelucrarea deșeurilor menajere sau punctul de vânzare unde ați achiziționat produsul. Distrugerea incorectă a acestui tip de deșeu poate fi amendată potrivit legii.



Acest produs îndeplinește cerințele directivelor UE privitoare la compatibilitatea electromagnetică și securitatea electrică, precum și la problematica metalelor grele din aparatele electrice și electronice. De asemenea, produsul îndeplinește eficiența energetică aferentă și cerințele pentru contactul direct cu produsele alimentare.

Instrucțiunile de utilizare sunt disponibile pe site-ul web www.ecg-electro.eu.

Modificarea textului și a parametrilor tehnici este rezervată.

BEZPEČNOSTNÉ POKYNY**Čítajte pozorne a uschovajte na budúcu potrebu!**

Varovanie: Bezpečnostné opatrenia a pokyny uvedené v tomto návode nezahŕňajú všetky možné podmienky a situácie, ku ktorým môže dôjsť. Používateľ musí pochopiť, že faktorom, ktorý nie je možné zabudovať do žiadneho z výrobkov, je zdravý rozum, opatrnosť a starostlivosť. Tieto faktory teda musí/musia zaistiť používateľ/používatelia používajúci a obsluhujúci toto zariadenie. Nezodpovedáme za škody spôsobené počas prepravy, nesprávnym používaním, kolísaním napätia alebo zmenou či úpravou akejkoľvek časti zariadenia.

Aby nedošlo k vzniku požiaru alebo k úrazu elektrickým prúdom, mali by sa pri používaní elektrických zariadení vždy dodržiavať základné opatrenia, vrátane tých nasledujúcich:

1. Uistite sa, že napätie vo vašej zásuvke zodpovedá napätiu uvedenému na štítku zariadenia a že je zásuvka riadne uzemnená. Zásuvka musí byť inštalovaná podľa platnej elektrotechnickej normy STN.
2. Nepoužívajte kanvicu, ak je prívodný kábel alebo vidlica poškodená, ak nepracuje správne, spadla na zem a poškodila sa alebo spadla do vody. **Všetky opravy vrátane výmeny napájacieho prívodu zverte odbornému servisu! Nedemontujte ochranné kryty zariadenia, hrozí nebezpečenstvo úrazu elektrickým prúdom!**
3. Chráňte zariadenie pred priamym kontaktom s vodou a inými tekutinami, aby nedošlo k prípadnému úrazu elektrickým prúdom. Kanvicu ani jej základňu nesmiete ponoriť do vody ani do inej tekutiny!
4. Nepoužívajte kanvicu vonku alebo vo vlhkom prostredí. Nedotýkajte sa prívodného kábla alebo kanvice mokrymi rukami. Hrozí nebezpečenstvo úrazu elektrickým prúdom.

5. Odporúčame nenechávať kanvicu so zasunutým prívodným káblom v zásuvke bez dozoru. Pred údržbou vyťahujete prívodný kábel zo sieťovej zásuvky. Vidlicu nevyťahujte zo zásuvky ťahaním za kábel. Kábel odpojte od zásuvky uchopením za vidlicu.
6. Prívodný kábel sa nesmie dotýkať horúcich častí ani viesť cez ostré hrany.
7. Používajte iba originálne príslušenstvo.
8. Kanvicu by ste nemali ponechať počas chodu bez dozoru.
9. Dbajte na zvýšenú pozornosť, ak používate kanvicu v blízkosti detí. Nikdy nenechávajte manipulovať s prístrojom samotné deti, aby ste ich ochránili pred nebezpečenstvom úrazu elektrickým prúdom. Postavte kanvicu iba na také miesto, aby deti nemali k spotrebiču prístup. Dbajte na to, aby prívod nevisel dole.
10. Kanvicu nekladte na horúci povrch ani ju nepoužívajte v blízkosti zdroja tepla (napr. platne sporáka).
11. Používajte kanvicu iba v súlade s pokynmi uvedenými v tomto návode. Výrobca nezodpovedá za škody spôsobené nesprávnym použitím tohto zariadenia.
12. Počas varu vody alebo krátko po tom, čo voda varom prejde, sa nepokúšajte otvoriť veko, hrozí riziko oparenia ruky parou.
13. Vyvarujte sa postriekania vodou LCD panelu a oblasti, kde sa používajú prevádzkové klávesy. Ak voda vnikne do spotrebiča, môže to spôsobiť jeho neštandardnú prevádzku.
14. Tento spotrebič je určený na použitie v domácnosti a podobných priestoroch, ako sú:
 - kuchynské kúty v obchodoch, kanceláriách a ostatných pracoviskách
 - spotrebiče používané v poľnohospodárstve
 - spotrebiče používané hosťami v hoteloch, motelloch a iných obytných oblastiach
 - spotrebiče používané v podnikoch zaistujúcich nocľah s raňajkami
15. Tento spotrebič môžu používať deti vo veku 8 rokov a staršie a

osoby so zníženými fyzickými, zmyslovými či mentálnymi schopnosťami alebo nedostatkom skúseností a znalostí, ak sú pod dozorom alebo boli poučené o používaní spotrebiča bezpečným spôsobom a rozumejú prípadným nebezpečenstvám. Deti sa so spotrebičom nesmú hrať. Čistenie a údržbu vykonávanú používateľom nesmú vykonávať deti, ak nie sú staršie ako 8 rokov a pod dozorom. Deti mladšie ako 8 rokov sa musia držať mimo dosahu spotrebiča a jeho prívodu.

Dbajte na to, aby kanvica bola postavená na rovnom povrchu, aby nemohlo pri varení dôjsť k prevrhnutiu a úrazu. Počas prevádzky a aj po uvarení sa nedotýkajte vonkajšieho plášťa kanvice ani veka, vonkajšie povrchy sú horúce. Nepoužívajte spotrebič v blízkosti predmetov, ktoré sa môžu poškodiť parou.

Do not immerse in water! – Neponárajte do vody!

NEBEZPEČENSTVO pre deti: Deti sa nesmú hrať s obalovým materiálom. Nenechajte deti hrať sa s plastovými vrecúškami. Nebezpečenstvo udusenía.

UPOZORNENIE

1. Pri plnení kanvice používajte iba studenú vodu.
2. Hladina vody musí byť medzi značkami MAX. a MIN.!
Pri preplnení kanvice by mohlo dôjsť k vystreknutiu horúcej vody.
3. Vypnite kanvicu pred odobratím zo základne.
4. Vždy sa uistite, že je veko dobre zatvorené.
5. Základňa a vonkajšia strana kanvice nesmú byť mokré.
6. Kanvicu používajte vždy iba s dodanou základňou.
7. Nezapínajte kanvicu, ak je prázdna.

Kanvica sa nesmie použiť na ohrev iných kvapalín než je voda! Nikdy do kanvice nevkladajte vrecúška s čajom, sypané čaje ani žiadne iné prímеси na výrobu nápojov!

POKYNY NA POUŽÍVANIE

Pred prvým použitím kanvicu vyberte a jej vnútro umyte bežným saponátom používaným na umývanie riadu. Potom ju opláchnite vlažnou vodou. Pred prvým použitím naplňte kanvicu čistou studenou pitnou vodou po max. úroveň, zapnite ju a vodu uveďte do varu. Následne vodu vylejte a postup aspoň päťkrát zopakujte. Týmto postupom kanvicu riadne vyvaríte a zbavíte sa aj eventuálnej pachuti. Ak máte pocit, že z prevarenej vody cítite pachuť, odporúčame postup opakovať. Ďalším odporúčaním je ponechať prázdnu kanvicu otvorenú 24 hodín. Materiál kanvice prichádzajúci do styku s vodou má atest o zdravotnej neškodnosti. Prípadný mierny „zápach“ alebo „pachuť“ pri prvotnom používaní po vybalení kanvice je bežným javom a nemal by byť dôvodom na reklamáciu spotrebiteľa.

Základná prevádzka

1. Položte základňu na suchú, hladkú a vodorovnú rovinu a zasuňte zástrčku do zásuvky. Po položení kanvice do základne sa automaticky zapne napájanie.
2. Naplňte kanvicu vodou, minimálne po rysku „MIN“ (0,5 l)
3. Stlačte krátko tlačidlo na zapnutie (7), ozve sa pípnutie a v tlačidle vedľa ukazovateľa varu (4) sa rozsvieti dióda, znamená to, že sa voda začne variť.
4. Na displeji (3) môžete pozorovať aktuálnu teplotu vody v kanvici.
5. Hneď ako voda dosiahne var, kontrolka zhasne a ozve sa pípnutie.

Poznámka: ak si prajete varenie ukončiť, stlačte znovu tlačidlo (7). Ozve sa dvojité pípnutie a zhasne kontrolka ukazovateľa varu (4).

Nastavenie a udržanie teploty varu bez prevarenia vody na 100 °C:

Ak si prajete, aby sa var vody prerušil po dosiahnutí vami požadovanej teploty, kanvicu položte na základňu (8) a opakovaným stláčaním tlačidla na ovládanie teploty (6) vyberte požadovanú teplotu (40 °C/55 °C/80 °C /90 °C), táto teplota sa zobrazuje na displeji (3). Hneď ako sa ozve pípnutie, kanvica začne variť. Po dokončení varu na požadovanú teplotu kanvica 3x krátko zapípa, následne kanvica spustí funkciu udržiavania teploty, a to na 24 hodín. Funkcia udržiavania teploty je aktívna, ak svieti dióda vedľa ukazovateľa udržiavania teploty (5). Kanvica začne vodu variť znovu, ak klesne zvolená teplota o 10 °C.

Poznámka: Ukončenie udržiavania teploty môžete zrušiť krátkym stlačením tlačidla na vypnutie (7)

Nastavenie a udržanie teploty varu s prevarením vody na 100 °C:

Ak si prajete, aby sa voda najskôr prevarila na 100 °C a následne udržiavala vami zvolenú teplotu, kanvicu položte na základňu (8) a opakovaným stláčaním tlačidla na ovládanie teploty (6) vyberte požadovanú teplotu (40 °C/55 °C/80 °C /90 °C), táto teplota sa zobrazuje na displeji (3). Následne stlačte tlačidlo na zapnutie (7), ozve sa pípnutie a kanvica začne variť. Rozsvietia sa diódy vedľa ukazovateľa varu (4) a ukazovateľa udržiavania teploty (5). Po dokončení prevarenia vody bude teplota vody v kanvici klesať až na vami zvolenú teplotu, následne kanvica spustí funkciu udržiavania teploty, a to počas 24 hodín. Funkcia udržiavania teploty je aktívna, ak svieti dióda vedľa ukazovateľa udržiavania teploty (5). Kanvica začne vodu variť znovu, ak klesne zvolená teplota o 10 °C.

Poznámka: Ukončenie udržiavania teploty môžete zrušiť krátkym stlačením tlačidla na vypnutie (7).

AKO SA STARAŤ O VAŠU KANVICU

Vonkajší povrch kanvice utrite mäkkou vlhkou handričkou alebo hubkou. Odolné miesta odstráňte handričkou navlhčenou v jemnom tekutom čistiacom prostriedku. Nepoužívajte abrazívne drôtenky alebo iné drsné prostriedky. Nikdy neponárajte spotrebič do vody ani iných kvapalín. Z času na čas, v závislosti od zloženia a tvrdosti vašej vody, sa prirodzene vytvorí usadenina vodného kameňa, ktorá väčšinou prilipne na ohrievacom telese, čím sa znižuje účinnosť ohrevu. Množstvo usadeného vodného kameňa a následne nutnosť čistenia alebo odvápnenia do značnej miery závisí od tvrdosti vody vo vašom regióne a častosti používania kanvice. Takto vzniknutý vodný kameň nie je zdravie škodlivý. Ale ak sa dostane do vášho nápoja, môže dať vášmu nápoju práškovú chuť. Kanvicu by ste preto mali pravidelne odvápnovať, ako je uvedené nižšie.

ODSTRAŇOVANIE VODNÉHO KAMEŇA

Vodný kameň pravidelne odstraňujte. Pri bežnom používaní minimálne 2x ročne.

1. Naplňte kanvicu po rysku „max.“ roztokom jedného dielu obyčajného octu a dvoch dielov vody. Zapnite a počkajte, až sa spotrebič automaticky vypne.
2. Ponechajte roztok pôsobiť cez noc.
3. Nasledujúce ráno roztok zlikvidujte.
4. Naplňte kanvicu čistou vodou až do značky MAX a opäť ju nechajte prejsť varom.
5. Vylejte túto prevarenú vodu, čím sa odstráni aj predchádzajúce zvyšky octu.
6. Vypláchnite kanvicu vnútri čistou vodou.

TECHNICKÉ ÚDAJE

Objem: 1,7 l

Menovité napätie: 220 – 240 V~ 50 – 60 Hz

Menovitý príkon: 1 850 – 2 200 W

VYUŽITIE A LIKVIDÁCIA OBALOV

Baliaci papier a vlnitá lepenka – odovzdajte do zberných surovín alebo kontajnerov na papier. Prebalová fólia, PE vrecúška, plastové obaly alebo diely – do zberných kontajnerov na plasty.

LIKVIDÁCIA VÝROBKU PO UKONČENÍ ŽIVOTNOSTI

Likvidácia použitých elektrických a elektronických zariadení (platí v členských krajinách EÚ a ďalších európskych krajinách so zavedeným systémom triedenia odpadu)

Vyobrazený symbol na produkte alebo na obale znamená, že by sa nemalo s produktom nakladať ako s domovým odpadom. Produkt odovzdajte na miesto určené na recykláciu elektrických a elektronických zariadení. Správnou likvidáciou produktu zabránite negatívnym vplyvom na ľudské zdravie a životné prostredie. Recyklácia materiálov prispieva k ochrane prírodných zdrojov. Viac informácií o recyklácii tohto produktu vám poskytne obecný úrad, organizácia na spracovanie domového odpadu alebo predajné miesto, kde ste produkt kúpili. Nesprávna likvidácia tohto typu odpadu môže byť podľa zákona predmetom udelenia pokuty.



08/05



Tento výrobok spĺňa požiadavky smerníc EÚ o elektromagnetickej kompatibilite a elektrickej bezpečnosti a problematiky ťažkých kovov v elektrických a elektronických zariadeniach. Ďalej potom spĺňa príslušnú energetickú náročnosť a požiadavky na priamy styk s potravinami.

Návod na obsluhu je k dispozícii na webových stránkach www.ecg-electro.eu.
Zmena textu a technických parametrov vyhradená.

VARNOSTNI NAPOTKI

Pazljivo preberite in shranite za morebitno poznejšo uporabo!

Svarilo: Varnostni ukrepi in navodila v tem priročniku ne zajemajo vseh možnih pogojev in situacij, do katerih lahko pride. Uporabnik mora razumeti, da so dejavniki, ki jih ni mogoče vključiti v nobenega izmed izdelkov, zdrav razum, previdnost in skrbnost. Zato mora uporabnik te naprave sam zagotoviti omenjene dejavnike. Na odgovarjamo za škodo, povzročeno pri prevozu, zaradi nepravilne uporabe, nihanja napetosti ali spremembe oziroma modifikacije kateregakoli dela naprave.

Da ne bi prišlo do nastanka požara ali električnega udara, morate pri uporabi električnih naprav vedno upoštevati osnovne ukrepe, med katerimi so tudi naslednji:

1. Preverite, ali napetost vaše vtičnice ustreza napetosti, ki je navedena na ploščici naprave, in ali je vtičnica pravilno ozemljena. Vtičnica mora biti nameščena po veljavnih elektrotehničnih standardih.
2. Ne uporabljajte kotlička, če je priključni kabel ali vtič poškodovan, če ne deluje pravilno, če je padel na tla in se poškodoval ali če je padel v vodo. **Vsa popravila, vključno z menjavo priključnega kabla, zaupajte strokovnemu servisu! Ne odstranjujte zaščitnih pokrovov naprave, obstaja nevarnost električnega udara!**
3. Ščitite napravo pred neposrednim stikom z vodo in drugimi tekočinami, da ne bi prišlo do električnega udara. Kotlička in njegovega podstavka ne smete potopiti v vodo ali v drugo tekočino!
4. Kotlička ne uporabljajte zunaj ali v vlažnem okolju. Ne dotikajte se priključnega kabla ali kotlička z mokrimi rokami. Obstaja nevarnost električnega udara.
5. Priporočamo, da kotlička ne puščate z vstavljenim priključnim kablom v vtičnici brez nadzora. Pred vzdrževanjem izvlecite kabel

iz omrežne vtičnice. Vtiča ne vlecite iz vtičnice z držanjem za kabel. Kabel izključite iz vtičnice tako, da ga primete za vtič.

6. Priključni kabel se ne sme dotikati vročih delov ali biti speljan prek ostrih robov.
7. Uporabljajte samo originale dele.
8. Kotliček med delovanjem ne sme biti brez nadzora.
9. Bodite še posebej pozorni, če kotliček uporabljate v bližini otrok. Nikoli ne puščajte otrok, da sami rokujejo z napravo. Tako jih boste zaščitili pred nevarnostjo električnega udara. Postavite kotliček samo na tako mesto, ki otrokom ni dostopno. Pazite, da priključni kabel ne visi.
10. Kotlička ne odlagajte na vročo površino in ga ne uporabljajte v bližini vira toplote (npr. kuhalne plošče).
11. Kotliček uporabljajte le v skladu z napotki, navedenimi v teh navodilih. Proizvajalec ne odgovarja za škodo, nastalo zaradi nepravilne uporabe te naprave.
12. Med vrenjem vode ali tik zatem, ko voda zavre, ne poskušajte odpreti pokrova, obstaja nevarnost oparin.
13. Izogibajte se pršenju vode po plošči LCD in območju, kjer se uporabljajo delovne tipke. Če voda vdre v aparat, lahko povzroči njegovo neobičajno delovanje.
14. Ta aparat je namenjen za uporabo v gospodinjstvih in podobnih prostorih, kot so:
 - kuhinjski kotički v trgovinah, pisarnah in na ostalih delovnih mestih;
 - aparati, ki se uporabljajo v kmetijstvu;
 - aparati, ki jih gostje uporabljajo v hotelih, motelih in drugih bivalnih prostorih;
 - aparati, ki se uporabljajo v objektih, ki ponujajo nočitev z zajtrkom.
15. Otroci, stari 8 let in več, osebe z zmanjšano fizično, čutno ali umsko sposobnostjo ali osebe, ki nimajo dovolj izkušenj, lahko uporabljajo to napravo samo pod nadzorom, ali če jih je izkušena

oseba podučila o varni uporabi in razumejo vse nevarnosti, povezane z uporabo. Otroci se ne smejo igrati s tem aparatom. Čiščenja in vzdrževanja, ki ga izvaja uporabnik, ne smejo izvajati otroci, če niso starejši od 8 let in pod nadzorom. Aparat in napajalni kabel hranite izven dosega otrok, mlajših od 8 let.

Bodite pozorni, da bo kotliček postavljen na ravno površino, da se pri kuhanju ne bi mogel prevrniti in poškodovati. Med delovanjem in po končanem delovanju se ne dotikajte zunanje površine kotlička in pokrova, zunanje površine so vroče. Aparata ne uporabljajte v bližini predmetov, ki bi jih lahko poškodovala para.

Do not immerse in water! – Ne potaplajte v vodo!

NEVARNO za otroke: Otroci se ne smejo igrati z embalažnim materialom. Ne dovolite, da bi se otroci igrali s plastičnimi vrečkami. Nevarnost zadušitve.

OPOZORILO

1. Pri polnjenju kotlička uporabljajte samo hladno vodo.
2. Nivo vode mora biti med oznakama MAX. in MIN.!
Pri prekomerni napolnjenosti kotlička bi lahko prišlo do brizganja vroče vode. "
3. Izklopite kotliček, preden ga vzamete s podstavka.
4. Vedno se prepričajte, da je pokrov dobro zaprt.
5. Podstavek in zunanja stran kotlička ne smeta biti mokra.
6. Kotliček uporabljajte vedno samo s priloženim podstavkom.
7. Ne vklaplajte kotlička, če je prazen.

Kotlička ne smete uporabljati za segrevanje drugih tekočin razen vode! V kotliček nikoli ne vstavljajte vrečk s čajem, razsutega čaja ali drugih dodatkov za izdelavo pijač!

NAPOTKI ZA UPORABO

Pred prvo uporabo kotliček odstranite in njegovo notranjost pomijte z običajnim detergentom za pomivanje posode. Nato ga izperite z mlačno vodo. Pred prvo uporabo kotliček napolnite s čisto hladno pitno vodo do najvišje oznake za nivo, vklopite ga in vodo zavrite. Nato vodo odlijte in postopek ponovite vsaj petkrat. Na ta način boste kotliček dobro prekuhali in odstranili morebiten neprijeten vonj. Če se vam zdi, da iz prekuhane vode zaznavate neprijeten vonj, priporočamo, da postopek ponovite. Drugo priporočilo je, da pustite prazen kotliček odprt 24 ur. Material kotlička, ki prihaja v stik z vodo, ima potrdilo o zdravstveni neoporečnosti. Morebiten rahel »smrad« ali »neprijeten vonj« pri prvi uporabi po odprtju kotlička je običajen pojav in ni razlog za reklamacijo naprave.

Osnovno delovanje

1. Postavite podstavek na suho, gladko in vodoravno površino in vstavite vtič v vtičnico. Po postavitvi kotlička na podstavek se napajanje samodejno vklopi.
2. Napolnite kotliček z vodo, najmanj do oznake »MIN« (0,5 l)
3. Na kratko pritisnite na tipko za vklop (7), oglasil se bo pisk in dioda poleg kazalca vrenja (4) se bo prižgala. To pomeni, da se voda začne kuhati.
4. Na Prikazovalniku (3) lahko spremljate trenutno temperaturo vode v kotličku
5. Ko voda zavre, kontrolna lučka ugasne in oglasi se pisk.

Opomba: če želite kuhanje končati, ponovno pritisnite na tipko (7). Oglasi se dvojni pisk in kontrolna lučka kazalca vrenja (4) ugasne.

Nastavitev in ohranjanje temperature brez prekuhavanja vode na 100 °C:

Če želite, da bi kuhanje vode prenehalo po doseženi izbrani temperaturi, kotliček postavite na podstavek (8) in s pritiskanjem na tipko za upravljanje temperature (6) izberite zeleno temperaturo (40 °C/55 °C/80 °C/90 °C), izbrana temperatura se prikazuje na prikazovalniku (3). Ko se ogласi pisk, kotliček začne s kuhanjem. Po končanem kuhanju na zeleno temperaturo kotliček 3-krat na kratko zapiska, nato kotliček vklopi funkcijo ohranjanja temperature, ki deluje 24 ur. Funkcija ohranjanja temperature je aktivna, če sveti dioda poleg kazalca ohranjanja temperature (5). Kotliček začne vodo ponovno kuhati, če izbrana temperatura pade za 10 °C.

Opomba: Ohranjanje temperature lahko prekličete s kratkim pritiskom na tipko za izklop (7).

Nastavitev in ohranjanje temperature s prekuhavanjem vode na 100 °C:

Če želite, da bi se voda najprej skuhal na 100 °C in nato ohranjala izbrano temperaturo, kotliček postavite na podstavek (8) in s pritiskanjem na tipko za upravljanje temperature (6) izberite zeleno temperaturo (40 °C/55 °C/80 °C/90 °C), izbrana temperatura se prikazuje na prikazovalniku (3). Nato pritisnite na tipko za vklop (7), oglasil se bo pisk in kotliček bo začel kuhati. Prižgali se bosta diodi poleg kazalca vrenja (4) in kazalca ohranjanja temperature (5). Po končanem kuhanju vode bo temperatura vode v kotličku padala vse do vaše izbrane temperature, nato bo kotliček vklopil funkcijo ohranjanja temperature, ki deluje 24 ur. Funkcija ohranjanja temperature je aktivna, če sveti dioda poleg kazalca ohranjanja temperature (5). Kotliček začne vodo ponovno kuhati, če izbrana temperatura pade za 10 °C.

Opomba: Ohranjanje temperature lahko prekličete s kratkim pritiskom na tipko za izklop (7).

KAKO NEGOVATI SVOJ KOTLIČEK

Zunanjo površino kotlička obrišite z mehko krpo ali gobico. Odpornejše madeže odstranite s krpo, navlaženo v blago tekoče čistilno sredstvo. Ne uporabljajte žične gobice ali drugih grobih sredstev. Nikoli ne potaplajte aparata v vodo ali druge tekočine.

Občasno se glede na sestavo – in trdoto – vaše vode naravno ustvarja usedlina vodnega kamna, ki se večinoma prilepi na grelno telo, s čimer zmanjšuje učinkovitost gretja. Količina usedlin vodnega kamna in posledična potreba po čiščenju ali odstranjevanju vodnega kamna je odvisna predvsem od trdote vode na vašem območju in pogostosti uporabe kotlička. Tako nastali vodni kamen za zdravje ni škodljiv. Toda, če pride v vaše pijače, jim lahko da okus po prašku. Iz kotlička je za to treba redno odstranjevati vodni kamen, kot je navedeno spodaj.

ODSTRANJEVANJE VODNEGA KAMNA

Vodni kamen odstranujte redno. Pri običajni uporabi najmanj 2× letno.

1. Kotliček do oznake »max« napolnite z raztopino enega dela običajnega kisa in dveh delov vode. Vključite in počakajte, da se aparat samodejno izklopi.
2. Pustite raztopino delovati čez noč.
3. Naslednje jutro raztopino odstranite.
4. Kotliček napolnite s čisto vodo do oznake MAX in jo prekuhajte.
5. Odlijte prekuhano vodo, s čimer boste odstranili tudi predhodne ostanke kisa.
6. Izperite notranjost kotlička s čisto vodo.

TEHNIČNI PODATKI

Prostornina: 1,7 l

Nazivna napetost: 220–240 V~ 50–60 Hz

Nazivna vhodna moč: 1850–2200 W

PREDELAVA IN ODSTRANITEV EMBALAŽE

Embalažni papir in karton – oddajte v zbirni center za ločevanje odpadkov ali v zabojnike za papir. Folijska, plastična vrečka, plastična embalaža ali deli – v ločevalne zabojnike za plastiko.

ODSTRANITEV IZDELKA NA KONCU ŽIVLJENJSKE DOBE

Odstranjevanje rabljenih električnih in elektronskih naprav (velja v državah članicah EU in drugih evropskih državah z vzpostavljenim sistemom za ločevanje odpadkov).

Prikazani simbol na izdelku ali na embalaži pomeni, da z izdelkom ni dovoljeno ravnati kot z gospodinjskim odpadkom. Izdelek izročite v zbirno mesto, namenjeno za reciklažo električnih in elektronskih naprav. S pravilno odstranitvijo izdelka preprečite negativne vplive na človeško zdravje in okolje. Recikliranje materialov prispeva k zaščiti naravnih virov. Več informacij glede reciklaže tega izdelka dobite na lokalni upravni enoti, v podjetju, ki se ukvarja s predelavo odpadkov, ali pa v prodajalni, kjer ste kupili izdelek. Nepravilno odlaganje tega tipa odpadkov je lahko kaznivo.



08/05



Ta izdelek izpolnjuje zahteve direktiv EU o elektromagnetni združljivosti in električni varnosti ter problematiki težkih kovin v električnih in elektronskih napravah. Nadalje izpolnjuje ustrezno energetska učinkovitost in zahteve za neposredni stik z živili.

Navodila za uporabo so na voljo na spletnih straneh www.ecg-electro.eu.
Pravica do spremembe besedila in tehničnih parametrov pridržana.

BEZBEDNOSTNA UPUTSTVA**Pažljivo pročitajte i sačuvajte za buduću upotrebu!**

Upozorenje: Mere sigurnosti i uputstva u ovom priručniku ne pokrivaju sve moguće uslove i situacije koje se mogu dogoditi. Korisnik mora razumeti da su zdrav razum, briga i marljivost faktori koji se ne mogu ugraditi ni u jedan od proizvoda. Te faktore stoga mora osigurati sam korisnik (korisnici) koji koriste i rukuju ovim uređajem. Ne snosimo odgovornost za štetu nastalu tokom transporta, zbog nepravilne upotrebe, variranja napona ili promene ili modifikacije bilo kojeg dela opreme.

Da biste smanjili rizik od požara, strujnog udara, uvek se treba pridržavati osnovnih mera opreza pri korišćenju električne opreme, uključujući i sledeće:

1. Proverite da li napon u Vašoj utičnici odgovara naponu navedenom na tipskoj etiketi uređaja i da li je utičnica ispravno uzemljena. Utičnica mora biti ugrađena u skladu sa važećim električnim standardom ČSN.
2. Nemojte koristiti kuvalo za vodu ako je kabl za napajanje ili utikač oštećen, ako ne radi ispravno, ako je pao na tlo ili ako je oštećen ili ako je pao u vodu. **Sve popravke, uključujući i zamenu napajanja, neka obavlja specijalizovani servis! Ne skidajte zaštitne poklopce uređaja, postoji opasnost od strujnog udara!**
3. Zaštitite uređaj od direktnog kontakta sa vodom i drugim tečnostima kako biste sprečili strujni udar. Ne uranjajte kuvalo za vodu ili njegovo postolje u vodu ili u bilo koju drugu tečnost!
4. Ne koristite kuvalo za vodu na otvorenom ili u vlažnom okruženju. Ne dirajte električni kabl ili kuvalo za vodu mokrim rukama. Postoji opasnost od električnog udara.
5. Preporučujemo da kuvalo za vodu sa uključenim kablom za napajanje u utičnici ne ostavljate bez nadzora. Pre održavanja izvucite kabl za elektronapajanje iz utičnice. Nemojte izvlačiti

utikač iz utičnice držeći ga za kabl. Kabl izvlačite iz utičnice držeći ga za utikač!

6. Električni kabl ne sme dodirivati vruće delove ili prelaziti preko oštih rubova.
7. Koristite samo originalnu opremu.
8. Kuvalo za vodu ne sme se ostaviti bez nadzora tokom rada.
9. Oprez prilikom upotrebe kuvala ako su u blizini prisutna deca. Nikada ne dopustite deci da rukuju uređajem kako biste ih zaštitili od opasnosti od strujnog udara. Kuvalo za vodu postavite samo na takvo mesto da deca nemaju pristup uređaju. Vodite računa da kabl ne visi.
10. Ne stavljajte kuvalo za vodu na vruću površinu ili blizu izvora toplote (na primer, blizu ploče za kuvanje).
11. Kuvalo koristite samo u skladu sa uputstvima u ovom priručniku.
16. Proizvođač ne odgovara za štete nastale zbog nepravilne upotrebe ovog uređaja.
12. Ne pokušavajte otvoriti poklopac dok voda ključa ili ubrzo nakon što voda proključa. Postoji opasnost da Vam para opeče ruke.
13. Izbegavajte prskanje vode po LCD panelu i područjima gdje se koriste dugmad za upravljanje. Ako voda uđe u uređaj, može prouzrokovati nepravilan rad.
14. Ovaj uređaj je namenjen za korišćenje u kući i sličnim područjima kao što su:
 - čajne kuhinje u prodavnicama, kancelarijama i drugim radnim mestima;
 - aparati koji se koriste u poljoprivredi;
 - uređaji koje gosti koriste u hotelima, motelima i drugim stambenim prostorima;
 - aparati koji se koriste u objektima za noćenje i doručak.
15. Ovaj aparat mogu da koriste deca od 8 godina i starija, kao i osobe sa smanjenim psihofizičkim ili mentalnim sposobnostima odnosno nedostatkom iskustava i znanja samo ako su pod

nadzorom ili ako su bile upućene o načinu bezbednog načina upotrebe ovog uređaja. Deci je zabranjeno da se igraju sa aparatom. Čišćenje i održavanje za koje brine korisnik, ne smeju da vrše deca mlađa od 8 godina bez nadzora odrasle osobe. Djeca mlađa od 8 godina moraju se držati izvan dohvata uređaja i njegovog priključka.

Pobrinite se da je kuvalo za vodu postavljeno na ravnu površinu kako biste sprečili da se prevrne i povredi korisnika tokom kuvanja. Ne dirajte spoljašnje kućište kuvala ili poklopac tokom ili nakon kuvanja. Njegove spoljašnje površine su vruće. Nemojte koristiti uređaj u blizini predmeta koji se mogu oštetiti parom.

Nemojte uređaj uranjati u vodu! - Ne uranjajte uređaj u vodu!

OPASNOST za decu: Deca se ne smeju igrati sa ambalažom. Ne dopustite deci da se igraju plastičnim vrećicama. Opasnost od gušenja.

UPOZORENJE

1. Za punjenje kuvala koristite samo hladnu vodu.
2. Nivo mora biti između znakova "MIN" i "MAX"!
Ako je kuvalo prekomerno napunjeno, može doći do prskanja vrele vode.
3. Isključite kuvalo za vodu pre nego što ga skinete sa postolja.
4. Uverite se da je poklopac dobro zatvoren.
5. Postolje i spoljašnja strana kuvala ne smeju biti mokri.
6. Kuvalo koristite zajedno sa originalnim postoljem.
7. Nikada ne uključujte kuvalo ako je prazno.

Kuvalo se ne sme koristiti za grejanje neke druge tečnosti osim vode! Nikada nemojte u kuvalo za vodu stavljati vrećice čaja, čaj u rinfuzi ili bilo koje druge sastojke za pripremu pića!

UPUTSTVA ZA UPOTREBU

Pre prve upotrebe kuvala za vodu, operite ga iznutra običnim deterdžentom za pranje posuđa. Zatim ga operite mlakom vodom. Pre prve upotrebe napunite kuvalo čistom, hladnom pitkom vodom do maksimalnog nivoa, uključite ga i zakuvajte vodu. Zatim izlijte vodu i ponovite postupak najmanje pet puta. Ovim postupkom kuvalo će prokuvati kako treba i rešićete se svakog okusa. Ako osetite miris prokuvane vode, preporučujemo da ponovite postupak. Druga preporuka je da se prazan čajnik ostavi otvorenim 24 časa. Materijal kuvala koji dolazi u dodir sa vodom ima zdravstveni sertifikat. Svaki blagi "miris" ili "miris" tokom prve upotrebe nakon vađenja iz ambalaže kuvala je uobičajen i ne bi trebao biti razlog za pritužbu na uređaj.

Osnovni način rada.

1. Postavite postolje na suhu, glatku i vodoravnu površinu i uključite utikač u utičnicu za elektronapajanje. Kada stavite kuvalo za vodu u postolje, napajanje se automatski uključuje.
2. Napunite kuvalo vodom, najmanje do oznake "MIN" (0,5 l).
3. Kratko pritisnite dugme za uključivanje (7), oglasice se zvučni signal i taster pored indikatora ključanja (4) će zasvetliti diodu, što znači da će voda početi da ključa.
4. Na ekranu (3) možete videti trenutnu temperaturu vode u kвалу.
5. Kada voda uzavri, svetlo se gasi i čuje se zvučni signal.

Napomena: Ako želite da prekinete kuvanje, ponovo pritisnite dugme (7). Čuje se dvostruki zvuk i dioda za oznaku ključanja (4) se gasi.

Postavljanje i održavanje temperature kuvanja bez ključale vode na 100 °C:

Ako želite da prekinete kuvanje vode kada se postigne željena temperatura, stavite kuvalo za vodu na postolje (8) i postavite željenu temperaturu (40 °C / 55 °C / 80 °C / 90 °) pritiskanjem više puta regulatora temperature - taster (6), ova temperatura se prikazuje na ekranu (3). Čim se javi zvučni signal, kuvalo za vodu počinje da ključa. Nakon ključanja na željenoj temperaturi, kuvalo za vodu 3 puta kratko pišti, a zatim se pokreće funkcija za održavanja temperature tokom narednih 24 časa. Funkcija održavanja toplote je aktivna kada zasvetli LED pored indikatora održavanja toplote (5). Kuvalo za vodu ponovo počinje da kuva vodu kada odabrana temperatura padne za 10 °C.

Napomena: Održavanje temperature možete prekinuti kratkim pritiskom na taster za uključivanje/isključivanje (7).

Postavljanje i održavanje temperature kuvanja sa ključalom vodom na 100 °C:

Ako želite da voda prvo ključa na 100 °C, a zatim da se održava željena temperatura, stavite kuvalo za vodu na postolje (8) i odaberite željenu temperaturu (40 °C / 55 °C / 80°C / 90 °C) pritiskanjem više puta regulatora temperature - tipka (6). Ova temperatura se prikazuje na ekranu (3). Zatim pritisnite taster za uključivanje (7), oglasice se zvučni signal i kuvalo za vodu će početi da kuva. Upaliće se LED diode pored indikatora vrenja (4) i indikatora održavanja temperature (5). Nakon ključanja vode, temperatura vode u kotliću će pasti na temperaturu koju ste odabrali, a zatim će kuvalo za vodu pokrenuti funkciju održavanja temperature tokom narednih 24 časa. Funkcija održavanja toplote je aktivna kada zasvetli LED pored indikatora održavanja toplote (5). Kuvalo za vodu ponovo počinje da kuva vodu kada odabrana temperatura padne za 10 °C.

Napomena: Održavanje temperature možete prekinuti kratkim pritiskom na taster za

uključivanje/isključivanje (7).

KAKO ČUVATI VAŠE KUVALO

Obrišite spoljašnju stranu uređaja mekanom i vlažnom krpom ili spužvom. Uklonite tvrdokorne ostatke krpom navlaženom blagim tekućim deterdžentom. Ne koristite abrazivne žičane spužve ili druga agresivna sredstva. Nikada ne uranjajte uređaj u vodu ili u druge tečnosti.

S vremena na vreme, zavisno od sastava - i tvrdoće - Vaše vode, prirodno se stvaraju naslage kamenca koje se obično lepe za radijator, smanjujući delotvornost grejanja. Količina nataloženog kamenca, a time i potreba za čišćenjem ili uklanjanjem kamenca u velikoj meri zavisi od tvrdoće vode u Vašoj regiji i od učestalosti korišćenja kuvala za vodu. Tako formirani kamenac nije štetan po zdravlje. Ali ako uđe u Vaše piće, može Vašem napitku dati okus kamenog praha. Stoga iz kuvala za vodu treba redovno uklanjati kamenac kao što je opisano u nastavku.

UKLANJANJE VODENOG KAMENCA

Vodeni kamenac redovno uklanjajte. Prilikom normalne upotrebe, najmanje dva puta godišnje.

1. Napunite kuvalo za vodu do oznake "Max" rastvorom jednog dela običnog sirćeta i dva dela vode. Uključite i sačekajte da se aparat ponovo automatski isključi.
2. Ostavite rastvor da deluje preko noći.
3. Rastvor izbacite sledećeg jutra.
4. Napunite kuvalo čistom vodom do oznake "Max" i pustite da ponovo prokuva.
5. Izlijte ovu prokuvanu vodu koja će ukloniti prijašnje ostatke sirćeta.
6. Isperite kuvalo iznutra čistom vodom.

TEHNIČKI PODACI

Zapremina: 1,7 l

Nominalni napon : 220–240 V~ 50-60 Hz

Nominalna ulazna snaga: 220 - 240 V~ 50 - 60 Hz. 1850-2200 W

UPOTREBA I ODLAGANJE AMBALAŽE

Papir za pakovanje i valoviti karton – predati firmi za prikupljanje sirovina ili posuda za papir. Folija za obmotavanje, PE vrećice, plastična ambalaža ili delovi - za sabirne posude za plastiku.

LIKVIDACIJA PROIZVODA NAKON ISTEKA VEKA TRAJANJA

Zbrinjavanje stare električne i elektronske opreme (važi u zemljama članicama EU i ostalim evropskim zemljama sa uspostavljenim sistemom razvrstavanja otpada).

Simbol prikazan na proizvodu ili na pakovanju znači da se proizvod ne sme zbrinjavati kao kućni otpad. Odložite proizvod na mesto za recikliranje električne i elektronske opreme. Pravilnim odlaganjem ovog proizvoda pomoći ćete u sprečavanju potencijalnih negativnih posledica po životnu sredinu i po zdravlje ljudi. Reciklaža materijala pomoći će očuvanju prirodnih resursa. Detaljnije informacije o reciklaži ovog proizvoda dobićete od mesnog ureda, firme za likvidaciju kućnog otpada ili u prodavnici u kojoj ste kupili proizvod. Nepropisno odlaganje ove vrste otpada može biti podložno zakonskim kaznama.



08/05



Ovaj proizvod je u skladu sa zahevima EU direktiva o elektromagnetnoj kompatibilnosti i električnoj sigurnosti te problemu teških metala u električnoj i elektronskoj opremi. Dalje, ispunjava relevantne energetske zahteve i zahteve za

direktan kontakt sa hranom.

Uputstva za upotrebu naći ćete na internet stranicama www.ecg-electro.eu.
Tekst i tehnički parametri podložni su promenama.

ΟΔΗΓΙΕΣ ΑΣΦΑΛΕΙΑΣ**Διαβάστε προσεκτικά και φυλάξτε για μελλοντική χρήση!**

Προειδοποίηση: Οι οδηγίες ασφαλείας και οι επισημάνσεις που αναφέρονται στις παρούσες οδηγίες δεν περιλαμβάνουν όλες τις πιθανές προϋποθέσεις και καταστάσεις, οι οποίες μπορούν να συμβούν. Ο χρήστης πρέπει να κατανοεί ότι το στοιχείο που δεν μπορούμε να ενσωματώσουμε σε κανένα από τα προϊόντα μας, είναι η σωστή κρίση, η προσεκτικότητα και η φροντίδα. Αυτοί οι παράγοντες πρέπει να έχουν εξασφαλισθεί από τον χρήστη/χρήστες που χρησιμοποιούν την συσκευή. Δεν φέρνουμε ευθύνη για ζημιές που έχουν προξενηθεί κατά την διάρκεια μεταφοράς, για λόγους εσφαλμένης χρήσης, για λόγους εναλλαγής τάσης ή εξαιτίας τροποποίησης ή αλλαγής οποιουδήποτε εξαρτήματος της συσκευής.

Προκειμένου να μη προξενευτεί πυρκαγιά ή τραυματισμός από ηλεκτροπληξία, πρέπει κατά την χρήση των ηλεκτρονικών συσκευών να τηρούνται βασικοί κανόνες, συμπεριλαμβανομένων και των ακόλουθων:

3. Βεβαιωθείτε ότι η τάση στην πρίζα αντιστοιχεί στην τάση που αναφέρεται στην σήμανση της συσκευής και η πρίζα είναι ορθώς γειωμένη. Η πρίζα πρέπει να είναι τοποθετημένη σύμφωνα με ισχύουσα ηλεκτροτεχνική οδηγία CSN."
4. Μη χρησιμοποιείτε τον βραστήρα, εφόσον το καλώδιο τροφοδοσίας ή το βύσμα έχει φθορά, δεν λειτουργεί ορθά ή έχει πέσει κάτω και έχει υποστεί ζημιά ή έχει πέσει σε νερό. **Όλες οι επισκευές συμπεριλαμβανομένου της αλλαγής του καλωδίου τροφοδοσίας πρέπει να γίνουν από εξουσιοδοτημένο συνεργείο! Μη αποσυνδέετε καπάκια ασφαλείας της συσκευής, υπάρχει κίνδυνο ηλεκτροπληξίας!**
5. Προστατεύστε τη συσκευή από άμεση επαφή με νερό ή άλλα υγρά, για να μη προξενευτεί τραυματισμός από ηλεκτροπληξία.

Απαγορεύεται να βυθίζετε τον βραστήρα ή την βάση του στο νερό ή σε άλλο υγρό!

6. Μη χρησιμοποιείτε τον βραστήρα σε εξωτερικό χώρο ή σε χώρο με υγρασία. Μη αγγίζεται το καλώδιο τροφοδοσίας ή τον βραστήρα με βρεγμένα χέρια. Υπάρχει κίνδυνος ηλεκτροπληξίας.
7. Συστήνουμε να μην αφήνετε τον βραστήρα με το καλώδιο τροφοδοσίας συνδεδεμένο στην πρίζα χωρίς επίβλεψη. Πριν την συντήρηση, αποσυνδέστε το καλώδιο τροφοδοσίας από την πρίζα ρεύματος. Μην τραβάτε το καλώδιο προκειμένου να βγει το βύσμα από την πρίζα. Αποσυνδέστε το καλώδιο πιάνοντας το βύσμα.
8. Το καλώδιο τροφοδοσίας δεν πρέπει να ακουμπάει καυτές επιφάνειες ούτε να οδηγεί μέσα σε αιχμηρές γωνίες. Το καλώδιο τροφοδοσίας δεν πρέπει να αγγίζει καυτά μέρη ή να περνάει πάνω από αιχμηρές άκρες.
7. Να χρησιμοποιείτε μόνο γνήσια εξαρτήματα.
8. Ο βραστήρας δεν πρέπει να μένει κατά την λειτουργία του χωρίς επίβλεψη.
9. Λάβετε αυξημένα μέτρα προστασίας, εφόσον χρησιμοποιείτε τον βραστήρα κοντά στα παιδιά. Ποτέ μην αφήνετε να χρησιμοποιούν τον βραστήρα τα παιδιά, προκειμένου να τα προστατέψετε από κίνδυνο τραυματισμού από ηλεκτροπληξία. Τοποθετήστε τον βραστήρα μόνο σε σημείο, που να μη μπορούν να τον πλησιάζουν παιδιά. Μεριμνήστε να μη κρέμεται το καλώδιο τροφοδοσίας προς τα κάτω.
10. Μην ακουμπάτε τον βραστήρα σε καυτή επιφάνεια ούτε να τον χρησιμοποιείτε κοντά σε εστίες θέρμανσης (π.χ. μάτι κουζίνας).
11. Να χρησιμοποιείτε τον βραστήρα μόνο σύμφωνα με τις παρούσες οδηγίες. Ο κατασκευαστής δεν ευθύνεται για ζημιές που έχουν προξενευτεί από λανθασμένη χρήση της συσκευής.

12. Μη προσπαθείτε να ανοίξετε το καπάκι κατά τη διάρκεια βρασίματος του νερού ή αμέσως μετά, υπάρχει κίνδυνος εγκαύματος του χεριού από τον ατμό.
13. Αποφύγετε να εισχωρήσει νερό στη θόνη LCD και σε σημεία που υπάρχουν πλήκτρα λειτουργίας. Εφόσον εισχωρήσει το νερό στην συσκευή, μπορεί να προξενήσει ανώμαλη λειτουργία.
14. Η παρούσα συσκευή προσδιορίζεται για την χρήση σε οικίες και σε παρόμοιους χώρους, όπως π.χ.:
 - χώροι κουζίνας σε καταστήματα, γραφεία και λοιπούς χώρους
 - συσκευές που χρησιμοποιούνται σε γεωργία
 - συσκευές που χρησιμοποιούνται από τους πελάτες σε ξενοδοχεία, ξενώνες και λοιπούς κατοικήσιμους χώρους
 - συσκευές που χρησιμοποιούνται σε επιχειρήσεις που προσφέρουν φιλοξενία με πρωινό
15. Την παρούσα συσκευή μπορούν να χρησιμοποιούν παιδιά άνω των 8 ετών καθώς και άτομα με μειωμένες σωματικές, αισθητηριακές και διανοητικές ικανότητες ή όσοι δεν έχουν εμπειρία ή γνώση, εφόσον τους παρέχεται επίβλεψη ή καθοδήγηση σχετικά με την ασφαλή χρήση της συσκευής και εφόσον κατανοούν τους πιθανούς κινδύνους. Τα παιδιά δεν πρέπει να παίζουν με την συσκευή. Το καθάρισμα και η συντήρηση που εκτελείται από τον χρήστη απαγορεύεται να γίνεται από παιδιά, εφόσον δεν είναι άνω των 8 ετών και υπό επίβλεψη. Τα παιδιά κάτω των 8 ετών πρέπει να βρίσκονται σε απόσταση από το συσκευή και το καλώδιο τροφοδοσίας του.

Μεριμνήστε να τοποθετηθεί ο βραστήρας σε επίπεδη επιφάνεια, ώστε να μη πέσει κατά την διάρκεια μαγειρέματος και προκαλέσει τραυματισμό. Κατά την λειτουργία του και μετά το μαγείρεμα, μην αγγίζετε την εξωτερική επιφάνεια του βραστήρα ούτε το καπάκι του, η εξωτερική επιφάνεια είναι καυτή. Μη χρησιμοποιείτε τη

συσκευή κοντά σε αντικείμενα, τα οποία μπορούν να καταστραφούν με ατμό.

Do not immerse in water! – Μη βυθίζετε στο νερό!

ΚΙΝΔΥΝΟΣ για τα παιδιά: Τα παιδιά απαγορεύεται να παίζουν με το υλικό συσκευασίας. Μη αφήνετε τα παιδιά να παίζουν με τις πλαστικές σακούλες. Κίνδυνος ασφυξίας.

ΠΡΟΕΙΔΟΠΟΙΗΣΗ

1. Για το Κατά το γέμισμα του βραστήρα χρησιμοποιείτε μόνο κρύο νερό.
2. Η στάθμη νερού πρέπει να βρίσκεται μεταξύ του σημείου MAX. και MIN.! Κατά την υπερβολική πλήρωση του βραστήρα θα μπορούσε να εκτοξευθεί ζεστό νερό.
3. Απενεργοποιήστε τον βραστήρα, πριν τον αφαιρέσετε από την βάση του.
4. Επιβεβαιωθείτε πάντα, ότι το καπάκι έχει κλείσει σωστά. είναι καλά κλειστό.
5. Η βάση και η εξωτερική πλευρά του βραστήρα δεν πρέπει να είναι βρεγμένη.
6. Χρησιμοποιήστε τον βραστήρα μόνο με την αυθεντική βάση του.
7. Μην ενεργοποιείτε τον βραστήρα ενώ είναι άδειος.

Ο βραστήρας απαγορεύεται να χρησιμοποιηθεί για το ζέσταμα άλλων υγρών έκτος από το νερό! Ποτέ μη εισάγετε στον βραστήρα σακούλες με τσάι, χύμα τσαγιού ούτε άλλα μείγματα για παρασκευή ροφημάτων!

ΟΔΗΓΙΕΣ ΧΡΗΣΗΣ

Πριν από την πρώτη χρήση, αφαιρέστε τον βραστήρα και πλύνετε το εσωτερικό του με συνηθισμένο καθαριστικό για πλύσιμο πιάτων. Κατόπιν ξεπλύνετε τον με χλιαρό νερό. Πριν από την πρώτη χρήση γεμίστε τον βραστήρα με καθαρό, κρύο, πόσιμο νερό μέχρι το μέγιστο επιτρεπόμενο όριο max, ενεργοποιήστε τον και αφήστε το νερό να βράσει. Στην συνέχεια αδειάστε το νερό και επαναλαμβάνεται την διαδικασία τουλάχιστον για άλλες πέντε φορές. Με τη διαδικασία αυτή θα εβράσετε σωστά τον βραστήρα και θα απαλλαγείτε και από πιθανή οσμή. Εφόσον έχετε αίσθηση, ότι από το βρασμένο νερό αντιλαμβάνεστε οσμή, συστήνουμε να ξανά

επαναλαμβάνεται τη διαδικασία. Άλλη σύσταση είναι να αφήσετε τον άδειο βραστήρα ανοιχτό για 24 ώρες. Το υλικό του βραστήρα που έρχεται σε επαφή με νερό έχει πιστοποίηση ως αβλαβή για την υγεία. Η ενδεχόμενη ελαφριά «οσμή» ή «δυσάρεστη γεύση» κατά την πρώτη χρήση μετά την αποσυσκευασία του βραστήρα είναι συνηθισμένο φαινόμενο και δεν πρέπει να αποτελεί λόγο διαμαρτυρίας για τη συσκευή.

Βασική λειτουργία

1. Τοποθετήστε την βάση σε μια στεγνή, λεία και επίπεδη επιφάνεια και τοποθετήστε το βύσμα στην πρίζα. Αφού τοποθετήσετε τον βραστήρα στην βάση, θα ξεκινήσει αυτομάτως η τροφοδοσία του ρεύματος.
2. Γεμίστε τον βραστήρα με νερό τουλάχιστον μέχρι την ένδειξη „MIN“ (0,5l)
3. Πατήστε σύντομα τον διακόπτη της ενεργοποίησης (7), θα ακουστεί σύντομος ήχος και στο πλήκτρο δίπλα στην ένδειξη βράσης (4) θα ανάψει η δίοδος, σημαίνει, ότι το νερό αρχίζει να βράζει.
4. Στην οθόνη (3) μπορείτε να παρακολουθείται την τρέχουσα θερμοκρασία του νερού στον βραστήρα.
5. Μόλις το νερό βράσει, το φωτάκι θα σβήσει και θα ακουστεί ήχος.

Σημείωση: εφόσον επιθυμείτε να διακόψετε την βράση, πατήστε πάλι το πλήκτρο (7). Θα ακουστεί διπλός ήχος και η ένδειξη βράσης θα σβήσει (4).

Ρύθμιση και διατήρηση της θερμοκρασίας Βράσης χωρίς ξαναβράσιμο του νερού στους 100°C:

Εφόσον επιθυμείτε να σταματήσει η βράση σε συγκεκριμένη θερμοκρασία, τοποθετήστε τον βραστήρα στην βάση (8) και πατώντας επανειλημμένα το κουμπί ρύθμισης θερμοκρασίας (6), διαλέξτε την επιθυμητή θερμοκρασία (40 °C/55 °C/80 °C /90 °C), η θερμοκρασία αυτή απεικονίζεται στην οθόνη (3). Όταν ακουστεί σύντομος ήχος, ο βραστήρας θα ξεκινήσει να βράζει. Φτάνοντας την βράση στην επιθυμητή θερμοκρασία, ο βραστήρας θα πιπίσει 3 φορές σύντομο ήχο και στην συνέχεια θα ξεκινήσει την λειτουργία διατήρησης της ερμοκρασίας και αυτό για χρονικό διάστημα 24 ωρών. Η λειτουργία διατήρησης της θερμοκρασίας είναι ενεργή, εφόσον είναι αναμμένη η δίοδος δίπλα στην ένδειξη διατήρησης της θερμοκρασίας (5). Ο βραστήρας θα ξεκινήσει τη βράση, εφόσον μειωθεί η επιθυμητή θερμοκρασία κατά 10°C.

Σημείωση: Την συντήρηση της θερμοκρασία μπορείτε να τη σταματήσετε, πιέζοντας σύντομα το κουμπί απενεργοποίησης (7).

Ρύθμιση και διατήρηση της θερμοκρασίας βράσης με το ξαναβράσιμο του νερού στους 100°C:

Εφόσον επιθυμείτε, το νερό πρώτα να ξαναβράσει στους 100°C και στην συνέχεια να συντηρεί την θερμοκρασία που επιλέξατε, τοποθετήστε τον βραστήρα στη βάση (8) και πατώντας επανειλημμένα το κουμπί ρύθμισης θερμοκρασίας (6) διαλέξτε την επιθυμητή θερμοκρασία (40 °C/55 °C/80 °C /90 °C), η θερμοκρασία αυτή απεικονίζεται στην οθόνη (3). Στην συνέχεια πατήστε το κουμπί ενεργοποίησης (7), θα ακουστεί ένας ήχος μπιπ και ο βραστήρας θα ξεκινήσει την λειτουργία του. Θα ανάψουν οι δίοδοι δίπλα στην Ένδειξη βράσης (4) και οι ενδείξεις διατήρησης της θερμοκρασίας (5). Αφού συντελεστεί η βράση του νερού, η θερμοκρασία του νερού στον βραστήρα θα μειώνεται μέχρι την επιθυμητή θερμοκρασία και στην συνέχεια ο βραστήρας θα ξεκινήσει την λειτουργία διατήρησης της θερμοκρασίας και αυτό για χρονικό διάστημα 24 ωρών. Η λειτουργία διατήρησης της θερμοκρασίας είναι ενεργή, εφόσον είναι αναμμένη η δίοδος δίπλα στην ένδειξη διατήρησης της θερμοκρασίας (5). Ο βραστήρας θα ξεκινήσει πάλι τη βράση, εφόσον μειωθεί η επιθυμητή θερμοκρασία κατά 10°C.

Σημείωση: Την διατήρηση της θερμοκρασίας μπορείτε να την σταματήσετε, πιέζοντας σύντομα το κουμπί απενεργοποίησης (7).

ΠΩΣ ΝΑ ΦΡΟΝΤΙΖΕΤΕ ΤΟΝ ΒΡΑΣΤΗΡΑ ΣΑΣ

Το εξωτερικό μέρος του βραστήρα σκουπίστε με μαλακή, νωπή πετσέτα ή σφουγγάρι. Τα επίμονα σημεία αφαιρέστε με πανί ποτισμένο σε ήπιο υγρό καθαρισμού. Μην χρησιμοποιείτε αποξεστικά συρματένια σφουγγαράκια ή άλλα ισχυρά καθαριστικά. Ποτέ μη βυθίζετε την συσκευή στο νερό ή σε άλλο υγρό.

Κατά καιρούς, αναλόγως της σύνθεσης - και της σκληρότητας - του νερού σας, θα δημιουργηθεί ίζημα υδάτινου πουρι, το οποίο συνήθως θα κολλήσει στη θερμάστρα, μειώνοντας έτσι την απόδοση του βραστήρα. Η ποσότητα του επικαθήμενου υδάτινου πουρι και κατά συνέπεια η ανάγκη καθαρισμού και αφαλάτωσης εξαρτάται από την σκληρότητα του νερού στην περιοχή σας και από την συχνότητα της χρήσης του βραστήρα. Το έτσι σχηματισμένο υδάτινο πουρι δεν προκαλεί βλάβη στην υγεία. Εφόσον βρεθεί όμως στο ρόφημά σας, μπορεί να προσθέσει στο ρόφημά σας γεύση σκόνης. Για αυτό το λόγω ο βραστήρας θα πρέπει να αφαλατώνεται τακτικά, όπως και περιγράφεται παρακάτω.

ΑΦΑΛΑΤΩΣΗ ΤΟΥ ΥΔΑΤΙΝΟΥ ΠΟΥΡΙ

Να προβαίνετε συχνά στην αφαλάτωση του υδάτινου πουρι. Κατά την συνήθης χρήση τουλάχιστον 2 φορές το χρόνο.

1. Γεμίστε τον βραστήρα μέχρι την ένδειξη «max» χρησιμοποιώντας διάλυμα από 1 τμήμα ξύδι και 2 τμήματα νερού. Ενεργοποιήστε και περιμένετε έως η συσκευή να απενεργοποιηθεί αυτόματα.
2. Αφήστε το διάλυμα να δράσει όλη τη νύχτα.
3. Το επόμενο πρωί καταστρέψτε το διάλυμα
4. Γεμίστε τον βραστήρα με καθαρό νερό μέχρι την ένδειξη MAX και αφήστε την να βράσει ξανά
5. Αδειάστε το βρασμένο νερό, με το ότι θα αφαιρεθούν και τα προηγούμενα υπολείμματα του ξυδιού.
6. Ξεπλύνετε το εσωτερικό του βραστήρα με καθαρό νερό.

ΤΕΧΝΙΚΑ ΣΤΟΙΧΕΙΑ

Χωρητικότητα: 1,7 λίτρα

Ονομαστική τάση: 220–240 V~ 50-60 Hz

Ονομαστική ισχύς: 1850–2200 W

ΧΡΗΣΗ ΚΑΙ ΑΠΟΡΡΙΨΗ ΣΥΣΚΕΥΑΣΙΩΝ

Το χαρτί συσκευασίας και το χαρτί περιτυλίγματος και το κυματοειδές χαρτόνι - να παραδοθούν στο σημείο ανακύκλωσης ή στους κατάλληλους κάδους ανακύκλωσης χαρτιού.

Τα φύλλα περιτυλίγματος, οι σακούλες πολυαιθυλενίου (PE), οι πλαστικές συσκευασίες ή τα τμήματα - στους κάδους ανακύκλωσης πλαστικών.

ΑΠΟΡΡΙΨΗ ΣΥΣΚΕΥΗΣ ΜΕΤΑ ΤΗΝ ΛΗΞΗ ΖΩΗΣ ΤΟΥΣ

Η απόρριψη του χρησιμοποιημένου ηλεκτρικού και ηλεκτρονικού εξοπλισμού (ισχύει σε κράτη μέλη ΕΕ και σε λοιπά ευρωπαϊκά κράτη με σύστημα διαχείρισης απορριμμάτων).

Η απεικονιζόμενη σήμανση στο προϊόν ή στην συσκευασία σημαίνει, ότι το προϊόν δεν πρέπει να αντιμετωπίζεται ως οικιακό απόβλητο.

Παραδώστε το προϊόν στο σημείο ανακύκλωσης ηλεκτρικού και ηλεκτρονικού εξοπλισμού. Φροντίζοντας για την σωστή απόρριψη του προϊόντος βοηθάτε στην πρόληψη αρνητικών συνεπειών για την υγεία και το περιβάλλον. Η ανακύκλωση υλικών βοηθάει στην προστασία του περιβάλλοντος. Περισσότερες πληροφορίες σχετικά με την ανακύκλωση αυτού του προϊόντος θα λάβετε από τον Δήμο ή από την υπηρεσία διαχείρισης οικιακών αποβλήτων ή από τον τόπο πώλησης που αγοράσατε το προϊόν. Η ακατάλληλη απόρριψη του προϊόντος μπορεί σύμφωνα με το νόμο να αποτελεί αντικείμενο καταλογισμού χρηματικής ποινής.



Η παρούσα συσκευή συμμορφώνεται με τους όρους οδηγιών της ΕΕ περί ηλεκτρομαγνητικής συμβατότητας και ηλεκτρικής ασφάλειας και προβληματισμού βαρέων μετάλλων στις ηλεκτρικές και ηλεκτρονικές συσκευές. Επίσης πληροί την σχετική ενεργειακή απαιτητικότητα και τις προϋποθέσεις για την άμεση επαφή με τρόφιμα.

Οι οδηγίες χρήσης είναι διαθέσιμες στις ιστοσελίδες www.ecg-electro.eu.
Επιφυλασσόμαστε την αλλαγή του κείμενου ή των τεχνικών στοιχείων

ІНСТРУКЦІЇ З БЕЗПЕКИ

Прочитайте уважно та збережіть для подальшого використання!

Попередження: Заходи безпеки та рекомендації, зазначені в цій інструкції, не охоплюють усі можливі обставини та ситуації, які можуть виникнути. Користувач повинен розуміти, що фактор, який не може бути включений в жодний із продуктів — це здоровий глузд, обережність і уважність. Таким чином, ці фактори повинні бути забезпечені користувачем/користувачами, що використовують та обслуговують цей прилад. Ми не несемо відповідальності за пошкодження, завдані під час транспортування, неправильного використання, коливань напруги в мережі або зміни чи модифікації будь-якої частини приладу.

Щоб зменшити ризик пожежі, ураження електричним струмом або травмування, під час використання електричного приладу завжди слід дотримуватися основних запобіжних заходів, зокрема таких:

1. Переконайтеся, що напруга у вашій розетці відповідає напрузі, зазначеній на заводській табличці приладу, і що розетка належним чином заземлена. Розетка повинна бути встановлена відповідно до чинного електротехнічного стандарту ČSN.
2. Не використовуйте чайник, якщо шнур живлення або вилка пошкоджені, якщо він не працює належним чином, впав на підлогу й отримав пошкодження або впав у воду. **Довірте всі ремонтні роботи, включаючи заміну блоку живлення професійному сервісному обслуговуванню! Не знімайте захисні покриття приладу, є ризик ураження електричним струмом!**
3. Захищайте прилад від прямого контакту з водою та іншими рідинами, щоб не трапилося можливе ураження

- електричним струмом. Ні чайник, ні його основу не занурюйте у воду чи іншу рідину!
4. Не використовуйте чайник на відкритому повітрі або у вологому середовищі. Не торкайтеся шнура живлення або чайника мокрими руками. Існує ризик ураження електричним струмом.
 5. Ми рекомендуємо вам не залишати чайник з підключеним шнуром живлення в розетці без нагляду. Перед обслуговуванням від'єднайте шнур живлення від розетки змінного струму. Не витягуйте вилку з розетки за кабель. Від'єднувати кабель від розетки тільки взявшись за вилку.
 6. Шнур живлення не повинен торкатися гарячих частин або проходити по гострих краях.
 7. Використовуйте тільки оригінальні приналежності.
 8. Під час роботи чайник не можна залишати без нагляду.
 9. Будьте особливо обережні, коли користуєтеся чайником поблизу дітей. Ніколи не дозволяйте дітям самотійно керувати приладом, щоб захистити їх від ризику ураження електричним струмом. Ставте чайник тільки на таке місце, щоб діти не мали доступу до приладу. Дбайте про те, щоб шнур живлення не звисав з поверхні.
 10. Не ставте чайник на гарячу поверхню або поблизу джерел тепла (наприклад, конфорок плити).
 11. Використовуйте прилад лише відповідно до вказівок у цій інструкції. Виробник не несе відповідальності за збитки, спричинені неналежним використанням цього приладу.
 12. Під час кипіння води або невдовзі після закипання води, не намагайтеся відкрити кришку, є ризик обшпарити руку паром.
 13. Уникайте розбризкування води на LCD-дисплей та місця, де використовуються операційні кнопки. Якщо вода потрапить на прилад, це може призвести до його нестандартного функціонування.

14. Цей прилад призначений для використання в домашньому господарстві та подібних місцях, як:
- прилади для кухонних кутків в магазинах, офісах та на інших робочих місцях
 - прилади, що використовуються в сільському господарстві
 - прилади, якими користуються гості в готелях, мотелях та інших житлових приміщеннях
 - прилади, що використовуються в закладах харчування
15. Цей прилад призначений для використання дітьми, які досягли віку 8 років та більше, і особами зі зниженими фізичними, сенсорними або розумовими здібностями, чи з браком досвіду та знань, за умови, що вони перебуватимуть під наглядом або були навчені щодо безпечного використання приладу та розуміють потенційну небезпеку. Діти не повинні гратися з приладом. Очищення й обслуговування, передбачене для користувача, не повинні виконуватися дітьми, якщо вони не досягли віку 8 років і не перебувають під наглядом. Діти віком до 8 років повинні триматися подалі від приладу та його шнура.

Переконайтеся, що чайник встановлено на рівній поверхні, щоб запобігти його перекиданню та травмуванню оточуючих. Не торкайтеся зовнішньої поверхні чайника або кришки під час його кипіння або після, оскільки його зовнішні поверхні гарячі. Не використовуйте прилад поблизу предметів, які можуть бути пошкоджені паром.

Do not immerse in water! — Не занурюйте у воду!

НЕБЕЗПЕКА для дітей: Дітям забороняється гратися з пакувальним матеріалом. Не дозволяйте дітям гратися з поліетиленовими пакетами. Небезпека задухи.

УВАГА!

1. Під час наповнення чайника використовуйте тільки холодну воду.
2. Рівень води має бути між мітками MAX. і MIN.!
Переповнення чайника може призвести до виплескування гарячої води.
3. Вимкніть чайник, перш ніж знімати його з основи.
4. Завжди стежте за тим, щоб кришка була закрита належним чином.
5. Дно та зовнішня частина чайника не повинні бути вологими.
6. Завжди використовуйте чайник лише з підставкою, що додається.
7. Не вмикайте чайник, коли він порожній.

Чайник не можна використовувати для нагрівання інших рідин, крім води! Ніколи не кладіть в чайник пакетики, розсипчастий чай або будь-які інші інгредієнти для приготування напоїв!

ІНСТРУКЦІЯ З ВИКОРИСТАННЯ

Перед першим використанням чайника вимийте внутрішню частину чайника звичайним засобом для миття посуду. Потім змийте його теплою водою. Перед першим використанням наповніть чайник чистою холодною питною водою до максимального рівня, увімкніть і доведіть воду до кипіння. Потім злийте воду і повторіть процедуру не менше п'яти разів. Ця процедура добре прокип'ятить чайник, і ви позбудетеся від будь-якого присмаку. Якщо у вас є почуття, що окріп має запах, рекомендуємо повторити процедуру. Інша рекомендація: залишити порожній чайник відкритим на 24 години. Матеріал чайника, який контактує з водою, має сертифікат безпеки для здоров'я. Будь-який легкий «запах» після розпакування чайника або «запах» під час першого використання є звичайним явищем і не повинний бути причиною скаржитися на прилад.

Основна експлуатація

1. Поставте основу на суху, рівну й горизонтальну поверхню й вставте вилку в розетку. Після поміщення чайника на основу автоматично вмикається живлення.
2. Наповніть чайник водою, мінімум до позначки «MIN» (0,5 л)
2. Коротко натисніть кнопку включення (7), пролунає звуковий сигнал, і світлодіод біля індикатора кипіння (4) засвітиться, це означає, що вода почала нагріватися.
3. На дисплеї (3) ви можете спостерігати поточну температуру води в чайнику

4. Коли вода закипить, світлодіод згасне й пролунає звуковий сигнал.

Примітка: якщо ви хочете завершити кип'ятіння, натисніть кнопку (7) ще раз. Пролунає подвійний звуковий сигнал, і світлодіод індикатора кипіння (4) згасне.

Встановлення та підтримка температури нагрівання води без створення окропу при 100 °С:

Якщо ви хочете, щоб кипіння води припинилося, коли буде досягнута бажана температура, поставте чайник на основу (8) і виберіть потрібну температуру (40 °С/55 °С/80 °С /90 °С), натискаючи кнопку регулятора температури (6) кілька разів, ця температура відобразиться на дисплеї (3). Як тільки пролунає звуковий сигнал, чайник почне кипіти. Після закінчення нагрівання до потрібної температури чайник 3 рази подає короткий звуковий сигнал, потім чайник запускає функцію підтримки температури протягом 24 годин. Функція підтримання температури активна, коли світить світлодіод біля індикатора підтримання температури (5). Чайник знову почне нагрівати воду, коли обрана температура знизиться на 10 °С.

Примітка: Ви можете скасувати підтримання температури, коротко натиснувши кнопку ввімкнення /вимкнення (7)

Встановлення та підтримка температури кип'ятіння зі створенням окропу при 100 °С:

Якщо ви хочете, щоб вода спочатку закипіла при 100 °С, а потім підтримувала бажану температуру, поставте чайник на основу (8) і виберіть потрібну температуру (40 °С/55 °С/80 °С /90 °С), натиснувши кнопку регулятора температури (6) кілька разів, ця температура відобразиться на дисплеї (3). Потім натисніть кнопку ввімкнення (7), пролунає звуковий сигнал, і чайник почне нагріватися. Засвітиться світлодіод поруч із індикатором кипіння (4) та індикатором підтримки температури (5). Після закипання води температура води в чайнику впаде до температури, яку ви вибрали, після чого чайник підтримуватиме цю температуру протягом 24 годин. Функція підтримання температури активна, коли світить світлодіод біля індикатора підтримання температури (5). Чайник знову почне нагрівати воду, коли обрана температура знизиться на 10 °С.

Примітка: Ви можете скасувати підтримання температури, коротко натиснувши кнопку ввімкнення /вимкнення (7)

ЯК ДОГЛЯДАТИ ЗА ЧАЙНИКОМ

Протирайте чайник зовні м'якою вологою тканиною або губкою. Стійкі плями видаліть тканиною, змоченою м'яким рідким миючим засобом. Не використовуйте абразивні мочалки або інші абразивні засоби. Ніколи не занурюйте прилад у воду чи інші рідини.

Час від часу залежно від складу й жорсткості вашої води природним чином утворюються вапняні відкладення, які зазвичай прилипають до нагрівального елемента, знижуючи ефективність нагрівання. Кількість відкладеного вапняного нальоту і, відповідно, потреба в очищенні або видаленні накипу значною мірою залежить від жорсткості води у вашому регіоні та частоти використання чайника. Утворений таким чином накип не шкодить здоров'ю. Але він може надати напою присмак порошку якщо потрапить у ваш напій. Тому чайник слід регулярно очищати від накипу, як описано нижче.

ВИДАЛЕННЯ НАКИПУ

Регулярно видаляйте накип. При нормальному використанні приладу не менше двох разів на рік.

1. Наповніть чайник до позначки «MAX» розчином з однієї частини звичайного оцту й двох частин води. Увімкніть і зачекайте, поки прилад автоматично вимкнеться.
2. Залиште розчин на ніч.
3. Вилейте розчин наступного ранку.
4. Наповніть чайник чистою водою до позначки MAX і дайте йому знову закипіти.
5. Вилейте цю кип'ячену воду, яка видалить попередні залишки оцту.
6. Промийте чайник всередині чистою водою.

ТЕХНІЧНІ ХАРАКТЕРИСТИКИ

Обсяг: 1,7 л

Номінальна напруга: 220–240 В~ 50-60 Гц

Номінальна споживана потужність: 1850–2200 Ватт

ВИКОРИСТАННЯ ТА УТИЛІЗАЦІЯ УПАКОВКИ

Обгортковий папір і гофрокартон — здати в приймальний пункт макулатури або покласти в контейнер для паперової тари. Пакувальну плівку, поліетиленові пакети, поліетиленову упаковку або деталі — в контейнер для пластмас.

УТИЛІЗАЦІЯ ПРОДУКТУ ПІСЛЯ ВИЧЕРПАННЯ ТЕРМІНУ ЙОГО КОРИСНОГО ВИКОРИСТАННЯ

Утилізація використаного електричного та електронного обладнання (застосовується в країнах-членах ЄС та інших європейських країнах із встановленою системою сортування відходів)

Символ, зображений на продукті або на упаковці, означає, що цей продукт не слід утилізувати як побутові відходи. Віднесіть продукт у місце, призначене для переробки електричного та електронного обладнання. Забезпечивши належну утилізацію цього продукту, ви допоможете запобігти негативним наслідкам для здоров'я людей та навколишнього середовища. Переробка матеріалів допоможе зберегти природні ресурси. Детальнішу інформацію щодо переробки цього продукту вам нададуть у місцевому органі управління, службі утилізації побутових відходів або в пункті продажу, де ви придбали продукт. За неналежну утилізацію цього виду відходу згідно із законодавством може бути накладено штраф.



08/05



Цей продукт відповідає вимогам директив ЄС щодо електромагнітної сумісності та електричної безпеки, а також проблем важких металів в електричному та електронному обладнанні. Крім того, він відповідає відповідним енергетичним вимогам і вимогам щодо прямого контакту з харчовими продуктами.

Інструкцію з експлуатації можна знайти на веб-сайті www.ecg-electro.eu.

Текст і технічні параметри можуть бути змінені.

www.ecg-electro.eu

Deutsch

K+B Progres, a.s./AG. Barbaraweg
2, DE-93413 Cham
Bei Beschwerden rufen Sie die Telefonnummer
09971/4000-6080 an. (Mo – Fr 9:00 – 16:00)

Čeština

K+B Progres, a. s.
U Expertu 91
250 69 Klíčany
tel.: +420 272 122 111
e-mail: ECG@kbexpert.cz

Eesti keel

K+B Progres, a. s.
U Expertu 91
69 Klíčany, Czech Rep.
tel.: +420 272 122 111 250
e-post: ECG@kbexpert.cz

Hrvatski

K+B Progres, a. s.
U Expertu 91
250 69 Klíčany, Czech Rep.
tel.: +420 272 122 111
e-mail: informacije@kbprogres.cz

Bosanski

K+B Progres, a. s.
U Expertu 91
250 69 Klíčany, Czech Rep.
tel.: +420 272 122 111
e-mail: informacije@kbprogres.cz

Latviešu valoda

K+B Progres, a. s.
U Expertu 91
250 69 Klíčany, Czech Rep.
tel.: +420 272 122 111
e-pasts: ECG@kbexpert.cz

Lietuvių kalba

K+B Progres, a. s.
U Expertu 91
250 69 Klíčany, Czech Rep.
tel.: +420 272 122 111
el. paštas: ECG@kbexpert.cz

Magyar

K+B Progres, a. s.
U Expertu 91
69 Klíčany, Czech Rep.
tel.: +420 272 122 111 250
e-mail: ECG@kbexpert.cz

Polski

K+B Progres, a. s.
U Expertu 91
69 Klíčany, Czech Rep.
tel.: +420 272 122 111 250
e-mail: ECG@kbexpert.cz

Română

K+B Progres, a. s.
U Expertu 91
69 Klíčany, Czech Rep.
tel.: +420 272 122 111 250
e-mail: ECG@kbexpert.cz

Slovenčina

Distribútor pre SR: K+B Progres, a. s., organizačná zložka
Mlynské Nivy 71
821 05 Bratislava
e-mail: ECG@kbexpert.cz

Slovenščina

K+B Progres, a. s.
U Expertu 91
250 69 Klíčany, Czech Rep.
tel.: +420 272 122 111
e-mail: informacije@kbprogres.cz

Srpski

K+B Progres, a. s.
U Expertu 91
250 69 Klíčany, Czech Rep.
tel.: +420 272 122 111
e-pošta: informacije@kbprogres.cz

Crnogorski

K+B Progres, a. s.
U Expertu 91
250 69 Klíčany, Czech Rep.
tel.: +420 272 122 111
e-pošta: informacije@kbprogres.cz

Ελληνικά

K+B Progres, a. s.
U Expertu 91
69 Klíčany, Δημοκρατία της Τσεχίας
τηλ.: +420 272 122 111 250
e-mail: ECG@kbexpert.cz

Українська мова

K+B Progres, a. s.
U Expertu 91
69 Klíčany, Czech Rep.
tel.: +420 272 122 111 250
e-mail: ECG@kbexpert.cz

The manufacturer takes no responsibility for printing errors contained in the product's user's manual. ■ Der Importeur haftet nicht für Druckfehler in der Bedienungsanleitung des Produkts. ■ Výrobce neručí za tiskové chyby obsažené v návodu k použití výrobku. ■ Tootja ei vastuta toote kasutusjuhendis leiduvate trükkivigade eest. ■ El fabricante no asume ninguna responsabilidad por errores de impresión en el manual del usuario del producto. ■ Le fabricant ne peut être tenu responsable des erreurs d'impression contenues dans le mode d'emploi du produit. ■ Proizvođač ne snosi odgovornost za tiskarske greške u uputama. ■ Il produttore non sarà ritenuto responsabile per eventuali errori di stampa contenuti nel manuale d'uso del prodotto. ■ Ražotājs neuzņemas atbildību par drukas kļūdām ierīces rokasgrāmātā. ■ Gamintojas neapsiima atsakomybės dėl spausdinimo klaidų, pastaikancių gaminio naudotojo vadove. ■ A gyártó nem felel a termék használati útmutatójában fellelhető nyomdahiibákért. ■ Producent nie ponosi odpowiedzialności za błędy drukarskie w instrukcji obsługi produktu. ■ Dovozca neručí za tlačové chyby obsiahnuté v návode na použitie výrobku. ■ Proizvajalec ne jamčija morebitne tiskovne napake v navodilih za uporabo izdelka. ■ Proizvođač ne preuzima nikakvu odgovornost za štamparske greške sadržane u uputstvu za upotrebu proizvoda. ■ Ο κατασκευαστής δεν φέρει καμία ευθύνη για τα τυπογραφικά σφάλματα που περιέχονται στο εγχειρίδιο χρήστη του προϊόντος.