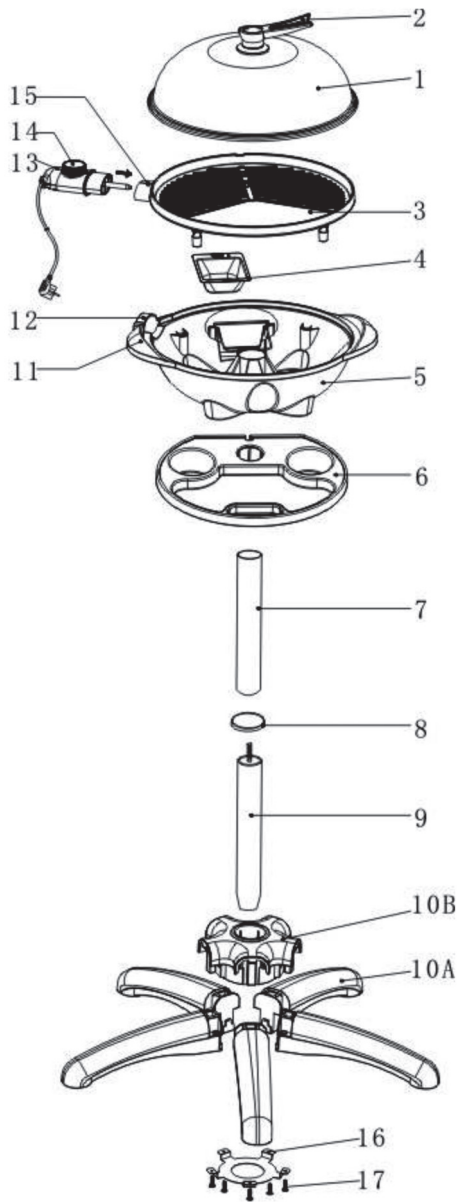
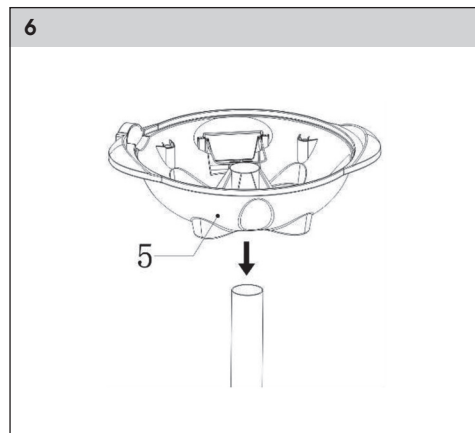
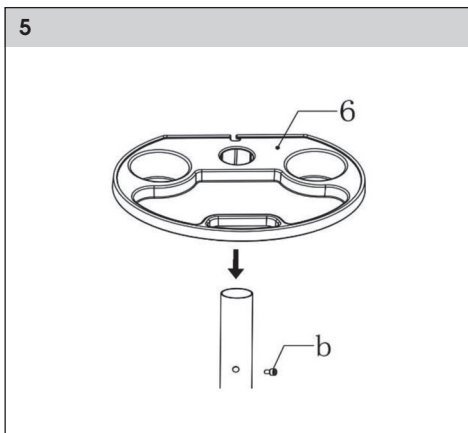
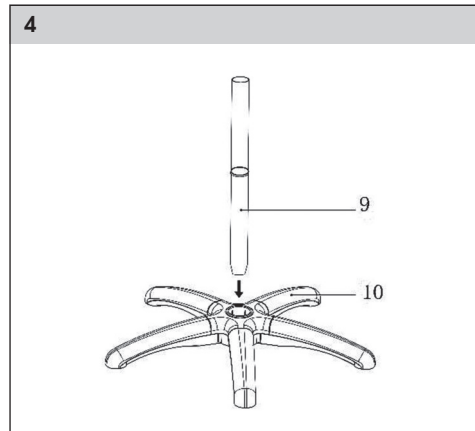
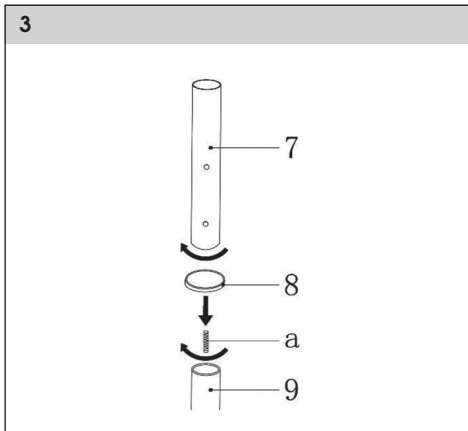
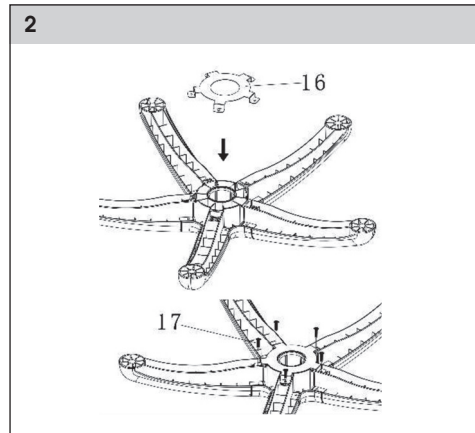
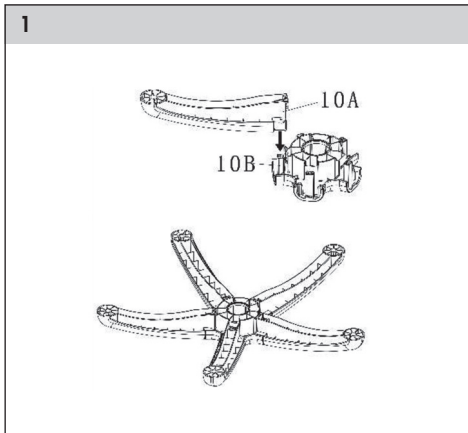
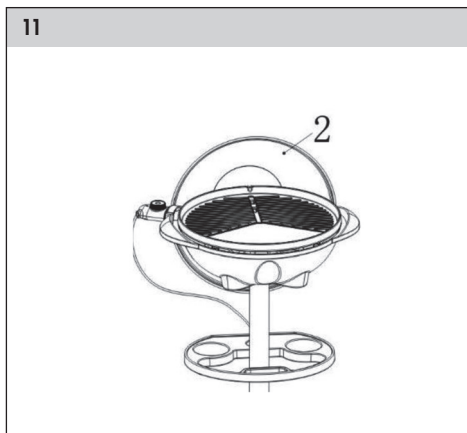
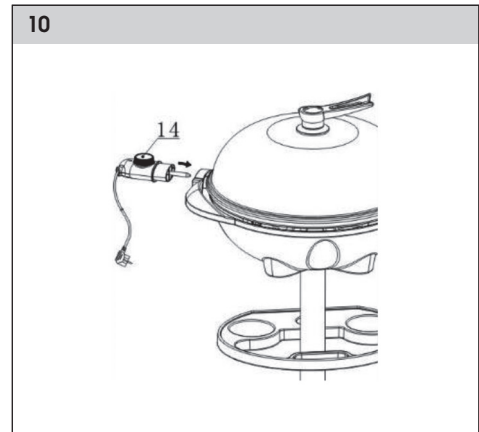
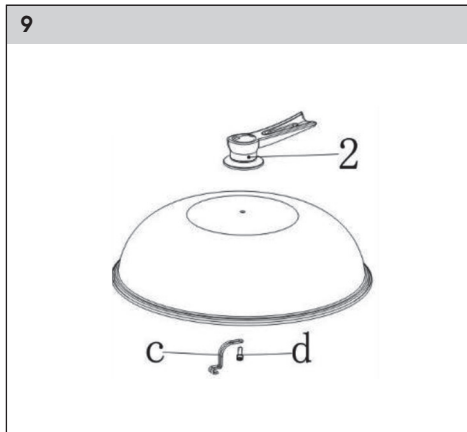
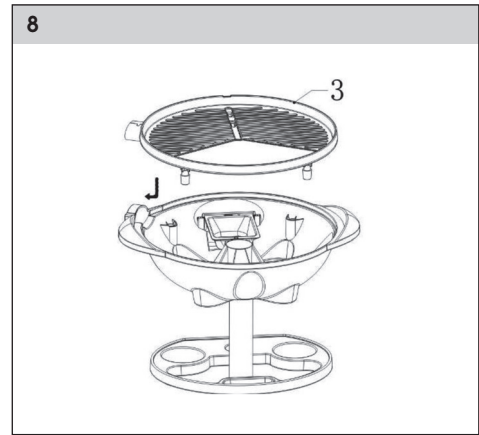
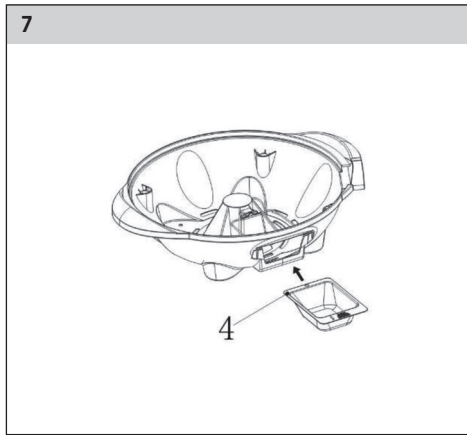


FZG 2005-E

English	7-18
Čeština.....	19-30
Slovenčina	31-42
Magyarul	43-54
Polski	55-66







Electric grill

USER'S MANUAL

Prior to using this appliance, please read the user's manual thoroughly, even in cases, when one has already familiarised themselves with previous use of similar types of products. Use the appliance only as described in this manual. Keep this manual for later use. We recommend saving the original shipping cardboard box, packaging material, receipt and warranty card for the duration of the warranty. During transportation, pack the appliance using the original packaging materials only.

TABLE OF CONTENTS

1. IMPORTANT SAFETY INSTRUCTIONS.....	8
2. DESCRIPTION OF THE ELECTRIC GRILL.....	10
3. ASSEMBLING THE ELECTRIC GRILL.....	11
4. BEFORE FIRST USE.....	12
5. USING THE ELECTRIC GRILL.....	12
6. RECOMMENDED MEAT COOKING TIMES.....	14
7. CLEANING AND MAINTENANCE.....	15
8. TECHNICAL SPECIFICATIONS.....	16
9. DISPOSAL.....	17

1. IMPORTANT SAFETY INSTRUCTIONS

This appliance may be used by children 8 years of age and older and by persons with physical or mental impairments or by inexperienced persons, if they are properly supervised or have been informed about how to use of the product in a safe manner and understand the potential dangers.

Children must not play with the appliance. Cleaning and maintenance performed by the user must not be performed by unsupervised children.

If the power cord is damaged, have it replaced in a professional service centre in order to prevent a dangerous situation. It is forbidden to use the appliance with the power cord damaged.



Caution:

The temperature of accessible surfaces may be higher if the appliance is in operation. Be careful not to touch the hot surface of the lid, grill base or the grill plate. This could cause skin burns.

IMPORTANT SAFETY INSTRUCTIONS

READ CAREFULLY AND STORE FOR FUTURE USE.

- ✿ This appliance is designed for outdoor use. Do not use this appliance for commercial purposes.
- ✿ Before connecting the appliance to a power socket, check that the technical details on the appliance's rating label match the electrical voltage in the socket to which you wish to connect the appliance.
- ✿ The appliance must be connected to a power outlet equipped with a grounding (protection) contact (for appliances with the protection class I).
- ✿ A residual current device (RSD) must be installed in the appliance power circuit with a maximum tripping current of 30mA.
- ✿ If necessary, an extension cord designed for electrical current loads of at least 10A may be used. A power cord with an insufficient capacity could overheat. Do not connect any other appliances to the extension cord. Position the extension cord so that it will not be stepped on or tripped over.

⚠ Caution:

This appliance is not designed to be controlled using a programmed device, external timer switch or remote control.

- ✿ Do not place the appliance on unstable surfaces, on an electric or gas stove or other sources of heat.
- ✿ Do not use the appliance in the direct vicinity of a bath, shower, pool and do not expose it to rain or high humidity.
- ✿ To prevent potential injury by electric shock, do not submerge this appliance or its power cord under water or any other liquid.
- ✿ Use the appliance with the supplied plug of the temperature control unit.
- ✿ Always first insert the plug of the temperature control unit into the appliance and only then connect the appliance to a power socket. Keep the plug of the temperature control unit dry.

- ✿ The appliance can be used with or without the stand. If you will be using the appliance without the stand, place a fire-proof mat underneath it. Before turning the appliance on, make sure that it is properly assembled and installed on a stable, even and dry surface.
- ✿ **WARNING:** No charcoal or similar fuel must be used in this appliance.
- ✿ During operation, sufficient space for air circulation above and on all sides of the appliance should be provided. Do not use the appliance in the vicinity of flammable materials, such as curtains, dish wipes, etc. The recommended distance of the appliance from flammable materials is 100 cm.
- ✿ Be especially careful when grilling fatty food to avoid being burnt by spluttering fat.
- ✿ Do not touch the grill plate with sharp or metal objects or cover it with aluminium foil. Otherwise, this could damage its surface coat.
- ✿ Before disconnecting the temperature control unit from the appliance, first turn off the appliance by turning the temperature control dial to the OFF (off) position and disconnect the power cord from the power socket.
- ✿ Always turn off the appliance and disconnect it from the power socket if you leave it without supervision or if you will not be using it and before moving or cleaning it.
- ✿ The grill plate remains hot even after the appliance is turned off. Before moving, cleaning or storing the appliance, wait until the grill plate cools down. Use the thermally insulated handle for carrying the appliance.
- ✿ Clean the grill plate after each use, see chapter Cleaning and maintenance.
- ✿ Do not place other items on the grill plate.
- ✿ Do not disconnect the appliance from the power socket by pulling on the power cord. This could damage the power cord or the power socket. Disconnect the cord from the power socket by gently pulling the plug of the power cord.
- ✿ Make sure the power cord is not touching a hot surface.
- ✿ Regularly inspect the power cord for signs of damage. If the power cord is damaged, do not use the appliance. Have the damaged power cord replaced at a professional service centre.
- ✿ Do not use the appliance if it is not working correctly, if it was dropped on the floor, if it is damaged or has been submerged in water.
- ✿ To avoid the danger of injury by electrical shock, do not repair the appliance yourself or make any adjustments to it. Have all repairs or adjustments of the appliance performed at an authorised service centre. Tampering with the appliance during the warranty period may void the warranty.

2. DESCRIPTION OF THE ELECTRIC GRILL

- 1 Lid
- 2 Lid handle
- 3 Grill plate
- 4 Removable drip tray for collecting juices and fat
- 5 Grill base
- 6 Tray for spices, sauces, oil, etc.
- 7 Upper stand tube
- 8 Ring
- 9 Lower stand tube
- 10A Stand feet (total 5 pcs)
- 10B Stand base
- 11 Grill carrying handles
- 12 Hole for socket
- 13 Indicator light
- 14 Temperature control unit with a plug for connecting to the appliance
- 15 Socket for inserting the temperature control unit plug
- 16 Metal underlay
- 17 Screws (5 pcs)

3. ASSEMBLING THE ELECTRIC GRILL

Take the appliance out of the packaging material and check that you have all the parts illustrated in the chapter Description of the electric grill. In addition to the above, the appliance comes with a screw which serves as a stop for the tray 6, see point 5 below.

1. Attach 10A feet to the 10B stand base. Proper connection of foot 10A to the 10B base is indicated by an audible click.
2. Place the 16 metal underlay on the underside of the 10B stand base. Join the 10B base and the 10A stand foot using the supplied screws 17 (5 pcs in total). Turn the 10B base so that the metal plate 16 is located on the underside, and place it on an even and stable surface.
3. Screw half of the connecting rod (letter a on the figure) into the lower tube 9. Place the ring 8 onto the bottom tube 9 and attach the top tube 7 onto the bottom tube 8 by screwing. Make sure that the tubes are firmly joined.
4. Slide the free end of the bottom tube 9 into the centre opening on the 10B stand base.
5. Insert screw (letter b on the figure) in the opening of the upper tube 7. Place the tray 6 a onto the tube 7 and slide it downwards. The screw serves to anchor the tray 6 in position.
6. Place the grill base 5 on to the top tube 7.
7. Slide the drip tray 4 into the opening on the grill base 5. Make sure that the notch in the centre part of the base 5 fits into the opening in the drip tray 4.
8. Insert the grill plate 3 into the grill base 5 so that the slot 15 is located in the opening 12 a and the grill plate 3 is in a horizontal position.
9. Mount the handle 2 in the metal lid 1 using screw d and hook c. Then place the lid on the grill plate.
10. Insert the plug of the temperature control unit 14 into the socket 15. To avoid the appliance from falling over or to prevent an injury from occurring, make sure that the power cord is not tripped over.
11. The metal lid (2) can be open and hung on the grill plate 3 edge with a hook.

4. BEFORE FIRST USE

1. Before first use, wipe the inside of the lid 1 a and the grill plate 3 using a cloth dampened in a solution of warm water and neutral kitchen detergent. Use a cloth dampened in warm water to wipe the surface on to which you applied the detergent and then wipe dry.

Caution:

While cleaning, make sure that no water leaks into the temperature control unit 14.


2. Wash the drip 4 in warm water with neutral kitchen detergent. Then rinse it under clean running water, dry it and put it back in its place in the grill base 5.

5. USING THE ELECTRIC GRILL


1. You can use the grill with or without the stand. If you will not be using the stand, place the grill on a fire-proof mat.
2. Remove the drip tray 4. Only pour enough water to cover the bottom of the drip tray and put it back in its place.

 **Note:** Pouring water into the drip tray A6 will facilitate its cleaning after use.

3. Insert the power plug into an electrical power socket.
4. Set the temperature control dial based on the type of food that you will be cooking. The lit indicator light indicates that the grill plate 3 is heating up.

 **Note:** During first use, tilt down the lid 1 a and set the temperature control dial 14 to the MAX position and wait until the grill plate heats up. Heating up the grill plate 3 to the set temperature is indicated by the light going out. To remove any odours from manufacturing, leave the grill to run empty for 3-5 minutes. When first turned on there may be light smoke emitted; it will disappear in a short while.

5. Allow the grill plate 3 to preheat. It will heat up faster with the lid 1 closed. Upon reaching the set temperature, the indicator light will turn off. The grill is now ready for use.
6. Tilt open the lid 1 and place meat, vegetables or other food that is suitable for grilling onto the grill plate 3. You can grill with the lid 1 opened or closed. Check the food regularly and turn it over as necessary.

 **Note:** The grill plate heating indicator light turns intermittently on and off. This signalises that the set temperature is being maintained.

7. While grilling, you must supervise that the drip tray 4 does not fill up. If it fills up, empty it and put it back in its place. The capacity of the drip tray 4 is 300ml.

Caution:

When handling the drip tray 4, use a kitchen glove to prevent skin burns.

- When the food is cooked, use a spatula or tongs from a heat-resistant material to remove it from the grill plate 3.

⚠ Caution:

Do not use metal tongs or metal spatulas, knives or other sharp metal kitchen utensils. This could cause damage to the anti-adherent coating of the grill plate A5.

- Before you start grilling other food, first clean food leftovers from the surface of the A5 grill plate using a wooden or heat-resistant plastic spatula and empty the A6 drip tray.

⚠ Caution:

When cleaning the A5 grill plate, be very careful to avoid burning on the hot surface.

- After you have finished using the grill, turn it off by setting the temperature control dial A4 to the OFF position. Pull the power cord plug out of the electrical power socket. Disconnect the temperature control unit plug A4 from the grill.
- Prior to any further handling, let the grill cool down.

NON-STICK COATING ON THE GRILL PLATE


- ☼ The grill plate 3 of your grill has a special anti-adherent surface coating. This coating enables you to prepare healthy meals while using a minimum amount of shortening or oil.
- ☼ Do not use sharp, metal kitchen utensils and do not cut meat directly on the grill plate 3. The manufacturer takes no responsibility for damage to the coating caused by the use of sharp objects or metal utensils.
- ☼ A change in the colour of the surface of the grill plate 3 has no effect on its functionality.

TIPS FOR GRILLING MEAT

- ☼ For grilling, use fresh meat. Defrosted meat will release its juices and will be dry when grilled.
- ☼ Do not grill excessively large pieces of meat. Cut the meat into 1 to 2 cm thick slices before grilling.
- ☼ We do not recommend using the grill to grill meat with thick bones, such as bone-in pork chops.
- ☼ Do not salt the meat before grilling. This would result in the meat being tough and dry.
- ☼ Before grilling marinated meat, pat it with paper towels to remove excess marinade. Some marinades have a high sugar content, which may burn on to the grill plate.
- ☼ Do not prick your meat while grilling it. Otherwise, juices will escape and the meat will be tough and dry.
- ☼ Do not dry out the meat by grilling it for too long.
- ☼ Always make sure that chicken meat is thoroughly cooked.
- ☼ When the meat has finished grilling, season it to taste with salt or seasoning.

6. RECOMMENDED MEAT COOKING TIMES

Type of meat	Recommended temperature setting	Recommended grilling time
Steak / beef	MAX	10–15min
Tenderloin	4–MAX	9–10min
Lamb	MAX	12–18min
Chicken strips	MAX	25–30min
Chicken wings	MAX	15–20min
Fish (whole)	MAX	12–15min
Kebab	3–4	10–12min
Various sausages	3–4	8–12 min

 **Note:** The above times are only a reference. The actual grilling time depends on the size and weight of the food and also on whether you grill with the lid 1 opened or closed.

7. CLEANING AND MAINTENANCE

- ✿ Before cleaning the grill, always turn it off by setting the temperature control dial 14 to the OFF position. Unplug the power cord from the power socket and disconnect the plug of the temperature control unit 14 from the grill. Allow the grill to cool down.
- ✿ Clean the surface of the grill plate 3 after every use to prevent the formation of layers of charred food remains. For cleaning, use a dampened, soft cloth. If charred food remains, e.g. from marinated meat, stick to the surface of the grill plate 3, apply a solution of water and neutral kitchen detergent to these areas. After applying a detergent, wipe the grill plate 3 with a clean dampened cloth and they wipe it dry.

 **Tip:** It will be easier to clean the grill plate 3 while it is still slightly warm.

- ✿ Remove juices and fat from the drip tray 4. Then wash it in warm water with neutral washing-up liquid and then rinse with clean water, dry and reinsert it into the grill base.
- ✿ Clean the lid 1 using a cloth dampened in a solution of warm water and neutral kitchen detergent. Then clean with a clean dampened cloth and wipe dry.
- ✿ To clean the handle 2 a dampened cloth. Dry all these parts.
- ✿ Wipe the temperature control unit 14 with a dry wiping cloth.
- ✿ Do not use steel wool, abrasive cleaning agents, caustic chemicals, petrol, solvents, etc. Do not wash any part of the grill in a dishwasher. Do not submerge the grill or its power cord in water or any other liquids.

STORAGE

- ✿ Once the grill plate 3 has cooled down, store the grill and its power cord in a dry, clean place out of the reach of children.

8. TECHNICAL SPECIFICATIONS

Nominal voltage range	220–240V
Rated frequency	50/60Hz
Rated power input	1400–1600W

We reserve the right to change the text and technical specifications.

EXPLANATION OF THE MACHINE INSTRUCTION LABELS



This product has been designed in compliance with approved standards.



This equipment is protected by a double insulation.

Always check that the voltage in the grid corresponds to the voltage on the rating label.

IPX4

Protection class

9. DISPOSAL



These tools, rechargeable battery, accessories and packaging must be sorted to ensure that they are recycled in an environmentally-friendly manner.

Do not dispose of electric tools and rechargeable batteries in common household waste!

For EU countries only:



Pursuant to the European Directive 2012/19/EU, electric tools that are no longer used, and in compliance with the European Directive 2006/66/EC, faulty or used battery packs/batteries must be collected separately and disposed of in a manner considerate to the environment.

INSTRUCTIONS AND INFORMATION ABOUT THE DISPOSAL OF DISCARDED PACKAGE

Please return all used packaging at the waste disposal site established by the authorities.

DISPOSAL OF DISCARDED ELECTRICAL AND ELECTRONIC EQUIPMENT



This symbol on products or accompanying documents means that used electric or electronic products must not be added to standard municipal waste. Please return these products at the designated collection points where they will be subject to correct disposal, renewal and recycling. In some EU or European countries, you can return your products to your local dealer when buying a new corresponding product. Correct disposal of this product helps save valuable natural resources and prevents possible adverse impacts on the environment and human health that might be caused by improper waste disposal. For further information, please contact your local authorities or the nearest waste collection site. Improper disposal of this type of waste may lead to penalties in accordance with the national regulations in force.

For companies functioning in the EU countries

To dispose of electric or electronic devices, ask your retailer or supplier for the necessary information. Disposal outside the EU To dispose of the product, ask your local authorities or dealer for necessary information on how to dispose of the product.



This product meets all the basic requirements of all applicable EU directives.

Text, design and technical specifications may change without prior notice and we reserve the right to make such changes.

User's manual in original language.

Elektrický gril

UŽIVATELSKÁ PŘÍRUČKA

Před použitím spotřebiče se, prosím, seznamte s návodem k jeho obsluze, a to i v případě, že jste již obeznámeni s používáním výrobků podobného typu. Spotřebič používejte pouze tak, jak je popsáno v tomto návodu. Návod uschovejte pro budoucí použití. Minimálně po dobu záruky doporučujeme uschovat originální přepravní karton, balicí materiál, pokladní doklad a záruční list. V případě přepravy zabalte spotřebič opět do originální krabice od výrobce.

OBSAH

1. DŮLEŽITÉ BEZPEČNOSTNÍ POKYNY.....	20
2. POPIS ELEKTRICKÉHO GRILU.....	22
3. SESTAVENÍ ELEKTRICKÉHO GRILU.....	23
4. PŘED PRVNÍM POUŽITÍM.....	24
5. POUŽITÍ ELEKTRICKÉHO GRILU.....	24
6. DOPORUČENÉ DOBY PŘÍPRAVY MASA.....	26
7. ČIŠTĚNÍ A ÚDRŽBA.....	27
8. TECHNICKÉ ÚDAJE.....	28
9. LIKVIDACE.....	29

1. DŮLEŽITÉ BEZPEČNOSTNÍ POKYNY

Tento spotřebič mohou používat děti ve věku 8 let a starší a osoby se sníženými fyzickými, smyslovými nebo mentálními schopnostmi nebo s nedostatkem zkušeností a znalostí, pokud jsou pod dozorem nebo byly poučeny o používání spotřebiče bezpečným způsobem a rozumí případným nebezpečím.

Děti si se spotřebičem nesmějí hrát. Čištění a údržbu nesmějí provádět děti bez dozoru.

Pokud je přívodní kabel poškozen, jeho výměnu svěřte odbornému servisnímu středisku, aby se zabránilo vzniku nebezpečné situace. Spotřebič s poškozeným přívodním kabelem je zakázáno používat.



Upozornění:

Teplota přístupných povrchů může být vyšší, je-li spotřebič v činnosti. Dbejte na to, abyste se nedotkli zahřátého povrchu víka, základny grilu nebo grilovací desky. Mohlo by dojít k popálení pokožky.

DŮLEŽITÉ BEZPEČNOSTNÍ POKYNY

ČTĚTE POZORNĚ A USCHOVEJTE JE PRO BUDOUCÍ POUŽITÍ.

- ✿ Tento spotřebič je určen pro použití venku. Nepoužívejte jej pro komerční účely.
- ✿ Před připojením spotřebiče k sířové zásuvce se ujistěte, že technické údaje uvedené na štítku spotřebiče se shodují s elektrickým napětím zásuvky, ke které chcete spotřebič připojit.
- ✿ Spotřebič musí být zapojen do zásuvky, která má uzemňovací (ochranný) kontakt (u spotřebičů třídy ochrany I).
- ✿ Do napájení spotřebiče má být vřazen proudový chránič (RSD) s vybavovacím proudem nepřekračujícím 30 mA.
- ✿ V případě potřeby lze použít prodlužovací kabel, který je určen pro proudové zatížení minimálně 10 A. Poddimenzovaný kabel by se mohl přehřát. K prodlužovacímu kabelu nepřipojujte žádné další spotřebiče. Prodlužovací kabel umístěte tak, aby se po něm nešlapalo nebo aby se o něj nezakopávalo.

⚠ Upozornění:

Tento spotřebič není určen k ovládání prostřednictvím programátoru, vnějšího časového spínače nebo dálkového ovládání.

- ✿ Spotřebič neumísťujte na nestabilní povrchy, elektrický nebo plynový vaříč a jiné zdroje tepla nebo do jejich blízkosti.
- ✿ Spotřebič nepoužívejte v bezprostředním okolí vany, sprchy, bazénu a nevystavujte jej dešti nebo vysoké vlhkosti.
- ✿ Abyste zabránili případnému úrazu elektrickým proudem, neponořujte spotřebič ani jeho napájecí přívod do vody nebo jiné tekutiny.
- ✿ Spotřebič používejte pouze se zástrčkou jednotky termostatu, která je s ním dodávána.
- ✿ Vždy nejprve připojte zástrčku jednotky termostatu ke spotřebiči a teprve poté zapojte spotřebič do sířové zásuvky. Zástrčku jednotky termostatu udržujte v suchu.

- ☼ Spotřebič může být používán se stojanem nebo bez něj. Pokud budete používat spotřebič bez stojanu, umístěte pod něj žáruvzdornou podložku. Před zapnutím se ujistěte, že spotřebič je řádně sestaven a instalován na stabilním, rovném a suchém povrchu.
- ☼ **VÝSTRAHA:** V tomto spotřebiči se nesmí používat dřevěné uhlí nebo podobné palivo.
- ☼ Při provozu musí být zajištěn dostatečný prostor pro cirkulaci vzduchu nad spotřebičem a po všech jeho stranách. Spotřebič nepoužívejte v blízkosti hořlavého materiálu, jako jsou záclony, utěrky na nádobí apod. Doporučená vzdálenost spotřebiče od hořlavých materiálů je 100 cm.
- ☼ Při grilování tučných potravin dbejte zvýšené opatrnosti, abyste se nepopálili prskajícím tukem.
- ☼ Grilovací desky se nedotýkejte ostrými nebo kovovými předměty ani ji nezakrývejte hliníkovou fólií. Jinak by mohlo dojít k poškození její povrchové úpravy.
- ☼ Než odpojíte jednotku termostatu od spotřebiče, spotřebič nejdříve vypněte otočením termostatu do polohy OFF (vypnuto) a napájecí přívod vypojte ze zásuvky.
- ☼ Spotřebič vždy vypněte a odpojte od síťové zásuvky, pokud ho necháváte bez dozoru nebo pokud ho nebudete používat, před přemístěním a čištěním.
- ☼ Grilovací deska zůstává horká i po vypnutí spotřebiče. Před přemístěním, čištěním nebo uskladněním spotřebiče vyčkejte, až grilovací deska vychladne. K přenášení spotřebiče používejte tepelně izolované rukojeti.
- ☼ Grilovací desku vyčistěte po každém použití, viz kapitola Čištění a údržba.
- ☼ Grilovací desku nepoužívejte k odkládání předmětů.
- ☼ Neodpojujte spotřebič od síťové zásuvky tahem za napájecí přívod. Mohlo by dojít k poškození napájecího přívodu nebo síťové zásuvky. Přívod odpojujte od zásuvky tahem za zástrčku přívodu.
- ☼ Dbejte na to, aby se napájecí přívod nedotýkal horkého povrchu.
- ☼ Pravidelně kontrolujte napájecí přívod, zda nevykazuje známky poškození. Je-li napájecí přívod poškozen, spotřebič nepoužívejte. Výměnu poškozeného napájecího přívodu svěťte odbornému servisnímu středisku.
- ☼ Nepoužívejte spotřebič, nefunguje-li správně, jestliže byl upuštěn na zem, poškozen nebo ponořen do vody.
- ☼ Abyste se vyvarovali nebezpečí úrazu elektrickým proudem, neopravujte spotřebič sami ani ho nijak neupravujte. Veškeré opravy tohoto spotřebiče svěťte autorizovanému servisnímu středisku. Zásahem do spotřebiče během platnosti záruky se vystavujete riziku ztráty záručních plnění.

2. POPIS ELEKTRICKÉHO GRILU

- 1 Víko
- 2 Držadlo víka
- 3 Grilovací deska
- 4 Vydíratelný odkapávací tácek na šťávu a tuk
- 5 Základna grilu
- 6 Táč na koření, omáčky, olej apod.
- 7 Horní trubka stojanu
- 8 Kroužek
- 9 Spodní trubka stojanu
- 10A Nohy stojanu (celkem 5 ks)
- 10B Základna stojanu
- 11 Rukojeti pro přenášení grilu
- 12 Otvor pro zdířku
- 13 Světelná kontrolka
- 14 Jednotka termostatu se zástrčkou pro připojení ke spotřebiči
- 15 Zdířka pro připojení zástrčky jednotky termostatu
- 16 Kovová podložka
- 17 Šrouby (5 ks)

3. SESTAVENÍ ELEKTRICKÉHO GRILU

Spotřebič vyjměte z obalového materiálu a ověřte, že máte k dispozici všechny součásti vyobrazené v kapitole Popis elektrického grilu. Kromě výše uvedeného je součástí dodávky šroubek, který slouží jako zarážka pro tác 6; viz bod 5 níže.

1. K základně stojanu 10B připevněte nohy 10A. Správné připevnění nohy 10A k základně 10B je signalizováno slyšitelnými cvaknutími.
2. Na spodní stranu základny stojanu 10B umístěte kovovou podložku 16. Spojení základny 10B a nohou stojanu 10A zajistěte dodanými šroubky 17 (celkem 5 ks). Základnu 10B otočte tak, aby podložka 16 byla umístěna na spodní straně, a umístěte ji na rovný a stabilní povrch.
3. Polovinu spojovací tyčky (na obr. písmeno a) zašroubujte do spodní trubky 9. Na spodní trubku 9 nasadte kroužek 8 a horní trubku 7 připevněte ke spodní trubce 8 zašroubováním. Ujistěte se, že spojení trubek je pevné.
4. Volný konec spodní trubky 9 zasuňte do středového otvoru v základně stojanu 10B.
5. Do otvoru v horní trubce 7 vložte šroubek (na obr. písmeno b). Na trubku 7 nasadte tác 6 a posuňte jej směrem dolů. Šroubek slouží k ukořtení tácu 6 ve správné poloze.
6. Na horní trubku 7 nasadte základnu grilu 5.
7. Do otvoru v základně grilu 5 zasuňte odkapávací tácek 4. Dbejte na to, aby výstupek ve středové části základny 5 zapadl do otvoru v odkapávacím táčku 4.
8. Do základny grilu 5 vložte grilovací desku 3 tak, aby zdířka 15 byla umístěna v otvoru 12 a grilovací deska 3 spočívala v horizontální poloze.
9. Namontujte rukojeť 2 do kovového víka 1 pomocí šroubu d a háčku c
Poté umístěte víko na grilovací desku.
10. Zástrčku jednotky termostatu 14 zapojte do zdířky 15. Dbejte na to, aby se o napájecí přívod nezakopávalo, aby nedošlo k pádu spotřebiče nebo ke zranění.
11. Kovové víko (2) lze otevřít a umístit a zavěsit pomocí háčku na okraj grilovací desky 3.

4. PŘED PRVNÍM POUŽITÍM

1. Před prvním použitím otřete vnitřní stranu víka 1 a grilovací desku 3 hadříkem navlhčeným v roztoku teplé vody a neutrálního kuchyňského saponátu. Povrch, na který jste aplikovali saponát, otřete hadříkem navlhčeným v čisté vodě a poté vytřete dosucha.

Upozornění:

Dbejte na to, aby při čištění nevnikla voda do jednotky termostatu 14.


2. Odkapávací tácek 4 omyjte v teplé vodě s přídavkem neutrálního kuchyňského saponátu. Poté jej opláchněte pod čistou tekoucí vodou, osušte a vraťte zpět na své místo do základny grilu 5.

5. POUŽITÍ ELEKTRICKÉHO GRILU


1. Gril můžete používat se stojanem nebo bez něj. V případě, že nebudete používat stojan, gril umístěte na žáruvzdornou podložku.
2. Vyjměte odkapávací tácek 4. Nalijte do něj tolik vody, aby se zakrylo dno, a instalujte jej zpět na své místo.

 **Poznámka:** Pokud nalijete do odkapávacího tácku A6 vodu, bude se vám po použití snadněji čistit.

3. Zástrčku napájecího přívodu připojte k zásuvce el. napětí.
4. Termostat nastavte podle druhu potraviny, který budete tepelně upravovat. Rozsvícená kontrolka signalizuje zahřívání grilovací desky 3.

 **Poznámka:** Při prvním použití přiklopte víko 1 a termostat 14 nastavte na maximum do polohy MAX a vyčkejte, až dojde k zahřátí grilovací desky. Zahřátí grilovací desky 3 na nastavenou teplotu je signalizováno zhasnutím světelné kontrolky. Gril nechte spuštěný 3–5 minut naprázdno, aby se odstranily případné pachy z výroby. Při prvním spuštění se může objevit slabý kouř, který zakrátko zmizí.

5. Grilovací desku 3 nechte předeheat. Předeheat se zavřeným víkem 1 bude rychlejší. Jakmile je dosažena nastavená teplota, světelná kontrolka zhasne. Gril je připraven k použití.
6. Odklopte víko 1 a na grilovací desku 3 položte maso, zeleninu nebo jiné potraviny vhodné ke grilování. Grilovat můžete se zavřeným nebo otevřeným víkem 1. Stav potravin pravidelně kontrolujte a obraťte je dle potřeby.

 **Poznámka:** Kontrolka zahřívání grilovací desky se střídavě rozsvěcí a zhasíná. Tím je signalizováno udržování nastavené teploty.

7. Během grilování je třeba dohlížet na naplnění odkapávacího tácku 4. Pokud dojde k jeho naplnění, vyprázdněte jej a instalujte zpět na své místo. Kapacita odkapávacího tácku 4 je 300 ml.

Upozornění:

Při manipulaci s odkapávacím táckem 4 používejte chňapku, aby nedošlo k popálení pokožky.

8. Když je pokrm hotový, obraběčkou nebo kleštěmi ze žáruvzdorného materiálu jej odeberte z grilovací desky 3.

⚠ Upozornění:

Nepoužívejte kovové kleště nebo obraběčky, nůž nebo jiné ostré kovové kuchyňské náčiní. Mohlo by dojít k poškození nepřilnavé povrchové úpravy grilovacích desky A5.

9. Než začnete grilovat další potraviny, nejprve očistěte povrch grilovací desky A5 dřevěnou nebo žáruvzdornou plastovou stěrkou od zbytků potravin a vyprázdněte odkapávací táceček A6.

⚠ Upozornění:

Při čištění grilovací desky A5 dbejte zvýšené opatrnosti, abyste se nepopálili o zahřátý povrch.

10. Po ukončení používání vypněte gril nastavením termostatu A4 do polohy OFF (vypnuto). Zástrčku síťového kabelu vytáhněte ze zásuvky el. napětí. Zástrčku jednotky termostatu A4 odpojte od grilu.
11. Před jakoukoli další manipulací nechte gril vychladnout.

NEPŘILNAVÁ POVRCHOVÁ ÚPRAVA GRILOVACÍ DESKY


- ☼ Grilovací deska 3 vašeho grilu je opatřena speciální nepřilnavou povrchovou úpravou. Tato povrchová úprava umožňuje připravovat pokrmy zdravě za použití minimálního množství tuku nebo oleje.
- ☼ Nepoužívejte ostré, kovové kuchyňské náčiní ani nekrájejte pokrmy přímo na grilovací desce 3. Výrobce neodpovídá za poškození povrchové úpravy způsobené používáním ostrého nebo kovového kuchyňského náčiní.
- ☼ Změna barevnosti povrchu grilovací desky 3 nemá vliv na její funkčnost.

TIPY PRO GRILOVÁNÍ MASA

- ☼ Ke grilování používejte čerstvé maso. Rozmrazené maso pustí šťávu a po ugrilování bude vysušené.
- ☼ Negrilujte příliš velké kusy masa. Před grilováním nakrájejte maso na 1 až 2 cm silné plátky.
- ☼ Nedoporučujeme grilovat maso se silnými kostmi, jako jsou např. kotlety s kostí.
- ☼ Před grilováním maso nesolte. Jinak bude tuhé a vysušené.
- ☼ Než začnete grilovat marinované maso, kuchyňským papírem nejdříve vysušte přebytečnou marinádu. Některé marinády obsahují velké množství cukru, který by se při grilování připaloval na grilovací desku.
- ☼ Během grilování maso nepropichujte. Jinak z něj vyteče šťáva a maso bude tuhé a vysušené.
- ☼ Nevysušujte maso příliš dlouhou dobou grilování.
- ☼ Kuřecí maso vždy dobře propečte.
- ☼ Když je maso ugrilované, dochufte jej solí a kořením dle chuti.

6. DOPORUČENÉ DOBY PŘÍPRAVY MASA

Druh masa	Doporučené nastavení termostatu	Doporučená doba grilování
Steak / hovězí maso	MAX	10–15 min
Vepřová panenka	4–MAX	9–10 min
jehněčí	MAX	12–18 min
Kuřecí paličky	MAX	25–30 min
Kuřecí křídla	MAX	15–20 min
Ryby (celé)	MAX	12–15 min
Kebab	3–4	10–12 min
Různé klobásy	3–4	8–12 min

 **Poznámka:** Výše uvedené doby jsou pouze orientační. Skutečná doba grilování závisí na velikosti a hmotnosti potravin a také na tom, zda grilujete se zavřeným nebo otevřeným víkem 1.

7. ČIŠTĚNÍ A ÚDRŽBA

- ☼ Před čištěním gril vždy vypněte nastavením termostatu 14 do polohy OFF (vypnuto). Zástrčku síťového kabelu vytáhněte ze zásuvky el. napětí a zástrčku jednotky termostatu 14 odpojte od grilu. Gril nechte vychladnout.
- ☼ Povrch grilovací desky 3 vyčistěte po každém použití, abyste zabránili vrstvení připečených zbytků potravin. K čištění použijte navlhčenou, měkkou textilii. Pokud na povrchu desky 3 zůstaly připečené zbytky potravin, např. z marinovaného masa, pokapejte tato místa roztokem vody a neutrálního kuchyňského saponátu. Po aplikaci saponátu otřete desku 3 čistou, navlhčenou textilií a po té ji vytřete dosucha.

 **Tip:** Grilovací deska 3 se vám bude lépe čistit, když bude ještě mírně vlažná.

- ☼ Z odkapávacího táčku 4 odstraňte škvávu a tuk. Pak jej umyjte v teplé vodě s přídatkem neutrálního kuchyňského saponátu a poté opláchněte čistou vodou, osušte a vložte zpět do základny grilu.
- ☼ Víko 1 očistěte hadříkem navlhčeným v roztoku teplé vody a neutrálního kuchyňského saponátu. Pak jej otřete čistým navlhčeným hadříkem a osušte.
- ☼ K čištění rukojetí 2 a stojanu použijte navlhčenou textilii. Všechny tyto části pak osušte.
- ☼ Jednotku termostatu 14 otřete suchým hadříkem.
- ☼ K čištění nepoužívejte drátěnky, brusné čisticí prostředky, leptavé chemikálie, benzín, ředidla apod. Žádnou část grilu nemyjte v myčce nádobí. Gril ani jeho síťový kabel neponožte do vody nebo jiné tekutiny.

SKLADOVÁNÍ

- ☼ Je-li grilovací deska 3 vychladlá, gril a jeho napájecí přívod uložte na suché, čisté místo mimo dosah dětí.

8. TECHNICKÉ ÚDAJE

Jmenovitý rozsah napětí	220–240 V
Jmenovitý kmitočet	50/60 Hz
Jmenovitý příkon	1400–1600 W

Změny textu a technických specifikací vyhrazeny.

VYSVĚTLENÍ ŠTÍTKŮ NA STROJI



Tento produkt je vyroben v souladu se schválenými normami.



Toto zařízení je chráněno dvojitou izolací. Vždy zkontrolujte, zda síťové napětí odpovídá napětí na typovém štítku.

IPX4

Stupeň ochrany

9. LIKVIDACE



Toto nářadí, nabíjecí baterie, příslušenství a obaly musí být tříděny, aby byla zajištěna jejich ekologická recyklace.

Nevyhazujte elektrické nářadí a baterie nebo nabíjecí baterie do běžného domácího odpadu!

Pouze pro země z Evropské unie:



Podle evropské směrnice 2012/19/EU musí být elektrické nářadí, které již není dále používáno, a v souladu s evropskou směrnicí 2006/66/EC, musí být vadné nebo použité sady baterií/baterie, sbírány odděleně a likvidovány způsobem šetrným k životnímu prostředí.

POKYNY A INFORMACE K LIKVIDACI VYŘAZENÝCH OBALOVÝCH MATERIÁLŮ

Odevzdejte všechny použité obalový materiál na místě, které je určeno úřadem pro likvidaci odpadu.

LIKVIDACE VYŘAZENÝCH ELEKTRICKÝCH A ELEKTRONICKÝCH ZAŘÍZENÍ



Tento symbol na výrobcích nebo v přiložené dokumentaci znamená, že vyřazená elektrická nebo elektronická zařízení nesmí být vyhazována do běžného komunálního odpadu. Odevzdejte tyto výrobky na určených sběrných místech, kde bude provedena jejich správná likvidace, obnovení a recyklace. V některých státech Evropské unie nebo v některých evropských zemích můžete při nákupu odpovídajícího nového výrobku vrátit vaše výrobky místnímu prodejci. Správnou likvidací tohoto výrobku pomáháte chránit cenné přírodní zdroje a zabráníte možným negativním dopadům na životní prostředí a lidské zdraví, ke kterým by mohlo dojít v důsledku nesprávné likvidace odpadu. Další podrobnosti vám poskytnou místní úřady nebo nejbližší sběrný dvůr. V případě nesprávné likvidace tohoto druhu odpadu mohou být uloženy pokuty v souladu s platnými národními předpisy.

Pro společnosti, které působí v zemích Evropské unie

Chcete-li zlikvidovat elektrická nebo elektronická zařízení, vyžádejte si potřebné informace od vašeho prodejce nebo dodavatele. Likvidace v zemích mimo Evropskou unii Chcete-li tento výrobek zlikvidovat, požádejte místní úřady nebo prodejce o nezbytné informace o způsobu likvidace.



Tento výrobek splňuje všechny základní požadavky všech příslušných směrnic EU.

Text, design a technické specifikace se mohou změnit bez předchozího upozornění a vyhraujeme si právo na provádění těchto změn.

Uživatelské příručka v originálním jazyce.

Elektrický gril

POUŽÍVATEĽSKÁ PRÍRUČKA

Pred použitím spotrebiča sa, prosím, oboznámte s návodom na jeho obsluhu, a to aj v prípade, že ste už oboznámení s používaním výrobkov podobného typu. Spotrebič používajte iba tak, ako je opísané v tomto návode. Návod uschovajte na budúce použitie. Minimálne počas záruky odporúčame uschovať originálny prepravný kartón, baliaci materiál, pokladničný doklad a záručný list. V prípade prepravy zabaľte spotrebič opäť do originálnej škatule od výrobcu.

OBSAH

1. DÔLEŽITÉ BEZPEČNOSTNÉ POKYNY	32
2. POPIS ELEKTRICKÉHO GRILU	34
3. ZOSTAVENIE ELEKTRICKÉHO GRILU	35
4. PRED PRVÝM POUŽITÍM	36
5. POUŽITIE ELEKTRICKÉHO GRILU	36
6. ODPORÚČANÉ ČASY PRÍPRAVY MÄSA	38
7. ČISTENIE A ÚDRŽBA	39
8. TECHNICKÉ ÚDAJE	40
9. LIKVIDÁCIA	41

1. DÔLEŽITÉ BEZPEČNOSTNÉ POKYNY

Tento spotrebič môžu používať deti vo veku 8 rokov a staršie a osoby so zníženými fyzickými, zmyslovými alebo mentálnymi schopnosťami alebo s nedostatkom skúseností a znalostí, ak sú pod dozorom alebo boli poučené o používaní spotrebiča bezpečným spôsobom a rozumejú prípadným nebezpečenstvám.

Deti sa so spotrebičom nesmú hrať. Čistenie a údržbu nesmú vykonávať deti bez dozoru.

Ak je prírodný kábel poškodený, jeho výmenu zverte odbornému servisnému stredisku, aby sa zabránilo vzniku nebezpečnej situácie. Je zakázané používať spotrebič s poškodeným prírodným káblom.



Upozornenie:

Teplota prístupných povrchov môže byť vyššia, ak je spotrebič v činnosti. Dbajte na to, aby ste sa nedotkli zahriateho povrchu veka, základne grilu alebo grilovacej dosky. Mohlo by dôjsť k popáleniu pokožky.

DÔLEŽITÉ BEZPEČNOSTNÉ POKYNY

ČÍTAJTE POZORNE A USCHOVAJTE ICH NA BUDÚCE POUŽITIE.

- * Tento spotrebič je určený na použitie vonku. Nepoužívajte ho na komerčné účely.
- * Pred pripojením spotrebiča k sieťovej zásuvke sa uistite, že technické údaje uvedené na štítku spotrebiča sa zhodujú s elektrickým napätím zásuvky, ku ktorej chcete spotrebič pripojiť.
- * Spotrebič musí byť zapojený do zásuvky, ktorá má uzemňovací (ochranný) kontakt (pri spotrebičoch triedy ochrany I).
- * Do napájania spotrebiča má byť včlenený prúdový chránič (RSD) s vybavovacím prúdom neprekračujúcim 30 mA.
- * V prípade potreby je možné použiť predlžovací kábel, ktorý je určený na prúdové zaťaženie minimálne 10 A. Poddimenzovaný kábel by sa mohol prehriať. K predlžovaciemu káblu nepripájajte žiadne ďalšie spotrebiče. Predlžovací kábel umiestnite tak, aby sa po ňom nešliapalo alebo aby sa oň nezakopávalo.

⚠ Upozornenie:

Tento spotrebič nie je určený na ovládanie prostredníctvom programátora, vonkajšieho časového spínača alebo diaľkového ovládania.

- * Spotrebič neumiestňujte na nestabilné povrchy, elektrický alebo plynový varič a iné zdroje tepla alebo do ich blízkosti.
- * Spotrebič nepoužívajte v bezprostrednom okolí vane, sprchy, bazéna a nevystavujte ho dažďu alebo vysokej vlhkosti.
- * Aby ste zabránili prípadnému úrazu elektrickým prúdom, neponárajte spotrebič ani jeho napájací prívod do vody alebo inej tekutiny.
- * Spotrebič používajte iba sa zástrčkou jednotky termostatu, ktorá sa s ním dodáva.
- * Vždy najprv pripojte zástrčku jednotky termostatu k spotrebiču a až potom zapojte spotrebič do sieťovej zásuvky. Zástrčku jednotky termostatu udržiajte v suchu.

- ☼ Spotrebič sa môže používať so stojanom alebo bez neho. Ak budete používať spotrebič bez stojana, umiestnite pod neho žiaruvzdornú podložku. Pred zapnutím sa uistite, že spotrebič je riadne zostavený a inštalovaný na stabilnom, rovnom a suchom povrchu.
- ☼ **VÝSTRAHA:** V tomto spotrebiči sa nesmie používať drevené uhlie alebo podobné palivo.
- ☼ Pri prevádzke musí byť zaistený dostatočný priestor na cirkuláciu vzduchu nad spotrebičom a po všetkých jeho stranách. Spotrebič nepoužívajte v blízkosti horľavého materiálu, ako sú záclony, utierky na riad a pod. Odporúčaná vzdialenosť spotrebiča od horľavých materiálov je 100 cm.
- ☼ Pri grilovaní tučných potravín dbajte na zvýšenú opatrnosť, aby ste sa nepopálili prskajúcim tukom.
- ☼ Grilovacie dosky sa nedotýkajte ostrými alebo kovovými predmetmi ani ju nezakrývajte hliníkovou fóliou. Inak by mohlo dôjsť k poškodeniu jej povrchovej úpravy.
- ☼ Skôr ako odpojte jednotku termostatu od spotrebiča, spotrebič najskôr vypnite otočením termostatu do polohy OFF (vypnuté) a napájací prívod odpojte od zásuvky.
- ☼ Spotrebič vždy vypnite a odpojte od sieťovej zásuvky, ak ho nechávate bez dozoru alebo ak ho nebudete používať, pred premiestnením a čistením.
- ☼ Grilovacia doska zostáva horúca aj po vypnutí spotrebiča. Pred premiestnením, čistením alebo uskladnením spotrebiča vyčkajte, až grilovacia doska vychladne. Na prenášanie spotrebiča používajte tepelne izolované rukoväti.
- ☼ Grilovaciu dosku vyčistite po každom použití, pozrite kapitolu Čistenie a údržba.
- ☼ Grilovaciu dosku nepoužívajte na odkladanie predmetov.
- ☼ Neodpájajte spotrebič od sieťovej zásuvky ľahom za napájací prívod. Mohlo by dôjsť k poškodeniu napájacieho prívodu alebo sieťovej zásuvky. Prívod odpájajte od zásuvky ľahom za zástrčku prívodu.
- ☼ Dbajte na to, aby sa napájací prívod nedotýkal horúceho povrchu.
- ☼ Pravidelne kontrolujte napájací prívod, či nevykazuje známky poškodenia. Ak je napájací prívod poškodený, spotrebič nepoužívajte. Výmenu poškodeného napájacieho prívodu zverte odbornému servisnému stredisku.
- ☼ Nepoužívajte spotrebič, ak nefunguje správne, ak spadol na zem, sa poškodil alebo ponoril do vody.
- ☼ Aby ste sa vyvarovali nebezpečenstvu úrazu elektrickým prúdom, neopravujte spotrebič sami ani ho nijako neopravujte. Všetky opravy tohto spotrebiča zverte autorizovanému servisnému stredisku. Zášahom do spotrebiča počas platnosti záruky sa vystavujete riziku straty záručných plnení.

2. POPIS ELEKTRICKÉHO GRILU

- 1 Veko
- 2 Držadlo veka
- 3 Grilovacia doska
- 4 Vyberateľná odkvapkávacia tácka na šľavu a tuk
- 5 Základňa grilu
- 6 Tácka na korenie, omáčky, olej a pod.
- 7 Horná rúrka stojana
- 8 Krúžok
- 9 Spodná rúrka stojana
- 10A Nohy stojana (celkovo 5 ks)
- 10B Základňa stojana
- 11 Rukováti na prenášanie grilu
- 12 Otvor na zdierku
- 13 Svetelná kontrolka
- 14 Jednotka termostatu so zástrčkou na pripojenie k spotrebiču
- 15 Zdierka na pripojenie zástrčky jednotky termostatu
- 16 Kovová podložka
- 17 Skrutky (5 ks)

3. ZOSTAVENIE ELEKTRICKÉHO GRILU

Spotrebič vyberte z obalového materiálu a overte, či máte k dispozícii všetky súčasti vyobrazené v kapitole Popis elektrického grilu. Okrem vyššie uvedeného je súčasťou dodávky skrutka, ktorá slúži ako zádržka pre tácku 6; pozrite bod 5 nižšie.

1. K základni stojana 10B pripevnite nohy 10A. Správne pripevnenie nohy 10A k základni 10B je signalizované počuteľným cvaknutím.
2. Na spodnú stranu základne stojana 10B umiestnite kovovú podložku 16. Spojenie základne 10B a nôh stojana 10A zaistíte dodanými skrutkami 17 (celkovo 5 ks). Základňu 10B otočte tak, aby podložka 16 bola umiestnená na spodnej strane, a umiestnite ju na rovný a stabilný povrch.
3. Polovicu spojovacej tyčky (na obr. písmeno a) zaskrutkujte do spodnej rúrky 9. Na spodnú rúrku 9 nasadzte krúžok 8 a hornú rúrku 7 pripevnite k spodnej rúrke 8 zaskrutkovaním. Uistite sa, že spojenie rúrok je pevné.
4. Voľný koniec spodnej rúrky 9 zasunite do stredového otvoru v základni stojana 10B.
5. Do otvoru v hornej rúrke 7 vložte skrutku (na obr. písmeno b). Na rúrku 7 nasadzte tácku 6 a posuňte ju smerom dole. Skrutka slúži na ukočvenie tácky 6 v správnej polohe.
6. Na hornú rúrku 7 nasadzte základňu grilu 5.
7. Do otvoru v základni grilu 5 zasunite odkvapkávaciu tácku 4. Dbajte na to, aby výstupok v stredovej časti základni 5 zapadol do otvoru v odkvapkávacej táčke 4.
8. Do základne grilu 5 vložte grilovaciu dosku 3 tak, aby zdierka 15 bola umiestnená v otvore 12 a grilovacia doska 3 spočívala v horizontálnej polohe.
9. Namontujte rukoväť 2 do kovového veka 1 pomocou skrutky d a háčika c. Potom umiestnite veko na grilovaciu dosku.
10. Zástrčku jednotky termostatu 14 zapojte do zdierky 15. Dbajte na to, aby sa o napájací prívod nezakopávalo, aby nedošlo k pádu spotrebiča alebo k zraneniu.
11. Kovové veko (2) je možné otvoriť a umiestniť a zavesiť pomocou háčika na okraj grilovacej dosky 3.

4. PRED PRVÝM POUŽITÍM

1. Pred prvým použitím utrite vnútornú stranu veka 1 a grilovaciu dosku 3 handričkou navlhčenou v roztoku teplej vody a neutrálneho kuchynského saponátu. Povrch, na ktorý ste aplikovali saponát, utrite handričkou navlhčenou v čistej vode a potom vytrite dosucha.

Upozornenie:

Dbajte na to, aby pri čistení nevnikla voda do jednotky termostatu 14.


2. Odkvapkávaciu tácku 4 umyte v teplej vode s prídavkom neutrálneho kuchynského saponátu. Potom ju opláchnite pod čistou tečúcou vodou, osušte a vráťte späť na svoje miesto do základne grilu 5.

5. POUŽITIE ELEKTRICKÉHO GRILU


1. Gril môžete používať so stojanom alebo bez neho. V prípade, že nebudete používať stojan, gril umiestnite na žiaruvzdornú podložku.
2. Vyberte odkvapkávaciu tácku 4. Nalejte do nej toľko vody, aby sa zakrylo dno, a inštalujte ju späť na svoje miesto.

 **Poznámka:** Ak nalejete do odkvapkávacej tácky A6 vodu, bude sa vám po použití jednoduchšie čistiť.

3. Zástrčku napájacieho prívodu pripojte k zásuvke el. napätia.
4. Termostat nastavte podľa druhu potraviny, ktorý budete tepelne upravovať. Rozsvietená kontrolka signalizuje zahrievanie grilovacej dosky 3.

 **Poznámka:** Pri prvom použití priklopte veko 1 a termostat 14 nastavte na maximum do polohy MAX a vyčkajte, až dôjde k zahriatiu grilovacej dosky. Zahriatie grilovacej dosky 3 na nastavenú teplotu je signalizované zhasnutím svetelnej kontrolky. Gril nechajte spustený 3 – 5 minút naprázdno, aby sa odstránili prípadné pachy z výroby. Pri prvom spustení sa môže objaviť slabý dym, ktorý zakrátko zmizne.

5. Grilovaciu dosku 3 nechajte predhriať. Predhriatie so zatvoreným vekom 1 bude rýchlejšie. Hneď ako je dosiahnutá nastavená teplota, svetelná kontrolka zhasne. Gril je pripravený na použitie.
6. Odklopte veko 1 a na grilovaciu dosku 3 položte mäso, zeleninu alebo iné potraviny vhodné na grilovanie. Grilovať môžete so zatvoreným alebo otvoreným vekom 1. Stav potravín pravidelne kontrolujte a obracajte ich podľa potreby.

 **Poznámka:** Kontrolka zahrievania grilovacej dosky sa striedavo rozsvetuje a zhasína. Tým sa signalizuje udržiavanie nastavenej teploty.

7. Počas grilovania je potrebné dozerať na naplnenie odkvapkávacej tácky 4. Ak dôjde k jej naplneniu, vyprázdňte ju a inštalujte späť na svoje miesto. Kapacita odkvapkávacej tácky 4 je 300 ml.

Upozornenie:

Pri manipulácii s odkvapkávacou táckou 4 používajte lapku, aby nedošlo k popáleniu pokožky.

- Keď je pokrm hotový, obracačkou alebo kliešťami zo žiaruvzdorného materiálu ho odoberte z grilovacej dosky 3.

⚠ Upozornenie:

Nepoužívajte kovové kliešte alebo obracačky, nôž alebo iné ostré kovové kuchynské náčinie. Mohlo by dôjsť k poškodeniu nepriľnavej povrchovej úpravy grilovacej dosky A5.

- Skôr ako začnete grilovať ďalšie potraviny, najprv očistite povrch grilovacej dosky A5 drevenou alebo žiaruvzdornou plastovou štierkou od zvyškov potravín a vyprázdnite odkvapkávaciu tácku A6.

⚠ Upozornenie:

Pri čistení grilovacej dosky A5 dbajte na zvýšenú opatrnosť, aby ste sa nepopáliili o zahriaty povrch.

- Po ukončení používania vypnite gril nastavením termostatu A4 do polohy OFF (vypnuté). Zástrčku sieťového kábla vyfiahnite zo zásuvky el. napätia. Zástrčku jednotky termostatu A4 odpojte od grilu.
- Pred akoukoľvek ďalšou manipuláciou nechajte gril vychladnúť.

NEPRIĽNAVÁ POVRCHOVÁ ÚPRAVA GRILOVACEJ DOSKY


- Grilovacia doska 3 vášho grilu je opatrená špeciálnou nepriľnavou povrchovou úpravou. Táto povrchová úprava umožňuje pripravovať pokrmy zdravo za použitia minimálneho množstva tuku alebo oleja.
- Nepoužívajte ostré, kovové kuchynské náčinie ani nekrájajte pokrmy priamo na grilovacej doske 3. Výrobca nezodpovedá za poškodenie povrchovej úpravy spôsobené používaním ostrého alebo kovového kuchynského náčinia.
- Zmena farebnosti povrchu grilovacej dosky 3 nemá vplyv na jej funkčnosť.

TIPY NA GRILOVANIE MÄSA

- Na grilovanie používajte čerstvé mäso. Rozmrazené mäso pustí šťavu a po ugrilovaní bude vysušené.
- Negrilujte príliš veľké kusy mäsa. Pred grilovaním nakrájajte mäso na 1 až 2 cm hrubé plátky.
- Neodporúčame grilovať mäso s hrubými kosťami, ako sú napr. kotlety s kosťou.
- Pred grilovaním mäso nesolte. Inak bude tuhé a vysušené.
- Skôr ako začnete grilovať marinované mäso, kuchynským papierom najskôr vysušte prebytočnú marinádu. Niektoré marinády obsahujú veľké množstvo cukru, ktorý by sa pri grilovaní pripaľoval na grilovaciu dosku.
- Počas grilovania mäso neprepichujte. Inak z neho vytečie šťava a mäso bude tuhé a vysušené.
- Nevysušujte mäso príliš dlhým grilovaním.
- Kuracie mäso vždy dobre prepečte.
- Keď je mäso ugrilované, dochuňte ho soľou a korením podľa chuti.

6. ODPORÚČANÉ ČASY PRÍPRAVY MÄSA

Druh mäsa	Odporúčané nastavenie termostatu	Odporúčaný čas grilovania
Steak/hovädzie mäso	MAX	10 – 15 min
Bravčová panenka	4 – MAX	9 – 10 min
jahňacie	MAX	12 – 18 min
Kuracie stehná dolné	MAX	25 – 30 min
Kuracie krídla	MAX	15 – 20 min
Ryby (celé)	MAX	12 – 15 min
Kebab	3 – 4	10 – 12 min
Rôzne klobásy	3 – 4	8 – 12 min

 **Poznámka:** Vyššie uvedené časy sú iba orientačné. Skutočný čas grilovania závisí od veľkosti a hmotnosti potravín a tiež od toho, či grilujete so zatvoreným alebo otvoreným vekom 1.

7. ČISTENIE A ÚDRŽBA

- ☼ Pred čistením gril vždy vypnite nastavením termostatu 14 do polohy OFF (vypnuté). Zástrčku sieťového kábla vyťahnite zo zásuvky el. napätia a zástrčku jednotky termostatu 14 odpojte od grilu. Gril nechajte vychladnúť.
- ☼ Povrch grilovacej dosky 3 vyčistíte po každom použití, aby ste zabránili vrstveniu pripečených zvyškov potravín. Na čistenie použite navlhčenú, mäkkú textíliu. Ak na povrchu dosky 3 zostali pripečené zvyšky potravín, napr. z marinovaného mäsa, pokvapkajte tieto miesta roztokom vody a neutrálneho kuchynského saponátu. Po aplikácii saponátu utrite dosku 3 čistou, navlhčenou textíliou a potom ju vyтрите dosucha.

 **Tip:** Grilovacia doska 3 sa vám bude lepšie čistiť, keď bude ešte mierne vlažná.

- ☼ Z odkvapkávacej tácky 4 odstráňte šfavu a tuk. Potom ju umyte v teplej vode s prídavkom neutrálneho kuchynského saponátu a potom opláchnite čistou vodou, osušte a vložte späť do základne grilu.
- ☼ Veko 1 očistíte handričkou navlhčenou v roztoku teplej vody a neutrálneho kuchynského saponátu. Potom ho utrite čistou navlhčenou handričkou a osušte.
- ☼ Na čistenie rúkavätí 2 a stojana použite navlhčenú textíliu. Všetky tieto časti potom osušte.
- ☼ Jednotku termostatu 14 utrite suchou handričkou.
- ☼ Na čistenie nepoužívajte drôtenky, brúsne čistiace prostriedky, leptavé chemikálie, benzín, riedidlá a pod. Žiadnu časť grilu neumývajte v umývačke riadu. Gril ani jeho sieťový kábel neponárajte do vody alebo inej tekutiny.

SKLADOVANIE

- ☼ Ak je grilovacia doska 3 vychladnutá, gril a jeho napájací prívod uložte na suché, čisté miesto mimo dosahu detí.

8. TECHNICKÉ ÚDAJE

Menovitý rozsah napätia	220 – 240 V
Menovitý kmitočet	50/60 Hz
Menovitý príkon	1 400 – 1 600 W

Zmeny textu a technických špecifikácií vyhradené.

VYSVETLENIE ŠTÍTKOV NA STROJI



Tento produkt je vyrobený v súlade so schválenými normami.



Toto zariadenie je chránené dvojitou izoláciou.

Vždy skontrolujte, či sieťové napätie zodpovedá napätiu na typovom štítku.

IPX4

Stupeň ochrany

9. LIKVIDÁCIA



Toto náradie, nabíjacie batérie, príslušenstvo a obaly sa musia triediť, aby bola zaistená ich ekologická recyklácia.

Nevyhadzujte elektrické náradie a batérie alebo nabíjacie batérie do bežného domového odpadu!

Iba pre krajiny z Európskej únie:



V súlade s európskymi smernicami 2012/19/EÚ a 2006/66/EC sa musí elektrické náradie, ktoré sa už ďalej nepoužíva, a takisto chybné alebo použité súpravy batérií/batérie, zbierať oddelene a likvidovať spôsobom šetrným k životnému prostrediu.

POKYNY A INFORMÁCIE PRE LIKVIDÁCIU VYRADENÝCH OBALOVÝCH MATERIÁLOV

Odovzdajte všetok použitý obalový materiál na mieste, ktoré je určené úradom na likvidáciu odpadu.

LIKVIDÁCIA VYRADENÝCH ELEKTRICKÝCH A ELEKTRONICKÝCH ZARIADENÍ



Tento symbol na výrobkoch alebo v priloženej dokumentácii znamená, že vyradené elektrické alebo elektronické zariadenia sa nesmú vyhadzovať do bežného komunálneho odpadu. Odovzdajte tieto výrobky na určených zberných miestach, kde sa vykoná ich správna likvidácia, obnovenie a recyklácia. V niektorých štátoch Európskej únie alebo v niektorých európskych krajinách môžete pri nákupe zodpovedajúceho nového výrobku vrátiť vaše výrobky miestnemu predajcovi. Správnu likvidáciu tohto výrobku pomáhate chrániť cenné prírodné zdroje a zabrániť možným negatívnym dopadom na životné prostredie a ľudské zdravie, ku ktorým by mohlo dôjsť v dôsledku nesprávnej likvidácie odpadu. Ďalšie podrobnosti vám poskytnú miestne úrady alebo najbližší zberný dvor. V prípade nesprávnej likvidácie tohto druhu odpadu sa môžu uložiť pokuty v súlade s platnými národnými predpismi.

Pre spoločnosti, ktoré pôsobia v krajinách Európskej únie

Ak chcete zlikvidovať elektrické alebo elektronické zariadenia, vyžiadajte si potrebné informácie od vášho predajcu alebo dodávateľa. Likvidácia v krajinách mimo Európskej únie

Ak chcete tento výrobok zlikvidovať, požiadajte miestne úrady alebo predajcu o nevyhnutné informácie o spôsobe likvidácie.



Tento výrobok spĺňa všetky základné požiadavky všetkých príslušných smerníc EÚ.

Text, dizajn a technické špecifikácie sa môžu zmeniť bez predchádzajúceho upozornenia a vyhradujeme si právo na vykonávanie týchto zmien.

Používateľská príručka v originálnom jazyku.

Elektromos grill

FELHASZNÁLÓI KÉZIKÖNYV

A készülék első bekapcsolása előtt olvassa el a használati útmutatót, akkor is, ha hasonló készülékek használatát már ismeri. A készüléket csak a használati útmutatóban leírtak szerint használja. Kérjük, őrizze meg az útmutatót a későbbiekre. Javasoljuk, hogy legalább a jótállási idő végéig őrizze meg az eredeti csomagolást, a csomagolóanyagot, a pénztári bizonylatot és a garancialevelet. Szállítás esetén a terméket csomagolja vissza a gyártó által adott eredeti dobozba.

TARTALOM

1. FONTOS BIZTONSÁGI UTASÍTÁSOK.....	44
2. AZ ELEKTROMOS GRILL LEÍRÁSA	46
3. AZ ELEKTROMOS GRILL ÖSSZEÁLLÍTÁSA.....	47
4. AZ ELSŐ HASZNÁLAT ELŐTT	48
5. AZ ELEKTROMOS GRILL HASZNÁLATA	48
6. JAVASOLT HÚSKÉSZÍTÉSI IDŐK	50
7. TISZTÍTÁS ÉS KARBANTARTÁS.....	51
8. MŰSZAKI ADATOK	52
9. MEGSEMISÍTÉS	53

1. FONTOS BIZTONSÁGI UTASÍTÁSOK

Ezt a berendezést csak 8 évnél idősebb gyerekek használhatják és olyan csökkent mentális és fizikai képességű személyek, akik felügyelet alatt vannak vagy ismertették nekik a berendezés biztonságos használati módját és tisztában vannak az esetleges veszélyekkel.

Gyermekeknek tilos a készülékkel játszani. A tisztítást és karbantartást nem végezhetik gyermekek felügyelet nélkül.

Ha tápkábel sérült, a cserét bízva szervizközpontra, hogy elkerülje veszélyes helyzetek kialakulását. Sérült hálózati kábellel a készüléket tilos használni.



Figyelmeztetés:

A hozzáférhető felületek hőfoka magasabb lehet, ha a berendezés működésben van. Ügyeljen arra, hogy ne érintse a felforrósodott fedő felületét, a grillt vagy a grillezőlapot. Égési sérülés veszélye.

FONTOS BIZTONSÁGI UTASÍTÁSOK

FIGYELMESEN OLVASSA EL ÉS ŐRIZZE MEG KÉSŐBBI FELHASZNÁLÁS CÉLJÁBÓL.

- ✿ Ezt a berendezést kültéri használatra tervezték. Ne használja kereskedelmi célokra.
- ✿ A berendezés hálózati aljzathoz csatlakoztatása előtt győződjön meg, hogy a berendezés címkéjén feltüntetett műszaki adatok megegyeznek a hálózati feszültséggel, amelyre a berendezést csatlakoztatja.
- ✿ A készüléket földelt (védő) érintkezővel ellátott aljzathoz kell csatlakoztatni (I. védelmi osztályú készülékek esetén).
- ✿ A maradékáramú eszközt (RSD) a készülék tápellátásában 30 mA-t meg nem haladó kioldási árammal kell ellátni.
- ✿ Szükség esetén használható hosszabbító kábel, amelyen a minimum áramfogyasztás 10 A. Aluldimenzionált kábel felmelegedhetne. A hosszabbító kábelhez ne csatlakoztasson semmilyen más berendezést. A hosszabbító kábelt úgy helyezze el, hogy ne tapossanak rajta és ne botoljanak meg benne.

⚠ Figyelmeztetés:

Ezt a készüléket nem programozóval, külső időkapcsolóval vagy távirányítóval való használatra tervezték.

- ✿ A készüléket ne helyezze ingatag felületre, elektromos- vagy gázsütőre vagy más hőforrásra vagy annak közelébe.
- ✿ A berendezést ne használja kád, zuhany, medence közvetlen közelében és ne tegye ki esőnek vagy nagy páratartalomnak.
- ✿ Áramütés elkerülése végett a berendezést, tápkábelt ne merítse vízbe vagy más folyadékba.
- ✿ A berendezést csak a termosztát egység dugójával használja, amit a berendezéshez kapott.
- ✿ Mindig előbb szűrje a termosztát egység dugóját a berendezésbe és azután szűrje a berendezést az áramhálózatba. A termosztát egység dugóját tartsa szárazon.
- ✿ A berendezés használható állvánnyal vagy anélkül. Ha a berendezést állvány nélkül használja, tegye hőnek ellenálló alátétre. Bekapcsolás előtt győződjön meg, hogy a berendezés rendesen össze van állítva stabil, egyenes és száraz felületen.

- ✿ **FIGYELMEZTETÉS:** Ebben a berendezésben nem használható faszén vagy hasonló tüzelőanyag.
- ✿ Használat közben biztosítani kell a megfelelő szellőzést a berendezés fölött és minden oldalán. A berendezést ne használja gyúlékony anyag mellett, mint pl. függöny, törlőrongy stb. Az ajánlott távolság ilyen anyagoktól 100 cm.
- ✿ Zsíros élelmiszerek grillezésénél óvatosan járjon el, hogy ne égesse meg magát a pattogó zsírral.
- ✿ A grillezőlapot ne érintse éles vagy fém tárgyakkal, se ne takarja le alumínium fóliával. Különböző berendezés és a felületi kivitele károsodhat.
- ✿ Mielőtt lecsatlakoztatja a termosztát egységet a berendezésről, a berendezést kapcsolja ki a termosztát OFF (kikapcs)-ra kapcsolásával és a tápkábelt húzza ki.
- ✿ A berendezést mindig húzza ki és áramtalanítsa, ha nem használja és ha felügyelet nélkül hagyja, szerelés, szétszerelés vagy tisztítás előtt.
- ✿ A grillezőlap forró marad a berendezés kikapcsolása után is. Áthelyezés, tisztítás vagy tárolás előtt várja meg, míg a grillezőlap kihűl. A berendezés áthelyezéséhez használja a hőszigetelt fogantyút.
- ✿ A grillezőlapot tisztítsa meg minden használat után, lásd Tisztítás és karbantartás fejezet.
- ✿ A grillezőlapot ne használja tárgyak tárolására.
- ✿ Ne a tápkábelnél fogva húzza ki a hálózati aljzatból. Ezzel megsérülhet a tápkábel vagy a hálózati aljzat. A kábelt a dugónál húzva húzza ki az aljzatból.
- ✿ Ügyeljen arra, hogy a tápkábel ne érintkezzen forró felülettel.
- ✿ Rendszeresen ellenőrizze a tápkábelt, hogy nem sérült-e. Ha a tápkábel sérült, a berendezést ne használja. A sérült tápkábel cseréjét bízza szakszervizre.
- ✿ Ne használja a berendezést, ha nem működik jól, ha földre esett, sérült vagy vízbe merült.
- ✿ Áramütés veszélyének elkerülése érdekében ne kísérelje meg a készüléket maga javítani vagy bármilyen módon módosítani. A készülék mindennemű javítását és beállítását bízza szakszervizre. A jótállási idő érvényessége alatt a készülékbe való beavatkozással elveszítheti a jótállásra vonatkozó jogát.

2. AZ ELEKTROMOS GRILL LEÍRÁSA

- 1 Fedél
- 2 Fedő fogantyú
- 3 Grillezőlap
- 4 Kivehető zsír- és lé-csöpögtető tálca
- 5 Grill alapegység
- 6 Fűszer, mártás, olaj stb. tálca
- 7 Állvány felső-rúd
- 8 Gyűrű
- 9 Állvány alsó-rúd
- 10A Állvány lábak (összesen 5 db)
- 10B Állvány-aljzat
- 11 Fogantyúk a grill áthelyezéséhez
- 12 Aljzat nyílás
- 13 Kontroll-lámpa
- 14 Termosztát egység berendezéshez csatlakoztató dugóval
- 15 Aljzat a termosztát csatlakoztatásához
- 16 Fém alátét
- 17 Csavarok (5 db)

3. AZ ELEKTROMOS GRILL ÖSSZEÁLLÍTÁSA

A berendezést vegye ki a csomagolóanyagból és ellenőrizze, hogy minden az Elektromos grill leírása fejezetben kiabrázolt részszem a rendelkezésére áll. A fentiek kivül a szállítás tartalmaz egy csavart, amely a 6. tálcá ütközöjeként szolgál; lásd az alábbi 5. pontot.

1. Az állvány alapjához 10B rögzítse a lábakat 10A. A lábak 10A helyes rögzítését az alaphoz 10B hallható kattánás jelzi.
2. Az állvány alap aljára 10B tegye a fém alátétet 16. Az állvány alap 10B és a láb 10A összekapcsolását a mellékelt csavarokkal 17 (összesen 5 db) biztosítsa. Az állvány alapot 10B fordítsa úgy, hogy az alátét 16 az alján legyen, és tegye egyenes és stabil felületre.
3. Csavarja be a csatlakozórúd felét (az a betű az ábrán) az alsó csőbe 9. Az alsó csőre 9 tegye a gyűrűt 8 és a felső csövet 7 rögzítse az alsó csőhöz 8 csavarozással. Győződjön meg, hogy a csövek kapcsolódása szilárd.
4. Az alsó cső 9 szabad végét szúrja az állvány alap középső nyílásába 10B.
5. Helyezzen egy csavart (az ábrán b betű) a felső cső furatába 7. A csőre 7 a helyezze fel a tálcát 6 a és tolja lefelé. A csavar a tálcá 6 megfelelő helyzetben rögzítésére szolgál.
6. A felső csőre 7 tegye a grill alapegységet 5.
7. Az alapegység nyílásába 5 tolja a söpöggető tálcát 4. Ügyeljen arra, hogy az alapegység közepén levő kiugrás 5 illeszkedjen a lecsöpöggető tálcá nyílásába 4.
8. A grill alapegységbe 5 tegye a grillezólapot 3 úgy, hogy az aljat 15 a nyílásban legyen 12 és a grillezólap 3 vízszintes helyzetben legyen.
9. Rögzítse a fogantyút 2 a fém fedőbe 1 csavara d és horog c segítségével. Majd helyezze a fedőt a grillezólapra.
10. A termosztát egység dugóját 14 szúrja az aljzatba 15. Ügyeljen arra, hogy a tápkábelben ne botoljanak meg, hogy ne essen le a berendezés és ne történjen sérülés.
11. A fém fedelet (2) horog segítségével lehet kinyitni, elhelyezni és a grillemez szélére akasztani 3.

4. AZ ELSŐ HASZNÁLAT ELŐTT

1. Első használat előtt törölje le a fedél 1 belsejét és a grillemezt 3 meleg vízzel és semleges konyhai mosószerrel megnedvesített ruhával. A felületet, amelyen a tisztítószer alkalmazta, jól törölje meg tiszta vízbe mártott ronggyal, majd törölje szárazra.

Figyelmeztetés:

Ügyeljen arra, hogy a tisztításnál ne kerüljön víz a termosztát egységébe 14.


2. A csöpögtető tálcát 4 mossa meg semleges mosogatószeres meleg vízben. Ezután öblítse le tiszta vízzel és tegye vissza a helyére a grill alapegységében 5.

5. AZ ELEKTROMOS GRILL HASZNÁLATA


1. A grill használható állvánnyal vagy anélkül. Ha nem használja az állványt, a grillt tegye hőnek ellenálló alátételre.
2. Vegye ki a csöpögtető tálcát 4. Öntsön bele annyi vizet, hogy befedje az alját és telepítse vissza a helyére.

 **Megjegyzés:** Ha vizet önt a lecsöpögtető tálcába A6, használat után könnyebben tisztítható.

3. Szúrja a tápkábel dugót a hálózati aljzatba.
4. A termosztátot állítsa be az élelmiszer fajtája szerint, amit grillez. A világító kontroll-lámpa jelzi a grillezőlap 3 melegedését.

 **Megjegyzés:** Első használatkor csukja le a fedelet 1, és állítsa a termosztátot 14 a maximális MAX helyzetbe, és várja meg, amíg a grillemez felmelegszik. Ha a grillemez 3 felmelegedett a beállított hőmérsékletre, a kontroll-lámpa kialszik. A grillt hagyja elindítva 3–5 percig üresben, hogy eltávolítsa az esetleges szagokat. Az első elindításnál enyhe füst jelentkezhet, ami rövid idő múlva eltűnik.

5. A grillezőlapot 3 hagyja előmelegedni. Az előmelegítés lezárt fedővel 1 gyorsabb. Amint el van érve a beállított hőfok, a kontrollfény kialszik. A grillsütő használatra kész.
6. Hajtsa fel a fedőt 1 és a grillezőlapra 3 tegye a grillezendő húst, zöldséget vagy más élelmiszert. Grillezhet lezárt vagy nyitott fedővel 1. Az élelmiszerek állapotát rendszeresen ellenőrizze és fordítsa meg szükség szerint.

 **Megjegyzés:** A grillezőlap melegedését jelző kontrollfény váltakozva kivilágítódik és kialszik. Ezzel van jelezve a beállított hőfok tartása.

7. Grillezés közben figyelni kell a csöpögtető tálca 4 telítődésére. Ha megtelik, ürítse ki és tegye vissza a helyére. A csöpögtető tálca 4 kapacitása 300 ml.

Figyelmeztetés:

A csöpögtető tálca 4 kezelésénél használjon kesztyűt, hogy ne égesse meg a bőrét.

8. Ha az étel kész, hőálló szedőkanállal vagy fogóval vegye le a grillezőlapról 3.

⚠ Figyelmeztetés:

Ne használjon fém fogót, szedőkanalat, kést vagy más éles konyhai eszközt. Megséríthetné a grillezőlapok A5 tapadásmentes felületét.

9. Mielőtt más ételeket grillezne, először fa vagy hőálló műanyag spatulával tisztítsa meg az grilllap felületét A5 az ételmaradékoktól, és ürítse ki a csepptálcát A6.

⚠ Figyelmeztetés:

A grillezőlap A5 tisztításánál fokozott óvatossággal járjon el, hogy ne égesse meg magát a forró felületen.

10. Használat után kapcsolja ki a grillt a termosztát A4 OFF (kikapcs) helyzetbe kapcsolásával. A tápkábel dugóját húzza ki az áramhálózatból. A termosztát egység dugóját A4 húzza ki a grillből.
11. Minden egyéb művelet előtt hagyja a grillsütőt kihűlni.

A GRILLEZŐLAP TAPADÁSMENTES FELÜLETE

- ☼ A grillezőlap 3 speciális tapadásmentes felületi kivittel van ellátva. Ez a felületi kivitel az ételek egészséges elkészítését teszi lehetővé minimális zsír vagy olaj felhasználásával.
- ☼ Ne használjon éles, fém konyhai eszközöket és az ételt ne szeletelje a grillezőlapon 3. A gyártó nem felel a felületi kivitel éles vagy fém konyhai eszközzel okozott károsodásáért.
- ☼ A grillezőlap 3 felületi elszíneződése nincs hatással a működésre.

TIPPEK HÚS GRILLEZÉSÉHEZ

- ☼ A grillezéshez friss húst használjon. A kiolvasztott hús lét ereszt és a grillezésnél kiszárad.
- ☼ Ne grillezzen túl nagy húsdarabokat. Grillezés előtt a húst vágja föl 1 - 2 cm darabokra.
- ☼ Nem javasoljuk az erős csontú hús grillezését, mint pl. csontos karaj.
- ☼ Grillezés előtt a húst ne sózza meg. Különben kemény és száraz lesz.
- ☼ Mielőtt pácolt húst kezd grillezni, konyhai törőpapírral szárítsa fel a fölösleges pácot. Némelyik pác sok cukort tartalmaz, ami grillezésnél a grillezőlapra éghet.
- ☼ Grillezés közben a húst ne szurkódja át. Különben kicsurog a leve és a hús kemény és száraz lesz.
- ☼ Ne szárítsa ki a húst túl hosszú grillezéssel.
- ☼ A csibehúst mindig jól süsse át.
- ☼ Ha a hús meg van grillezve, ízesítse sóval vagy más fűszerrel.

6. JAVASOLT HÚSKÉSZÍTÉSI IDŐK

Húsfajta	Ajánlott termosztát beállítás	Ajánlott grillezési idő
Steak / marhahús	MAX	10–15 perc
Sertés szűzpecsenye	4–MAX	9–10 perc
Báránycsont	MAX	12–18 perc
Csibecomb	MAX	25–30 perc
Csibeszárny	MAX	15–20 perc
Hal (egész)	MAX	12–15 perc
Kebab	3–4	10–12 perc
Különböző kolbászok	3–4	8–12 perc

 **Megjegyzés:** A fentebbi idők csak tájékoztató jellegűek. A tényleges grillezési idő az étel méretétől és súlyától, valamint attól függ, hogy zárt vagy nyitott fedéllel grilleznek.

7. TISZTÍTÁS ÉS KARBANTARTÁS

- ✿ Használat után mindig kapcsolja ki a grillt a termosztát 14 OFF (kikapcs) helyzetbe kapcsolásával. Húzza ki a tápkábel dugóját húzza ki az áramellátásból. A termosztát egység dugóját A4 húzza ki a

grillből. A grillt hagyja kihűlni.

- ✿ A grillezőlap felületét 3 minden használat után tisztítsa meg, hogy elkerülje az ételmaradékok ráakódását. A tisztításra nedves, lágy rongyot használjon. Ha sült ételmaradványok, például pácolt húsból, maradnak a lemez 3 felületén, csepegtessen ezekre a helyekre víz és semleges konyhai mosószer oldatot. A tisztítószer felvittele után törölje le a lapot 3 tiszta nedves ronggyal és szárítsa meg.

 **Tipp:** A grillezőlap 3 jobban tisztítható, ha egy kicsit nedves.

- ✿ A lecsöpögtető tálcából 4 távolítsa el a levet és a zsírt. Majd mossa el meleg vízben semleges mosogatószerrel és azután öblítse le tiszta vízzel, szárítsa meg és tegye vissza a grill alapegységbe.
- ✿ A fedőt 1 tisztítsa meg meleg vízbe és semleges mosogatószerbe mártott ronggyal. Azután törölje meg tiszta nedves ronggyal és szárítsa meg.
- ✿ A fogantyú 2 a és állvány tisztítására nedves rongyot használjon. Majd törölje szárazra.
- ✿ A termosztát egységet 14 törölje meg száraz ronggyal.
- ✿ A tisztításhoz ne használjon drótszivacsot, súrolószereket, ragadós vegyszereket, benzint, oldószert stb. A grill egyik részét se mossa mosogatógépből. A grillt, se a tápkábelt ne merítse vízbe vagy más folyadékba.

TÁROLÁS

- ✿ • Ha a grillezőlap 3 kihűlt, a grillt és a tápkábelt tegye száraz, tiszta helyre gyerekektől távol.

8. MŰSZAKI ADATOK

Névleges feszültség-tartomány	220–240 V
Névleges frekvencia	50/60 Hz
Névleges fogyasztás	1400–1600 W

A szöveg és a műszaki paraméterek megváltoztatásának joga fenntartva.

A GÉPEN TALÁLHATÓ CÍMKÉK MAGYARÁZATA



Ezt a terméket a jóváhagyott szabványok szerint gyártják.



A készüléket dupla izoláció védi.
Mindig ellenőrizze, hogy a hálózati feszültség megfelel-e a típuscímkén feltüntetett feszültségnek.

IPX4

Védelmi osztály

9. MEGSEMMISÍTÉS



A szerszámot, újratölthető elemeket, tartozékokat és csomagolásokat az ökológiai újrahasznosítás érdekében szét kell válogatni.

Az elektromos szerszámokat, elemeket és újratölthető elemeket ne dobja a háztartási hulladékba!

Csak az Európai Unió országai esetében:



A 2012/19/EU európai irányelv szerint a már nem használt kéziszerszámokat és a 2006/66/EK európai irányelvnek megfelelő hibás vagy használt akkumulátorokat külön kell összegyűjteni és környezetbarát módon megsemmisíteni.

A HASZNÁLT CSOMAGOLÓANYAGOKRA VONATKOZÓ MEGSEMMISÍTÉSI UTASÍTÁSOK ÉS TÁJÉKOZTATÓ

Az összes használt csomagolóanyagot a hulladékkezelő hatóság által kijelölt helyen adja le.

HASZNÁLT ELEKTROMOS ÉS ELEKTRONIKUS BERENDEZÉSEK MEGSEMMISÍTÉSE



Ez a jel a terméken vagy a kísérő dokumentációban azt jelzi, hogy a kiselejtezett elektromos és elektronikus berendezéseket nem szabad a háztartási hulladék közé dobni. Vigye el őket az erre meghatározott gyűjtőudvarokba, ahol gondoskodnak helyes megsemmisítésükről, felújításukról vagy újrahasznosításukról. Az Európai Unió egyes országában vagy más európai országokban a termékek az eladóhelyen megfelelő új termék vásárlásánál visszaválthatók lehetnek. A termék megfelelő módon történő megsemmisítésével segít megőrizni az értékes természeti erőforrásokat, és hozzájárul a nem megfelelő hulladék-megsemmisítés által okozott esetleges negatív környezeti és egészségügyi hatások megelőzéséhez. További részletekért forduljon a helyi önkormányzathoz vagy a legközelebbi hulladék-megsemmisítő gyűjtőtelephez. Az ilyen típusú hulladék helytelen megsemmisítése esetén a vonatkozó nemzeti előírásoknak megfelelően bírságok szabhatók ki.

Az Európai Unió országában működő vállalatok számára

Ha elektromos vagy elektronikus berendezést kíván megsemmisíteni, kérjen információt a termék eladójától vagy forgalmazójától. Megsemmisítés az Európai Unión kívüli más országokban Ha ezt a terméket likvidálni szeretnői, kérje a helyi hatóságoktól vagy a forgalmazótól a megsemmisítéssel kapcsolatos információkat.



Ez a termék teljesíti az EU valamennyi vonatkozó irányelvének alapkövetelményeit.

A szövegben, kivitelben és műszaki jellemzőkben előzetes figyelmeztetés nélkül változtatások történhetnek, és e változtatások jogát fenntartjuk.

Eredeti nyelvű felhasználói kézikönyv.

Grill elektryczny

INSTRUKCJA OBSŁUGI

Przed użyciem urządzenia prosimy zapoznać się z instrukcją jego obsługi, nawet w przypadku, jeśli mają Państwo doświadczenie z użytkowaniem urządzeń podobnego typu. Z urządzenia należy korzystać wyłącznie tak, jak zostało to opisane w niniejszej instrukcji. Instrukcję należy zachować do wglądu. Zalecamy zachować oryginalny karton służący do transportu urządzenia, materiały pakunkowe, dowód sprzedaży i kartę gwarancyjną minimalnie przez okres obowiązywania gwarancji. W razie transportu urządzenie należy zapakować do oryginalnego pudełka, w którym zostało dostarczone od producenta.

SPIS TREŚCI

1. ISTOTNE WSKAZÓWKI BEZPIECZEŃSTWA.....	56
2. OPIS GRILLA ELEKTRYCZNEGO.....	58
3. MONTAŻ GRILLA ELEKTRYCZNEGO.....	59
4. PRZED PIERWSZYM UŻYCIEM	60
5. OBSŁUGA GRILLA ELEKTRYCZNEGO	60
6. ZALECANY CZAS PRZYRZĄDZANIA MIĘSA	62
7. CZYSZCZENIE I KONSERWACJA.....	63
8. DANE TECHNICZNE	64
9. UTYLIZACJA	65

1. ISTOTNE WSKAZÓWKI BEZPIECZEŃSTWA

Z niniejszego urządzenia mogą korzystać dzieci w wieku od 8 lat oraz osoby o obniżonych zdolnościach fizycznych i umysłowych lub niewielkim doświadczeniu i wiedzy, o ile jest nad nimi sprawowany nadzór lub zostały one pouczone o korzystaniu z urządzenia w bezpieczny sposób i zdają sobie sprawę z ewentualnego niebezpieczeństwa.

Dzieciom nie wolno bawić się urządzeniem. Dzieci nie powinny wykonywać czyszczenia i konserwacji bez nadzoru.

W przypadku uszkodzenia kabla zasilającego, jego wymianę należy zlecić wykwalifikowanemu serwisowi, aby zapobiec niebezpiecznym sytuacjom. Zabrania się używania urządzenia z uszkodzonym kablem zasilającym.



Uwaga:

Temperatura dostępnych powierzchni może być wyższa, jeśli urządzenie pracuje. Zadbaj o to, aby nie dotykać rozgrzanej powierzchni pokrywy, podstawy grilla lub płyty grillującej. Może dojść do oparzenia skóry.

ISTOTNE WSKAZÓWKI BEZPIECZEŃSTWA

PROSIMY UWAGAŃNIE PRZECZYTAĆ I ZACHOWAĆ NA PRZYSZŁOŚĆ.

- * Urządzenie jest przeznaczone do użytku na zewnątrz. Nie należy go używać do celów komercyjnych.
- * Przed podłączeniem urządzenia do gniazdka sieciowego upewnij się, że parametry techniczne podane na etykiecie są zgodne z napięciem elektrycznym w gniazdku, do którego chcesz podłączyć urządzenie.
- * Urządzenie musi być podłączone do gniazdka, które posiada kontakt z uziemieniem (dla urządzeń I klasy ochrony).
- * Do podłączenia urządzenia powinien zostać podłączony ochronnik przeciwprzepięciowy (RSD) z prądem różnicowym nieprzekraczającym 30 mA.
- * W razie potrzeby można skorzystać z przedłużacza, przeznaczonego do poboru prądu elektrycznego o wartości minimalnie 10 A. Niewymiarowy kabel mógłby się przegrzać. Nie podłączaj do przedłużacza żadnych innych urządzeń. Umieść przedłużacz tak, aby nikt po nim nie deptał ani nie potykał się o niego.

⚠ Uwaga:

Tego urządzenia nie należy obsługiwać za pomocą programatora, zewnętrznego wyłącznika czasowego lub pilota zdalnego sterowania.

- * Nie umieszczaj urządzenia na niestabilnych powierzchniach, płycie elektrycznej lub gazowej oraz innych źródłach ciepła ani nie kładź go w ich pobliżu.
- * Nie używaj urządzenia w bezpośrednim pobliżu wanny, prysznica czy basenu ani nie narażaj go na oddziaływanie deszczu lub wysokiej wilgotności.
- * Aby zapobiec ewentualnemu porażeniu prądem elektrycznym, nie zanurzaj urządzenia ani jego kabla zasilającego w wodzie lub innej cieczy.
- * Używaj urządzenia wyłącznie razem z wtyczką jednostki termostatu dostarczaną razem z nim.
- * Podłącz najpierw wtyczkę jednostki termostatu do urządzenia, a następnie podłącz urządzenie do gniazdka sieciowego. Utrzymuj jednostkę termostatu suchą.

- ✿ Urządzenie może być używane ze stojakiem lub bez niego. Jeśli będziesz używać urządzenia bez stojaka, umieść pod nim podkładkę żaroodporną. Przed włączeniem upewnij się, że urządzenie jest prawidłowo zmontowane i zainstalowane na stabilnej, równej i suchej powierzchni.
- ✿ **OSTRZEŻENIE:** W tym urządzeniu nie należy używać węgla drzewnego ani podobnego rodzaju paliwa.
- ✿ Podczas używania urządzenia należy zapewnić dostateczną przestrzeń dla obiegu powietrza nad urządzeniem i wokół niego. Nie używaj urządzenia w pobliżu materiału łatwopalnego, np. firanek, ścierek do naczyń itp. Zalecana odległość urządzenia od materiałów łatwopalnych wynosi 100 cm.
- ✿ Podczas grillowania tłustych potraw należy zachować szczególną ostrożność, aby nie poparzyć się pryskającym tłuszczem.
- ✿ Nie dotykaj płyty grillującej ostrymi lub metalowymi przedmiotami ani nie zakrywaj jej folią aluminiową. Mogłoby dojść do uszkodzenia jego powierzchni.
- ✿ Zanim odłączysz jednostkę termostatu od urządzenia, najpierw odłącz urządzenie przez obrót termostatu na pozycję OFF (wyłączone) i odłącz kabel z gniazdka.
- ✿ Urządzenie należy zawsze wyłączyć i wyjąć wtyczkę z gniazdka zasilającego, jeżeli nie będzie używane przez dłuższy czas, jeśli będzie pozostawione bez nadzoru, oraz przed przemieszczeniem lub czyszczeniem.
- ✿ Płyta grillująca pozostaje gorąca również po wyłączeniu urządzenia. Przed przemieszczeniem, czyszczeniem lub umieszczeniem urządzenia w magazynie poczekaj, aż płyta grillująca ostygnie. Podczas przenoszenia urządzenia należy skorzystać z rękojeści termoizolacyjnej.
- ✿ Płytę grillującą należy wyczyścić po każdym użyciu, por. rozdział Czyszczenie i konserwacja.
- ✿ Nie używaj płyty grillującej do odkładania przedmiotów.
- ✿ Nie odłączaj urządzenia od gniazdka sieciowego poprzez pociąganie za kabel zasilający. Mogłoby dojść do uszkodzenia kabla zasilającego lub gniazdka. Przewód z gniazdka odłącza się ciągnąc za wtyczkę przewodu.
- ✿ Zadbaj o to, aby kabel zasilający nie dotykał gorącej powierzchni.
- ✿ Sprawdzaj regularnie, czy kabel zasilający nie wykazuje oznak uszkodzenia. Jeśli kabel zasilający jest uszkodzony, nie używaj urządzenia. Wymianę uszkodzonego kabla zasilającego należy powierzyć specjalistycznemu serwisowi.
- ✿ Nie używaj urządzenia, jeśli nie działa ono prawidłowo, jeśli spadło na ziemię, zostało uszkodzone lub zanurzone w wodzie.
- ✿ Aby zapobiec porażeniu prądem elektrycznym, nie naprawiaj urządzenia sam ani w żaden sposób go nie przerabiaj. Wszelkie naprawy tego urządzenia należy powierzyć autoryzowanemu serwisowi. Otwierając urządzenie w okresie gwarancyjnym ryzykuje się utratę gwarancji.

2. OPIS GRILLA ELEKTRYCZNEGO

- 1 Pokrywa
- 2 Uchwyt pokrywy
- 3 Płyta grillująca
- 4 Zdejmowana tacka ociekowa na sok i tłuszcz
- 5 Podstawa grilla
- 6 Tacka na przyprawy, sosy, olej itp.
- 7 Górna rurka stojaka
- 8 Kółko
- 9 Dolna rurka stojaka
- 10A Nogi stojaka (ogółem 5 szt.)
- 10B Podstawa stojaka
- 11 Uchwyt do przenoszenia grilla
- 12 Otwór na gniazdo
- 13 Kontrolka świetlna
- 14 Jednostka termostatu z wtyczką do podłączenia do urządzenia
- 15 Gniazdo po podłączeniu wtyczki jednostki termostatu
- 16 Metalowa podkładka
- 17 Śruby (5 szt.)

3. MONTAŻ GRILLA ELEKTRYCZNEGO

Wymij urządzenie z opakowania i sprawdź, czy masz do dyspozycji wszystkie części podane w rozdziale Opis grilla elektrycznego. Poza wyżej wymienionymi w skład zestawu wchodzi śrubka, która służy jako blokada tacki 6; patrz punkt 5 poniżej.

1. Do podstawy stojaka 10B przymocuj nogi 10A. Prawidłowe przymocowanie nóg 10A do podstawy 10B jest sygnalizowane przez zatrzaśnięcie.
2. Umieść na spodzie podstawy stojaka 10B metalową podkładkę 16. Zabezpiecz połączenie podstawy 10B i nóg stojaka 10A za pomocą dostarczonych śrub 17 (łącznie 5 szt.). Przekręć podstawę 10B tak, aby podkładka 16 znajdowała się na spodzie i umieść ją na równej i stabilnej powierzchni.
3. Połowę drążka łączącego (na rys. litera a) przykręć do dolnej rurki 9. Na dolną rurkę 9 załóż pierścień 8 i przymocuj górną rurkę 7 do dolnej rurki 8 poprzez ich przykręcenie. Upewnij się, że rury są mocno połączone.
4. Wsuń wolny koniec dolnej rurki 9 do środkowego otworu w podstawie stojaka 10B.
5. Do otworu w górnej rurce 7 włóż śrubkę (na rys. litera b). Nałóż na rurkę 7 tackę 6 a i przesuń ją w dół. Śruba służy do osadzenia tacki 6 we właściwej pozycji.
6. Nałóż podstawę grilla 5 na górną rurkę 7.
7. Wsuń tackę 4 do otworu w podstawie grilla 5. Zadbaj o to, aby wypustka w środkowej części podstawy 5 wsunęła się do otworu w tacce ociekowej 4.
8. Włóż do podstawy grilla 5 płytę grillującą 3 tak, aby otwór 15 został umieszczony w otworze 12, a płyta grillująca 3 znajdowała się w pozycji poziomej.
9. Zamontuj uchwyt 2 w metalowej pokrywie 1 przy pomocy śruby d i haczyka c. Następnie umieść pokrywę na płycie grillującej.
10. Podłącz wtyczkę jednostki termostatu 14 do gniazda 15. Zadbaj o to, aby nie można było się potknąć o kabel zasilający, aby nie doszło do przewrócenia urządzenia lub obrażeń osób.
11. Metalową pokrywę (2) można otworzyć i zawiesić przy pomocy haczyka na krawędzi płyty grillującej 3.

4. PRZED PIERWSZYM UŻYCIEM

1. Przed pierwszym użyciem wytrzyj wewnętrzną stronę pokrywy 1 i płytę grillującą 3 zwilżoną ściereczką w roztworze ciepłej wody i neutralnego płynu do mycia naczyń.. Wytrzyj powierzchnię, na której został zastosowany środek do mycia naczyń, ściereczką zwilżoną czystą wodą, a następnie wytrzyj ją do sucha.

Uwaga:

Zadbaj o to, aby podczas czyszczenia woda nie przedostała się do jednostki termostatu 14.


2. Umyj tackę ociekową 4 ciepłą wodą z dodatkiem neutralnego środka do mycia naczyń. Następnie opłucz ją pod czystą bieżącą wodą, osusz i umieść z powrotem na podstawie grilla 5.

5. OBSŁUGA GRILLA ELEKTRYCZNEGO


1. Grill może być używany ze stojakiem lub bez niego. Jeśli nie będziesz używać stojaka, umieść grill na podkładce żaroodpornej.
2. Wyjmij tackę ociekową 4. Nalej do niej tyle wody, aby pokrywała całe dno, i zainstaluj z powrotem na miejscu.

 **Uwaga:** Jeśli nalejesz do tacki ociekowej A6 wodę, będzie ją po użyciu łatwiej wyczyścić.

3. Włącz wtyczkę przewodu zasilającego do gniazdka instalacji elektrycznej.
4. Ustaw termostat zgodnie z rodzajem potrawy, którą będziesz grillować. Zapalona kontrolka sygnalizuje podgrzewanie płyty grillującej 3.

 **Uwaga:** Przy pierwszym użyciu przymknij pokrywę 1 i ustaw termostat 14 na maximum na pozycję MAX i odczekaj do podgrzania płyty grillującej. Pogrzanie płyty grillującej 3 na ustawioną temperaturę jest sygnalizowane przez zgaśnięcie kontrolki świetlnej. Pozostaw pusty grill włączony przez 3–5 minut, aby usunąć ewentualny brzydki zapach. Przy pierwszym uruchomieniu może pojawić się słaby dym, który po chwili zniknie.

5. Podgrzej płytę grillującą 3. Podgrzewanie przy zamkniętej pokrywie 1 będzie szybsze. Po osiągnięciu ustawionej temperatury kontrolka świetlna zgaśnie. Grill jest przygotowany do użytku.
6. Odchyl pokrywę 1 i połóż na płycie grillującej 3 mięso, warzywa lub inne produkty przeznaczone do grillowania. Możesz grillować z zamkniętą lub otwartą pokrywą 1. Sprawdzaj regularnie stan potraw i w razie potrzeby obracaj je.

 **Uwaga:** Kontrolka płyt grillujących na przemian zapala się i gaśnie. Sygnalizuje to na utrzymywanie ustawionej temperatury.

7. Podczas grillowania należy sprawdzać, czy nie doszło do zapełnienia tacki ociekowej 4. Jeśli dojdzie do jej zapełnienia, należy ją opróżnić i zainstalować ponownie na miejsce. Pojemność tacki ociekowej 4 wynosi 300 ml.

⚠ Uwaga:

Podczas przenoszenia tacki ociekowej 4 należy używać rękawic kuchennych, aby nie doszło do oparzeń skóry.

8. Gdy potrawa jest gotowa, zdejmij ją z płyty grillującej 3 za pomocą łopatki lub szczypców z materiału żaroodpornego.

⚠ Uwaga:

Nie używaj metalowych szczypców lub łopatki, noża lub innych ostrych akcesoriów kuchennych. Mogłoby dojść do uszkodzenia nieprzewierającej powłoki płyty grillującej A5.

9. Zanim zaczniesz grillować kolejne produkty, najpierw wyczyść powierzchnię płyty grillującej A5 drewnianą lub plastikową szpachlą z resztek produktów i opróżnij tackę A6.

⚠ Uwaga:

Podczas czyszczenia płyty grillującej A5 zachowaj szczególną ostrożność, aby nie oparzyć się o jej rozgrzaną powierzchnię.

10. Po zakończeniu grillowania wyłącz grill poprzez ustawienie termostatu A4 na pozycję OFF (wyłączone). Wyciągnij wtyczkę kabla sieciowego z gniazdka elektrycznego. Odłącz wtyczkę jednostki termostatu A4 od grilla.
11. Przed przeniesieniem grilla pozostaw go do ostygnięcia.

NIEPRZYWIERAJĄCA POWŁOKA PŁYTY GRILLUJĄCEJ


- ✿ Płyta grillująca 3 Twojego grilla jest wyposażona w specjalną powłokę nieprzewierającą. Powłoka ta umożliwi zdrowe przygotowywanie potraw przy użyciu minimalnej ilości tłuszczu lub oleju.
- ✿ Nie używaj ostrych lub metalowych akcesoriów kuchennych ani nie krój potraw bezpośrednio na płycie grillującej 3. Producent nie odpowiada za uszkodzenia powłoki spowodowane na skutek używania stych lub metalowych akcesoriów kuchennych.
- ✿ Zmiana koloru powierzchni płyty grillującej 3 nie ma wpływu na jej funkcjonalność.

RADY DOTYCZĄCE GRILLOWANIA MIĘSA

- ✿ Do grillowania należy używać świeżego mięsa. Z rozmrożonego mięsa wypływa sok i po grillowaniu będzie ono wysuszone.
- ✿ Nie grilluj zbyt dużych kawałków mięsa. Przed grillowaniem pokrój mięso na plastry o grubości 1 do 2 cm.
- ✿ Nie zalecamy grillowania mięsa z grubymi kośćmi, np. kotletów z kośćmi.
- ✿ Przed grillowaniem nie należy soli mięsa. W przeciwnym wypadku będzie ono wysuszone i twarde.
- ✿ Przed rozpoczęciem grillowania marynowanego mięsa należy z niego najpierw wytrzeć nadmiar marynaty. Niektóre marynaty zawierają duże ilości cukru, który podczas grillowania może się przypalać na płycie grillującej.
- ✿ Podczas grillowania nie nakłuwaj mięsa. W przeciwnym wypadku wypłynie z niego sok, a mięso będzie twarde i wysuszone.
- ✿ Nie wysuszaj mięsa przez zbyt długie grillowanie.
- ✿ Mięso kurczaka należy dokładnie upiec.
- ✿ Po zakończeniu grillowania dopraw mięso do smaku solą i przyprawami.

6. ZALECANY CZAS PRZYRZĄDZANIA MIĘSA

Gatunek mięsa	Zalecane ustawienia termostatu	Zalecany czas grillowania
Stek/wołowina	MAX	10–15 min
Polędwiczka wieprzowa	4–MAX	9–10 min
Jagnięcina	MAX	12–18 min
Udka kurczaka	MAX	25–30 min
Skrzydółka kurczaka	MAX	15–20 min
Ryby (całe)	MAX	12–15 min
Kebab	3–4	10–12 min
Kiełbasy	3–4	8–12 min

 **Uwaga:** Powyższe informacje mają charakter wyłącznie orientacyjny. Rzeczywisty czas grillowania jest uzależniony od rozmiaru i ciężaru potraw oraz od tego, czy grillowanie przebiega z zamkniętą czy otwartą pokrywą 1.

7. CZYSZCZENIE I KONSERWACJA

- ✿ Przed rozpoczęciem czyszczenia wyłącz grill poprzez ustawienie termostatu 14 na pozycję OFF (wyłączone). Wtyczkę kabla sieciowego wyjmij z gniazdka elektrycznego i odłącz wtyczkę jednostki termostatu 14 od grilla. Pozostaw grill do wystygnięcia.
- ✿ Wyczyść powierzchnię płyty grillującej 3 po każdym użyciu, aby zapobiec nawarstwianiu się przypieczonych resztek produktów. Do czyszczenia użyj zwilżonej, miękkiej ściereczki. Jeśli na powierzchni płyty 3 zostały przypalone resztki produktów, np. z marynowanego mięsa, skrop te miejsca roztworem wody i neutralnego płynu do mycia naczyń. Po zastosowaniu środka do mycia naczyń wytrzyj płytę 3 czystą zwilżoną ściereczką, a następnie wytrzyj ją do sucha.

 **Rada:** Czyszczenie płyty 3 będzie prostsze, jeśli będzie ona letnia.

- ✿ Usuń z tacki ociekowej 4 sok i tłuszcz. Następnie umyj ją ciepłą wodą z dodatkiem neutralnego płynu do mycia naczyń, a potem wypłucz ją czystą wodą, osusz i włóż z powrotem do podstawy grilla.
- ✿ Oczyszć pokrywę 1 ściereczką zwilżoną roztworem ciepłej wody i neutralnego środka do mycia naczyń. Następnie wytrzyj ją czystą zwilżoną ściereczką i wysusz.
- ✿ Do czyszczenia rękojęści 2 i stojaka użyj zwilżonej ściereczki. Następnie osusz wszystkie wymienione części.
- ✿ Wytrzyj jednostkę termostatu 14 suchą ściereczką.
- ✿ Nie używaj do czyszczenia druciaków, ściernych środków czyszczących, żrących środków chemicznych, benzyny, rozpuszczalników itp. Nie myj żadnej części grilla w zmywarce do naczyń. Nie zanurzaj grilla ani jego kabla sieciowego do wody ani innej cieczy.

PRZECHOWYWANIE

- ✿ Po wystygnięciu płyty 3 umieść grill i jego kabel zasilający w suchym, czystym miejscu z dala od dzieci.

8. DANE TECHNICZNE

Nominalny zakres napięcia	220–240 V
Częstotliwość nominalna	50/60 Hz
Moc znamionowa	1400–1600 W

Zmiany w tekście i parametrach technicznych zastrzeżone.

WYJAŚNIENIE TABLICZEK ZNAJDUJĄCYCH SIĘ NA URZĄDZENIU



Niniejszy produkt jest produkowany zgodnie z zatwierdzonymi normami.



Urządzenie to jest chronione przez podwójną izolację.

Należy zawsze sprawdzić, czy napięcie sieciowe odpowiada napięciu na tabliczce znamionowej.

IPX4

Stopień ochrony

9. UTYLIZACJA



To narzędzie, akumulator, wyposażenie i opakowania należy segregować w celu przeprowadzenia ich ekologicznego recyklingu.

Nie wyrzucaj narzędzi elektrycznych, baterii ani akumulatorów wraz ze zwykłym odpadem domowym!

Tylko dla państw Unii Europejskiej:



Zgodnie z Dyrektywą 2012/19/UE narzędzia elektryczne, które nie są już wykorzystywane, i zgodnie z dyrektywą europejską 2006/66/WE, uszkodzone lub zużyte zestawy baterii/akumulatorów należy gromadzić oddzielnie w sposób przyjazny dla środowiska.

WSKAZÓWKI I INFORMACJE DOTYCZĄCE UTYLIZACJI ZUŻYTYCH OPAKOWAŃ

Oddaj wszystkie materiały opakowaniowe w miejscu określonym przez urząd do likwidacji odpadu.

UTYLIZACJA ZUŻYTYCH URZĄDZEŃ ELEKTRYCZNYCH I ELEKTRONICZNYCH



Ten symbol umieszczony na produktach lub w dokumentacji przewodniej oznacza, że zużyte urządzenia elektryczne i elektroniczne nie mogą być wyrzucane wraz ze zwykłym odpadem domowym. Odwieź te produkty na wyznaczone miejsca zbiórki, gdzie zostanie przeprowadzona ich prawidłowa utylizacja, odzysk i recykling. W niektórych państwach Unii Europejskiej lub w niektórych państwach europejskich przy zakupie nowego produktu można zwrócić odpowiedni produkt lokalnemu sprzedawcy. Przez prawidłową utylizację tego produktu przyczyniasz się do ochrony cennych zasobów naturalnych i zapobiegasz ewentualnemu negatywnemu wpływowi odpadów na środowisko naturalne i zdrowie ludzkie, do którego mogłoby dojść w wyniku nieprawidłowej utylizacji odpadu. Więcej szczegółowych informacji udzielą lokalne urzędy lub najbliższy punkt zbiórki odpadów. W przypadku niewłaściwej utylizacji tego typu produktu może zostać nałożona kara zgodna z obowiązującymi przepisami narodowymi.

Dla firm działających w Unii Europejskiej

Jeśli chcesz zutylizować urządzenia elektryczne lub elektroniczne, zasięgnij informacji u swego sprzedawcy lub dostawcy. Utylizacja w krajach spoza Unii Europejskiej. Jeśli chcesz poddać ten produkt utylizacji, zwróć się do lokalnego urzędu lub sprzedawcy o niezbędne informacje o sposobie utylizacji.



Produkt spełnia wszystkie podstawowe wymogi wszystkich właściwych dyrektyw UE.

Tekst, design i dane techniczne mogą ulec zmianie bez uprzedzenia. Zastrzegamy sobie prawo do dokonania tych zmian.

Instrukcja obsługi w języku oryginalnym.



Model /Modell /Modelis:

**Záruční list / Záručný list /
Warranty Certificate / Jótállási jegy /
Garantijos taisyklės / Karta Gwarancyjna**

Výrobní číslo
Výrobné číslo
Serial No.
Szériaszám
Serijos Nr.
Numer seryjny

Razítko a podpis prodejce
Pečiatka a podpis predajcu
Dealer's stamp
A kereskedő bélyegzője
Pardavėjo antspaudas
Pieczętka i podpis sklepu

Datum prodeje
Dátum predaja
Date of purchase
A vásárlás dátuma
Pardavimo data
Data zakupu



Záruční podmínky

Prodávající poskytuje kupujícímu na výrobek záruku v trvání 24 měsíců od převzetí výrobku kupujícím. Záruka se poskytuje za dále uvedených podmínek. Záruka se vztahuje pouze na nové spotřební zboží prodané spotřebiteli pro běžné domácí použití. Práva z odpovědnosti za vady (reklamaci) může kupující uplatnit buď u prodávajícího, u kterého byl výrobek zakoupen nebo v níže uvedeném autorizovaném servise. Kupující je povinen reklamaci uplatnit bez zbytečného odkladu, aby nedocházelo ke zhoršení vady, nejpozději však do konce záruční doby. Kupující je povinen poskytnout při reklamaci součinnost nutnou pro ověření existence reklamované vady. Do reklamčního řízení se přijímá pouze kompletní a z důvodů dodržení hygienických předpisů neznečištěný výrobek. V případě oprávněné reklamace se záruční doba prodlužuje o dobu od okamžiku uplatnění reklamace do okamžiku převzetí opraveného výrobku kupujícím nebo okamžiku, kdy je kupující po skončení opravy povinen výrobek převzít. Kupující je povinen prokázat svá práva reklamovat (doklad o zakoupení výrobku, záruční list, doklad o uvedení výrobku do provozu...).

Záruka se nevztahuje zejména na:

- vady, na které byla poskytnuta sleva
- opotřebení a poškození vzniklé běžným užíváním výrobku
- poškození výrobku v důsledku neodborné či nesprávné instalace, použití výrobku v rozporu s návodem k použití, platnými právními předpisy a obecně známými a obvyklými způsoby používání, v důsledku použití výrobku k jinému účelu, než ke kterému je určen
- poškození výrobku v důsledku zanedbané nebo nesprávné údržby
- poškození výrobku způsobené jeho znečištěním, nehodou a zásahem vyšší moci (živelná událost, požár, vniknutí vody...)
- vady funkčnosti výrobku způsobené nevhodnou kvalitou signálu, rušivým elektromagnetickým polem apod.
- mechanické poškození výrobku (např. ulomení knoflíku, pád...)
- poškození způsobené použitím nevhodných médií, náplní, spotřebního materiálu (baterie) nebo nevhodnými provozními podmínkami (např. vysoké okolní teploty, vysoká vlhkost prostředí, otřesy...)
- poškození, úpravu nebo jiný zásah do výrobku provedený neoprávněnou nebo neautorizovanou osobou (servisem)
- případy, kdy kupující při reklamaci neprokáže oprávněnost svých práv (kdy a kde reklamovaný výrobek zakoupil)
- případy, kdy se údaje v předložených dokladech liší od údajů uvedených na výrobku
- případy, kdy reklamovaný výrobek nelze ztotožnit s výrobkem uvedeným v dokladech, kterými kupující prokazuje svá práva reklamovat (např. poškození výrobního čísla nebo záruční plombu přístroje, prepisované údaje v dokladech...)

Záručné podmienky

Predávajúci poskytuje kupujúcemu na výrobok 24 mesiacov záruku od jeho prevzatia kupujúcim. Záruka sa poskytuje ďalej za nižšie uvedených podmienok. Záruka sa vzťahuje iba na spotrebný tovar predaný spotrebiteľovi na bežné domáce použitie. Práva zo zodpovednosti za chyby (reklamácie) môže kupujúci uplatniť buď u predávajúceho, u ktorého bol výrobok zakúpený alebo v nižšie uvedenom autorizovanom servise. Kupujúci je povinný reklamáciu uplatniť bez zbytočného odkladu, aby nedochádzalo ku zhoršeniu chyby, najneskôr však do konca záručnej doby. Kupujúci je povinný pri reklamáci spolupracovať pri overení existencie reklamovanej chyby. Do reklamného procesu sa prijíma iba kompletný a z dôvodu dodržania hygienických predpisov neznečištěný výrobok. V prípade oprávnenej reklamácie sa záručná doba predlžuje o dobu od okamžiku uplatnenia reklamácie do okamžiku prevzatia opraveného výrobku kupujúcim, kedy je kupujúci po skončení opravy povinný výrobok prevziať. Kupujúci je povinný preukázať svoje práva reklamovať (doklad o zakúpení výrobku, záručný list, doklad o uvedení výrobku do prevádzky...).

Záruka sa nevzťahuje na:

- chyby, na ktoré boli poskytnuté zľavy
- opotrebenia a poškodenia vzniknuté bežným užívaním výrobku
- poškodenie výrobku v dôsledku neodbornej či nesprávnej inštalácie, použitia výrobku v rozpore s návodom na použitie s platnými právnymi predpismi a všeobecne známymi a obvyklými spôsobmi používania, v dôsledku použitia výrobku za iným účelom, než na ktorý je určený
- poškodenie výrobku v dôsledku zanedbanej alebo nesprávnej údržby
- poškodenie výrobku spôsobené jeho znečistením, nehodou a zásahom vyššej moci (živelná udalosť, požiar, vniknutie vody...)
- chyby funkčnosti výrobku spôsobené nevhodnou kvalitou signálu, rušivým elektromagnetickým polom a pod.
- mechanické poškodenie výrobku (napr. zlomenie gombíka, pád...)
- poškodenie spôsobené použitím nevhodných médií, náplní, spotrebného materiálu (batérie) alebo nevhodnými prevádzkovými podmienkami (napr. vysoké teploty v okolí, vysoká vlhkosť prostredia, otřasy...)
- poškodenie, úpravu alebo iný zásah do výrobku spôsobený neoprávnenou alebo neautorizovanou osobou (servisom)
- prípady, keď kupujúci pri reklamáci nepreukáže oprávnenosť svojich práv (kedy a kde reklamovaný výrobok zakúpil)
- prípady, keď sa údaje v predložených dokladoch líšia od údajov uvedených na výrobku
- prípady, keď reklamovaný výrobok sa neshoduje s výrobkom uvedeným v dokladoch, ktorými kupujúci preukazuje svoje práva reklamovať (napr. poškodenie výrobného čísla alebo záručnej plomby prístroja, prepisované údaje v dokladoch...)

Conditions of guarantee

This product is warranted for the period of 24 months from the date of purchase to the end-user. Warranty is limited to the following conditions. Warranty is referred only to the customer goods using for common domestic use. The claim for service can be applied either at dealer's shop where the product was bought, or at below mentioned authorized service shops. The end-user is obligated to set up a claim immediately when the defects appeared but only till the end of warranty period. The end-user is obligated to cooperate to certify the claiming defects. Only completed and clean (according to hygienic standards) product will be accepted. In case of eligible warranty claim the warranty period will be prolonged by the period from the date of claim application till the date of taking over the product by end-user, or the date the end-user is obligated to take it over. To obtain the service under this warranty, end-user is obligated to certify his claim with duly completed following documents: receipt, certificate of warranty, certificate of installation...

This warranty is void especially if apply as follows:

- Defects which were put on sale.
- Wear-out or damage caused by common use.
- The product was damaged by unprofessional or wrong installation, used in contrary to the applicable instruction manual, used in contrary to legal enactment and common process of use or used for another purpose which has been designed for.
- The product was damaged by uncared-for or insufficient maintenance.
- The product was damaged by dirt, accident of force majeure (natural disaster, fire, flood, ...).
- Defects on functionality caused by low quality of signal, electromagnetic field interference etc.
- The product was mechanically damaged (e.g. broken button, fall...).
- Damage caused by use of unsuitable media, fillings, expendable supplies (batteries) or by unsuitable working conditions (e.g. high temperatures, high humidity, quakes, ...).
- Repair, modification or other failure action to the product by unauthorized person.
- End-user did not prove enough his right to claim (time and place of purchase).
- Data on presented documents differs from data on products.
- Cases when the claiming product can not be identified according to the presented documents (e.g. the serial number or the warranty seal has been damaged).

Autorizovaná servisní střediska / Autorizované servisné strediská / Authorized service centres

FAST ČR, a. s.
Černokostelecká 1621
CZ 251 01 Říčany
Česká republika
Tel.: +420/ 323 204 120
Fax: +420/ 323 204 121
servis.praha@fastcr.cz
www.fastcr.cz

FAST ČR, a. s.
Cejl 31
CZ 602 00 Brno
Česká republika
Tel.: +420/ 531 010 295
Fax: +420/ 531 010 296
servis.brno@fastcr.cz
www.fastcr.cz

Fast Plus, spol. s r. o.
Na Pántoch 18
SK 831 06 Bratislava
Slovenská republika
Tel.: +421/ 249 105 811
Fax: +421/ 249 105 810
fastplus@fastplus.sk
www.fastplus.sk



Jótállási jegy

A termék gyártója: **FAST ČR, a.s.** (Černokostelec 1621, Říčany u Prahy 251 01, Csehország)

A **FAST Hungary Kft.** (2310, Szigetszentmiklós, Kántor u. 10) mint a termék magyarországi importőre a jótállási jegyen feltüntetett típusú és gyártási számú készülékre jótállást biztosít a fogyasztók számára az alábbi feltételek szerint:

A FAST Hungary Kft. a termékre a fogyasztó részére történő átadástól (vásárlástól), illetve ha az üzembe helyezést a terméket értékesítő vállalkozás vagy annak megbízottja végzi, az üzembe helyezéstől számított **24 hónapig** tartó időtartamra vállal jótállást. A termék **alkotórészeire és tartozékaira** (pl. akkumulátor) a jótállási idő a termék átadásától számított **12 hónap**.

A jótállási igény a jótállási jeggyel, a vásárlástól (üzembe helyezéstől) számított 1 évig a terméket értékesítő vállalkozásnál, illetve a jótállási jegyen feltüntetett hivatalos szerviznél közvetlenül is, míg a 13. hónaptól a 24. hónapig kizárólag a hivatalos szerviznél érvényesíthető.

Jótállási jegy hiányában a fogyasztói szerződés megkötését bizonyítottak kell tekinteni, ha a fogyasztó bemutatja a termék ellenértékének megfizetését hitelt érdemlően igazoló bizonylatot. Mindezek érdekében kérjük tisztelt Vásárlóinkat, hogy őrizzék meg a fizetési bizonylatot is. A jótállási időn belüli meghibásodás esetén a fogyasztó - választása szerint - (i) a hibás termék díjmentes kijavítását vagy kicserélését követelheti, kivéve, ha a választott igény teljesítése lehetetlen, vagy ha az a jótállásra kötelezettnek a fogyasztó által érvényesíteni kívánt másik igény teljesítésével összehasonlítva aránytalan többletköltséget eredményezne, vagy (ii) ha a kötelezett a kijavítást, illetve kicserélést nem vállalata, vagy e kötelezettségének megfelelő határidőn belül, a fogyasztó érdekeit kímélve nem tud eleget tenni, vagy ha a fogyasztónak a kijavításhoz vagy kicseréléshöz fűződő érdeke megszűnt, akkor a fogyasztó megfelelő árszámítást igényelhet, vagy a hibát a kötelezett költségére maga kijavíthatja vagy másvalóval kijavíthatja vagy elállhat a szerződéstől. Jelentélen hiba miatt elállásnak nincs helye. A fogyasztó a választott jogáról másira térhet át. Az áttéréssel okozott költséget köteles a jótállásra kötelezettnek megfizetni, kivéve, ha az áttérésre a jótállásra kötelezett adott okot, vagy az áttérés egyébként indokolt volt. A fogyasztó a hiba felfedezését követően késedelem nélkül, legkésőbb a felfedezéstől számított 2 hónapon belül köteles a hibát közölni. A bejelentés kapcsán kérjük vegye figyelembe, hogy a jótállási igény kizárólag a jótállási

határidőben érvényesíthető! Ugyanakkor, ha a jótállásra kötelezett jótállási kötelezettségének megfelelő határidőben nem tesz eleget, a jótállási igény a fogyasztó erre irányuló felhívásában tűzött megfelelő határidő eltelte után számított 3 hónapon belül akkor is érvényesíthető bíróság előtt, ha a jótállási idő már eltelt. E határidő elmulasztása jogvesztéssel jár. A jótállási kötelezettség teljesítésével kapcsolatosan felmerülő költségek a jótállás kötelezettjét terhelik.

A 151/2003. (IX.22.) Kormányrendeletben meghatározott tartós fogyasztási cikk meghibásodása miatt a vásárlástól (üzembe helyezéstől) számított három munkanapon belül érvényesített csereigény esetén a terméket értékesítő vállalkozás nem hivatkozhat aránytalan többletköltségre, hanem köteles a tartós fogyasztási cikket kicserélni, feltéve, hogy a meghibásodás a rendeltetészerű használatot akadályozza. Kijavítás esetén a fogyasztási cikkből csak új alkatrészt kerülhet beépítésre. A jótállásra kötelezett törekszik arra, hogy a kijavítás vagy kicserélés 15 napon belül megtörténjen. A rögzített bekötésű, illetve a 10kg-nál súlyosabb, vagy tömegközlekedési eszközön kézi csomagként nem szállítható fogyasztási cikket az üzemeltetés helyén kell megjavítani. Ha a javítás az üzemeltetés helyén nem végezhető el, a le- és felszerelésről, valamint az el- és visszaszállításról a jótállás kötelezettje, vagy – a javítószolgáltatónál közvetlenül érvényesített kijavítási igény esetén – a javítószolgálat gondoskodik.

Nem számít bele a jótállási időbe a kijavítási időnek az a része, amely alatt a fogyasztó a terméket nem tudja rendeltetészerűen használni. A jótállási idő a terméknek a kicseréléssel vagy kijavítással érintett részére, valamint a kijavítás következményeként jelentkező hiba tekintetében újból kezdődik.

Nem tartozik jótállás alá a hiba és a jótállásra kötelezett mentesül a jótállási kötelezettség alól, ha bizonyítja, hogy a hiba oka a termék fogyasztó részére való átadását követően keletkezett, így például ha a hibát ■ nem rendeltetészerű használat, használati útmutató figyelmen kívül hagyása, helytelen szállítás vagy tárolás, leejtés, rongálás, elemi kár, készüléken kívülről ok (pl. hálózati feszültség megengedettnél nagyobb ingadozása) ■ illetéktelen átalakítás, beavatkozás, nem hivatalos szerviz által végzett szakszerűtlen javítás ■ fogyasztó feladatát képező karbantartási munkák elmulasztása ■ normál, természetes elhasználódásra visszavezethető (pl. elem lemerülése) vagy üzemszerű kopásnak tulajdonítható meghibásodás okozta. A jótállás a fogyasztó jogszabályból eredő jogait, így különösen a Polgári Törvénykönyv szerinti kellékszavatossági illetve termékszavatossági jogait nem érinti.

Tájékoztatjuk, hogy az értékesítő vállalkozással felmerülő, fogyasztóvédelmi törvényben meghatározott fogyasztói jogvita bíróságon kívüli rendezése érdekében Ön a megyei (fővárosi) kereskedelmi és iparkamarák mellett működő békéltető testület eljárását is kezdeményezheti.

Hivatalos szerviz / Autoryzowana sieć serwisowa

revision 06/2017

Fast Hungary Kft.
2310, Szigetszentmiklós
Kántor u. 10
Hungary
Tel.: + 36/ 23 330 830
Fax: + 36/ 23 330 8274
fasthungary@fasthungary.hu
www.fasthungary.hu

Garantijos taisyklės

Šiam gaminiui suteikiama 24 mėnesių nuo įsigijimo datos garantija. Garantija apsiriboja žemiau pateikiamomis sąlygomis. Garantija skirta tik gaminiams, skirtiems buitiniam naudojimui. Dėl garantinio remonto pirkejas gali kreiptis į pardavėjo parduotuvę, kurioje gaminį pirkė, arba į nurodytus įgaliotus techninės priežiūros centrus. Galutinis naudotojas įsipareigoja pateikti pretenziją nedelsiant po defekto atsiradimo, tačiau tik iki garantijos galiojimo periodo pabaigos. Galutinis naudotojas įsipareigoja bendradarbiauti patvirtinant gaminio defektus, dėl kurių pateikia pretenziją. Priimtas bus tik pilnai sukomplektuotas ir švarus (pagal higienos standartus) gaminys. Jei pretenzija dėl garantinio remonto bus pagrįsta, gaminio garantijos galiojimo periodas bus prailgintas atitinkamai periodu nuo pretenzijos pateikimo datos iki galutinis naudotojas pasisūtaisyta gaminį arba iki datos, kada galutinis naudotojas turėtų pasiimti sutaisyta gaminį. Norėdamas gauti garantinio remonto paslaugas, galutinis naudotojas turi patvirtinti pretenziją pilnai užpildytais sekančiais dokumentais: pirkimo kvitu, garantiniu talonu, instaliavimo sertifikatu. . .

Garantija netaikoma: ■ Nukainotoms (brokuotoms) prekėms. ■ Įprastinai susidėvintiems gaminiams dalims ■ Gedimams, atsiradusiems neprofesionaliai ar neteisingai gaminį instaliavus, nesilaikant gaminio naudojimo instrukcijų, naudojant gaminį ne pagal įstatymų numatytus standartus ar įprastinius tokio tipo gaminių naudojimo procesus, naudojant gaminį kitai paskirčiai nei numatyta. ■ Gedimams, atsiradusiems dėl netinkamos ar nepakankamos gaminių priežiūros. ■ Gedimams, atsiradusiems dėl purvo, nenugalimos jėgos aplinkybių (stichinių nelaimių, gaisro, potvynio, . . .). ■ Gedimams, atsiradusiems dėl prastos kokybės signalo, elektromagnetinio lauko trikdžių ir kt. ■ Rados mechaninių pažeidimų (pvz. sulaužyti mygtukai, kritimo požymiai. . .). ■ Gedimams, atsiradusiems naudojant gaminį su netinkamomis laikmenomis, jungiant prie netinkamų tinklų, dedant į gaminį netinkamus maitinimo šaltinius (baterijas) ar dėl bet kokių kitų netinkamų naudojimo sąlygų (pvz. aukštos temperatūros, didelės drėgmės, žemės drebjimų. . .). ■ Nustačius, kad gaminys taisytas, modifikuotas ar ardytas neįgaliotų tai daryti asmenų. ■ Jei galutinis naudotojas neturi visų reikalingų dokumentų, įrodančių jo teisę į garantinį remontą (pvz. dokumento, kur būtų nurodytas gaminio įsigijimo laikas ir vieta). ■ Jei data pateiktuose dokumentuose skiriasi nuo datos ant gaminio.

Warunki gwarancji

Produkt objęty jest 24 – miesięczną gwarancją, począwszy od daty zakupu przez klienta. Gwarancja jest ograniczona tylko do przedstawionych dalej warunków. Gwarancja obejmuje tylko produkty zakupione w Polsce i jest ważna tylko na terytorium Rzeczpospolitej Polskiej. Gwarancja obejmuje tylko produkty funkcjonujące w warunkach gospodarstwa domowego (nie dotyczy produktów oznaczonych jako „Profesjonal”). Zgłoszenia gwarancyjne można dokonać w autoryzowanej sieci serwisowej lub w sklepie, gdzie produkt został nabyty. Użytkownik jest zobowiązany zgłosić usterkę niezwłocznie po jej wykryciu, a najpóźniej w ostatnim dniu obowiązywania okresu gwarancyjnego. Użytkownik jest zobowiązany do przedstawienia i udokumentowania usterki. Tylko kompletne i czyste produkty (zgodnie ze standardami higienicznymi) będą przyjmowane do naprawy. Usterki będą usuwane przez autoryzowany punkt serwisowy w możliwie krótkim terminie, nieprzekraczającym 14 dni roboczych. Okres gwarancji przedłuża się o czas pobytu sprzętu w serwisie. Klient może ubiegać się o wymianę sprzętu na wolny od wad, jeżeli punkt serwisowy stwierdzi na piśmie, że usunięcie wady jest niemożliwe. Aby produkt mógł być przyjęty przez serwis, użytkownik jest zobowiązany dostarczyć oryginały: dowodu zakupu (paragon lub faktura), pobditej i wypełnionej karty gwarancyjnej, certyfikatu instalacji (niektóre produkty).

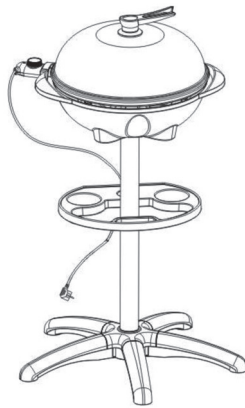
Gwarancja zostaje unieważniona, jeśli:

■ usterka była widoczna w chwili zakupu, ■ usterka wynika ze zwykłego użytkowania i zużycia, ■ produkt został uszkodzony z powodu złej instalacji, niezastosowania się do instrukcji obsługi lub użytkowania niezgodnego z przeznaczeniem, ■ produkt został uszkodzony z powodu złej konserwacji lub jej braku, ■ produkt został uszkodzony z powodu zanieczyszczenia, wypadku lub okoliczności o charakterze sił wyższych (powódź, pożar, wojny, zamieszki itp.), ■ produkt wykazuje złe działanie z powodu słabego sygnału, zakłóceń elektromagnetycznych itp., ■ produkt został uszkodzony mechanicznie (np. wylamany przycisk, upadek, itp.), ■ produkt został uszkodzony z powodu użycia niewłaściwych materiałów eksploatacyjnych, nośników, akcesoriów, baterii, akumulatorów itp. lub z powodu użytkowania w złych warunkach (temperatura, wilgotność, wstrząsy itp.), ■ produkt był naprawiany lub modyfikowany przez nieautoryzowany personel, ■ użytkownik nie jest w stanie udowodnić zakupu (nieczytelny paragon lub faktura), ■ dane na przedstawionych dokumentach są inne niż na urządzeniu, ■ produkt nie może być zidentyfikowany ze względu na uszkodzenie numeru seryjnego lub plomby gwarancyjnej.

Uab „Senukai Prekybos Centras“ Garantinis Servisas
Jonavos G. 62, Lt-44192,
Kaunas, Lithuania
Tel.: +370 37 212 146
Tex.: +370 37 212 165
garrem@senukai.lt
www.senukai.lt

Fast Poland, Sp. z o.o.
Sokołowska 10
PL 05-090 Puchały
Poland
Tel.: +48 500 116 777
Fax: +48 22 869 96 13
fastpoland@fastpoland.pl
www.fastpoland.pl





 **FIELDMANN**[®]
Home & Garden Performance