


Instructions for use

Washer-dryer

 This symbol reminds you to read this instruction manual.

GB

GB

English,1

DE

Deutsch,13

PT

Português,25

CZ

Česky,37

SK

Slovensky,49

RO

Română,61

XWDA 751480

Contents

Installation, 2-3

Unpacking and levelling
Connecting the electricity and water supplies
The first wash cycle
Technical data

Care and maintenance, 4

Cutting off the water or electricity supply
Cleaning the Washer-dryer
Cleaning the detergent dispenser drawer
Caring for the door and drum of your appliance
Cleaning the pump
Checking the water inlet hose

Precautions and tips, 5

General safety
Load balancing system
Disposal

Description of the Washer-dryer and starting a wash cycle, 6-7

Control panel
Indicator lights
Starting a wash cycle

Wash cycles, 8

Push&Wash+Dry
Table of wash cycles

Personalisation, 9

Setting the temperature
Setting the drying cycle
Wash options

Detergents and laundry, 10

Detergent dispenser drawer
Bleach cycle
Preparing the laundry
Garments requiring special care

Troubleshooting, 11

Service, 12

 **INDESIT**

Installation

GB

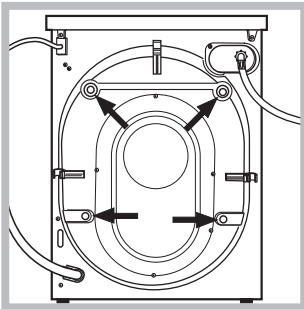
! This instruction manual should be kept in a safe place for future reference. If the Washer-dryer is sold, transferred or moved, make sure that the instruction manual remains with the machine so that the new owner is able to familiarise himself/herself with its operation and features.

! Read these instructions carefully: they contain vital information relating to the safe installation and operation of the appliance.

Unpacking and levelling

Unpacking

1. Remove the Washer-dryer from its packaging.
2. Make sure that the Washer-dryer has not been damaged during the transportation process. If it has been damaged, contact the retailer and do not proceed any further with the installation process.



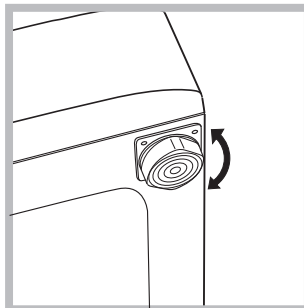
3. Remove the 4 protective screws (used during transportation) and the rubber washer with the corresponding spacer, located on the rear part of the appliance (see figure).

4. Close off the holes using the plastic plugs provided.
5. Keep all the parts in a safe place: you will need them again if the Washer-dryer needs to be moved to another location.

! Packaging materials should not be used as toys for children.

Levelling

1. Install the Washer-dryer on a flat sturdy floor, without resting it up against walls, furniture cabinets or anything else.

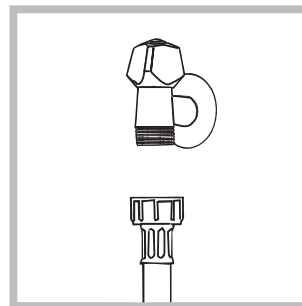


2. If the floor is not perfectly level, compensate for any unevenness by tightening or loosening the adjustable front feet (see figure); the angle of inclination, measured in relation to the worktop, must not exceed 2°.

Levelling the machine correctly will provide it with stability, help to avoid vibrations and excessive noise and prevent it from shifting while it is operating. If it is placed on carpet or a rug, adjust the feet in such a way as to allow a sufficient ventilation space underneath the Washer-dryer.

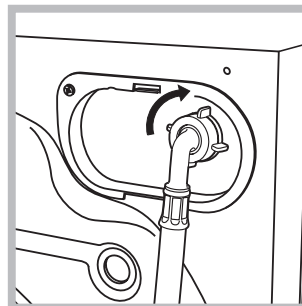
Connecting the electricity and water supplies

Connecting the water inlet hose



1. Connect the inlet hose by screwing it to a cold water tap using a 3/4 gas threaded connection (see figure).

Before performing the connection, allow the water to run freely until it is perfectly clear.



2. Connect the inlet hose to the Washer-dryer by screwing it onto the corresponding water inlet of the appliance, which is situated on the top right-hand side of the rear part of the appliance (see figure).

3. Make sure that the hose is not folded over or bent.

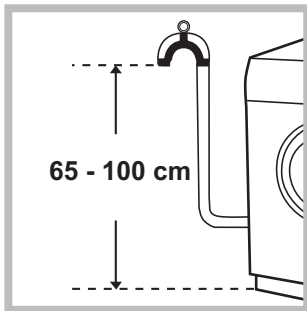
! The water pressure at the tap must fall within the range of values indicated in the Technical data table (see next page).

! If the inlet hose is not long enough, contact a specialised shop or an authorised technician.

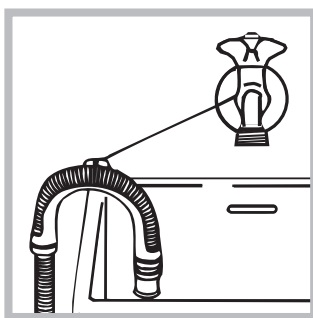
! Never use second-hand hoses.

! Use the ones supplied with the machine.

Connecting the drain hose



Connect the drain hose, without bending it, to a drain duct or a wall drain situated between 65 and 100 cm from the floor;



alternatively, placed it over the edge of a basin, sink or tub, fastening the duct supplied to the tap (see *figure*). The free end of the hose should not be underwater.

! We advise against the use of hose extensions; if it is absolutely necessary, the extension must have the same diameter as the original hose and must not exceed 150 cm in length.

Electrical connections

Before plugging the appliance into the electricity socket, make sure that:

- the socket is earthed and complies with all applicable laws;
- the socket is able to withstand the maximum power load of the appliance as indicated in the Technical data table (see *opposite*);
- the power supply voltage falls within the values indicated in the Technical data table (see *opposite*);
- the socket is compatible with the plug of the Washer-dryer. If this is not the case, replace the socket or the plug.

! The Washer-dryer must not be installed outdoors, even in covered areas. It is extremely dangerous to leave the appliance exposed to rain, storms and other weather conditions.

! When the Washer-dryer has been installed, the electricity socket must remain within easy reach.

! Do not use extension cords or multiple sockets.

! The cable should not be bent or compressed.

! The power supply cable must only be replaced by authorised technicians.

Warning! The company shall not be held responsible in the event that these standards are not observed.

The first wash cycle

Once the appliance has been installed, and before you use it for the first time, run a wash cycle with detergent and no laundry, using the wash cycle “Auto Clean” (see “Cleaning the Washer-dryer”).

Technical data

Model	XWDA 751480
Dimensions	width 59.5 cm height 85 cm depth 54 cm
Capacity	from 1 to 7 kg for wash programme from 1 to 5 kg for the drying programme
Electrical connections	please refer to the technical data plate fixed to the machine
Water connections	maximum pressure 1 MPa (10 bar) minimum pressure 0.05 MPa (0.5 bar) drum capacity 52 litres
Spin speed	up to 1400 rotations per minute
Energy rated programmes according to regulation EN 50229	wash: programme 8; temperature 60°C; using a load of 7 kg. drying: the smaller load (2kg) must be dried by selecting the “☁” dryness level. The load must consist of 2 sheets, 1 pillowcase and 2 hand towels; the remainder of the load must be dried by selecting the “☁☁” dryness level.



This appliance conforms to the following EC Directives:

- 2004/108/EC (Electromagnetic Compatibility)
- 2006/95/EC (Low Voltage)
- 2012/19/EU

Care and maintenance

GB

Cutting off the water and electricity supplies

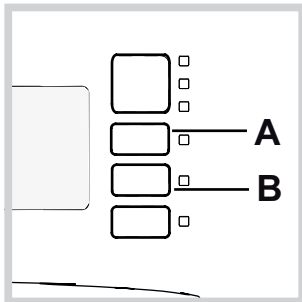
- Turn off the water tap after every wash cycle. This will limit wear on the hydraulic system inside the Washer-dryer and help to prevent leaks.
- Unplug the Washer-dryer when cleaning it and during all maintenance work.

Cleaning the Washer-dryer

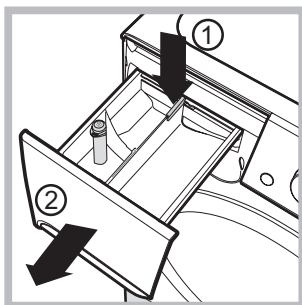
- The outer parts and rubber components of the appliance can be cleaned using a soft cloth soaked in lukewarm soapy water. Do not use solvents or abrasives.
- The Washer-dryer has a “Auto Clean” programme for its internal parts that **must be run with no load in the drum**.

For maximum performance you may want to use either the detergent (i.e. a quantity 10% the quantity specified for lightly-soiled garments) or special additives to clean the Washer-dryer. We recommend running a cleaning programme every 40 wash cycles.

To start the programme press buttons **A** and **B** simultaneously for 5 seconds (see figure). The programme will start automatically and will last approximately 70 minutes. To stop the cycle press the START/PAUSE button.



Cleaning the detergent dispenser drawer



To remove the drawer, press lever (1) and pull the drawer outwards (2) (see figure). Wash it under running water; this procedure should be repeated frequently.

Caring for the door and drum of your appliance

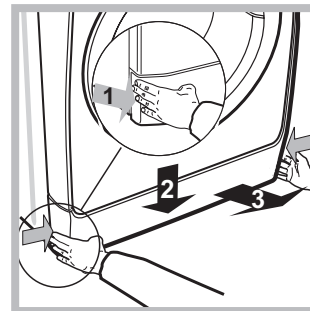
- Always leave the porthole door ajar in order to prevent unpleasant odours from forming.

Cleaning the pump

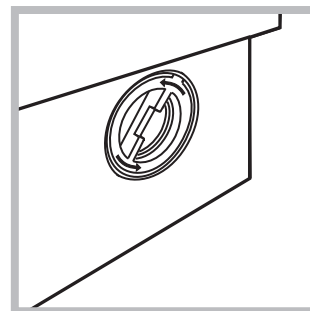
The Washer-dryer is fitted with a self-cleaning pump which does not require any maintenance. Sometimes, small items (such as coins or buttons) may fall into the protective pre-chamber at the base of the pump.

! Make sure the wash cycle has finished and unplug the appliance.

To access the pre-chamber:



1. Take off the cover panel on the front of the machine by first pressing it in the centre and then pushing downwards on both sides until you can remove it (see figures).



2. Unscrew the lid by rotating it anti-clockwise (see figure); a little water may trickle out. This is perfectly normal.

3. Clean the inside thoroughly.
4. Screw the lid back on.
5. Reposition the panel, making sure the hooks are securely in place before you push it onto the appliance.

Checking the water inlet hose

Check the inlet hose at least once a year. If there are any cracks, it should be replaced immediately: during the wash cycles, water pressure is very strong and a cracked hose could easily split open.

! Never use second-hand hoses.

! This washer-dryer was designed and constructed in accordance with international safety regulations. The following information is provided for safety reasons and must therefore be read carefully.

General safety

- This appliance was designed for domestic use only.
- This appliance is not intended for use by persons (including children) with reduced physical, sensory or mental capabilities, or lack of experience and knowledge, unless they have been given supervision or instruction concerning use of the appliance by a person responsible for their safety. Children should be supervised to ensure that they do not play with the appliance.
 - Do not dry unwashed items in the tumble dryer.
 - Items that have been soiled with substances such as cooking oil, acetone, alcohol, petrol, kerosene, spot removers, turpentine, waxes and wax removers should be washed in hot water with an extra amount of detergent before being dried in the tumble dryer.
 - Items such as foam rubber (latex foam), shower caps, waterproof textiles, rubber backed articles and clothes or pillows fitted with foam rubber pads should not be dried in the tumble dryer.
 - Fabric softeners, or similar products, should be used as specified by the fabric softener instructions.
 - The final part of a tumble dryer cycle occurs without heat (cool down cycle) to ensure that the items are left at a temperature that ensures that the items will not be damaged.
- **WARNING:** Never stop a tumble dryer before the end of the drying cycle unless all items are quickly removed and spread out so that the heat is dissipated.
- Do not touch the machine when barefoot or with wet or damp hands or feet.
- Do not pull on the power supply cable when unplugging the appliance from the electricity socket. Hold the plug and pull.
- Do not open the detergent dispenser drawer while the machine is in operation.
- Do not touch the drained water as it may reach extremely high temperatures.
- Never force the porthole door. This could damage the safety lock mechanism designed to prevent accidental opening.
- If the appliance breaks down, do not under any circumstances access the internal mechanisms in an attempt to repair it yourself.
- Always keep children well away from the appliance while it is operating.
- The door can become quite hot during the wash cycle.
- If the appliance has to be moved, work in a group of two or three people and handle it with the utmost care. Never try to do this alone, because the appliance is very heavy.

- Before loading laundry into the washer-dryer, make sure the drum is empty.
- During the drying phase, the door tends to get quite hot.
- Do not use the appliance to dry clothes that have been washed with flammable solvents (e.g. trichlorethylene).
- Do not use the appliance to dry foam rubber or similar elastomers.
- Make sure that the water tap is turned on during the drying cycles.

Load balancing system

Before every spin cycle, to avoid excessive vibrations and to distribute the load in a uniform manner, the drum rotates continuously at a speed which is slightly greater than the washing rotation speed. If, after several attempts, the load is not balanced correctly, the machine spins at a reduced spin speed. If the load is excessively unbalanced, the Washer-dryer performs the distribution process instead of spinning. To encourage improved load distribution and balance, we recommend small and large garments are mixed in the load.

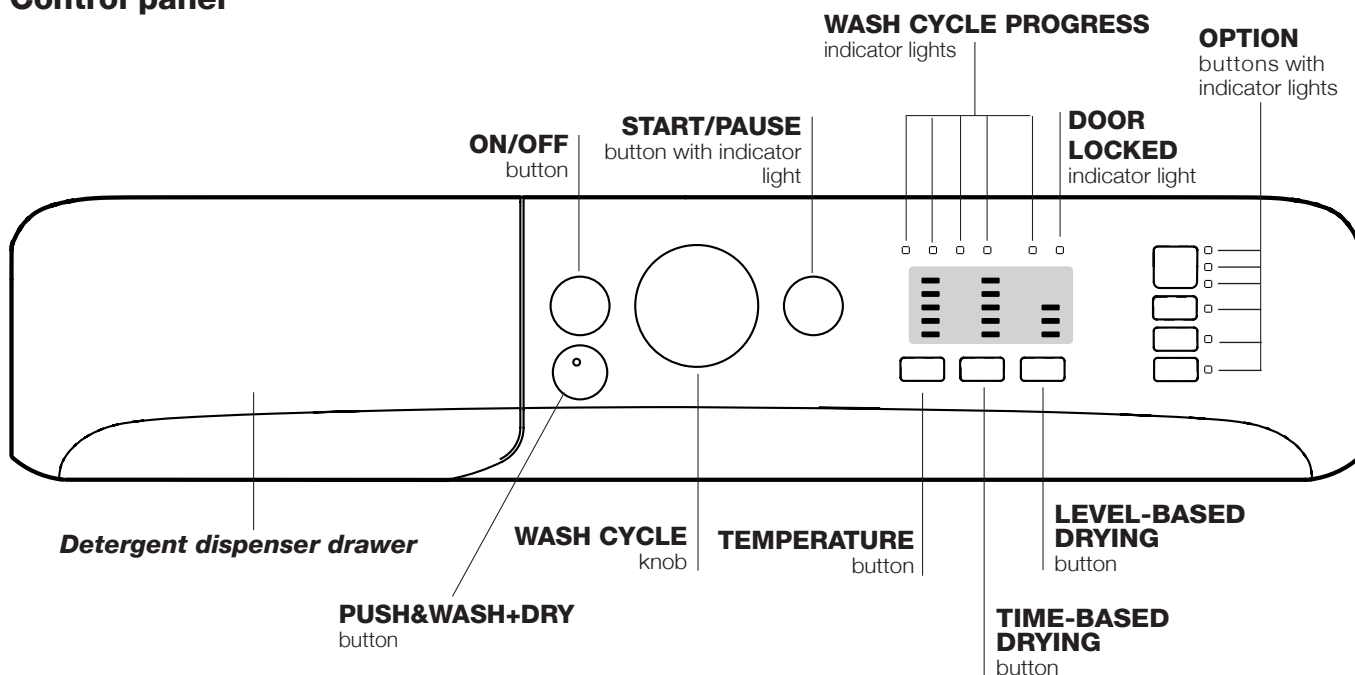
Disposal

- Disposing of the packaging materials: observe local regulations so that the packaging may be re-used.
- The European Directive 2012/19/EU on Waste Electrical and Electronic Equipment, requires that old household electrical appliances must not be disposed of in the normal unsorted municipal waste stream. Old appliances must be collected separately in order to optimise the recovery and recycling of the materials they contain and reduce the impact on human health and the environment. The crossed out “wheeled bin” symbol on the product reminds you of your obligation, that when you dispose of the appliance it must be separately collected.

Consumers should contact their local authority or retailer for information concerning the correct disposal of their old appliance.

Description of the Washer-dryer and starting a wash cycle

Control panel



Detergent dispenser drawer: used to dispense detergents and washing additives (see “Detergents and laundry”).

ON/OFF button: switches the Washer-dryer on and off.

PUSH&WASH+DRY button: (see “Wash cycles”).

WASH CYCLE knob: programmes the wash cycles. During the wash cycle, the knob does not move.

OPTION buttons with indicator light: used to select the available functions. The indicator light corresponding to the selected function will remain lit.

TEMPERATURE button: sets the temperature or the cold wash cycle (see “Personalisation”).


TIME-BASED DRYING button: press to select the desired drying time. The selected drying time is shown by the indicator lights above.

LEVEL-BASED DRYING button: press to select the desired drying level. The selected drying level is shown by the indicator lights above.

WASH CYCLE PROGRESS indicator lights: used to monitor the progress of the wash cycle. The illuminated indicator light shows which phase is in progress.

DOOR LOCKED indicator light: indicates whether the door may be opened or not (see next page).

START/PAUSE button with indicator light: starts or temporarily interrupts the wash cycles.

N.B. To pause the wash cycle in progress, press this button; the corresponding indicator light will flash orange, while the indicator light for the current wash cycle phase will remain lit in a fixed manner. If the DOOR LOCKED  indicator light is switched off, the door may be opened (wait approximately 3 minutes).

To start the wash cycle from the point at which it was interrupted, press this button again.

Standby mode

This Washer-dryer, in compliance with new energy saving regulations, is fitted with an automatic standby system which is enabled after about 30 minutes if no activity is detected. Press the ON-OFF button briefly and wait for the machine to start up again.

Consumption in off-mode: 0,5 W





Consumption in Left-on: 8 W

Indicator lights

The indicator lights provide important information. This is what they can tell you:

Wash cycle phase indicator lights

Once the desired wash cycle has been selected and has begun, the indicator lights switch on one by one to indicate which phase of the cycle is currently in progress.

Wash	
Rinse	
Spin/Drain	
Drying	
End of wash cycle	END

Function buttons and corresponding indicator lights

When a function is selected, the corresponding indicator light will illuminate.

If the selected function is not compatible with the programmed wash cycle, the corresponding indicator light will flash and the function will not be activated.

If the selected option is not compatible with another previously selected option, the indicator light will flash accompanied by a buzzer (3 beeps), and only the latter option will be activated; the indicator light corresponding to the activated option will turn on.

Door locked indicator light

When the indicator light is on, the porthole door is locked to prevent it from being opened; make sure the indicator light is off before opening the door (wait approximately 3 minutes).

To open the door during a running wash cycle, press the START/PAUSE button; the door may be opened once the DOOR LOCKED indicator light turns off.


Starting a wash cycle

Rapid programming

- LOAD THE LAUNDRY.** Open the porthole door. Load the laundry, making sure you do not exceed the maximum load value indicated in the table of programmes and wash cycles on the following page.
- ADD THE DETERGENT.** Pull out the detergent dispenser drawer and pour the detergent into the relevant compartments as described in *"Detergents and laundry"*.
- CLOSE THE DOOR.**
- Press the "Push&Wash+Dry" button to start the programme.

Traditional programming


- Turn the Washer-dryer on by pressing the ON/OFF button. All the indicator lights will turn on for a few seconds, then only the indicator lights relative to the selected programme settings will remain lit and the START/PAUSE indicator light will flash.

- Load the laundry and close the door.
- Set the WASH CYCLE knob to the desired programme.
- Set the washing temperature (see *"Personalisation"*).
- Set the drying cycle if necessary (see *"Personalisation"*).
- Measure out the detergent and washing additives (see *"Detergents and laundry"*).
- Select the desired functions.
- Start the wash cycle by pressing the START/PAUSE button and the corresponding indicator light will remain lit in a fixed manner in green. To cancel the set wash cycle, pause the machine by pressing the START/PAUSE button and select a new cycle.
- At the end of the wash cycle the **END** indicator light will switch on. The door can be opened once the DOOR LOCK  indicator light turns off (wait approximately 3 minutes). Take out your laundry and leave the appliance door ajar to make sure the drum dries completely. Switch the Washer-dryer off by pressing the ON/OFF button.

Wash cycles

GB

Push&Wash+Dry

This function makes it possible to start an automatic wash and drying cycle either when the machine is off without having to press the ON/OFF button in advance, or after switching on the machine without having activated any button and/or selector (otherwise the Push&Wash+Dry function will be deactivated). To start the Push&Wash+Dry cycle press and hold the button for 2 seconds. The indicator lights up to show that the cycle has started. The wash and drying cycle is ideal for cotton or synthetic fabrics, as it washes them at a temperature of 30° and a maximum spin speed of 1000 rpm. During the drying cycle the maximum temperature is 60°C. At the end of the cycle the residual humidity will be the same as for the “” level. Max recommended load 2,5 kg. (Cycle duration 210’).

How does it work?






1. Load the laundry (cotton and/or synthetic garments) and close the door.
2. Pour the detergent and/or additives.
3. Start the cycle by pressing and holding the Push&Wash+Dry button for 2 seconds. The relevant indicator light will turn green and the door will lock (the DOOR LOCKED symbol is lit).
NB: starting the cycle through the Push&Wash+Dry button activates an automatic non-customisable wash and drying cycle recommended for cotton and synthetic fabrics.
4. The automatic cycle can be used only for washing, excluding the drying phase. Press the Push&Wash+Dry button and then the drying button : the drying icon of the “” level will switch off. Maximum load for washing-only is 3,5 kg (Cycle duration 50’). The cycle cannot be customised further.
To open the door while an automatic cycle is under way, press the START/PAUSE button. If the DOOR LOCKED symbol is off, the door may be opened only during the washing phase. Press the START/PAUSE button again to restart the wash cycle from the point at which it was interrupted.
5. Once the programme is finished, the END indicator light turns on.

Table of wash cycles

Wash cycles	Description of the wash cycle	Max. temp. (°C)	Max. speed (rpm)	Drying	Maximum load for drying (kg)	Detergents				Maximum load for washing (Kg)	Duration of wash cycle
						Prewash	Wash	Fabric softener	Bleach		
Special											
1	Sport	30°	600	●	3	-	●	●	-	3,5	55'
2	Dark	30°	800	●	2,5	-	●	●	-	4	70'
3	Anti-odour (Cotton)	60°	1000	●	3,5	-	●	●	-	3,5	110'
3	Anti-odour (Synthetic)	40°	1000	●	3	-	●	●	-	3,5	100'
4	Delicate	30°	0	●	1	-	●	●	-	1	80'
5	Wool: for wool, cashmere, etc.	40°	800	●	1,5	-	●	●	-	1,5	70'
6	Rapid 30'	30°	800	●	3	-	●	●	-	3	30'
Standard											
7	Cottons with Pre-wash: extremely soiled whites.	90°	1400	●	5	●	●	●	-	7	170'
8	 Cotton Standard 60° (1): heavily soiled whites and resistant colours.	60° (Max. 90°)	1400	●	5	-	●	●	-	7	170'
9	Synthetic: heavily soiled resistant colours.	60°	800	●	3	-	●	●	-	3,5	110'
10	Coloured (2)	40°	1400	●	5	-	●	●	-	7	100'
11	Eco Cotton 20°: lightly soiled whites and delicate colours.	20°	1400	●	5	-	●	●	-	7	170'
12	Eco Synthetic	20°	800	●	5	-	●	●	-	7	120'
Automatic											
13	Wash&Dry 45'	30°	1400	●	1	-	●	●	-	1	45'
14	AirFresh	-	-	●	1,5	-	-	-	-	-	30'
Partials											
	Rinse/Bleach	-	1400	●	5	-	-	●	●	7	50'
	Spin + Drain	-	1400	●	5	-	-	-	-	7	10'

The length of cycle shown on the display or in this booklet is an estimation only and is calculated assuming standard working conditions. The actual duration can vary according to factors such as water temperature and pressure, the amount of detergent used, the amount and type of load inserted, load balancing and any wash options selected.

For all Test Institutes:

- 1) Test wash cycle in compliance with regulation EN 50229: select wash cycle 8 with a temperature of 60°C.
- 2) Long wash cycle for cottons: select wash cycle 10 with a temperature of 40.

Setting the temperature

Press the TEMPERATURE button to set the wash temperature (see *Table of wash cycles*).

The temperature may be lowered, or even set to a cold wash ❄️. The Washer-dryer will automatically prevent you from selecting a temperature which is higher than the maximum value set for each wash cycle.

! Exception: if the 8 programme is selected, the temperature can be increased up to a value of 90°C.

Setting the drying cycle

Two different types of drying are possible: **time-based** and **level-based**.

Press the TIME-BASED DRYING button ⏰ to set the desired drying duration: 40' - 90' - 120' - 150' - 180'.

When the button is pressed for the first time, the selected time will be the minimum time allowed for the set cycle.

When the machine has started the drying phase, press the TIME-BASED DRYING button again to reduce the drying duration that was set previously. The indicator lights will show the new drying duration selected and the time remaining will consider the time that has elapsed.

Press the LEVEL-BASED DRYING button 🌞 to set the desired drying level:

Cupboard 📦: suitable for laundry which can be put back in a cupboard without being ironed.

Hanger 👔: ideal for clothes which do not need to be dried fully.

Iron 🧊: suitable for clothes which will need ironing afterwards. the remaining dampness softens creases, making them easier to remove.

If your laundry load to be washed and dried is much greater than the maximum stated load (see *adjacent table of wash cycles*), perform the wash cycle, and when the cycle is complete, divide the garments into groups and put some of them back in the drum. At this point, follow the instructions provided for a "Drying only" cycle. Repeat this procedure for the remainder of the load. A cooling-down period is always added to the end of each drying cycle.

Note: if all the drying indicator lights are off, the machine will **not** perform the drying cycle.

Drying only

Press button 🧺 to perform the drying-only cycle. After selecting the desired cycle (compatible with the type of garments), press button 🧺 to exclude the washing phase and start the drying phase at the maximum level for the selected cycle. The drying level and duration can be set and changed by pressing the drying buttons 🌞, 🌞.

(Not compatible with cycles 13 and 14).

Wash options

The various wash options available with this Washer-dryer will help to achieve the desired results, every time.

To activate the functions:

1. Press the button corresponding to the desired function;
2. the function is enabled when the corresponding indicator light is illuminated.

Note: If the indicator light flashes rapidly, this signals that this particular function may not be selected in conjunction with the selected wash cycle.

🧼 Stain removal

This option allows for selecting the type of dirt so as to optimally adjust the cycle for removing the stains. The following types of dirt can be selected:

- 🍷 **Food**, for stains caused by foodstuffs and beverages, for example.
- 🧴 **Work**, for grease and ink stains, for example.
- 🌿 **Outdoor**, for mud and grass stains, for example.

! The wash cycle duration varies according to the type of selected dirt.

! It cannot be used in conjunction with wash cycles 1-2-3-4-5-6-7-10-11-12-13-14-🧺-🧺.

½🌀

Press this button to reduce the spin speed.

! It cannot be used in conjunction with wash cycles 4-13-14.

🧺 Extra Rinse

By selecting this option, the efficiency of the rinse is increased and optimal detergent removal is guaranteed. It is particularly useful for sensitive skin.

! It cannot be used in conjunction with wash cycles 2-4-6-13-14-🧺.

Table of drying times (guideline values)

Fabric type	Load type	Max. load (kg)	Cupboard 📦	Hanger 👔	Iron 🧊
Cotton	Clothing of different sizes, Terry towels	5	250	210	190
Synthetic	Sheets, Shirts, Pyjamas, socks, etc.	3	180	130	115
Wool	Knitwear, Pullovers, etc.	1,5	155	135	115

Detergents and laundry

GB

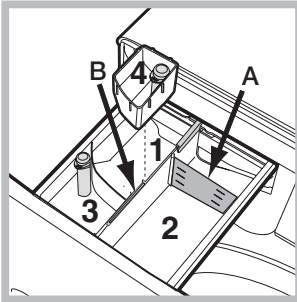
Detergent dispenser drawer

Successful washing results also depend on the correct dose of detergent: adding too much detergent will not necessarily result in a more efficient wash, and may in fact cause build up on the inside of your appliance and contribute to environmental pollution.

! Do not use hand washing detergents because these create too much foam.

! Use powder detergent for white cotton garments, for pre-washing, and for washing at temperatures over 60°C.

! Follow the instructions given on the detergent packaging.



Open the detergent dispenser drawer and pour in the detergent or washing additive, as follows.

Compartment 1: Pre-wash detergent (powder)

Before pouring in the detergent, make sure that extra compartment 4 has been removed.

Compartment 2: Washing detergent (powder or liquid)

If liquid detergent is used, it is recommended that the removable plastic partition **A** (supplied) be used for proper dosage. If powder detergent is used, place the partition into slot **B**.


Compartment 3: Additives (fabric softeners, etc.)

The fabric softener must not exceed the "max" level indicated on the central pin.

Extra compartment 4: Bleach

Bleach cycle

Insert the additional compartment **4** (provided) into compartment **1**. In pouring the bleach do not exceed the "max" level indicated on the central pin.

Perform bleaching by pouring the bleach into additional compartment **4** and set the programme .

! Traditional bleach should be used on resistant white fabrics, and delicate bleach for coloured and synthetics fabrics and for wool.

Preparing the laundry

- Divide the laundry according to:
 - the type of fabric/the symbol on the label
 - the colours: separate coloured garments from whites.
- Empty all garment pockets and check the buttons.
- Do not exceed the values listed in the "Table of wash cycles", which refer to the weight of the laundry when dry.

How much does your laundry weigh?

- 1 sheet 400-500 g
- 1 pillow case 150-200 g
- 1 tablecloth 400-500 g
- 1 bathrobe 900-1.200 g
- 1 towel 150-250 g

Garments requiring special care

Sport (programme **1**) is designed for washing lightly soiled sports clothing (tracksuits, shorts, etc.); for best results, we recommend not exceeding the maximum load indicated in the "Table of wash cycles". We recommend using liquid detergent, and adding the amount suitable for a half-load.

Dark: use programme **2** to wash dark-coloured garments. This programme is designed to maintain dark colours over time. We recommend using a liquid detergent for the best results when washing dark-coloured garments.

When you select the drying function, at the end of the washing cycle the machine will automatically perform a delicate drying cycle that preserves the colours of the garments. The display will show the level "☁".

Max. load: 2,5 kg.

Anti-odour: use programme **3** for washing garments with bad odours (e.g. smoke, sweat, fried food). The programme is designed to remove bad odours while preserving the fabric fibres. Synthetics fabrics or mixed loads should be washed at 40°, and resistant cotton fabrics at 60°.

Delicate: use programme **4** to wash very delicate garments. It is advisable to turn the garments inside out before washing them. For best results, use liquid detergent on delicate garments.

When selecting an exclusively time-based drying function, a drying cycle is performed at the end of the wash cycle that is particularly delicate, thanks to light handling and appropriate temperature control of the water jet.

The recommended durations are:

- 1 kg of synthetic garments --> 150 min
- 1 kg of synthetic and cotton garments --> 180 min
- 1 kg of cotton garments --> 180 min

The degree of dryness depends on the load and fabric composition.

Wool: the wool wash programme of this machine has been tested and approved by The Woolmark Company for the washing of wool containing garments labelled as "hand wash" provided that the garments are washed according to the instructions on the garment label and those issued by the manufacturer of this washer-dryer. (M1126)



In UK, Eire, Hong Kong and India the Woolmark trade mark is a Certification trade mark.

Rapid 30' (programme **6**) this programme is designed to wash lightly soiled garments at 30° (excluding wool and silk) with a 3 kg maximum load in a short time: it only lasts 30 minutes and allows for saving time and energy

Coloured: use this programme **10** to wash bright coloured clothes. The programme is designed to maintain bright colours over time.

Eco Cotton 20° (programme **11**) ideal for lightly soiled cotton loads. The effective performance levels achieved at cold temperatures, which are comparable to washing at 40°, are guaranteed by a mechanical action which operates at varying speed, with repeated and frequent peaks.

Eco Synthetic (programme **12**) ideal for mixed loads (cotton and synthetics) with a normal soil level. The effective performance levels achieved at cold temperatures are guaranteed by a mechanical action which operates at varying speed, across set average intervals.

Wash&Dry 45' select programme **13** for washing and drying lightly soiled garments (Cotton and Synthetic) in a short time. This cycle may be used to wash and dry a laundry load of up to 1 kg in just 45 minutes. To achieve optimum results, use liquid detergent and pre-treat cuffs, collars and stains.

AirFresh (programme **14**) ideal cycle to refresh garments and remove bad odours, in particular smoke, from cotton and synthetic items in 30' (max 1.5kg) without the washing phase.

Your Washer-dryer could fail to work. Before contacting the Technical Assistance Centre (see “Assistance”), make sure that the problem cannot be solved easily using the following list.

Problem:

The Washer-dryer does not switch on.

The wash cycle does not start.

The Washer-dryer does not take in water (the indicator light for the first wash cycle stage flashes rapidly).

The Washer-dryer continuously takes in and drains water.

The Washer-dryer does not drain or spin.

The Washer-dryer vibrates a lot during the spin cycle.

The Washer-dryer leaks.

The “Options” indicator lights and the “start/pause” indicator light flash, while one of the “phase in progress” indicator lights and the “door locked” indicator light will remain lit in a fixed manner.

There is too much foam.

Push&Wash+Dry does not activate.

The washer-dryer does not dry.

Possible causes / Solutions:

- The appliance is not plugged into the socket fully, or is not making contact.
 - There is no power in the house.
 - The Washer-dryer door is not closed properly.
 - The ON/OFF button has not been pressed.
 - The START/PAUSE button has not been pressed.
 - The water tap has not been opened.
 - The water inlet hose is not connected to the tap.
 - The hose is bent.
 - The water tap has not been opened.
 - There is no water supply in the house.
 - The pressure is too low.
 - The START/PAUSE button has not been pressed.
 - The drain hose is not fitted at a height between 65 and 100 cm from the floor (see “Installation”).
 - The free end of the hose is under water (see “Installation”).
 - The wall drainage system is not fitted with a breather pipe.
- If the problem persists even after these checks, turn off the water tap, switch the appliance off and contact the Assistance Service. If the dwelling is on one of the upper floors of a building, there may be problems relating to water drainage, causing the Washer-dryer to fill with water and drain continuously. Special anti-draining valves are available in shops and help to avoid this inconvenience.
- The wash cycle does not include draining: some wash cycles require the drain phase to be started manually.
 - The drain hose is bent (see “Installation”).
 - The drainage duct is clogged.
 - The drum was not unlocked correctly during installation (see “Installation”).
 - The Washer-dryer is not level (see “Installation”).
 - The Washer-dryer is trapped between cabinets and walls (see “Installation”).
 - The water inlet hose is not screwed on properly (see “Installation”).
 - The detergent dispenser drawer is blocked (for cleaning instructions, see “Care and maintenance”).
 - The drain hose is not fixed properly (see “Installation”).
- Switch off the machine and unplug it, wait for approximately 1 minute and then switch it back on again.
If the problem persists, contact the Technical Assistance Service.
- The detergent is not suitable for machine washing (it should display the text “for Washer-dryers” or “hand and machine wash”, or the like).
 - Too much detergent was used.
 - After switching on the machine a control other than Push&Wash+Dry was activated. Switch the machine off and press the Push&Wash+Dry button.
 - The appliance is not plugged into the socket, or not enough to make contact.
 - There has been a power failure.
 - The appliance door is not shut properly.
 - All the drying indicator lights are off.

Service

GB

Before calling for Assistance:


- Check whether you can solve the problem alone (see “*Troubleshooting*”);
- Restart the programme to check whether the problem has been solved;
- If this is not the case, contact an authorised Technical Assistance Centre using the telephone number provided on the guarantee certificate.

! Always request the assistance of authorised technicians.

Have the following information to hand:

- the type of problem;
- the appliance model (Mod.);
- the serial number (S/N).

This information can be found on the data plate applied to the rear of the Washer-dryer, and can also be found on the front of the appliance by opening the door.

!  Dieses Symbol erinnert Sie daran, das vorliegende Handbuch zu lesen.

DE

DE

Deutsch

XWDA 751480

INHALTSVERZEICHNIS

Installation, 14-15

Auspacken und Aufstellen
Wasser- und Elektroanschlüsse
Erster Waschgang
Technische Daten

Reinigung und Pflege, 16

Abstellen der Wasser- und Stromversorgung
Reinigung des Gerätes
Reinigung der Waschmittelschublade
Pflege der Gerätetür und Trommel
Reinigung der Pumpe
Kontrolle des Wasserzulaufschlauchs

Vorsichtsmaßnahmen und Hinweise, 17

Allgemeine Sicherheit
System zur Auswuchtung der Wäscheladung
Entsorgung

Beschreibung des Waschtrockner und Starten eines Waschprogramms, 18-19

Bedienblende
Kontrollleuchten
Starten eines Waschprogramms

Waschprogramme, 20

Push&Wash+Dry
Programmtabelle

Personalisierungen, 21

Temperatureinstellung
Trocknungsprogramm einstellen
Waschmöglichkeiten

Waschmittel und Wäsche, 22

Waschmittelschublade
Bleichen
Vorsortieren der Wäsche
Besondere Wäscheteile

Störungen und Abhilfe, 23

Kundendienst, 24

Aufstellung

DE

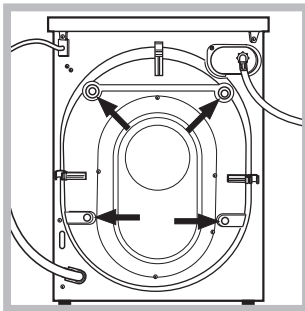
! Es ist äußerst wichtig, diese Bedienungsanleitung sorgfältig aufzubewahren, um sie jederzeit zu Rate ziehen zu können. Sorgen Sie dafür, dass sie im Falle eines Umzugs oder einer Übergabe an einen anderen Benutzer das Gerät stets begleitet, damit auch der neue Inhaber die Möglichkeit hat, diese zu Rate zu ziehen.

! Lesen Sie bitte folgende Hinweise aufmerksam durch: sie liefern wichtige Informationen hinsichtlich der Installation, des Gebrauchs und der Sicherheit.

Auspacken und Aufstellen

Auspacken

1. Gerät auspacken.
2. Sicherstellen, dass der Waschvollautomat keine Transportschäden erlitten hat. Schließen Sie das Gerät im Falle einer Beschädigung bitte nicht an und kontaktieren Sie Ihren Händler.



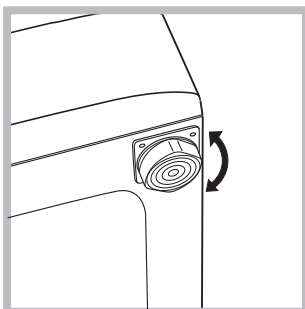
3. Die 4 Transportschutzschrauben ausschrauben und das an der Rückwand befindliche Gummitteil und das entsprechende Abstandsstück abnehmen (siehe Abbildung).

4. Die Löcher mittels der mitgelieferten Kunststoffstöpsel schließen.
5. Sämtliche Teile aufbewahren: Sollte der Waschvollautomat erneut transportiert werden müssen, müssen diese Teile wieder eingesetzt werden.

! Verpackungsmaterial ist kein Spielzeug für Kinder.

Nivellierung

1. Der Waschvollautomat muss auf einem ebenen, festen Untergrund aufgestellt werden, ohne diesen an Wände, Möbelteile oder ähnliches anzulehnen.



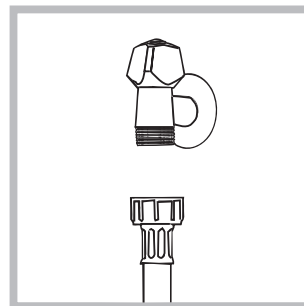
2. Sollte der Boden nicht perfekt eben sein, müssen die Unebenheiten durch An- bzw. Ausdrehen der vorderen Stellfüße ausgeglichen werden (siehe Abbildung), der auf der Arbeitsfläche zu ermittelnde Neigungsgrad darf 2°

nicht überschreiten.

Eine präzise Nivellierung verleiht dem Gerät die erforderliche Stabilität, durch die Vibrationen, Betriebsgeräusche und ein Verrücken des Gerätes vermieden werden. Bei Teppichböden müssen die Stellfüße so reguliert werden, dass ein ausreichender Freiraum zur Belüftung unter dem Waschvollautomaten gewährleistet ist.

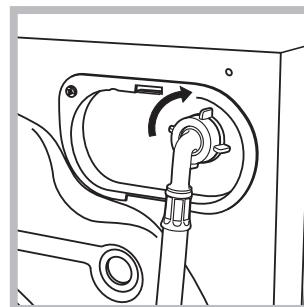
Wasser- und Elektroanschlüsse

Anschluss des Zulaufschlauches



1. Schrauben Sie den Wasserschlauch an einen Kaltwasserhahn mit $\frac{3}{4}$ -Zoll-Gewindeanschluss an (siehe Abbildung).

Lassen Sie das Wasser vor dem Anschluss so lange auslaufen, bis klares Wasser austritt.



2. Das andere Ende des Schlauches an den oben rechts am Rückteil des Waschvollautomaten befindlichen Wasseranschluss anschließen (siehe Abbildung).

3. Der Schlauch darf nicht eingeklemmt oder abgeknickt werden.

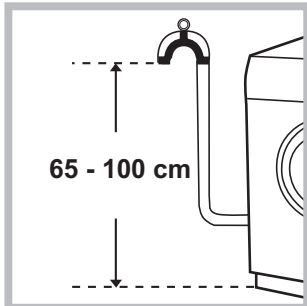
! Der Wasserdruck muss innerhalb der Werte liegen, die in der Tabelle der Technischen Daten angegeben sind (siehe nebenstehende Seite).

! Sollte der Zulaufschlauch nicht lang genug sein, dann wenden Sie sich bitte an einen Fachhändler oder an einen autorisierten Fachmann.

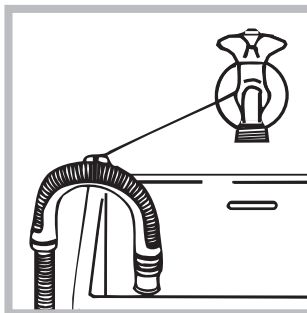
! Verwenden Sie niemals bereits gebrauchte Schläuche.

! Verwenden Sie die Schläuche, die mit dem Gerät geliefert wurden.

Anschluss des Ablaufschlauches



Schließen Sie den Ablaufschlauch, ohne ihn dabei zu knicken, an eine Ablaufleitung, oder an einen in der Wand, in einer Höhe von 65cm bis 100cm an;



oder hängen Sie diesen in ein Becken oder eine Wanne ein; befestigen Sie den Schlauch in diesem Falle mittels der mitgelieferten Führung an dem Wasserhahn (siehe Abbildung). Das freie Ablaufschlauchende darf

nicht unter Wasser bleiben.

! Verlängerungsschläuche sollten nicht eingesetzt werden, sollte dies jedoch absolut unvermeidlich sein, muss die Verlängerung denselben Durchmesser des Originalschlauchs aufweisen und darf eine Länge von 150 cm nicht überschreiten.

Elektroanschluss

Vor Einfügen des Netzsteckers in die Steckdose ist sicherzustellen, dass:

- die Steckdose über eine normgerechte Erdung verfügt;
- die Steckdose die in den Technischen Daten angegebenen Höchstlast des Gerätes trägt (siehe nebenstehende Tabelle);
- die Stromspannung den in den Technischen Daten angegebenen Werten entspricht (siehe nebenstehende Tabelle);
- die Steckdose mit dem Netzstecker des Waschtrockner kompatibel ist. Andernfalls muss der Netzstecker (oder die Steckdose) ersetzt werden.

! Der Waschvollautomat darf nicht im Freien installiert werden, auch nicht, wenn es sich um einen geschützten Platz handelt. Es ist gefährlich, das Gerät Gewittern und Unwettern auszusetzen.

! Die Steckdose muß jederzeit zugänglich sein.

! Verwenden Sie bitte keine Verlängerungen oder Mehrfachstecker.

! Das Netzkabel darf nicht gebogen bzw. eingeklemmt werden.

! Das Versorgungskabel darf nur durch autorisierte Fachkräfte ausgetauscht werden.

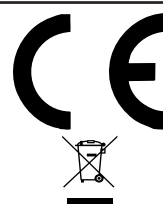
Achtung! Der Hersteller übernimmt keinerlei Haftung, sollten diese Vorschriften nicht genau beachtet werden.

Erster Waschgang

Lassen Sie nach der Installation bzw. vor erstmaligem Gebrauch erst einen Waschgang (mit Waschmittel) ohne Wäsche durchlaufen. Stellen Sie hierzu das Waschprogramm „AUTO REINIGEN“ ein (siehe „Reinigung des Gerätes“).

Technische Daten

Modell	XWDA 751480
Abmessungen	Breite 59,5 cm Höhe 85 cm Tiefe 54 cm
Fassungsvermögen	1 bis 7 kg für Waschzyklus 1 bis 5 kg für Trockenzyklus
Elektroanschlüsse	siehe das am Gerät befindliche Typenschild
Wasseranschlüsse	Höchstdruck 1 MPa (10 bar) Mindestdruck 0,05 MPa (0,5 bar) Trommelvolumen 52 Liter
Schleudertouren	bis zu 1400 U/min.
Prüfprogramme gemäß EN 50229	Waschen: programm 8; Temperatur 60°C; bei einer Lademenge von 7 kg. Trocknen: die kleinere Ladung (2kg) muss mit der Trockenstufe "☁" getrocknet werden und soll aus 2 Bettlaken, 1 Kissenbezügen und 2 Handtücher bestehen; die Ladung mit der restlichen Wäsche muss mit der Trockenstufe "☁☁" getrocknet werden.



Dieses Gerät entspricht den folgenden EG-Richtlinien:

- 2004/108/CE (elektromagnetische Verträglichkeit)
- 2012/19/EU
- 2006/95/CE (Niederspannung)

Reinigung und Pflege

DE

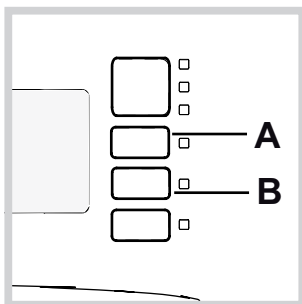
Abstellen der Wasser- und Stromversorgung

- Drehen Sie den Wasserhahn nach jedem Waschvorgang zu. Hierdurch wird der Verschleiß der Wasseranlage verringert und Wasserlecks vorgebeugt.
- Ziehen Sie den Netzstecker aus der Steckdose, bevor Sie Ihren Waschtrockner reinigen.

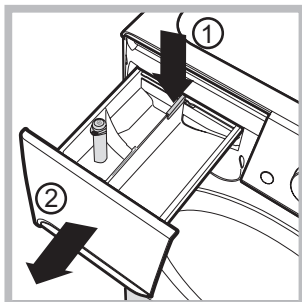
Reinigung des Gerätes

- Die Gehäuseteile und die Teile aus Gummi können mit einem mit warmer Spülmittellauge angefeuchteten Tuch gereinigt werden. Vermeiden Sie den Einsatz von Löse- und Scheuermitteln.

• Die Waschtrockner verfügt über ein „AUTO REINIGEN“-Programm der inneren Teile, das **gänzlich ohne Wäsche** durchgeführt werden muss. Als Hilfsmittel können bei diesem Waschgang Waschmittel (10 % von der für gering verschmutzte Kleidungsstücke empfohlenen Menge) oder spezifische Zusatzstoffe für die Reinigung von Waschtrocknern verwendet werden. Es wird empfohlen, das Reinigungsprogramm alle 40 Waschgänge durchzuführen. Um das Programm zu aktivieren, drücken Sie fünf Sekunden lang gleichzeitig die Tasten **A** und **B** (siehe abb.). Das Programm startet automatisch und dauert etwa 70 Minuten. Um den Zyklus anzuhalten, drücken Sie die Taste START/PAUSE.



Reinigung der Waschmittelschublade



Drücken Sie auf den Arretierhebel (1) und ziehen Sie die Waschmittelschublade nach vorne hin heraus (2) (siehe Abbildung).

Spülen Sie sie regelmäßig unter fließendem Wasser gründlich aus.

Pflege der Gerätetür und Trommel

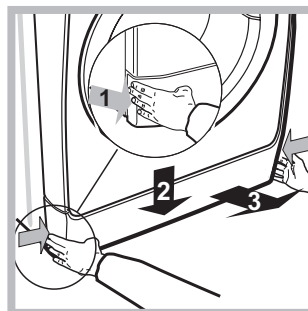
- Lassen Sie die Gerätetür stets leicht offen stehen, um die Bildung unangenehmer Gerüche zu vermeiden.

Reinigung der Pumpe

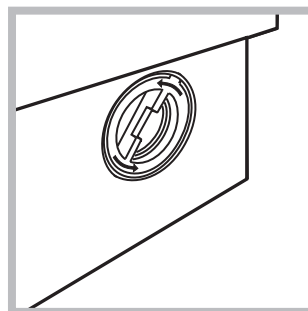
Ihr Gerät ist mit einer selbstreinigenden Pumpe ausgerüstet, eine Wartung ist demnach nicht erforderlich. Es könnte jedoch vorkommen, dass kleine Gegenstände (Münzen, Knöpfe) in die zum Schutz der Pumpe dienende Vorkammer (befindlich unter der Pumpe) fallen.

! Vergewissern Sie sich, dass der Waschgang abgeschlossen ist und ziehen Sie den Netzstecker heraus.

Zugang zur Vorkammer:



1. Nehmen Sie die Abdeckung an der Gerätefront ab, indem Sie zur Mitte hin drücken, dann drücken Sie beide Seiten nach unten und ziehen sie heraus (siehe Abbildungen).



2. Drehen Sie den Deckel gegen den Uhrzeigersinn ab (siehe Abbildung): es ist ganz normal, wenn etwas Wasser austritt.

3. Reinigen Sie das Innere gründlich;
4. Schrauben Sie den Deckel wieder auf.
5. Bringen Sie die Abdeckung wieder an. Stellen Sie hierbei sicher, dass die Haken in die Schlitze eingreifen, bevor Sie die Abdeckung fest andrücken.

Kontrolle des Wasserzulaufschlauchs

Kontrollieren Sie den Zulaufschlauch mindestens einmal im Jahr. Weist er Risse bzw. Brüche auf, muss er ausgetauscht werden. Der starke Druck während des Waschprogramms könnte zu plötzlichem Platzen führen.

! Verwenden Sie niemals bereits gebrauchte Schläuche.

! Der Wäschetrockner wurde nach den strengsten internationalen Sicherheitsvorschriften entworfen und gebaut. Nachstehende Hinweise werden aus Sicherheitsgründen geliefert und sollten aufmerksam gelesen werden.

Allgemeine Sicherheit

- Dieses Gerät wurde ausschließlich für den Einsatz im privaten Haushalt konzipiert.
- Dieses Gerät ist nicht zur Verwendung durch Personen (einschließlich Kinder) mit eingeschränkten körperlichen, geistigen oder sensorialen Fähigkeiten oder ohne ausreichende Erfahrung und Kenntnis geeignet, es sei denn, sie werden durch eine für ihre Sicherheit verantwortliche Person beaufsichtigt und eingewiesen. Kinder müssen beaufsichtigt werden, um sicherzustellen, dass sie nicht mit dem Gerät spielen.
 - Trocken Sie keine nicht gewaschenen Wäschestücke.
 - Wäschestücke, die mit Substanzen wie Speiseöl, Nagellackentferner, Alkohol, Benzin, Kerosin, Fleckentferner, Terpentin, Wachse und Stoffe zum Entfernen von Wachsen verschmutzt sind, müssen in warmem Wasser mit einer größeren Menge Waschmittel gewaschen werden, bevor Sie in den Trockner gegeben werden dürfen.
 - Gegenstände wie Schaumgummi (Latex), Duschhauben, wasserdichte Textilien, Artikel mit einer Gummiseite oder Kleidung oder Kissen mit Latexanteilen dürfen nicht in dem Wäschetrockner getrocknet werden.
 - Weichspüler oder ähnliche Produkte müssen gemäß der Anweisungen des Herstellers verwendet werden.
 - Die Endphase eines Trockenzyklus erfolgt ohne Hitze (Abkühlzyklus), damit die Wäsche nicht beschädigt wird. **ACHTUNG:** Halten Sie den Wäschetrockner nie vor Ablauf des Trockenprogramms an. Nehmen Sie in diesem Fall die Wäsche schnell aus dem Gerät heraus und hängen Sie sie sofort auf, damit sie abkühlen kann.
- Berühren Sie das Gerät nicht, wenn Sie barfuß sind, und auch nicht mit nassen oder feuchten Händen oder Füßen.
- Ziehen Sie den Gerätestecker nicht am Kabel aus der Steckdose, sondern nur am Netzstecker selbst.
- Öffnen Sie die Waschmittelschublade nicht, wenn das Gerät in Betrieb ist.
- Berühren Sie nicht das Ablaufwasser, es könnte sehr heiß sein.
- Öffnen Sie die Gerätetür nicht mit Gewalt: Der Sicherheits-Schließmechanismus könnte hierdurch beschädigt werden.
- Bei etwaigen Störungen versuchen Sie bitte nicht, Innenteile selbst zu reparieren.
- Halten Sie Kinder stets von dem in Betrieb befindlichen Gerät fern.
- Während des Waschganges kann die Gerätetür sehr heiß werden.

- Muss das Gerät versetzt werden, sollten hierfür zwei oder drei Personen verfügbar sein. Versetzen Sie es niemals allein, das Gerät ist äußerst schwer.
- Bevor Sie die Wäsche einfüllen, stellen Sie bitte sicher, dass die Wäschetrommel leer ist.
- Während des Trocknens kann die Gerätetür heiß werden.
- Trocknen Sie keine Wäsche, die in brennbaren Lösemitteln (wie Trielin) gewaschen wurde.
- Trocknen Sie weder Schaumgummi noch ähnliche Elastomer bzw. Gummimaterialien.
- Vergewissern Sie sich, dass der Wasserhahn während des Trocknens auf ist.

System zur Auswuchtung der Wäscheladung

Um zu starke Vibrationen, die durch Unwucht beim Schleudern entstehen, zu vermeiden, sorgt das Gerät für eine gleichmäßige Verteilung der Wäscheladung durch Rotationen der Trommel. Sollte die Wäscheladung nach Ablauf mehrerer Versuche immer noch nicht korrekt verteilt sein, schleudert das Gerät die Wäsche bei einer niedrigeren Geschwindigkeit als die der vorgesehenen Schleudergeschwindigkeit. Sollte die Wäsche extrem ungleichmäßig verteilt sein, führt das Gerät anstelle des Schleudergangs einen Wäscheverteilungs-Zyklus durch. Um eine optimale Verteilung der Wäscheladung und somit eine korrekte Auswuchtung zu begünstigen, sollten große und kleine Wäscheteile gemischt eingefüllt werden.

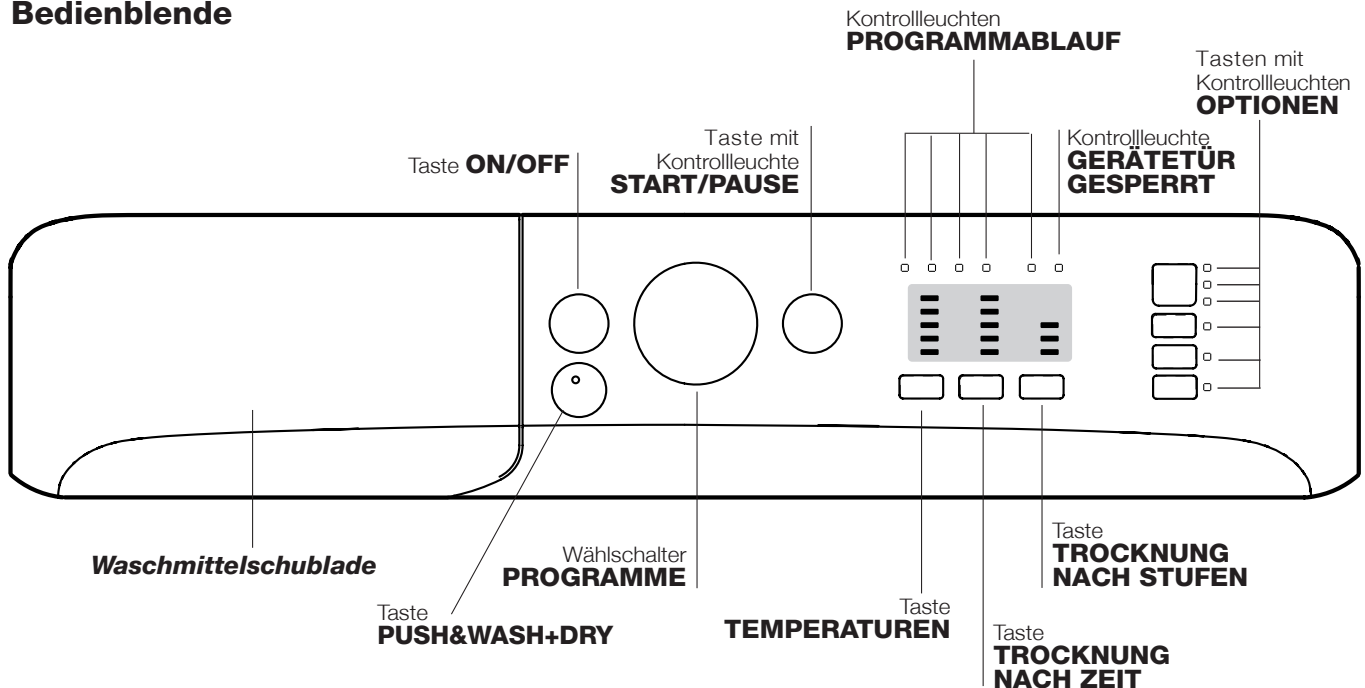
Entsorgung

- Entsorgung des Verpackungsmaterials: Befolgen Sie die lokalen Vorschriften, Verpackungsmaterial kann wiederverwertet werden.
- Gemäß der Europäischen Richtlinie 2012/19/EU über Elektro- und Elektronik-Altgeräte dürfen Elektrohaushalts-Altgeräte nicht über den herkömmlichen Hausmüllkreislauf entsorgt werden. Altgeräte müssen separat gesammelt werden, um die Wiederverwertung und das Recycling der beinhaltenen Materialien zu optimieren und die Einflüsse auf die Umwelt und die Gesundheit zu reduzieren. Das Symbol „durchgestrichene Mülltonne“ auf jedem Produkt erinnert Sie an Ihre Verpflichtung, dass Elektrohaushaltsgeräte gesondert entsorgt werden müssen. Endverbraucher können sich an Abfallämter der Gemeinden wenden, um mehr Informationen über die korrekte Entsorgung ihrer Elektrohaushaltsgeräte zu erhalten.

Beschreibung des Waschtrockner und Starten eines Waschprogramms

DE

Bedienblende



Waschmittelschublade: für Waschmittel und Zusätze (siehe „Waschmittel und Wäsche“).

Taste **ON/OFF:** zum Ein- und Ausschalten Ihres Waschtrockner.

Taste **PUSH&WASH+DRY:** (siehe „Waschprogramme“).

Wählschalter **PROGRAMME:** zur Wahl der Waschprogramme. Während des Programmablaufs bleibt der Schalter feststehend.

Tasten mit Kontrollleuchten **OPTIONEN:** zur Einstellung der verfügbaren Funktionen. Die der gewählten Einstellung entsprechende Kontrollleuchte bleibt eingeschaltet.

Taste **TEMPERATUREN:** zur Einstellung der Waschtemperatur oder einer Kaltwäsche (siehe „Personalisierungen“).

Taste **TROCKNUNG NACH ZEIT:** drücken Sie diese Taste, um die gewünschte Trocknungszeit einzustellen. Die ausgewählte Trocknungszeit wird über die Kontrollleuchten auf der Seite angezeigt.


Taste **TROCKNUNG NACH STUFEN:** drücken Sie diese Taste, um die gewünschte Trocknungsstufe einzustellen. Die ausgewählte Trocknungsstufe wird über die Kontrollleuchten auf der Seite angezeigt.

Kontrollleuchten **PROGRAMMABLAUF:** zur Kontrolle des Waschprogrammablaufs.

Die eingeschaltete Kontrollleuchte zeigt die laufende Programmphase an.

Kontrollleuchte **GERÄTETÜR GESPERRT:** diese Taste zeigt an, ob die Gerätetür geöffnet werden kann oder nicht (siehe Nebenseite).

Taste mit Kontrollleuchte **START/PAUSE:** mittels dieser Taste werden die Waschprogramme gestartet oder kurz unterbrochen.

NB: Durch Drücken dieser Taste, kann das Waschprogramm zeitweilig unterbrochen werden (Pause). Die entsprechende Kontrollleuchte schaltet auf orangefarbenes Blinklicht, die Kontrollleuchte der bestehenden Programmphase dagegen schaltet auf Dauerlicht. Sobald die Kontrollleuchte GERÄTETÜR GESPERRT  erlischt, kann die Gerätetür geöffnet werden (etwa 3 Minuten). Um das Programm an der Stelle, an der es unterbrochen wurde, wieder in Gang zu setzen, drücken Sie diese Taste erneut.

Funktion Standby

Zur Erfüllung der neuen Richtlinien zum Energieverbrauch ist diese Waschtrockner mit einem automatischen Ausschaltensystem (Standby) ausgestattet, das nach 30 Minuten des Nichtgebrauchs in Funktion tritt. Drücken Sie kurz die Taste ON-OFF und warten Sie, bis sich die Maschine wieder einschaltet.

Verbrauch in Off-Betrieb: 0,5 W





Verbrauch in Left-On: 8 W

Kontrollleuchten

Die Kontrollleuchten liefern wichtige Hinweise. Sie signalisieren:

Laufende Programmphase

Wurde das Waschprogramm gewählt und gestartet, leuchten die Kontrollleuchten nach und nach auf, und zeigen so den jeweiligen Programmstand an.

Hauptwäsche	
Spülen	
Schleudern/Abpumpen	
Trockner	
Ende des Waschgangs	END

Funktionstasten und entsprechende Kontrollleuchten

Nach der Wahl einer Funktion leuchtet die entsprechende Taste auf. Ist die gewählte Funktion nicht vereinbar mit dem eingestellten Programm, schaltet die entsprechende Kontrollleuchte auf Blinklicht und die Funktion wird nicht aktiviert. Ist die gewählte Funktion nicht mit einer zuvor ausgewählten vereinbar, schaltet die entsprechende Kontrollleuchte auf Blinklicht, es ertönt ein akustisches Signal (3 Signaltöne) und nur die zweite Funktion wird aktiviert (die entsprechende Kontrollleuchte schaltet sich ein).

Starten eines Waschprogramms

Schnellprogrammierung


- EINFÜLLEN DER WÄSCHE.** Öffnen Sie die Gerätetür. Füllen Sie die Wäsche ein. Achten Sie hierbei bitte darauf, die in der Programmtabelle (auf der nächsten Seite) angegebene Wäschemenge nicht zu überschreiten.
- DOSIERUNG DES WASCHMITTELS.** Ziehen Sie die Waschmittelschublade heraus und füllen Sie das Waschmittel in die entsprechenden Kammern (siehe „Waschmittel und Wäsche“).
- SCHLIESSEN SIE DIE GERÄTETÜR.**
- Drücken sie die taste „Push&Wash+Dry“, um das programm zu starten.

Herkömmliche Programmierung

- Schalten Sie das Gerät über die ON/OFF-Taste ein. Sämtliche Kontrollleuchten leuchten für einige Sekunden auf, dann bleiben die Kontrollleuchten der Einstellungen des ausgewählten Programms eingeschaltet und die Kontrollleuchte START/PAUSE schaltet auf Blinklicht.
- Füllen Sie die Wäsche ein, und schließen Sie die Gerätetür.

Kontrollleuchte Gerätetür gesperrt:

Ist diese Kontrollleuchte eingeschaltet, bedeutet dies, dass das Bullauge gesperrt ist; warten Sie, bis die Leuchte erlischt, um das Bullauge zu öffnen (etwa 3 Minuten). Um während eines laufenden Programms das Bullauge zu öffnen, drücken Sie die Taste START/PAUSE; ist die der GERÄTETÜR GESPERRT entsprechende Kontrollleuchte ausgeschaltet, kann das Bullauge geöffnet werden.

- Stellen Sie mittels des Wählschalters PROGRAMME das gewünschte Programm ein.
- Stellen Sie die Waschtemperatur ein (siehe „Personalisierungen“).
- Trocknungsprogramm falls erforderlich einstellen (siehe „Personalisierungen“).
- Füllen Sie Waschmittel und Zusätze ein (siehe „Waschmittel und Wäsche“).
- Wählen Sie die gewünschten Funktionen.
- Setzen Sie das Programm mit der Taste START/PAUSE in Gang. Die entsprechende Kontrollleuchte bleibt eingeschaltet (grün Dauerlicht). Um die Waschprogramm-Einstellung rückgängig zu machen, muss das Gerät auf Pause geschaltet werden. Drücken Sie hierzu die Taste START/PAUSE. Wählen Sie daraufhin das neue Programm.
- Nach Ablauf des Waschprogramms leuchtet die Kontrollleuchte **END** auf. Sobald die Kontrollleuchte GERÄTETÜR GESPERRT  erlischt, kann das Bullauge geöffnet werden (etwa 3 Minuten). Nehmen Sie die Wäsche aus der Maschine und lassen Sie die Gerätetür leicht offen stehen, damit die Trommel trocknen kann. Schalten Sie den Wäschetrockner durch Drücken der ON/OFF-Taste aus.

Waschprogramme

DE

Push&Wash+Dry

Mit dieser Funktion kann ein automatischer Wasch- und Trocknungszyklus auch bei ausgeschalteter Maschine gestartet werden, ohne zuerst die ON/OFF-Taste zu drücken oder ohne, nach dem Einschalten der Maschine, weitere Tasten und/oder Drehschalter zu betätigen (wird dennoch eine Taste gedrückt, wird das Programm Push&Wash+Dry deaktiviert). Zum Starten des Zyklus Push&Wash+Dry halten Sie die Taste zwei Sekunden lang gedrückt. Die eingeschaltete Kontrollleuchte zeigt an, dass der Zyklus gestartet wurde. Der Wasch- und Trocknungszyklus ist ideal für Baumwolle und Synthetik, da er mit einer Temperatur von 30° und einer maximalen Schleudergeschwindigkeit von 1.000 U/min arbeitet. Die höchste während der Trocknung erreichte Temperatur beträgt etwa 60°. Am Ende des Programms entspricht die Restfeuchtigkeit jener beim "☁". Empfohlene max. Ladung: 2,5 kg (Programmdauer 210').

Wie funktioniert das?

1. Wäsche einfüllen (Baumwolle und/oder Synthetik) und Gerätetür schließen.
2. Waschmittel und/oder Zusätze einfüllen.
3. Das Programm starten (die Taste Push&Wash+Dry zwei Sekunden lang gedrückt halten). Die zugehörige Kontrollleuchte schaltet auf grünes Dauerlicht und die Gerätetür sperrt (Symbol GERÄTETÜR GESPERRT leuchtet). Hinweis: Der Programmstart mit der Taste Push&Wash+Dry aktiviert einen automatischen Wasch- und Trocknungszyklus für Baumwolle und Synthetik, der nicht weiter individualisiert werden kann.
4. Es besteht die Möglichkeit, das Automatikprogramm nur zum Waschen zu verwenden und die Trocknung auszuschließen. Drücken Sie nacheinander die Taste Push&Wash+Dry und die Trocknungstaste ☁. Das Trocknungssymbol "☁" erlischt. Die max. Ladung der Funktion „nur Waschen“ beträgt 3,5 kg (Programmdauer 50'). Das Programm kann nicht weiter individualisiert werden.
- Um während eines laufenden Programms die Gerätetür zu öffnen, drücken Sie die Taste START/PAUSE; wenn das Symbol GERÄTETÜR GESPERRT erloschen ist, kann die Gerätetür nur während des Waschvorgangs geöffnet werden. Drücken Sie die Taste START/PAUSE erneut, um das Programm an der Stelle, an der es unterbrochen wurde, wieder in Gang zu setzen.
5. Nach Ablauf des Waschprogramms leuchtet die Kontrollleuchte END auf.

Programmtabelle

Waschprogramm- name	Beschreibung des Programms	Max. Temperatur (°C)	Max. Schleuder Ge- schwindi- gkeit (U/min)	Trockner	Max. Ladung beim Trocknung- svorgang (Kg)	Waschmittel				Max. Ladung beim Waschvor- gang (Kg)	Dauer des Waschzyklus
						Vorwäsche	Hauptwä- sche	Weichspü- ler	Bleichen		
Spezial											
1	Sport	30°	600	●	3	-	●	●	-	3,5	55'
2	Dunkles	30°	800	●	2,5	-	●	●	-	4	70'
3	Anti-Geruch (Baumwolle)	60°	1000	●	3,5	-	●	●	-	3,5	110'
3	Anti-Geruch (Synthetik)	40°	1000	●	3	-	●	●	-	3,5	100'
4	Feine Wäsche	30°	0	●	1	-	●	●	-	1	80'
5	Wolle: wolle, Kaschmir usw.	40°	800	●	1,5	-	●	●	-	1,5	70'
6	Schnell 30'	30°	800	●	3	-	●	●	-	3	30'
Standard											
7	Weißes Baumwolle 90° (mit Vorwäsche): stark verschmutzte Kochwäsche.	90°	1400	●	5	●	●	●	-	7	170'
8	Standard Baumwolle 60° (1): stark verschmutzte Weiß- und farbechte Buntwäsche.	60° (Max. 90°)	1400	●	5	-	●	●	-	7	170'
9	Synthetik: stark verschmutzte, farbechte Buntwäsche.	60°	800	●	3	-	●	●	-	3,5	110'
10	Bunte Wäsche (2)	40°	1400	●	5	-	●	●	-	7	100'
11	Eco Baumwolle 20°: leicht verschmutzte Weißwäsche und empfindliche Buntwäsche.	20°	1400	●	5	-	●	●	-	7	170'
12	20° Mix-Fein	20°	800	●	5	-	●	●	-	7	120'
Automatik											
13	Waschen&Trocknen 45'	30°	1400	●	1	-	●	●	-	1	45'
14	Auffrischen	-	-	●	1,5	-	-	-	-	-	30'
Teilprogramme											
☁	Spülen/Bleichen	-	1400	●	5	-	-	●	●	7	50'
☁	Schleudern + Abpumpen	-	1400	●	5	-	-	-	-	7	10'

Die auf dem Display und in der Bedienungsanleitung genannte Zyklusdauer wird ausgehend von Standardbedingungen berechnet. Die effektiv benötigte Zeit kann aufgrund zahlreicher Faktoren wie Temperatur und Druck des Zulaufwassers, Raumtemperatur, Waschmittelmenge, Art, Menge und Verteilung der Waschlading sowie der gewählten Zusatzfunktionen variieren.

Für alle Testinstitute:

- 1) Prüfprogramm gemäß EN 50229: Das Programm 8 mit einer Temperatur von 60°C einstellen.
- 2) Langes Baumwollprogramm: Programm 10 und eine Temperatur von 40°C einstellen.

Temperatureinstellung

Durch Drücken der Taste „TEMPERATUREN“, um die Wascht Temperatur einzustellen (siehe *Programmtabelle*). Die Temperatur kann bis auf Kaltwäsche herabgesetzt werden. Der Waschvollautomat verhindert automatisch die Einstellung einer höheren Schleuderstufe, sollte diese die für das jeweilige Programm vorgeschriebene Höchstgeschwindigkeit übersteigen. **!** Ausnahme: Wird das Waschprogramm 8 eingestellt, kann die Temperatur bis auf 90° erhöht werden.

Trocknungsprogramm einstellen

Es gibt zwei Trocknungsarten – nach **Zeit** und nach **Stufe**. Durch Drücken der Taste TROCKNUNG NACH ZEIT kann die gewünschte Trocknungsdauer eingestellt werden: **40' - 90' - 120' - 150' - 180'.**

Nach dem erstmaligen Drücken der Taste entspricht die ausgewählte Zeit der für das eingestellte Programm mindestens erforderlichen Dauer.

Sobald die Maschine mit dem Trocknungsvorgang begonnen hat, kann die zuvor eingestellte Dauer des Trocknungsvorgangs verkürzt werden, indem die Taste TROCKNUNG NACH ZEIT gedrückt wird. Die Kontrollleuchten zeigen die neue ausgewählte Trocknungszeit an, und die Restzeit des Trocknungsvorgangs gibt Aufschluss darüber, wie viel Zeit bereits vergangen ist.

Durch Drücken der Taste TROCKNUNG NACH STUFE kann die gewünschte Trocknungsstufe eingestellt werden:

Falten : geeignet für Kleidungsstücke, die ohne Bügeln in den Schrank geräumt werden können.

Aufhängen : ideal für Kleidungsstücke, die nicht komplett trocken zu sein brauchen.

Bügeln : noch leicht feuchte, einfach zu bügelnde Wäscheteile.

Bei Überschreitung der max. Füllmenge der Wäscheladung für waschen und trocknen in einem Programmablauf (*Programmtabelle*), aktivieren Sie zuerst das Waschprogramm. Nach Ablauf des Waschprogramms teilen Sie die Waschlading so auf, dass nur die max. mögliche Füllmenge zum Trocknen in der Trommel verbleibt. Befolgen Sie daraufhin die Anleitungen des Abschnitts **“Nur Trocknen”**. Wiederholen Sie dasselbe nun mit der restlichen Wäschemenge. Im Anschluss an den Trocknungsvorgang folgt immer eine kurze Abkühlzeit.

Hinweis: Wenn alle Kontrollleuchten bezüglich des Trocknungsvorgangs ausgeschaltet sind, führt die Maschine den Trocknungsvorgang **nicht** aus.

Nur Trocknen

Drücken Sie die Taste , um nur zu trocknen. Nachdem Sie das gewünschte Programm ausgewählt haben, das für die zu behandelnden Kleidungsstücke geeignet ist, kann der Waschvorgang durch Drücken der Taste ausgeschlossen werden; der Trockner wird mit der höchsten Stufe gestartet, die für das ausgewählte Programm möglich ist. Es besteht die Möglichkeit, die Stufe oder die Dauer des Trocknungsvorgangs einzustellen oder zu modifizieren, indem Sie die Trocknungstasten , drücken (Dies ist nicht kompatibel mit den Programmen 13 und 14).

Waschmöglichkeiten

Die verschiedenen Waschfunktionen, die Ihnen Ihr Waschvollautomat bietet, ermöglichen es Ihnen, hygienisch saubere und weiße Wäsche zu erhalten, die Ihren Wünschen entspricht.

Aktivierung der Funktionen:

1. Drücken Sie die Taste, die der gewünschten Funktion entspricht.
2. Das Aufleuchten der entsprechenden Kontrollleuchte zeigt an, dass die Funktion aktiviert wurde.

Anmerkung: Sollte die Kontrollleuchte jedoch auf rasches Blinklicht schalten, dann bedeutet dies, dass die Funktion zu dem eingestellten Programm nicht zugeschaltet werden kann.

Antiflecken

Mit dieser Option kann die Art der Verschmutzung eingestellt werden, um den Waschzyklus optimal auf die Entfernung der Flecken einzustellen. Die auswählbaren Verschmutzungsarten sind:

- **Lebensmittel**, beispielsweise für Flecken durch Lebensmittel und Getränke.
- **Arbeit**, beispielsweise für Fett- und Tintenflecken.
- **Outdoor**, beispielsweise für Schlamm- und Grasflecken.

! Die Dauer des Waschzyklus ändert sich je nach ausgewählter Verschmutzungsart.

! Diese Funktion kann zu den Programmen 1-2-3-4-5-6-7-10-11-12-13-14- nicht zugeschaltet werden.

½

Mit dieser Taste wird die Schleudergeschwindigkeit reduziert.

! Diese Funktion kann zu den Programmen 4-13-14 nicht zugeschaltet werden.

Extra Spülen

Wählen Sie diese Zusatzfunktion, wird die Spülwirkung erhöht und somit ein optimales Ausspülen des Waschmittels garantiert. Dies ist besonders angezeigt bei sehr empfindlicher Haut bzw. Waschmittelallergien.

! Diese Funktion kann zu den Programmen 2-4-6-13-14- nicht zugeschaltet werden.

Tabelle zur Dauer der Trockenprogramme (Richtwerte)

Gewebeart	Art der Ladung	Max. ladmenge (kg)	Falten	Aufhängen	Bügel-In
Baumwolle	Unterschiedlich große Wäscheteile, Frotteehandtücher	5	250	210	190
Synthetik	Bettwäsche, Oberhemden, Schalafanzüge, Socken usw.	3	180	130	115
Wolle	Pullover, usw	1,5	155	135	115

Waschmittel und Wäsche

DE

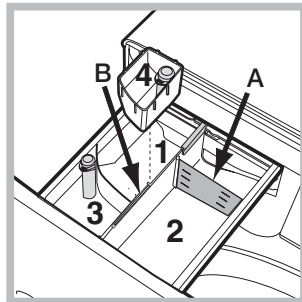
Waschmittelschublade

Ein gutes Waschergebnis hängt auch von einer korrekten Waschmitteldosierung ab: Eine zu hohe Dosierung bedeutet nicht unbedingt reinere Wäsche, sie trägt nur dazu bei, die Maschineinnenteile zu verkrusten und die Umwelt zu belasten.

! Verwenden Sie keine Handwaschmittel, sie verursachen eine zu hohe Schaumbildung.

! Waschmittel in Pulverform für Baumwollweißwäsche, für die Vorwäsche und für Waschprogramme bei Temperaturen über 60°C verwenden.

! Bitte befolgen Sie den auf der Waschmittelverpackung angegebenen Anweisungen.



Schublade herausziehen und Waschmittel oder Zusätze wie folgt einfüllen:

Kammer 1: Waschpulver für die Vorwäsche (Waschpulver)

Vergewissern Sie sich vor Einfüllen des Waschmittels, dass die Zusatzkammer 4 nicht eingesetzt wurde.

Kammer 2: Waschmittel für die Hauptwäsche (Waschpulver oder Flüssigwaschmittel)

Falls Sie ein Flüssigwaschmittel verwenden, wird empfohlen, die mitgelieferte Trennwand A zu benutzen, um eine korrekte Dosierung zu gewährleisten. Wenn Sie ein Pulverwaschmittel verwenden, geben Sie die Trennwand in die Kammer B.

Kammer 3: Zusätze (Weichspüler usw.)
Der Weichspüler darf den auf dem Zentralstift mit "max" gekennzeichneten Höchststand nicht überschreiten.

Zusätzliche Kammer 4: Bleichmittel

Der Weichspüler darf den auf dem Zentralstift mit "max" gekennzeichneten Höchststand nicht überschreiten.

Zusätzliche Kammer 4: Bleichmittel

Bleichen

Setzen Sie die mitgelieferte, zusätzliche Kammer 4 in Kammer 1 ein. Bei der Dosierung des Bleichmittels darf der auf dem Zentralstift mit "max" gekennzeichnete Höchststand nicht überschritten werden. Zur Durchführung des Programms Nur Bleichen geben Sie das Bleichmittel in die Zusatzkammer 4 und stellen Sie das Programm ein.

! Normale Bleichmittel sind für strapazierfähige Weißwäsche zu verwenden, milde Bleichmittel dagegen für Buntwäsche, Feinwäsche und Wolle.

Vorsortieren der Wäsche

- Sortieren Sie die Wäsche nach:
 - Gewebeat / Waschetikettensymbol
 - Farben: Buntwäsche von Weißwäsche trennen.
- Entleeren Sie alle Taschen.
- Das angegebene Gewicht, das sich auf die maximale Ladung an Trockenwäsche bezieht, sollte nicht überschritten werden: siehe "Programmtabelle".

Wie schwer ist Wäsche?

- 1 Betttuch 400-500 gr
- 1 Kissenbezug 150-00 gr
- 1 Tischdecke 400-500 gr
- 1 Bademantel 900-1200 gr
- 1 Handtuch 150-250 gr

Sonderprogramme

Sport (programm 1) ist speziell für wenig verschmutzte Sportkleidung (Trainingsanzüge, Sporthosen; für beste Resultate empfehlen wir, die in der "Programmtabelle" angezeigte maximale Füllmenge nicht zu übersteigen. Verwenden Sie ein Flüssigwaschmittel und nur die Menge für eine halbe Gerätefüllung.

Dunkles: Verwenden Sie das Programm 2 für die Reinigung von dunklen Kleidungsstücken. Das Programm wurde kon-

zipiert, damit dunkle Farben lange Zeit erhalten bleiben. Um bessere Ergebnisse zu erzielen, wird bei der Reinigung von dunklen Kleidungsstücken die Verwendung von Flüssigwaschmittel empfohlen.

Durch Auswahl der Funktion Trocknen erfolgt am Ende des Waschgangs automatisch eine sanfte Trocknung, die die Farben der Wäsche nicht angreift. Auf dem Display erscheint die Stufe . Max. Beladungsmenge: 2,5 kg

Anti-Geruch: verwenden Sie das Programm 3 für das Waschen von Kleidung mit unangenehmen Gerüchen (z.B. Zigarettenrauch, Schweiß, Frittirtes). Das Programm ist speziell für die Entfernung von Gerüchen ausgerichtet und schont die Fasern. Wir empfehlen, Synthetik oder Mischwäsche bei 40°, widerstandsfähige Baumwolle bei 60° zu waschen.

Feine Wäsche: verwenden Sie das Programm 4 für das Waschen von feiner Wäsche. Wir empfehlen, die Teile vor dem Waschen auf links zu ziehen. Um bessere Ergebnisse zu erzielen, wird für die Reinigung von Feinwäsche die Verwendung von Flüssigwaschmittel empfohlen.

Indem ausschließlich die zeitgesteuerte Trocknenfunktion ausgewählt wird, wird ein besonders schonendes Trocknungsprogramm mit leichten Bewegungen und einem Luftstrom mit optimal angepasster Temperatur ausgeführt.

Die empfohlenen Programmdauern sind:

- 1 kg Synthetik --> 150 min.
- 1 kg Synthetik und Baumwolle --> 180 min.
- 1 kg Baumwolle --> 180 min.

Der Trocknungsgrad hängt von der Beladung und der Beschaffenheit des Gewebes ab.

Wolle: das Waschprogramm „Wolle“ dieser Waschmaschine wurde von der Woolmark Company für die Wäsche von mit „Handwäsche“ gekennzeichneten Wollkleidungsstücken getestet und anerkannt, vorausgesetzt die Wäsche erfolgt gemäß der Anweisungen auf Etikett des Kleidungsstück und den Angaben des Herstellers dieser Waschmaschine. (M1126)



Schnell 30' (programm 6) dieser Zyklus ist speziell für leicht verschmutzte Wäsche bei 30° (außer Wolle und Seide) mit maximaler Füllung von 3 kg in kurzer Zeit: er dauert nur 30 Minuten und spart so Energie und Zeit.

Bunte Wäsche: verwenden Sie das programm 10 für die Reinigung von hellen Kleidungsstücken. Das Programm wurde konzipiert, um die Leuchtkraft der Farben lange zu erhalten.

Eco Baumwolle 20° (programm 11) ideal für normalverschmutzte Baumwolle. Die auch mit kaltem Wasser erreichten Leistungen, vergleichbar mit einer Wäsche bei 40°, werden mechanisch erzielt. Die Trommel arbeitet mit wiederholten, kurz auf einander folgenden Beschleunigungen.

20° Mix-Fein (programm 12) ideal für durchschnittlich verschmutzte Mischwäsche (Baumwolle und Synthetik). Die guten Waschleistungen auch mit kaltem Wasser werden mechanisch erzielt. Die Trommel arbeitet mit wiederholten, gleichmäßigen Geschwindigkeitsänderungen.

Waschen&Trocknen 45': das programm 13 verwenden, um leicht verschmutzte Wäsche (Baumwolle und Synthetik) in kurzer Zeit zu waschen und zu trocknen. Mit diesem Programm können bis zu 1 kg in nur 45 Minuten gewaschen und getrocknet werden. Für ein optimales Resultat verwenden Sie Flüssigwaschmittel; behandeln Sie Bündchen, Kragen und Flecken vor.

Auffrischen (programm 14) ist der ideale Zyklus, um ohne Waschgang in 30 Minuten üble Gerüche, insbesondere Rauch, aus Baumwolle und Synthetik zu entfernen (max. 1,5 kg).

Bei Funktionsstörung: Bevor Sie sich an den Technischen Kundendienst wenden (siehe „Kundendienst“), vergewissern Sie sich zuerst, ob es sich nicht um eine Kleinigkeit handelt, die Sie selbst beheben können. Ziehen Sie hierzu nachstehendes Verzeichnis zu Rate.

Störungen:

Der Waschvollautomat schaltet sich nicht ein.

Der Waschgang startet nicht.

Der Waschvollautomat lädt kein Wasser. Die Kontrollleuchte der ersten Waschphase blinkt (rasches Blinklicht).

Der Waschvollautomat lädt laufend Wasser und pumpt es laufend ab.

Der Waschvollautomat pumpt nicht ab und schleudert nicht.

Der Waschvollautomat vibriert zu stark während des Schleuderns.

Der Waschvollautomat ist undicht.

Die Kontrollleuchten „Funktionen“ und „Start/Pause“ blinken und eine der Kontrollleuchten der „laufenden Programmphase“ sowie die für „Gerätetür gesperrt“ bleiben eingeschaltet.

Es bildet sich zu viel Schaum.

Push&Wash+Dry lässt sich nicht aktivieren.

Der Wäschetrockner trocknet nicht.

Mögliche Ursachen / Lösungen:

- Der Stecker steckt nicht in der Steckdose, oder nicht so, dass der Kontakt hergestellt wird.
- Der Strom ist ausgefallen.
- Die Gerätetür wurde nicht vorschriftsmäßig geschlossen.
- Die ON/OFF-Taste wurde nicht gedrückt.
- Die Taste START/PAUSE wurde nicht gedrückt.
- Der Wasserhahn ist nicht aufgedreht.
- Der Zufuhrschlauch ist nicht am Wasserhahn angeschlossen.
- Der Schlauch ist geknickt.
- Der Wasserhahn ist nicht aufgedreht.
- Es ist kein Wasser da.
- Der Druck ist unzureichend.
- Die Taste START/PAUSE wurde nicht gedrückt.
- Der Ablaufschlauch befindet sich nicht auf der vorgeschriebenen Höhe, d.h. 65 – 100 cm vom Boden (siehe „Installation“).
- Das Schlauchende liegt unter Wasser (siehe „Installation“).
- Der Abfluss der Hausinstallation wurde nicht mit einer Entlüftungsöffnung versehen. Konnte die Störung durch diese Kontrollen nicht behoben werden, dann drehen Sie den Wasserhahn zu, schalten das Gerät aus und fordern den Kundendienst an. Falls Sie in einer der obersten Etagen eines Gebäudes wohnen, kann es vorkommen, dass sich im Syphon ein Vakuum bildet, und der Waschvollautomat ständig Wasser ansaugt und wieder abpumpt. Zur Lösung dieser Probleme bietet der Handel spezielle Syphonventile.
- Das Programm siehe kein Abpumpen vor: Bei einigen Programmen muss es von Hand eingestellt werden (siehe „Starten eines Waschprogramms“).
- Der Ablaufschlauch ist geknickt (siehe „Installation“).
- Die Ablaufleitung ist verstopft.
- Die Trommel wurde bei der Installation nicht korrekt befreit (siehe „Installation“).
- Der Waschvollautomat steht nicht eben (siehe „Installation“).
- Der Waschvollautomat steht zu eng zwischen der Wand und einem Möbel (siehe „Installation“).
- Der Zulaufschlauch wurde nicht ordnungsgemäß aufgeschraubt (siehe „Installation“).
- Die Waschlappenschublade ist verstopft (zur Reinigung siehe „Wartung und Pflege“).
- Der Ablaufschlauch ist nicht korrekt befestigt (siehe „Installation“).
- Schalten Sie das Gerät aus und ziehen Sie den Netzstecker; warten Sie daraufhin ca. 1 Minute und schalten Sie es wieder ein.
Bleibt die Störung bestehen, kontaktieren Sie bitte den Kundendienst.
- Das Waschmittel ist für Wäschetrockner nicht geeignet (es muss mit der Aufschrift „Für Wäschetrockner“, „Für Handwäsche und Wäschetrockner“ usw. versehen sein).
- Es wurde zu hoch dosiert.
- Nach dem Einschalten der Maschine wurde eine andere Funktion als Push&Wash+Dry ausgewählt. Schalten Sie die Maschine aus und drücken Sie die Taste Push&Wash+Dry.
- Der Stecker steckt nicht in der Steckdose, oder nicht so, dass der Kontakt hergestellt wird.
- Der Strom ist ausgefallen.
- Das Füllfenster ist nicht richtig geschlossen.
- Alle Kontrollleuchten bezüglich des Trocknungsvorgangs sind ausgeschaltet.

Kundendienst

DE

Bevor Sie sich an den Kundendienst wenden:

- Sollten einige Kontrollen vorab selbst durchgeführt werden (*siehe „Störungen und Abhilfe“*);
- Starten Sie daraufhin das Programm erneut, um sicherzustellen, dass die Störung auch wirklich behoben wurde;
- Ist dies nicht der Fall, dann kontaktieren Sie den autorisierten Kundendienst unter der auf dem Garantieschein befindlichen Telefonnummer.

! Wenden Sie sich auf keinen Fall an nicht autorisierte Techniker.

Geben Sie bitte Folgendes an:

- die Art der Störung;
- das Maschinenmodell (Mod.);
- die Seriennummer (S/N).

Diese Daten entnehmen Sie bitte dem auf der Rückseite des Waschtrockner und auf der Vorderseite (Gerätetür öffnen) befindlichen Typenschild.

Instruções para utilização

Máquina de lavar e secar roupa

!  Este símbolo serve para lembrar-te de ler este manual de instruções.

PT

PT

Português

XWDA 751480

Sumário

Instalação, 26-27

Desembalar e nivelar
Ligações hidráulicas e eléctricas
Primeiro ciclo de lavagem
Dados técnicos

Manutenção e cuidados, 28

Interromper a alimentação de água e de corrente eléctrica
Limpar a máquina de lavar e secar roupa
Limpar a gaveta dos detergentes
Cuidados com a porta de vidro e o tambor
Limpar a bomba
Verificar o tubo de alimentação de água

Precauções e conselhos, 29

Segurança geral
Sistema de balanceamento da carga
Eliminação

Descrição da máquina de lavar e secar roupa e como iniciar um programa, 30-31

Painel de comandos
Indicadores luminosos
Iniciar um programa

Programas, 32

Push&Wash+Dry
Tabela dos programas

Personalizações, 33

Selecione a temperatura
Programar a secagem
Opções de lavagem

Detergentes e roupa, 34

Gaveta dos detergentes
Ciclo para branquear
Preparar a roupa
Peças especiais

Anomalias e soluções, 35

Assistência, 36

Instalação

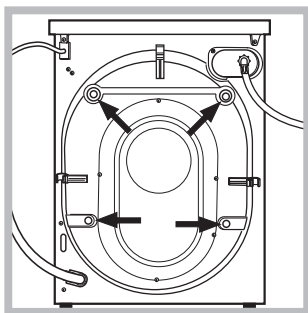
PT

! É importante guardar este livrete para poder consultá-lo a qualquer momento. Se a máquina for vendida, cedida ou transferida, certifique-se que este livrete permaneça com a máquina para informar o novo proprietário acerca do seu funcionamento e das respectivas advertências. ! Leia com atenção estas instruções: há importantes informações acerca da instalação, da utilização e da segurança.

Desembalar e nivelar

Desembalar

1. Tire a máquina de lavar e secar roupa da embalagem.
2. Verifique se a máquina de lavar e secar roupa sofreu danos no transporte. Se estiver danificada não efectue a sua ligação e contacte o revendedor.

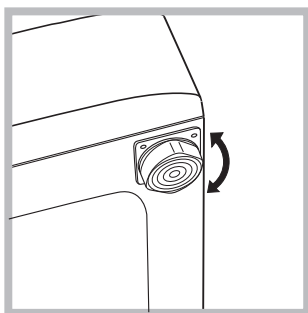


3. Tire os 4 parafusos de protecção para o transporte e a borrachinha com o respectivo calço, situados na parte traseira (veja a figura).

4. Tape os furos com as tampas em plástico fornecidas.
5. Guarde todas as peças: se for necessário transportar a máquina de lavar e secar roupa, terão de ser montadas outra vez. ! Embalagens não são brinquedos para as crianças!

Nivelamento

1. Instale a máquina de lavar e secar roupa sobre um pavimento plano e rígido, sem encostá-la em paredes, móveis nem outro.

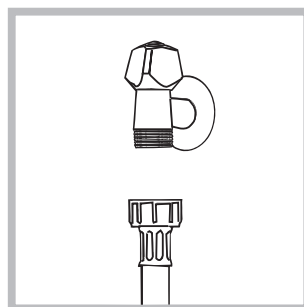


2. Se o pavimento não for perfeitamente horizontal, para compensar qualquer irregularidade, desatarraxe ou atarraxe os pés dianteiros (veja a figura); ; o ângulo de inclinação, medido no plano de trabalho, não deve ultrapassar 2°.

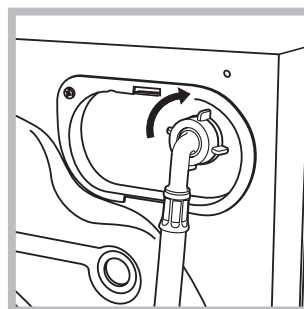
Um cuidadoso nivelamento dá estabilidade à máquina e evita vibrações, ruídos e deslocamentos durante o funcionamento. Se houver tapete ou alcatifa, regule os pés De modo a que debaixo da máquina de lavar e secar roupa haja um espaço suficiente para ventilação.

Ligações hidráulicas e eléctricas

Ligação do tubo de alimentação da água



1. Realize a ligação do tubo de alimentação parafusando-o a uma torneira de água fria com bocal de rosca de 3/4 gás(veja a figura). Antes de realizar esta ligação, haja a água escorrer até estar límpida.



2. Ligue o tubo de alimentação na máquina de lavar e secar roupa atarraxando-o no apropriado fornecimento da água, na parte traseira, em cima à direita (veja a figura).

3. Tome cuidado para o tubo não ser dobrado nem esmagado.

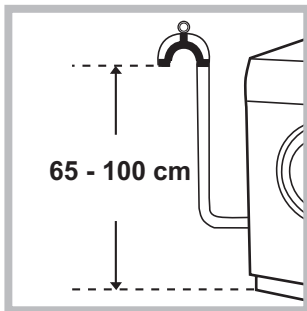
! A pressão hídrica da torneira deve ser entre os valores da tabela dos Dados técnicos (veja a página ao lado).

! Se o comprimento do tubo de alimentação não for suficiente, contacte uma oficina especializada ou um técnico autorizado.

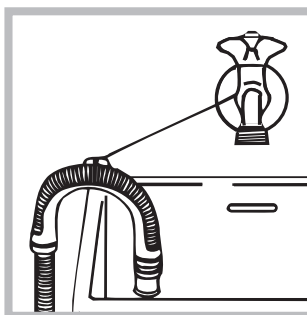
! Nunca utilize tubos já usados.

! Utilize aqueles fornecidos com a máquina.

Ligação do tubo de descarga



Ligue o tubo de descarga, sem dobrá-lo, a uma conduta de descarga ou a uma descarga na parede situada entre 65 e 100 cm de altura do chão;



ou coloque na beira de um lavabo ou de uma banheira, prenda na torneira a guia fornecida (veja a figura). A ponta solta do tubo de descarga não deve permanecer emergida na água.

! É desaconselhado empregar tubos de extensão; mas se for indispensável, a extensão deve ter o mesmo diâmetro do tubo original e não medir mais de 150 cm de comprimento.

Ligação eléctrica

Antes de ligar a ficha na tomada eléctrica, certifique-se que:

- a tomada tenha uma ligação à terra e seja nos termos da legislação;
- a tomada tenha a capacidade para suportar a carga máxima de potência da máquina, indicada na tabela dos Dados técnicos (veja ao lado);
- a tensão de alimentação seja entre os valores indicados na tabela dos Dados técnicos (veja ao lado);
- a tomada seja compatível com a ficha da máquina de lavar e secar roupa. Se não for, substitua a tomada ou a ficha.

! Esta máquina de lavar e secar roupa não deve ser instalada ao aberto, nem mesmo abrigada, porque é muito perigoso deixá-la exposta à chuva e às tempestades.

! Depois de ter instalado a máquina de lavar e secar roupa, o acesso à tomada eléctrica deve ser fácil.

! Não empregue extensões nem fichas múltiplas.

! O cabo não deve ser dobrado nem apertado.

! O cabo de alimentação deve ser substituído somente por técnicos autorizados.

Atenção! O fabricante declina toda a responsabilidade se estas regras não forem respeitadas.

Primeiro ciclo de lavagem

Depois da instalação, antes de usar, efectue um ciclo de lavagem com detergente mas sem roupa, defina o programa "Auto Limpeza" (veja "Limpar a máquina de lavar e secar roupa").

Dados técnicos

Modelo	XWDA 751480
Medidas	largura 59.5 cm altura 85 cm profundidade 54 cm
Capacidade	de 1 a 7 kg para a lavagem de 1 a 5 kg para a secagem
Ligações eléctricas	veja a placa das características técnicas colocada na máquina
Ligações hídricas	pressão máxima 1 MPa (10 bar) pressão mínima 0.05 MPa (0.5 bar) capacidade do tambor 52 litros
Velocidade da centrifugação	até 1.400 rotações por minuto

Programas de controlo segundo a directiva EN 50229

lavagem: programa 8; temperatura 60°C; realizado com carga de 7 kg.

secagem: a secagem da carga menor (2kg) deve ser efectuada seleccionando o nível de secagem "☁", a carga da máquina de lavar roupa deve ser composta por 2 lençóis, 1 fronha e 2 toalhas de rosto; a secagem da carga restante deve ser efectuada seleccionando o nível de secagem "☁".



Esta aparelhagem é em conformidade com as seguintes Directivas Comunitárias:

- 2004/108/CE (Compatibilidade Electromagnética)
- 2012/19/EU
- 2006/95/CE (Baixa Tensão)

Manutenção e cuidados

PT

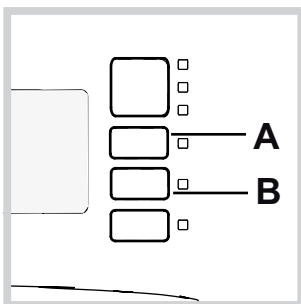
Interromper a alimentação de água e de corrente eléctrica

- Feche a torneira da água depois de cada lavagem. Desta maneira diminuiu-se o desgaste do sistema hidráulico da máquina de lavar e secar roupa e elimina-se o risco de inundação.
- Tire a ficha da tomada eléctrica quando for limpar a máquina de lavar e secar roupa e durante os trabalhos de manutenção.

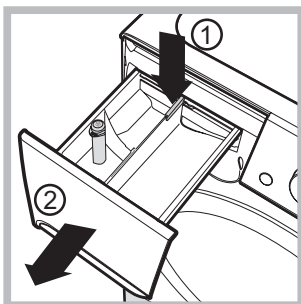
Limpar a máquina de lavar e secar roupa

- A parte externa e as peças em borracha podem ser limpas com um pano molhado com água morna e sabão. Não empregue solventes nem abrasivos.
- A máquina de lavar e secar roupa dispõe de um programa de **“Auto Limpeza”** das suas partes internas que **deve ser efectuado sem carga alguma dentro do tambor**.

O detergente (na quantidade equivalente ao 10% daquela recomendada para peças pouco sujas) ou aditivos específicos para a limpeza da máquina de lavar e secar roupa, poderão ser utilizados como coadjuvantes no programa de lavagem. Recomenda-se efectuar o programa de limpeza a cada 40 ciclos de lavagem. Para activar o programa, pressione contemporaneamente as teclas **A** e **B** por 5 segundos (ver figura). O programa iniciará automaticamente e terá uma duração de aproximadamente 70 minutos. Para terminar o ciclo, carregar no botão START/PAUSE button.



Limpar a gaveta dos detergentes



Para extrair a gaveta, pressione a lingueta (1) e puxe para fora (2) (veja a figura). Lave-a com água corrente; esta limpeza deve ser efectuada frequentemente.

Cuidados com a porta de vidro e o tambor

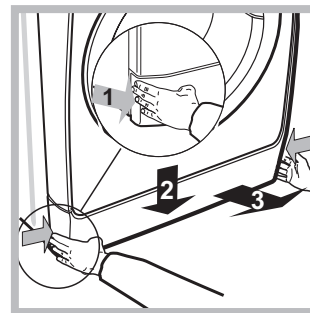
- Deixe a porta sempre entreaberta para evitar que se formem odores desagradáveis.

Limpar a bomba

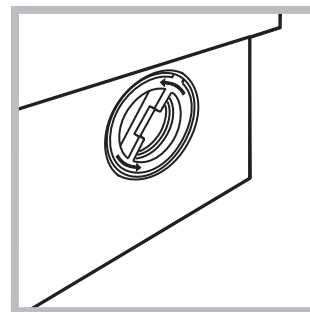
Esta máquina de lavar e secar roupa é equipada com uma bomba com limpeza automática que não precisa de operações de manutenção. Entretanto pode acontecer que pequenos objectos (moedinhas, botões) caiam na pré-câmara que protege a bomba, situada na parte inferior da mesma.

! Certifique-se que o ciclo de lavagem tenha terminado e tire a ficha da tomada.

Para obter acesso à pré-câmara:



1. remova o painel de cobertura no lado anterior da máquina empurrando para o centro, em seguida empurre para baixo de ambos os lados e remova-o (veja as figuras).



2. desenrosque a tampa girando-a no sentido anti-horário (veja a figura). é normal que perca um pouco de água;

3. limpe o interior com cuidado;
4. enrosque outra vez a tampa;
5. monte outra vez o painel, certifique-se, antes de empurrá-la na máquina, que os ganchos foram colocados nas respectivas ranhuras.

Verificar o tubo de alimentação de água

Verifique o tubo de alimentação pelo menos uma vez por ano. Se houver rachaduras ou fendas, será necessário substituí-lo: durante as lavagens as fortes pressões podem provocar repentinas quebras.

! Nunca utilize tubos já usados.

! Esta máquina de lavar e secar roupa foi projectada e fabricada em conformidade com os regulamentos internacionais de segurança. Estas advertências são fornecidas por razões de segurança e devem ser lidas com atenção.

Segurança geral

- Este aparelho foi projectado exclusivamente para um uso doméstico.
 - O aparelho não deve ser utilizado por pessoas (incluindo crianças) com capacidades físicas, sensoriais ou mentais reduzidas ou sem experiência e conhecimentos, salvo se supervisionadas ou se tiverem recebido instruções sobre a utilização do dispositivo por parte de uma pessoa responsável pela sua segurança. As crianças devem ser mantidas sob vigilância para evitar que brinquem com a máquina.
 - Não secar roupas não lavadas.
 - As roupas sujas de substâncias como o óleo de fritura, acetona, álcool, gasolina, querosene, produtos tira-manchas, cera e substâncias para removê-la, devem ser lavados com água quente com uma quantidade superior de detergente antes de serem secas na máquina de secar roupa.
 - Objectos como a borracha expandida (espuma de látex), toucas para banho, materiais têxteis impermeáveis, artigos com um lado de borracha ou roupas e travesseiros que possuem partes de espuma de látex não devem ser secos na máquina de secar roupa.
 - Produtos para amaciar ou similares devem ser utilizados em conformidade com as instruções do fabricante.
 - A parte final de um ciclo da máquina de secar roupas ocorre sem calor (ciclo de arrefecimento) para garantir que os produtos não sejam danificados.
- ATENÇÃO:** Nunca desligue a máquina de secar roupas antes que tenha terminado o programa de secagem. Nesse caso, retire rapidamente todas as peças de roupa e pendure-as para que se esfriem rapidamente.
- Não toque na máquina com os pés descalços nem com as mãos ou os pés molhados ou húmidos.
 - Não puxe o cabo eléctrico para tirar a ficha da tomada, pegue a ficha mesmo.
 - Não toque a água de descarga, que poderá chegar a temperaturas altas.
 - Em nenhum caso force a porta para abri-la: poderá danificar o mecanismo de segurança que a protege contra aberturas acidentais.
 - Se houver avarias, em nenhum caso mexa nos mecanismos internos para tentar reparar.
 - Verifique sempre que criança não se aproximem da máquina a funcionar.
 - Se for preciso deslocar a máquina, são precisas pelo menos duas ou três pessoas, com a máxima atenção. Nunca sozinho porque a máquina é muito pesada.
 - Antes de colocar a roupa controle que o tambor esteja vazio.

- A porta da máquina a enxugar tende a esquentar-se.
- Não enxugue roupa que tenha sido lavada com solventes inflamáveis (p. ex. trerimbitina).
- Não enxugue espuma de borracha nem elastômeros análogos.
- Assegure-se que quando estiver a enxugar, a torneira da água esteja aberta.

Sistema de balanceamento da carga

Antes de cada centrifugação, para evitar vibrações excessivas e para distribuir a carga em modo uniforme, o tambor efectua algumas rotações a uma velocidade levemente superior àquela de lavagem. Se no fim de repetidas tentativas a carga ainda não estiver correctamente balanceada, a máquina efectuará a centrifugação com uma velocidade inferior àquela prevista. No caso de um excessivo desequilíbrio, a máquina de lavar e secar roupa efectuará a distribuição ao invés da centrifugação. Para favorecer uma melhor distribuição da carga e o seu correcto balanceamento, aconselha-se misturar peças grandes com peças pequenas.

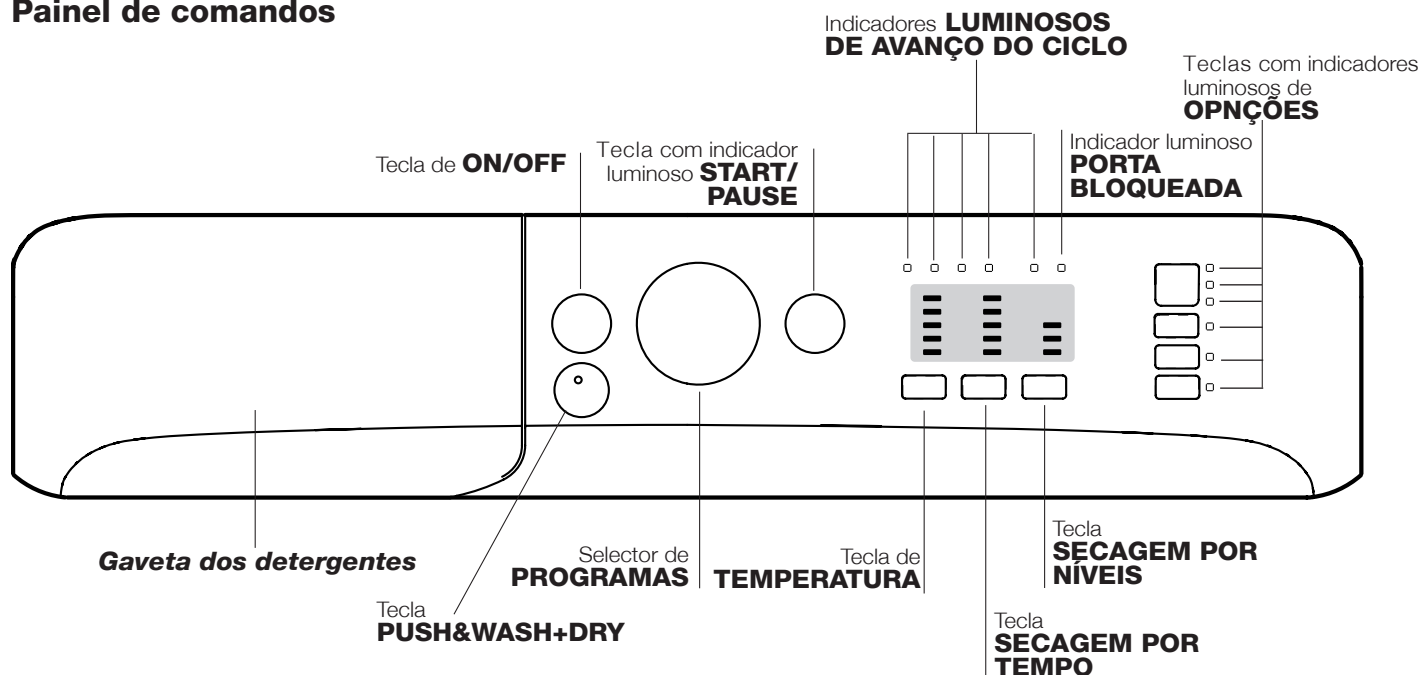
Eliminação

- Eliminação do material de embalagem: obedeça os regulamentos locais, de maneira que as embalagens possam ser reutilizadas.
- A directiva Europeia 2012/19/EU relativa aos resíduos de equipamentos eléctricos e electrónicos prevê que os electrodomésticos não devem ser eliminados no normal fluxo dos resíduos sólidos urbanos. Os aparelhos que deixaram de ser utilizados devem ser recolhidos separadamente para otimizar a taxa de recuperação e reciclagem dos materiais que os compõem e impedir potenciais danos à saúde e ao meio ambiente. O símbolo do contentor de lixo barrado com uma cruz está presente em todos os produtos para lembrar o dever de recolha selectiva. Para mais informações sobre o correcto desmantelamento dos electrodomésticos, contacte o serviço público especializado ou os revendedores.

Descrição da máquina de lavar e secar roupa e como iniciar um programa

PT

Painel de comandos



Gaveta dos detergentes: para colocar detergentes e aditivos (veja “Detergentes e roupa”).

Tecla de **ON/OFF:** para ligar e desligar a máquina de lavar e secar roupa.

Tecla **PUSH&WASH+DRY:** (veja “Programas”).

Selector de **PROGRAMAS:** para programar os programas. Durante o programa o selector permanece parado.

Teclas com indicadores luminosos de **OPÇÕES:** para seleccionar as funções disponíveis. O indicador luminoso correspondente à função seleccionada permanecerá aceso.

Tecla de **TEMPERATURA:** para definir a temperatura ou a lavagem a frio (veja “Personalizações”).

Tecla **SECAGEM POR TEMPO:** pressione para seleccionar o tempo de secagem pretendido; o tempo de secagem é indicado pelos indicadores luminosos ao lado.

Tecla **SECAGEM POR NÍVEIS:** pressione para seleccionar os níveis de secagem pretendidos; o nível de secagem seleccionado é indicado pelos indicadores luminosos ao lado.

Indicadores **LUMINOSOS DE AVANÇO DO CICLO:** para seguir o estado do avanço do programa de lavagem.

Indicador luminoso **PORTA BLOQUEADA:** para saber se a porta de vidro pode ser aberta (veja a página ao lado).

Tecla com indicador luminoso **START/PAUSE:** para activar os programas ou interrompê-los momentaneamente.

Obs.: para colocar em pausa a lavagem em curso, carregar nesta tecla, o respectivo indicador luminoso ficará intermitente com uma luz laranja enquanto aquele da fase em curso ficará aceso fixo. Se o indicador **PORTA BLOQUEADA** estiver apagado, será possível abrir a porta de vidro (aguarde aproximadamente 3 minutos). Para fazer iniciar a lavagem do ponto em que foi interrompida, carregar novamente nesta tecla.

Modalidade de Stand by

Esta máquina de lavar e secar roupa, em conformidade com as novas normas sobre a economia energética, dispõe de um sistema de desligação automática (stand by) que entra em função aproximadamente 30 minutos depois, no caso de inutilização. Carregue brevemente no botão ON-OFF e aguarde até a reactivação da máquina.

Consumo em off-mode: 0,5 W

Consumo em Left-on: 8 W

Indicadores luminosos

Os indicadores luminosos fornecem informações importantes.

Vejamos o que significam:

Indicadores luminosos fase em curso

Uma vez seleccionado e iniciado o ciclo de lavagem desejado, os indicadores luminosos se acenderão progressivamente para indicar o estado de avanço:

Lavagem	
Enxaguamento	
Centrifugação/Descarga	
Secagem	
Final da Lavagem	END

Teclas função e respectivos indicadores luminosos

Ao seleccionar uma função o respectivo indicador luminoso se acenderá.

Se a função seleccionada não for compatível com o programa definido, o indicador luminoso se acenderá intermitente e a função não será activada.

Se a opção seleccionada não for compatível com a opção configurada anteriormente, a incompatibilidade será indicada com a intermitência do indicador luminoso junto com um sinal sonoro (3 bips) e será ativada apenas a segunda opção; o indicador luminoso da opção ativada ilumina-se.

Iniciar um programa

Programação rápida

- COLOCAR A ROUPA** Abrir a porta de vidro. Coloque a roupa dentro da máquina prestando atenção para não superar a carga máxima indicada na tabela dos programas na página seguinte.
- DOSAGEM DO DETERGENTE.** Extrair a gaveta e deitar o detergente nos específicos recipientes como explicado no parágrafo “Detergentes e roupa”.
- FECHAR A PORTA DE VIDRO.**
- Pressionar a tecla “Push&Wash+Dry” para iniciar o programa.

Programação tradicional

- Ligue a máquina de lavar e secar roupa, carregando na tecla ON/OFF. Todos os indicadores luminosos se acenderão por alguns segundos, em seguida ficarão acesos os indicadores relativos às configurações do programa seleccionado e o indicador luminoso START/PAUSE ficará intermitente.
- Coloque a roupa dentro da máquina e feche a porta.
- Seleccione mediante o selector de PROGRAMAS o programa que desejar.

Indicador luminoso porta bloqueada

O indicador luminoso aceso indica que a porta está trancada para impedir a aberturas; para abrir a porta é necessário que o indicador luminoso se apague (aguarde aproximadamente 3 minutos). Para abrir a porta durante a realização de um ciclo, carregar no botão START/PAUSE; se o indicador luminoso PORTA BLOQUEADA estiver apagado será possível abrir a porta.


4. Seleccione a temperatura de lavagem (veja as “Personalizações”).

5. Programar a secagem, se for necessário (veja as “Personalizações”).

6. Colocar detergentes e aditivos (veja “Detergentes e roupa”).

7. Seleccionar as funções desejadas.

8. Iniciar o programa carregando na tecla START/PAUSE e o respectivo indicador luminoso permanecerá aceso fixo de cor verde. Para anular o ciclo programado, colocar a máquina em pausa carregando na tecla START/PAUSE e escolher um novo ciclo.

9. No fim do programa, irá iluminar-se o indicador **END**. Quando o indicador PORTA BLOQUEADA  estiver apagado, será possível abrir a porta de vidro (aguarde aproximadamente 3 minutos). Retire a roupa lavada de dentro e deixe a porta entreaberta para deixar o tambor enxugar-se. Para desligar a máquina de lavar e secar roupa, mete na tecla de ON/OFF.

Programas

PT

Push&Wash+Dry

Esta função permite iniciar um ciclo automático de lavagem e secagem mesmo com a máquina desligada, sem ter de pressionar a tecla ON/OFF ou, depois de ligar a máquina, sem ter de accionar nenhuma outra tecla e/ou botão (caso contrário, o programa Push&Wash+Dry será desactivado). Para iniciar o ciclo Push&Wash+Dry, mantenha pressionado o botão durante 2 segundos. O indicador luminoso aceso indica que o ciclo foi activado. O ciclo de lavagem e secagem é ideal para peças em algodão e sintéticos, funcionando com uma temperatura de lavagem de 30 °C e uma velocidade máxima de centrifugação de 1000 rotações por minuto. Durante a secagem, a temperatura máxima atingida é cerca de 60 °C. No final do programa, a humidade residual encontra-se ao nível “”. Carga máx. recomendada 2,5 kg. (Duração ciclo 210’).

Como funciona?

1. Carregue a roupa (peças em algodão e/ou sintéticos) e feche a porta.
 2. Coloque o detergente e/ou os aditivos.
 3. Inicie o programa mantendo pressionada a tecla Push&Wash+Dry durante 2 segundos. O respectivo indicador luminoso ficará verde e a porta irá bloquear-se (símbolo porta bloqueada aceso).
- Obs.: No início do programa, a tecla Push&Wash+Dry activa um ciclo automático de lavagem e secagem não personalizável, aconselhado para algodão e sintéticos.
4. É possível utilizar o programa automático apenas para a lavagem, excluindo a secagem. Depois de pressionar a tecla Push&Wash+Dry, pressione a tecla de secagem ; o ícone de secagem de nível “” desliga-se. A carga máx. por lavagem é 3,5 kg (Duração ciclo 50’). Não é possível personalizar o programa.
- Para abrir a porta durante a realização de um ciclo automático, pressione o botão START/PAUSE; se o símbolo de porta bloqueada estiver apagado, será possível abrir a porta apenas durante a fase de lavagem. Pressione novamente o botão START/PAUSE para reiniciar o programa a partir do ponto em que foi interrompido.
5. No final do programa, irá acender-se o indicador END.

Tabela dos programas

Programas	Descrição do Programa	Temp. max. (°C)	Velocidade max. (rotações por minuto)	Secagem	Carga máxima para secagem (kg)	Detergentes e aditivos				Carga máxima para lavagem (kg)	Duração ciclo de lavagem
						Pré-lavagem	Lavagem	Amaciador	Água de Javel		
Especiais											
1	Sport	30°	600	●	3	-	●	●	-	3,5	55'
2	Escuros	30°	800	●	2,5	-	●	●	-	4	70'
3	Anti-odor (Algodão)	60°	1000	●	3,5	-	●	●	-	3,5	110'
3	Anti-odor (Sintéticos)	40°	1000	●	3	-	●	●	-	3,5	100'
4	Delicados	30°	0	●	1	-	●	●	-	1	80'
5	Lã: Para lã, cashmere, etc.	40°	800	●	1,5	-	●	●	-	1,5	70'
6	Rápido 30'	30°	800	●	3	-	●	●	-	3	30'
Standard											
7	Algodão com pré-lavagem: Peças brancas extremamente sujas.	90°	1400	●	5	●	●	●	-	7	170'
8	Programas de lavagem normal de algodão 60° (1): Brancos e coloridos resistentes muito sujos.	60° (Max. 90°)	1400	●	5	-	●	●	-	7	170'
9	Sintéticos: Coloridos resistentes muito sujos.	60°	800	●	3	-	●	●	-	3,5	110'
10	Coloridos (2)	40°	1400	●	5	-	●	●	-	7	100'
11	Eco algodão 20°: Brancos pouco sujos e cores delicadas.	20°	1400	●	5	-	●	●	-	7	170'
12	Eco sintéticos	20°	800	●	5	-	●	●	-	7	120'
Automático											
13	Lava e Seca 45'	30°	1400	●	1	-	●	●	-	1	45'
14	AirFresh	-	-	●	1,5	-	-	-	-	-	30'
Parciais											
	Enxaguamento/Água de Javel	-	1400	●	5	-	-	●	●	7	50'
	Centrifugação + Descarga	-	1400	●	5	-	-	-	-	7	10'

A duração do ciclo indicada no visor ou no manual é uma estimativa calculada com base nas condições padrão. O tempo efectivo poderá variar a depender de vários factores, tais como a temperatura e a pressão da água em entrada, a temperatura ambiental, a quantidade de detergente, a quantidade e o tipo de carga, o balanceamento da carga e as opções adicionais seleccionadas.

Para todos Test Institutes:

- 1) Programa de controlo segundo a directiva EN 50229: configurar o programa 8 com uma temperatura 60°C.
- 2) Programa longo para algodão: configurar o programa 10 com uma temperatura 40°C.

Selecione a temperatura

Pressionando a tecla TEMPERATURA para seleccionar a temperatura de lavagem (veja a *Tabela dos programas*).

A temperatura pode ser diminuída até a lavagem a frio (❄️). A máquina impedirá automaticamente a configuração de uma temperatura superior à máxima prevista para cada um dos programas.

! Excepção: seleccionando o programa 8 a temperatura pode ser aumentada até a 90°.

Programar a secagem

Existem dois tipos de secagem, por **tempo** e por **níveis**.

Pressionando a tecla SECAGEM POR TEMPO ⏱️, é configurada a duração de secagem pretendida: 40' - 90' - 120' - 150' - 180'.

Ao pressionar a tecla pela primeira vez, o tempo seleccionado será o mínimo permitido para o programa configurado.

Quando a máquina inicia a fase de secagem, após pressionar novamente a tecla SECAGEM POR TEMPOS, será possível reduzir a duração da secagem anteriormente configurada. Os indicadores luminosos indicam a nova duração de secagem seleccionada e o tempo restante terá em conta o tempo já decorrido.

Pressionando a tecla SECAGEM POR NÍVEIS 📏, é configurado o nível de secagem pretendido:

Guardar 📦: adapto para as peças que devem ser guardadas no armário sem que seja necessário passar a ferro.

Estender 🧺: ideal para as peças que não precisam secar completamente.

Engomar 🧻: indicado para as peças que em seguidas devem ser passadas a ferro. O nível de humidade resíduo amacia as dobras e facilita a sua remoção.

Caso a carga de roupa para lavar e secar for excepcionalmente superior ao máximo permitido, efectuar a lavagem e após o programa ter acabado, dividir a carga e colocar novamente uma parte no cesto. Cumprir com as instruções para efectuar "Só secagem". Repetir as mesmas operações para a carga que ficou. No final da secagem efectua-se sempre um período de resfriamento.

Nota: se todos os indicadores luminosos relativos à secagem estiverem desligados, a máquina **não** irá efectuar o ciclo de secagem.

Só secagem

Pressione a tecla 🧺 para executar apenas a secagem. Depois de seleccionar o programa pretendido compatível com o tipo de roupa a lavar, pressione a tecla 🧺 para excluir a fase de lavagem e será activada a secagem com o nível máximo previsto para o programa seleccionado. É possível modificar o configurar o nível ou a duração da secagem pressionando as teclas de secagem 📏, ⏱️ (não é compatível com os programas 13 e 14).

Opções de lavagem

As várias funções de lavagem da máquina de lavar e secar roupa possibilitam obter-se a limpeza e o branco que desejar. Para activar as funções:

1. mete na tecla relativa à função desejada;
2. o respectivo indicador luminoso acende-se para avisar que a função está activada.

Observação: Se um indicador luminoso acender-se intermitente, significa que a respectiva função não pode ser seleccionada para o programa definido.

🧼 Anti-manchas

Esta opção permite seleccionar o tipo de sujidade de modo a adaptar o ciclo de forma ideal para a remoção das manchas. Os tipos de sujidade são:

- 🍷 **Alimentos**, para manchas de alimentos e bebidas, por exemplo.
- 🧴 **Trabalho**, para manchas de óleo e tinta, por exemplo.
- 🌿 **Exterior**, para manchas de lama e erva, por exemplo.

! A duração do ciclo de lavagem varia em função do tipo de sujidade seleccionado.

! Não pode ser activada nos programas 1-2-3-4-5-6-7-10-11-12-13-14-🧺📏.

½🌀

Carregando nesta tecla reduz-se a velocidade de centrifugação.

! Não pode ser activada nos programas 4-13-14.

🧼 Enxaguamento extra

Seleccionando esta função aumenta-se a eficácia da enxaguamento e garante-se a máxima remoção do detergente. É útil para quem tem a pele particularmente sensível.

! Não pode ser activada nos programas 2-4-6-13-14-🧺.

Tabela dos tempos de Secagem (Valores indicativos)

Tipo de tecido	Tipo de caga	Carga máx. (kg.)	Guardar 📦	Estender 🧺	Engomar 🧻
Algodão	Peças de vários tamanhos, Toalhas felpudas	5	250	210	190
Sintéticos	Lençóis, Camisas, Pijamas, peúgas etc.	3	180	130	115
Lã	Camisas, blusas, etc.	1,5	155	135	115

Detergentes e roupa

PT

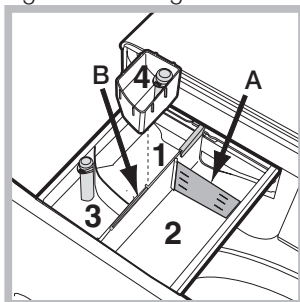
Gaveta dos detergentes

O bom resultado da lavagem depende também do emprego da dose certa de detergente: com excessos não se lava de maneira mais eficaz, mas contribui-se para formar crostas nas peças internas da máquina de lavar e secar roupa e poluir o meio ambiente.

! Não use detergentes para lavagem à mão, porque formam espuma demais.

! Usar detergentes em pó para roupas de algodão brancas e para a pré-lavagem e para lavagens com temperatura superior aos 60°C.

! Seguir as indicações fornecidas pelo produtor na embalagem do detergente.



Tire a gaveta dos detergentes e deite o detergente ou o aditivo da seguinte maneira:

Gaveta 1: Detergente para pré-lavagem (em pó)

Antes de deitar detergente verifique se está colocada a gaveta adicional 4.

Gaveta 2: Detergente para lavagem (em pó ou líquido)

No caso do uso de detergente líquido, aconselha-se usar o recipiente **A** fornecido com o aparelho para uma correta dosagem. Para o uso do detergente em pó, coloque o recipiente na cavidade **B**.

Gaveta 3: Aditivos (para amaciar etc.)

O amaciador não deve ultrapassar o nível "máx" indicado no perno central.

gaveta adicional 4: Água de Javel

Ciclo para branquear

Insira a gaveta adicional 4, fornecida, no compartimento 1. Quando deitar lixívia, não ultrapasse o nível "máx" indicado no perno central. Para branquear, deite a lixívia na gaveta adicional 4 e configure o programa

! A lixívia tradicional pode ser utilizada para tecidos resistentes brancos, enquanto a delicada pode ser utilizada para tecidos coloridos, sintéticos e para lã.

Preparar a roupa

- Divida a roupa em função:
 - do tipo de tecido / do símbolo na etiqueta.
 - as cores: separe as peças coloridas das brancas.
- Esvazie as algebeiras e verifique se há botões soltos.
- Não ultrapasse os valores indicados que se referem ao peso da roupa enxuta: veja a "Tabela dos programas".

Quanto pesa a roupa?

- 1 lençol 400 - 500 g.
- 1 fronha 150 - 200 g.
- 1 toalha de mesa 400 - 500 g.
- 1 roupão 900 - 1.200 g.
- 1 toalha de rosto 150 - 250 g.

Peças especiais

Sport (programa 1) foi estudado para lavar tecidos de vestuário desportivo (fatos de treino, calções, etc.) pouco sujos; para obter os melhores resultados, recomenda-se não superar a carga máxima indicada na "Tabela dos programas". Recomenda-se o uso de detergente líquido, na dose adequada para a meia carga.

Escuros: utilizar o ciclo 2 para a lavagem de peças escuras. O programa foi estudado para preservar no tempo a duração das cores escuras. Para obter melhores resultados, recomenda-se o uso de detergente líquido, preferivelmente para peças escuras.

Ao seleccionar a função de secagem, no final da lavagem é executada automaticamente uma secagem delicada que protege as cores das peças de roupa. No display surge o nível "L". Carga máx.: 2,5 kg.

Anti-odor: utilize o programa 3 para remover maus cheiros da roupa (por exemplo, fumo, suor, fritos). O programa foi estudado para remover os maus cheiros, preservando a fibras dos tecidos. É aconselhável lavar a 40° as peças sintéticas ou cargas mistas e a 60° os tecidos em algodão resistente.

Delicados: utilize o programa 4 para a lavagem de peças muito delicadas. É aconselhável colocar as peças do avesso antes da lavagem. Para obter melhores resultados, recomenda-se o uso de detergente líquido para peças delicadas.

Ao seleccionar a função de secagem exclusivamente a tempo, no final da lavagem é executada uma secagem particularmente delicada, graças a uma movimentação ligeira e a um jacto de ar a uma temperatura adequadamente controlada.

Os tempos aconselhados são:

- 1 kg de sintético --> 150 min.
- 1 kg de sintético e algodão --> 180 min.
- 1 kg de algodão --> 180 min.

O grau de secagem dependerá da carga e da composição do tecido.

Lã: o ciclo de lavagem "Lã" desta máquina de lavar e secar roupa foi testado e aprovado pela Woolmark Company para a lavagem de vestuário em lã classificado como "lavável à mão", desde que a lavagem seja executada de acordo com as instruções indicadas na etiqueta da peça e com as indicações fornecidas pelo produtor da máquina de lavar e secar roupa. (M1126)



Rápido 30' (programa 6) O ciclo 30' foi estudado para lavar peças pouco sujas a 30° (excluindo lã e seda), com uma carga máxima de 3 kg, em pouco tempo: dura apenas 30 minutos e permite poupar energia e tempo.

Coloridos: utilizar o ciclo 10 para a lavagem de peças de cor clara. O programa foi estudado para preservar no tempo a luminosidade das cores.

Eco algodão 20° (programa 11) ideal para cargas de algodão sujas. Os bons desempenhos mesmo a frio, comparáveis a uma lavagem a 40°, são garantidos por uma acção mecânica que trabalha com alterações de velocidade em picos repetidos e aproximados.

Eco sintéticos (programa 12) ideal para cargas mistas (algodão e sintéticos) de sujidade média. Os bons desempenhos de lavagem mesmo a frio são garantidos por uma acção mecânica que trabalha com alterações de velocidade em intervalos médios e determinados.

Lava e Seca 45': utilizar o programa 13 para lavar e secar as peças (Algodão e Sintéticos) pouco sujas em pouco tempo. Seleccionando este ciclo é possível lavar e secar até 1 kg de roupa em apenas 45 minutos. Para obter os melhores resultados, utilize um detergente líquido; pré-tratar os punhos, colarinhos e manchas.

AirFresh (programme 14) é o ciclo ideal para refrescar e remover em 30' os maus cheiros da roupa em algodão e sintética (máx 1,5 kg), em especial o fumo, sem a fase de lavagem.

Pode acontecer que a máquina de lavar e secar roupa não funcione. Antes de telefonar para a Assistência Técnica (veja “Assistência”), verifique se não se trata de um problema fácil de resolver com ajuda da seguinte lista.

Anomalias:

A máquina de lavar e secar roupa não liga.

O ciclo de lavagem não inicia.

A máquina de lavar e secar roupa não carrega a água (o indicador luminoso da primeira fase de lavagem pisca rapidamente).

A máquina de lavar e secar roupa carrega e descarrega água continuamente.

A máquina de lavar e secar roupa não descarrega ou nem realiza centrifugação.

A máquina de lavar e secar roupa vibra muito durante a centrifugação.

Da máquina de lavar e secar roupa está a perder água.

Os indicadores luminosos das “opções” e o indicador luminoso de “START/PAUSE” piscam e um dos indicadores da “fase em curso” e de “porta bloqueada” ficam acesos fixos.

Está a formar-se demasiada espuma.

O Push&Wash+Dry não é ativado.

A Máquina não seca.

Possíveis causas / Solução:

- A ficha não está colocada na tomada eléctrica, ou não é suficiente para haver contacto.
- Em casa não há corrente.

- A porta de vidro não está bem fechada.
- O botão ON/OFF não foi pressionado.
- O botão START/PAUSE não foi pressionado.
- A torneira da água não está aberta.

- O tubo de alimentação de água não está ligado na torneira.
- O tubo está dobrado.
- A torneira da água não está aberta.
- Está a faltar água em casa.
- Não há suficiente pressão.
- O botão START/PAUSE não foi pressionado.

- O tubo de descarga não está instalado entre 65 e 100 cm de altura do chão (veja “Instalação”).
- A ponta do tubo de descarga está imersa na água (veja “Instalação”).
- Da descarga na parede não foi sangrado o ar.

Se depois destas verificações o problema não for resolvido, feche a torneira da água, desligue a máquina de lavar e secar roupa e chame a assistência técnica. Se a morada encontrar-se nos últimos andares de um edifício, é possível que aconteçam fenómenos de sifão por causa dos quais a máquina de lavar e secar roupa carrega e descarrega água continuamente. Para eliminar este inconveniente, há a disposição no comércio apropriadas válvulas contra o efeito sifão.

- No programa não há descarga: com alguns programas será necessário iniciar a descarga manualmente.
- O tubo de descarga está dobrado (veja “Instalação”).
- A conduta de descarga está entupida.

- O tambor, no momento da instalação, não foi liberado correctamente (veja “Instalação”).
- A máquina não está nivelada (veja “Instalação”).
- A máquina está apertada entre móveis e parede (veja “Instalação”).

- O tubo de alimentação da água não está bem enroscado (veja “Instalação”).
- O gaveta dos detergentes está entupida (para limpá-la veja “Manutenção e cuidados”).
- O tubo de descarga não está fixado correctamente (veja “Instalação”).

- Desligue a máquina e tire a ficha da tomada, aguarde aproximadamente 1 minuto e volte a ligá-la.
- Se a anomalia persistir, contacte a Assistência Técnica.

- O detergente não é específico para máquina de lavar e secar roupa (deve haver a escrita “para máquina de lavar”, “à mão e para máquina de lavar” ou similares).
- A dose foi excessiva.

- Depois da ligação da máquina, foi accionado um comando diferente de Push&Wash+Dry. Desligue a máquina e pressione o botão Push&Wash+Dry.

- A ficha não está colocada na tomada eléctrica, ou não é suficiente para haver contacto.
- Em casa não há corrente.
- A porta da máquina não está bem fechada.
- Todos os indicadores luminosos relativos à secagem estão desligados.

Assistência

PT

Antes de contactar a Assistência Técnica:

- Verifique se consegue resolver a anomalia sozinho (*veja "Anomalias e soluções"*);
- Reinicie o programa para verificar se o inconveniente foi resolvido;
- Em caso negativo, contacte a o Centro de Assistência técnica autorizada no número de telefone indicado no certificado de garantia.

! Nunca recorra a técnicos não autorizados.

Comunique:


- o tipo de anomalia;
- o modelo da máquina (Mod.);
- o número de série (S/N).

Estas informações encontram-se na placa colocada na parte traseira da máquina de lavar e secar roupa e na parte anterior abrindo a porta de vidro.

CZ

Česky

XWDA 751480

!  Tento symbol vám připomíná potřebu přečtení návodu k použití.

CZ

Obsah

Instalace, 38-39

Rozbalení a vyrovnání do vodorovné polohy
Připojení k elektrické a k vodovodní síti
První prací cyklus
Technické údaje

Údržba a péče, 40

Uzavření přívodu vody a vypnutí elektrického napájení
Čištění pračky
Čištění dávkovače pracích prostředků
Péče o dvířka a buben
Čištění čerpadla
Kontrola přítokové hadice na vodu

Opatření a rady, 41

Základní bezpečnostní pokyny
Systém automatického vyvážení náplně
Likvidace

Popis pračky a zahájení pracího programu, 42-43

Ovládací panel
Kontrolky
Zahájení pracího programu

Prací programy, 44

Push&Wash+Dry
Tabulka pracích programů

Uživatelská nastavení, 45

Nastavení teploty
Nastavte druh sušení
Volitelné funkce praní

Prací prostředky a prádlo, 46

Dávkovač pracích prostředků
Cyklus bělení
Příprava prádla
Oděvy vyžadující zvláštní péči

Poruchy a způsob jejich odstranění, 47

Servisní služba, 48

Instalace

CZ

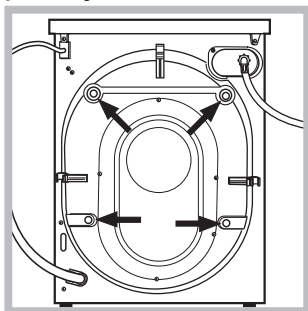
! Je důležité uschovat tento návod tak, abyste jej mohli kdykoli konzultovat. V případě prodeje, darování nebo přestěhování pračky se ujistěte, že zůstane uložen v blízkosti pračky, aby mohl posloužit novému majiteli při seznámení s její činností a s příslušnými upozorněními.

! Pozorně si přečtěte uvedené pokyny: Obsahují důležité informace týkající se instalace, použití a bezpečnosti při práci.

Rozbalení a vyrovnaní do vodorovné polohy

Rozbalení

1. Rozbalte pračku.
2. Zkontrolujte, zda během přepravy nedošlo k jejímu poškození. V případě, že je poškozena, ji nezapojujte a obraťte se na prodejce.



3. Odstraňte 4 šrouby chránící před poškozením během přepravy a gumovou podložku s příslušnou rozpěrkou, které se nacházejí v zadní části (viz obrázek).

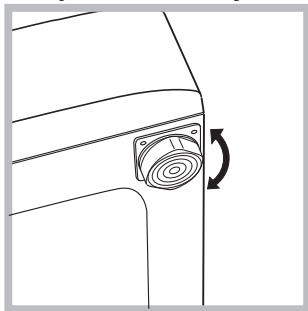
4. Uzavřete otvory po šroubech plastovými krytkami z příslušenství.

5. Uschovejte všechny díly: v případě opětovné přepravy pračky je bude třeba namontovat zpět.

! Obaly nejsou hračky pro děti!

Vyrovnaní do vodorovné polohy

1. Pračku je třeba umístit na rovnou a pevnou podlahu, aniž by se opírala o stěnu, nábytek či něco jiného.

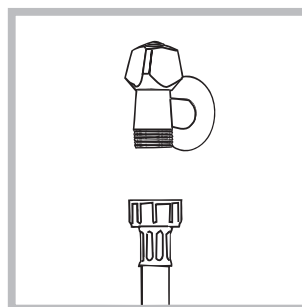


2. V případě, že podlaha není dokonale vodorovná, mohou být případné rozdíly vykompenzovány šroubováním předních nožek (viz obrázek); Úhel sklonu, naměřený na pracovní ploše, nesmí přesáhnout 2°.

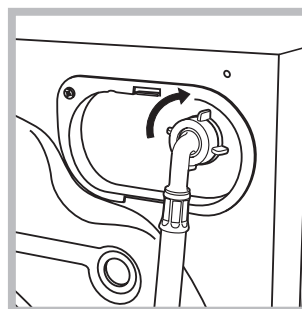
Dokonalé vyrovnaní do vodorovné polohy zabezpečí stabilitu zařízení a zamezí vzniku vibrací a hluku během činnosti. V případě instalace na podlahovou krytinu nebo na koberec nastavte nožky tak, aby pod pračkou zůstal dostatečný volný prostor pro ventilaci.

Připojení k elektrické a k vodovodní síti

Připojení přítokové hadice vody



1. Připojte přívodní hadici jejím zašroubováním ke kohoutku studené vody s hrdlem se závitem 3/4" (viz obrázek). Před připojením hadice nechte vodu odtékat, dokud nebude čirá.



2. Připojte přítokovou hadici k pračce prostřednictvím příslušné přípojky na vodu, umístěné vpravo nahoře (viz obrázek).

3. Dbejte na to, aby hadice nebyla příliš ohnutá ani stlačená.

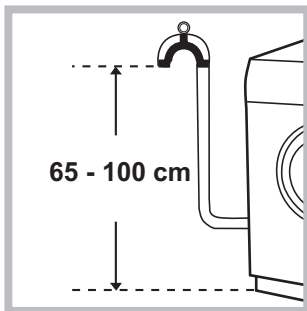
! Tlak v rozvodu vody se musí pohybovat v rozmezí hodnot uvedených v tabulce s technickými údaji (viz vedlejší strana).

! V případě, že délka přítokové hadice nebude dostatečná, se obraťte na specializovanou prodejnu nebo na autorizovaný technický personál.

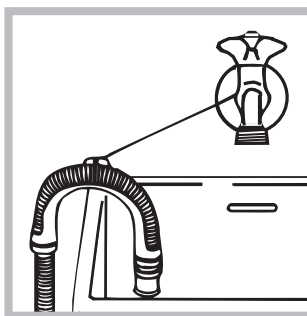
! Nikdy nepoužívejte již použité hadice.

! Používejte hadice z příslušenství zařízení.

Připojení vypouštěcí hadice



Připojte vypouštěcí hadici k odpadovému potrubí nebo k odpadu ve stěně, který se nachází od 65 do 100 cm nad zemí; zamezte jejímu ohybu



nebo ji uchyťte k okraji umývadla či vany a připevněte ji ke kohoutu prostřednictvím držáku z příslušenství (viz obrázek). Volný konec vypouštěcí hadice nesmí zůstat ponořený do vody.

! Použití prodlužovacích hadic se nedoporučuje; je-li však nezbytné, prodlužovací hadice musí mít stejný průměr jako originální hadice a její délka nesmí přesáhnout 150 cm.

Připojení k elektrické síti

Před zasunutím zástrčky do zásuvky se ujistěte, že:

- Je zásuvka uzemněna a že vyhovuje normám;
- je zásuvka schopna snést maximální zátěž odpovídající jmenovitému příkonu zařízení, uvedenému v tabulce s technickými údaji (viz vedle);
- hodnota napájecího napětí odpovídá údajům uvedeným v tabulce s technickými údaji (viz vedle);
- je zásuvka kompatibilní se zástrčkou pračky. V opačném případě je třeba vyměnit zásuvku nebo zástrčku.

! Pračka nesmí být umístěna venku – pod širým nebem, a to ani v případě, že by se jednalo o místo chráněné před nepřízní počasí, protože je velmi nebezpečné vystavit ji působení deště a bouří.

! Po definitivní instalaci pračky musí zásuvka zůstat snadno přístupná.



! Nepoužívejte prodlužovací kabely a rozvodky.

! Kabel nesmí být ohnutý ani stlačený.
!Výměna kabelu musí být svěřena výhradně autorizovanému technickému personálu.

Upozornění! Výrobce neponese žádnou odpovědnost za následky nerespektování uvedených předpisů.

První prací cyklus

Po instalaci zařízení je třeba ještě předtím, než je použijete na praní prádla, provést jeden zkušební cyklus s pracím prostředkem a bez náplně prádla nastavením pracího programu „Samočištění“ (viz „Čištění pračky“).

Technické údaje	
Model	XWDA 751480
Rozměry	šířka 59,5 cm výška 85 cm hloubka 54 cm
Kapacita	od 1 do 7 kg pro praní od 1 do 5 kg pro sušení
Napájení	Viz štítek s technickými údaji, aplikovaný na zařízení.
Připojení k rozvodu vody	maximální tlak 1 MPa (10 bar) minimální tlak 0.05 MPa (0.5 bar) kapacita bubny 52 litrů
Rychlost odstředování	až do 1400 otáček za minutu
Kontrolní program podle normy EN 50229	praní: program 8; teplota 60°; náplň 7 kg prádla. sušení: sušení menší (2kg) náplně musí být provedeno volbou úrovně sušení "☁" a tato náplň musí být tvořena 2 prostěradly, 1 povlaky a 2 ručníky; sušení zbývajících náplně musí být provedeno volbou úrovně sušení "☁".
 	Toto zařízení odpovídá následujícím normám Evropské unie: - 2004/108/CE (Elektromagnetická kompatibilita) - 2006/95/CE (Nízké napětí) - 2012/19/EU

Údržba a péče

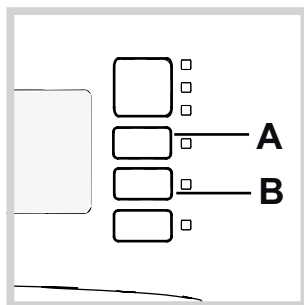
CZ

Uzavření přívodu vody a vypnutí elektrického napájení

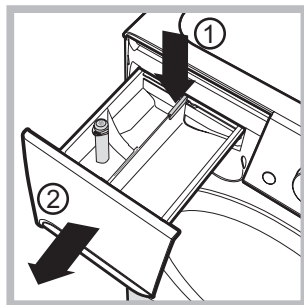
- Po každém praní uzavřete přívod vody. Tímto způsobem dochází k omezení opotřebení pračky a ke snížení nebezpečí úniku vody.
- Před zahájením čištění pračky a během operací údržby vytáhněte zástrčku napájecího kabelu z elektrické zásuvky.

Čištění pračky

- Vnější části a části z gumy se mohou čistit hadrem navlhčeným ve vlažné vodě a saponátu. Nepoužívejte rozpouštědla ani abrazivní látky.
- Pračka je vybavena programem „Samočištění“ vnitřních částí, který musí být proveden **bez jakéhokoli druhu náplně v bubnu**. Prací prostředek (množství rovnající se 10% množství doporučeného pro částečně znečištěné prádlo) nebo specifické přídatné prostředky pro čištění pračky budou moci být použity jako pomocné prostředky v pracím programu. Doporučuje se provést samočisticí program každých 40 cyklů praní. Pro aktivaci programu stiskněte současně tlačítka **A** a **B** na dobu 5 sekund (viz obrázek). Program bude zahájen automaticky a bude trvat přibližně 70 minut. Cyklus je možné ukončit stisknutím tlačítka START/PAUSE.



Čištění dávkovače pracích prostředků



Za účelem vytažení dávkovače stiskněte páčku (1) a potáhněte jej směrem ven (2) (viz obrázek). Umyjte jej pod proudem vody; tento druh vyčištění je třeba provádět pravidelně.

Péče o dvířka a bubn

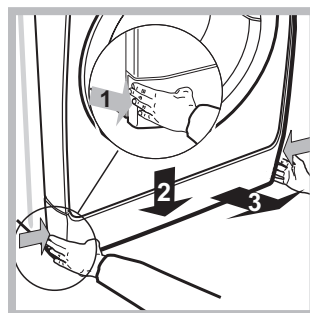
- Dvířka ponechte pokaždé pootevřená, aby se zabránilo tvorbě nepříjemných zápachů.

Čištění čerpadla

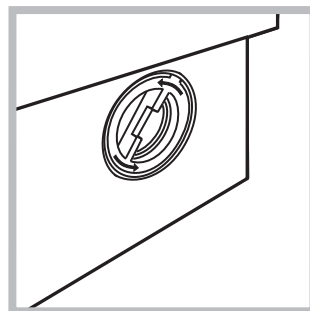
Součástí pračky je samočisticí čerpadlo, které nevyžaduje údržbu. Může se však stát, že se v jeho vstupní části, určené k jeho ochraně a nacházející se v jeho spodní části, zachytí drobné předměty (mince, knoflíky).

! Ujistěte se, že byl prací cyklus ukončen, a vytáhněte zástrčku ze zásuvky.

Přístup ke vstupní části čerpadla:



1. Sejměte krycí panel na přední straně zařízení zatlačením na jeho střed a následným zatlačením směrem dolů z obou stran a poté jej vytáhněte (viz obrázek).



2. Odšroubujte víko jeho otáčením proti směru hodinových ručiček (viz obrázek): vytečení malého množství vody je zcela běžným jevem;

3. dokonale vyčistěte vnitřek;
4. zašroubujte zpět víko;
5. namontujte zpět panel, přičemž se před jeho přisunutím k zařízení ujistěte, že došlo ke správnému zachycení háčků do příslušných podélných otvorů.

Kontrola přítokové hadice na vodu

Stav přítokové hadice je třeba kontrolovat alespoň jednou ročně. Jsou-li na ní viditelné praskliny nebo trhliny, je třeba ji vyměnit: silný tlak působící na hadici během pracího cyklu by mohl způsobit její náhlé roztržení.

! Nikdy nepoužívejte již použité hadice.

! Pračka byla navržena a vyrobena v souladu s platnými mezinárodními bezpečnostními předpisy. Tato upozornění jsou uváděna z bezpečnostních důvodů a je třeba si je pozorně přečíst.

Základní bezpečnostní pokyny

- Toto zařízení bylo navrženo výhradně pro použití v domácnosti.
- Zařízení nesmí být používáno osobami (včetně dětí) se sníženými fyzickými, sensorickými nebo mentálními schopnostmi a s nedostatečnými zkušenostmi a znalostmi, s výjimkou případu, kdy toto použití probíhá pod dozorem nebo na základě pokynů osoby zodpovědné za jejich bezpečnost. Děti musí být pod dohledem, aby se zajistilo, že si nebudou se zařízením hrát.
 - Nesušte nevyprané oblečení.
 - Oblečení znečištěné látkami, jako je olej z vaření, aceton, líh, benzin, kerosen, odstraňovače skvrn, terpentýn, vosk a látky na jeho odstranění, se musí před sušením v sušičce prádla vyprat v teplé vodě s vyšším množstvím pracího prostředku.
 - Předměty jako pěnová guma (latexová pěna), sprchové čepice, nepromokavé textilní látky, výrobky s jednou stranou z gumy a šaty nebo polštáře, které mají části z latexové gumy, se nesmí sušit v sušičce prádla.
 - Aviváž nebo podobné prostředky se musí používat v souladu s pokyny výrobce.
 - Závěrečná část cyklu sušičky prádla pobíhá bez tepla (chladicí cyklus), aby se zabránilo poškození sušeného prádla.
- UPOZORNĚNÍ: Nikdy nezastavujte sušičku prádla před ukončením programu sušení. V takovém případě rychle vyjměte všechno prádlo ze sušičky a pověste jej, aby se rychle ochladilo.
- Pračku mohou používat pouze dospělé osoby podle pokynů uvedených v tomto návodu.
- Nedotýkejte se zařízení bosí nebo v případě, že máte mokré nebo vlhké ruce či nohy.
- Nevytahujte zástrčku ze zásuvky tahem za kabel, ale uchopením za zástrčku.
- Neotvírejte dávkovač pracích prostředků během činnosti zařízení.
- Nedotýkejte se odčerpávané vody, protože může mít velmi vysokou teplotu.
- Nepokoušejte se o násilné otevření dvířek: mohlo by dojít k poškození bezpečnostního uzávěru, který zabraňuje náhodnému otevření.
- Při výskytu poruchy se v žádném případě nepokoušejte o opravu vnitřních částí zařízení.
- Vždy mějte pod kontrolou děti a zabraňte tomu, aby se přibližovaly k zařízení během pracího cyklu.
- Během pracího cyklu mají dvířka tendenci ohřát se.
- V případě potřeby přemíst'ujte pračku ve dvou nebo ve třech a věnujte celé operaci maximální pozornost. Nikdy se nepokoušejte zařízení přemíst'ovat sami, je totiž velmi těžké.

- Před zahájením vkládání prádla zkontrolujte, zda je buben prázdný.
- Nepoužívejte toto zařízení k sušení oděvů, které byly čištěny hořlavými látkami (např. trichloretylénem).
- Nepoužívejte toto zařízení k sušení molitanu a podobných elastomerů.
- Ujistěte se, že během cyklu sušení je vodovodní kohoutek otevřený.
- Tato pračka se sušičkou může být používána pouze k sušení oděvů, které byly předtím vyprány ve vodě.

System automatického vyvážení náplně

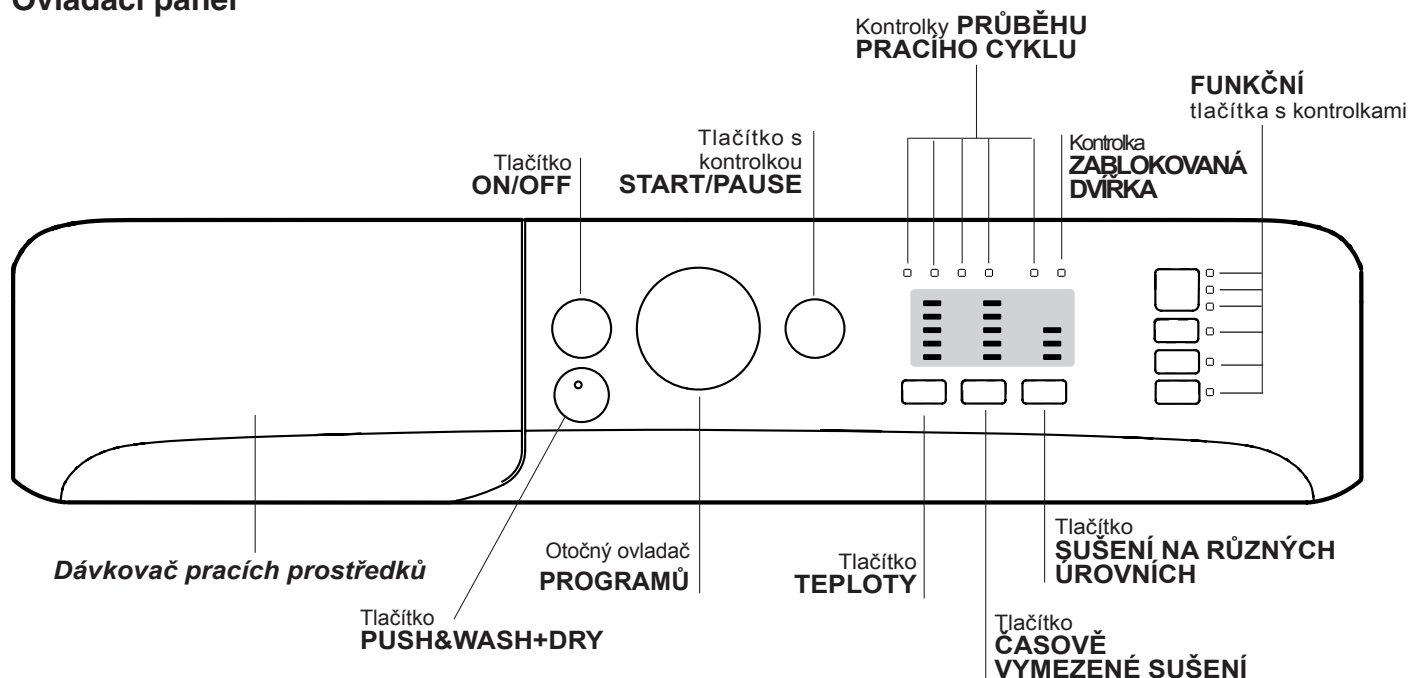
Před každým odstředováním buben provede otáčení rychlostí lehce převyšující rychlost praní, aby se odstranily vibrace a aby se náplň rovnoměrně rozložila. V případě, že po několiknásobných pokusech o vyvážení prádlo ještě nebude správně vyváženo, zařízení provede odstředování nižší rychlostí, než je přednastavená rychlost. Při nadměrném nevyvážení pračka provede namísto odstředování vyvážení. Pro dosažení rovnoměrnějšího rozložení náplně a jejího správného vyvážení se doporučuje míchat velké a malé kusy prádla.

Likvidace

- Likvidace obalových materiálů: při jejich odstranění postupujte v souladu s místním předpisy a dbejte na možnou recyklaci.
- Evropská směrnice 2012/19/EU o odpadu tvořeném elektrickými a elektronickými zařízeními nařizuje, že elektrospotřebiče nesmí být likvidovány v rámci běžného pevného městského odpadu. Vyřazená zařízení musí být shromážděna zvlášť za účelem zvýšení počtu recyklovaných a znovupoužitých materiálů, z nichž jsou složena, a z důvodu zabránění možných ublížení na zdraví a škod na životním prostředí.
 - Symbolem je přeškrtnutý koš, uvedený na všech výrobcích s cílem připomenout povinnosti spojené se separovaným sběrem.
 - Podrobnější informace týkající se správného způsobu vyřazení elektrospotřebičů z provozu mohou jejich držitelé získat tak, že se obrátí na navrženou veřejnou instituci nebo na prodejce.

Popis pračky a zahájení pracího programu

Ovládací panel



Dávkořač pracích prostředků: slouží k dávkování pracích prostředků a přířavných prostředků (viz „Prací prostředky a prádlo“).

Tlačítko **ON/OFF**: slouží k zapnutí a vypnutí pračky.

Tlačítko **PUSH&WASH+DRY**: (viz „Prací Programy“).

Otočný ovladač **PROGRAMŮ**: pro nastavení pracích programů. Během pracího programu zůstane ve stejné poloze.

FUNKČNÍ tlačítka s kontrolkami: slouží k volbě jednotlivých dostupných funkcí. Kontrolka zvolené funkce zůstane rozsvícena.

Tlačítko **TEPLoty**: slouží k nastavení teploty praní nebo praní ve studené vodě (viz „Uživatelská nastavení“).

Tlačítko **ČASOVĚ VYMEZENÉ SUŠENÍ**: stiskněte jej za účelem volby požadované doby sušení; zvolená doba sušení bude vyznačena vedlejšími kontrolkami.

Tlačítko **SUŠENÍ NA RŮZNÝCH ÚROVNÍCH**: stiskněte jej za účelem volby požadované úrovně sušení; zvolená úroveň sušení bude vyznačena vedlejšími kontrolkami.

Kontrolky **PRŮBĚHU PRACÍHO CYKLU**: slouží ke kontrole průběhu pracího programu. Rozsvícená kontrolka poukazuje na probíhající fázi.

Kontrolka **ZABLOKOVANÁ DVÍŘKA**: informuje o tom, zda je možné otevřít dvířka (viz vedlejší strana).

Tlačítko s kontrolkou **START/PAUSE**: Slouží ke spuštění nebo dočasnému přerušení programů.

POZN.: Stisknutí tohoto tlačítka slouží k přerušení probíhajícího praní; příslušná kontrolka bude blikat oranžovým světlem, zatímco kontrolka probíhající fáze zůstane rozsvícena stálým světlem. Když bude kontrolka **ZABLOKOVANÁ DVÍŘKA** zhasnuta, bude možné otevřít dvířka (vyčkejte přibližně 3 minuty). Za účelem opětovného zahájení praní z bodu, ve kterém bylo přerušeno, znovu stiskněte toto tlačítko.

Pohotovostní režim

Za účelem shody s novými předpisy souvisejícími s energetickou úsporou je tato pračka vybavena systémem automatického vypnutí (přechodu do pohotovostního režimu – standby), který je aktivován po uplynutí přibližně 30 minut, když se pračka nepoužívá. Krátce stiskněte tlačítko ON/OFF a vyčkejte na obnovení činnosti zařízení.

Spotřeba v off-mode: 0,5 W





Spotřeba v Left-on: 8 W

Kontrolky

Kontrolky jsou zdrojem důležitých informací. Informují nás o následujících skutečnostech:

Kontrolka aktuální fáze pracího programu:

Po zvolení a zahájení požadovaného pracího cyklu dojde k postupnému rozsvícení kontrolky informující o jeho průběhu.

Praní	
Máchání	
Odstřeďování/Odčerpání vody	
Sušení	
Ukončení praní	END

Funkční tlačítka a příslušné kontrolky

Po zvolení konkrétní funkce dojde k rozsvícení příslušné kontrolky.

V případě, že zvolená funkce není kompatibilní s nastaveným pracím programem, příslušná kontrolka začne blikat a funkce nebude aktivována.

Když zvolená možnost není kompatibilní s jinou předtím nastavenou možností, tato nekompatibilita bude signalizována blikáním kontrolky a akustickým signálem (3 pípnutí) a bude aktivována pouze druhá možnost; kontrolka aktivované možnosti se rozsvítí

Kontrolka zablokovaných dvířek

Rozsvícení této kontrolky poukazuje na to, že dvířka jsou zajištěna kvůli zamezení náhodnému otevření; aby se zabránilo poškození dvířek, před jejich otevřením je třeba vyčkat, dokud uvedená kontrolka nezhasne (vyčkejte přibližně 3 minuty). Za účelem otevření dvířek v průběhu pracího cyklu stiskněte tlačítko START/PAUSE; když bude kontrolka ZABLOKOVANÁ DVÍŘKA zhasnutá, bude možné otevřít dvířka.


Zahájení pracího programu

Rychlé nastavení programu

- NAPLNĚTE PRAČKU PRÁDLEM.** Otevřete dvířka s průzorem. Naplňte pračku prádlem a dbejte přitom, aby nedošlo k překročení množství náplně, uvedeného v tabulce programů na následující straně.
- NADÁVKUJTE PRACÍ PROSTŘEDEK.** Vytáhněte dávkovač pracích prostředků a naplňte prací prostředek do příslušných přihrádek způsobem vysvětleným v části „Prací prostředky a prádlo“.
- ZAVŘETE DVÍŘKA.**
- Zahajte program stisknutím tlačítka Push&Wash+Dry“.

Tradiční nastavení programu

- Zapněte pračku stisknutím tlačítka ON/OFF. Všechny kontrolky se rozsvítí na několik sekund a poté zůstanou svítit ty kontrolky, které se týkají nastavení zvoleného programu, a bude blikat kontrolka START/PAUSE.
- Naplňte pračku a zavřete dvířka.

- Otočným ovladačem PROGRAMŮ nastavte požadovaný prací program.
- Nastavte teplotu praní (viz „Uživatelská nastavení“).
- Dle potřeby nastavte druh sušení (viz „Uživatelská nastavení“).
- Nadávkujte prací prostředek a přídatné prostředky (viz „Prací prostředky a prádlo“).
- Zvolte požadované funkce.
- Zahajte prací program stisknutím tlačítka START/PAUSE a příslušná kontrolka zůstane rozsvícena stálým světlem zeleným barvy. Zrušení nastaveného pracího cyklu se provádí přerušením činnosti zařízení stisknutím tlačítka START/PATA a volbou nového cyklu.
- Po ukončení pracího programu se rozsvítí kontrolka END. Po zhasnutí kontrolky ZABLOKOVANÁ DVÍŘKA  bude možné otevřít dvířka (vyčkejte přibližně 3 minuty). Vytáhněte prádlo a nechte dvířka pootevřená, aby bylo umožněno vysušení bubny. Vypněte pračku stisknutím tlačítka ON/OFF.

Prací programy

CZ

Push&Wash+Dry

Tato funkce umožňuje zahájit automatický cyklus praní a sušení i při vypnutém zařízení, aniž by bylo třeba nejdříve stisknout tlačítko ON/OFF, nebo následně při zapnutí zařízení bez použití jakéhokoli dalšího tlačítka a/nebo otočného ovladače (v opačném případě bude program Push&Wash+Dry zrušen). Za účelem zahájení cyklu Push&Wash+Dry držte stisknuté tlačítko po dobu 2 sekund. Rozsvícená kontrolka poukazuje na to, že cyklus byl zahájen. Tento cyklus praní a sušení je ideální pro bavlněné a syntetické prádlo s teplotou 30°C a maximální rychlostí odstředování 1000 otáček za minutu. Maximální teplota dosažená během sušení je přibližně 60°C. Po skončení programu odpovídá zbytková vlhkost úrovni vhodné pro "☁". Max. doporučená náplň 2,5 kg. (Doba trvání cyklu 210').

Správný postup

- Naložte do pračky prádlo (bavlněné a/nebo syntetické) a zavřete dvířka.
- Nadávkujte prací prostředek a přídatné prostředky.
- Zahajte program stisknutím tlačítka Push&Wash+Dry na dobu 2 sekund. Příslušná kontrolka se rozsvítí stálým zeleným světlem a dojde k zablokování dvířek (symbol dvířek zůstane rozsvícený).
POZN.: Zahájení praní tlačítkem Push&Wash+Dry aktivuje automatický cyklus praní a sušení, doporučený pro bavlněné a syntetické prádlo, který nelze dále uživatelsky přizpůsobovat.
- Automatický cyklus lze použít pouze pro praní s vyloučením sušení. Po stisknutí tlačítka Push&Wash+Dry stiskněte tlačítko sušení ☁; dojde ke zhasnutí ikony sušení, která odpovídá úrovni vhodné pro "☁". Max. náplň pro samotné praní je 3,5 kg (Doba trvání cyklu 50'). Program nelze dále uživatelsky přizpůsobovat.
Za účelem otevření dvířek v průběhu automatického cyklu stiskněte tlačítko START/PAUSE; když je symbol zablokování dvířek zhasnutý, bude možné otevřít dvířka (výhradně během fáze praní). Opětovným stisknutím tlačítka START/PAUSE znovu uvedte do činnosti program z bodu, ve kterém byl přerušen.
- Po skončení pracovního programu se rozsvítí kontrolka END.

Tabulka prací programů

Programy	Popis programu	Max. teplota (°C)	Max. rychlost (otáčky za minutu)	Sušení	Maximální náplň pro sušení (Kg)	Prací prostředky a přídatné prostředky				Maximální náplň pro praní (Kg)	Doba trvání pracovního cyklu
						Předpírka	Praní	Aviváž	Bélicí prostředek		
Programy Speciální											
1	Sport	30°	600	●	3	-	●	●	-	3,5	55'
2	Tmavé prádlo	30°	800	●	2,5	-	●	●	-	4	70'
3	Zabránění zápachu (Bavlna)	60°	1000	●	3,5	-	●	●	-	3,5	110'
3	Zabránění zápachu (Syntetické)	40°	1000	●	3	-	●	●	-	3,5	100'
4	Jemné Prádlo	30°	0	●	1	-	●	●	-	1	80'
5	Vlna: Pro vlnu, kašmír apod.	40°	800	●	1,5	-	●	●	-	1,5	70'
6	Rychlé praní 30'	30°	800	●	3	-	●	●	-	3	30'
Standard											
7	Bavlna s předpírkou: Mimořádně znečištěné bílé prádlo.	90°	1400	●	5	●	●	●	-	7	170'
8	Standardní programy pro bavlnu 60° (1): Silně znečištěné bílé a barevné prádlo z odolných tkanin.	60° (Max. 90°)	1400	●	5	-	●	●	-	7	170'
9	Syntetické: Velmi znečištěné barevné prádlo z odolných tkanin.	60°	800	●	3	-	●	●	-	3,5	110'
10	Barevné (2)	40°	1400	●	5	-	●	●	-	7	100'
11	Eco Bavlna 20°: Málo znečištěné bílé a barevné choulostivé prádlo.	20°	1400	●	5	-	●	●	-	7	170'
12	Eco Syntetické	20°	800	●	5	-	●	●	-	7	120'
Automatický											
13	Praní&Sušení 45'	30°	1400	●	1	-	●	●	-	1	45'
14	AirFresh	-	-	●	1,5	-	-	-	-	-	30'
Programy Částečné											
	Máchání/Bélicí prostředek	-	1400	●	5	-	-	●	●	7	50'
	Odstředování + Odčerpání vody	-	1400	●	5	-	-	-	-	7	10'

Doba trvání cyklu uvedená na displeji nebo v návodu představuje odhad vypočítaný na základě standardních podmínek. Skutečná doba se může měnit v závislosti na četných faktorech, jako je např. teplota a tlak vody na vstupu, teplota prostředí, množství pracovního prostředku, množství a druh náplně, vyvážení náplně a zvolené volitelné funkce.

Pro všechny Kontrolní ústavy:

- Kontrolní program podle normy EN 50229: nastavte program 8 s teplotou 60°C.
- Dlouhý program na praní bavlny: nastavte program 10 s teplotou 40°C.

Nastavení teploty

Stisknutím tlačítka TEPLOTA se nastavuje teplota praní (viz *Tabulka programů*). Teplota může být postupně snižována až po praní ve studené vodě (☼). Zařízení automaticky zabrání nastavení vyšší teploty, než je maximální teplota pro každý prací program.

! Výjimka: při volbě programu 8 bude možné zvýšit teplotu až na 90°C.

Nastavte druh sušení

K dispozici jsou dva druhy sušení, které jsou časově vymezené a na různých úrovních.

Stisknutím tlačítka ČASOVĚ VYMEZENÉ SUŠENÍ ☼ se nastavuje požadovaná doba trvání sušení: 40' - 90' - 120' - 150' - 180'.

Při prvním stisknutí tlačítka bude nastavena minimální doba určená pro nastavený program.

Když zařízení zahájilo fázi sušení, následným stisknutím tlačítka ČASOVĚ VYMEZENÉ SUŠENÍ bude možné snížit předtím nastavenou dobu trvání sušení. Kontrolky budou informovat o nově zvolené době trvání sušení a zbývající doba zohlední také již uplynulou dobu sušení.

Stisknutím tlačítka SUŠENÍ NA RŮZNÝCH ÚROVNÍCH ☼ se nastavuje požadovaná úroveň sušení:

Prádelník ☼: Vhodné pro prádlo, které je určeno k uložení do skříně bez potřeby žehlení.

Ramínko ☼: Ideální pro ty kusy oblečení, které nevyžadují úplné vysušení.

K Žehlení ☼: Určené pro kusy oblečení, které se následně musí žehlit. Úroveň zbytkové vlhkosti zjemní záhyby a usnadní jejich odstranění.

Když je množství prádla ve výjimečných případech vyšší než maximální povolená náplň, proveďte prací cyklus, po jeho ukončení prádlo rozdělte a jednu ze dvou částí vložte zpět do bubnu. Dále se řiďte pokyny pro **samostatné sušení**. Zopakujte stejný postup i při sušení zbývající části prádla. Na konci cyklu sušení proběhne fáze ochlazování.

Poznámka: když jsou všechny kontrolky týkající se sušení zhasnuté, zařízení **neprovede** sušení.

Samostatné sušení

Stiskněte tlačítko ☼ kvůli provedení samotného sušení. Po provedení volby požadovaného programu, který je kompatibilní s vloženým druhem prádla, dojde při stisknutí tlačítka ☼ k vyloučení fáze praní a bude aktivováno sušení s maximální úrovní určenou pro zvolený program. Je možné změnit a nastavit úroveň nebo dobu trvání sušení stisknutím tlačítek sušení ☼, ☼. (není kompatibilní s programy 13 a 14).

Volitelné funkce praní

Jednotlivé funkce, kterými pračka disponuje, umožňují dosáhnout požadovaného stupně čistoty a bělosti praného prádla. Způsob aktivace jednotlivých funkcí:

1. stiskněte příslušné tlačítko požadované funkce;
2. rozsvícení příslušné kontrolky signalizuje, že došlo k aktivaci zvolené funkce.

Poznámka: Rychlé blikání kontrolky poukazuje na to, že příslušná funkce je nepoužitelná během nastaveného pracího programu.

Odstranění skvrn

Tato možnost slouží k volbě druhu znečištění tak, aby došlo k optimálnímu přizpůsobení cyklu za účelem odstranění skvrn. K druhům znečištění patří:

- **Jídlo**, které způsobuje např. skvrny z potravin a nápojů.
- **Práce**, při které vznikají např. skvrny z mazacího tuku a inkoustu.
- **Činnost venku**, při které vznikají např. skvrny od bláta a trávy.

! Doba trvání pracího cyklu se mění v závislosti na druhu zvoleného znečištění.

! Tato funkce není použitelná u programů 1-2-3-4-5-6-7-10-11-12-13-14--.

Stisknutím tohoto tlačítka dojde ke snížení rychlosti odstředování.

! Nelze ji aktivovat u programů 4-13-14.

Extra Máchání

Volbou této funkce se zvýší účinnost máchání a zajistí se maximální stupeň odstranění pracího prostředku. Je užitečná zejména pro mimořádně citlivé pokožky.

! Tato funkce není použitelná u programů 2-4-6-13-14-.

Tabulka s dobami sušení (Údaje uvedené v tabulce mají pouze informativní charakter).

Typ tkaniny	Druh prádla	Max. náplň (kg)	Prádelník	Ramínko	K Žehlení
Bavlna	Prádlo různých velikostí, Froté rucníky.	5	250	210	190
Syntetika	Prosteradla, košile, Pyzama, ponožky.	3	180	130	115
Vlna	Svetry, pulovry, atd.	1,5	155	135	115

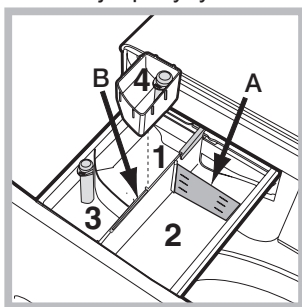
Prací prostředky a prádlo

CZ

Dávkovač pracích prostředků

Dobry výsledek praní závisí také na správném dávkování pracího prostředku: použití jeho nadměrného množství snižuje efektivitu praní a napomáhá tvorbě vodního kamene na vnitřních částech pračky a zvyšuje znečištění životního prostředí.

- ! Nepoužívejte prací prostředky určené pro ruční praní, protože způsobují tvorbu nadměrného množství pěny.
- ! Pro předpírku a praní při teplotě vyšší než 60 °C použijte práškové prací prostředky pro bílé bavlněné prádlo.
- ! Dodržujte pokyny uvedené na obalu pracího prostředku.



Při vytahování dávkovače pracích prostředků a při jeho plnění pracími nebo přídatnými prostředky postupujte následovně.

Příhrádka 1: Prací prostředek (práškový) pro předpírku

Před naplněním příhrádky pracím prostředkem se ujistěte, že v dávkovači není

vložena přídatná příhrádka 4.


Příhrádka 2: Prací prostředek (v prášku nebo tekutý)

V případě použití tekutého pracího prostředku se doporučuje použít pro správné dávkování malou přepážku **A** z příslušenství. Pro použití práškového pracího prostředku vložte malou přepážku do prohloubeniny **B**.

Příhrádka 3: Přídatné prostředky (aviváž atd.)

Aviváž nesmí překročit úroveň „max.“, vyznačenou na stupnici. **přídatná příhrádka 4: Bělicí prostředek**

Cyklus bělení

Vložte přídatnou vaničku **4** z příslušenství do příhrádky **1**. Při dávkování bělicího prostředku nepřekročte hladinu „max“, vyznačenou na stupnici. Přejete-li si provést samostatné bělení, nalijte bělicí prostředek do přídatné vaničky **4** a nastavte program .

! Tradiční bělicí prostředek se používá pro odolné bílé prádlo, jemný pro barevné a syntetické prádlo a pro vlnu.

Příprava prádla

- Roztříděte prádlo podle:
 - druhu tkaniny / symbolu na visače.
 - barvy: oddělte barevné prádlo od bílého.
- Vyprázdněte kapsy a zkontrolujte knoflíky.
- Nepřekračujte povolenou náplň, vztahující se na hmotnost suchého prádla: viz „*Tabulka programů*“.

Kolik váží prádlo?


- 1 prostěradlo 400-500 g
- 1 povlak na polštář 150-200 g
- 1 ubrus 400-500 g
- 1 župan 900-1.200 g
- 1 ručník 150-250 g

Oděvy vyžadující zvláštní péči

Sport (program 1) byl navržen pro mírně znečištěné tkaniny sportovního oblečení (teplákové soupravy, šortky apod.); pro dosažení optimálních výsledků se doporučuje nepřekračovat maximální náplň uvedenou v „*Tabulka programů*“. Doporučuje se použít tekutý prací prostředek a použít dávku vhodnou pro poloviční náplň.

Tmavé prádlo: použijte program 2 pro praní prádla tmavé barvy. Program je navržen pro dlouhodobé zachování

tmavých barev. Pro dosažení co nejlepších výsledků se doporučuje použít tekutý prací prostředek pro praní tmavého prádla.

V případě volby sušení bude na konci praní automaticky provedeno jemné sušení, které chrání barvy prádla. Na displeji bude zobrazena úroveň „“. Max. náplň: 2,5 kg

Zabránění zápachu: program 3 se používá pro praní prádla, u kterého je třeba zajistit odstranění nepříjemného zápachu (např. kouře, potu, smažených jídel apod.). Tento program byl navržen pro odstranění nepříjemného zápachu s ohledem na vlákna tkanin.

Doporučuje se prát syntetické nebo smíšené prádlo při teplotě 40°C a prádlo z odolné bavlny při teplotě 60°C.

Jemné prádlo: pro praní velmi jemného prádla použijte program 4. Doporučujeme obrátit prádlo před praním naruby. Pro dosažení nejlepších výsledků se doporučuje použít tekutý prací prostředek pro choulostivé prádlo.

V případě volby funkce výhradně časově vymezeného sušení bude na konci praní provedeno mimořádně jemné sušení díky mírnému pohybu a proudu vzduchu s vhodně řízenou teplotou.

Doporučené doby jsou:

- 1 kg syntetického prádla --> 150 min.
- 1 kg syntetického a bavlněného prádla --> 180 min.
- 1 kg bavlněného prádla --> 180 min.

Stupeň vysušení bude záviset na náplni a složení tkaniny.

Vlna: prací cyklus „Vlna“ této pračky Hotpoint-Ariston byl testován a schválen společností Woolmark Company pro praní prádla z vlny, které je klasifikováno jako „prádlo určené pro ruční praní“, za podmínky, že bude praní provedeno v souladu s pokyny uvedenými na visače oblečení a pokyny dodanými výrobcem této pračky. (M1126)



Rychlé praní 30' (program 6) tento cyklus 30' byl navržen pro praní mírně znečištěného prádla při teplotě 30°C (s výjimkou vlny a hedvábí) s maximální náplní 3 kg v průběhu krátké doby: Trvá pouze 30 minut a šetří čas a energii.

Barevné : použijte program 10 pro praní prádla světlé barvy. Program je navržen pro dlouhodobé zachování živosti barev.

Eco Bavlna 20° (program 11) ideální pro náplně ze znečištěné bavlny. Dobrá výkonnost i za studena, srovnatelná s praním při 40 °C, je zaručena mechanickým působením, které je založeno na změně rychlosti v krátkých nebo dlouhých intervalech.

Eco Syntetické (program 12) ideální pro smíšené náplně (bavlna a syntetika), tvořené středně znečištěným prádlem. Dobrá výkonnost praní i za studena je zaručena mechanickým působením, které je založeno na změně rychlosti ve středních nebo určených intervalech.

Praní&Sušení 45' (program 13): byl navržen pro praní mírně znečištěného oblečení během krátké doby: Při volbě tohoto cyklu je možné vyprat a vysušit až do 1 kg prádla během pouhých 45 minut.

Pro dosažení optimálních výsledků použijte tekutý prací prostředek; předběžně ošetřete manžety, límce a skvrny

AirFresh (program 14) představuje ideální program pro oživení bavlněného a syntetického prádla (max. 1,5 kg) a odstranění nepříjemných zápachů, zejména z kouření, v průběhu 30' bez fáze praní.

Může se stát, že pračka nebude fungovat. Dříve, než zatelefonujete na Servisní službu (viz „Servisní služba“), zkontrolujte, zda se nejedná o problém, který lze snadno vyřešit s pomocí následujícího seznamu.

Poruchy:

Pračku nelze zapnout.

Nedochází k zahájení pracího cyklu.

Pračka nenapouští vodu (rychle bliká kontrolka první fáze praní).

Dochází k nepřetržitému napouštění a odčerpávání vody.

Nedochází k vyčerpání vody nebo k odstředování.

Během odstředování je možné pozorovat silné vibrace pračky.

Dochází k úniku vody z pračky.

Kontrolky “volitelné funkce” a kontrolka “START/PAUSE” blikají a jedna z kontrollek “probíhající fáze” a “zablokovaná dvířka” se rozsvítí stálým světlem.

Dochází k tvorbě nadměrného množství pěny.

Nedochází k aktivaci cyklu Push&Wash+Dry.

Pračka nesuší.

Možné příčiny / Způsob jejich odstranění:

- Zástrčka není zasunuta v zásuvce nebo není zasunuta natolik, aby došlo ke spojení kontaktů.
 - V celém domě je vypnutý proud.
 - Nejsou řádně zavřena dvířka.
 - Nebylo stisknuto tlačítko ON/OFF.
 - Nebylo stisknuto tlačítko START/PAUSE.
 - Nebyl otevřen kohout přívodu vody.
 - Přívodní hadice není připojena k vodovodnímu kohoutu.
 - Hadice je příliš ohnutá.
 - Nebyl otevřen kohout přívodu vody.
 - V celém domě je uzavřený přívod vody.
 - V rozvodu vody není dostatečný tlak.
 - Nebylo stisknuto tlačítko START/PAUSE.
 - Vypouštěcí hadice se nachází mimo určené rozmezí od 65 do 100 cm nad zemí (viz „Instalace“).
 - Koncová část vypouštěcí hadice je ponořena ve vodě (viz „Instalace“).
 - Odpad ve stěně není vybaven odvodušňovacím otvorem.
- Když ani po uvedených kontrolách nedojde k odstranění problému, uzavřete přívod vody, vypněte pračku a přivolejte Servisní službu. V případě, že se byt nachází na jednom z nejvyšších poschodí, je možné, že dochází k sifonovému efektu, jehož následkem pračka nepřetržitě napouští a odčerpává vodu. Pro odstranění uvedeného efektu jsou v prodeji běžně dostupné speciální protisifonové ventily.
- Odčerpání vody netvoří součást nastaveného programu: u některých programů je třeba jej aktivovat manuálně.
 - Vypouštěcí hadice je ohnutá (viz „Instalace“).
 - Odpadové potrubí je ucpáno.
 - Během instalace nebyl buben odjištěn předepsaným způsobem (viz „Instalace“).
 - Pračka není dokonale vyrovnaná do vodorovné polohy (viz „Instalace“).
 - Pračka je stlačena mezi nábytkem a stěnou (viz „Instalace“).
 - Přítoková hadice není správně zašroubována (viz „Instalace“).
 - Dávkovač pracích prostředků je ucpán (způsob jeho vyčištění je uveden v části „Údržba a péče“).
 - Vypouštěcí hadice není upevněna předepsaným způsobem (viz „Instalace“).
 - Vypněte zařízení a vytáhněte zástrčku ze zásuvky, vyčkejte přibližně 1 minutu a opětovně jej zapněte.
- Když porucha přetrvává, obraťte se na Servisní službu.

- Použitý prací prostředek není vhodný pro použití v automatické pračce (musí obsahovat označení „pro praní v pračce“, „pro ruční praní nebo pro praní v pračce“ nebo podobné označení).
- Bylo použito jeho nadměrné množství.

- Po zapnutí zařízení byl aktivován jiný ovládací příkaz než Push&Wash+Dry. Vypněte zařízení a stiskněte tlačítko Push&Wash+Dry.

- Zástrčka není zasunuta v zásuvce, anebo ne natolik, aby došlo ke spojení kontaktů.
- V celém domě je vypnutý proud.
- Dvířka nejsou správně zavřena.
- Všechny kontrolky týkající se sušení jsou zhasnuté.

Servisní služba

CZ

Před přivoláním Servisní služby:


- Zkontrolujte, zda nejste schopni poruchu odstranit sami (viz „*Poruchy a způsob jejich odstranění*“);
- Opětovně uveďte do chodu prací program, abyste ověřili, zda byla porucha odstraněna;
- V opačném případě se obraťte na Centrum servisní služby na telefonním čísle uvedeném na záručním listu.

! Nikdy se neobracejte s žádostí o pomoc na techniky, kteří nejsou k výkonu této činnosti oprávněni.

Při hlášení poruchy uveďte:

- druh poruchy;
- model zařízení (Mod.);
- výrobní číslo (S/N).

Tyto informace jsou uvedeny na štítku aplikovaném na zadní částí pračky a v její přední části, dostupné po otevření dvířek.

 Tento symbol upozorňuje na to, že je potrebné prečítať si návod na použitie.

SK

SK

Slovensky

XWDA 751480

Obsah

Inštalácia, 50-51

Rozbalenie a vyrovnanie do vodorovnej polohy
Pripojenie k elektrickej a k vodovodnej sieti
Prvý prací cyklus
Technické údaje

Údržba a starostlivosť, 52

Uzavretie prívodu vody a vypnutie elektrického napájania
Čistenie práčky
Čistenie dávkovača pracích prostriedkov
Starostlivosť o dvierka a bubon
Čistenie čerpadla
Skontrolujte prítokovú hadicu vodu

Opatrenia a rady, 53

Základné bezpečnostné pokyny
Systém automatického vyváženia náplne
Likvidácia

Popis práčky a zahájenie pracieho programu, 54-55

Ovládací panel
Kontrolky
Zahájenie pracieho programu

Pracie programy, 56

Push&Wash+Dry
Tabuľka pracích programov

Užívateľské nastavenia, 57

Nastavenie teploty
Nastavte druh sušenia
Umyť možnosti

Pracie prostriedky a prádlo, 58

Dávkovač pracích prostriedkov
Cyklus bielenia
Príprava prádla
Prádlo vyžadujúce osobitnú starostlivosť

Poruchy a spôsob ich odstránenia, 59

Servisná služba, 60

Inštalácia

SK

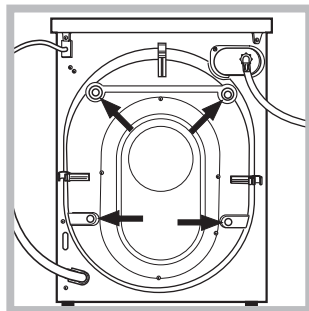
! Je veľmi dôležité uschovať tento návod kvôli prípadnému ďalšiemu použitiu. V prípade predaja, darovania alebo presťahovania práčky sa uistite, že zostane uložený v jej blízkosti, aby mohol poslúžiť novému majiteľovi pri oboznámení sa s činnosťou a s príslušnými upozoreniami.

! Pozorne si prečítajte uvedené pokyny: obsahujú dôležité informácie, týkajúce sa inštalácie, použitia a bezpečnosti pri práci.

Rozbalenie a vyrovnanie do vodorovnej polohy

Rozbalenie

1. Rozbaľte práčku.
2. Skontrolujte, či počas prepravy nedošlo k jej poškodeniu. V prípade, že je poškodená, nezapájajte ju a obráťte sa na predajcu.



3. Odstráňte 4 skrutky slúžiace na ochranu počas prepravy a gumovú podložku s príslušným dištančným členom, ktoré sa nachádzajú v zadnej časti (vid' obrázok).

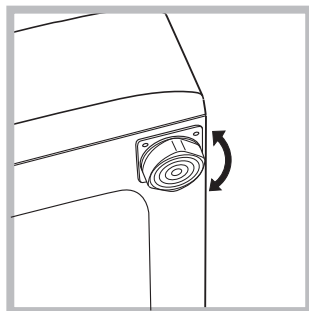
4. Uzatvorte otvory po skrutkách plastovými krytkami z príslušenstva.

5. Uschovajte všetky diely: v prípade opätovnej prepravy práčky ich bude potrebné opätovne namontovať.

! Obaly nie sú hračky pre deti!

Vyrovnanie do vodorovnej polohy

1. Práčku je potrebné umiestniť na rovnú a pevnú podlahu tak, aby nebola opretá o stenu, nábytok alebo o niečo iné.



2. V prípade, že podlaha nie je dokonale vodorovná, môžu byť prípadné rozdiely vykompenzované odskrutkovaním alebo zaskrutkovaním predných nožičiek (vid' obrázok); Uhol sklonu, nameraný na pracovnej ploche,

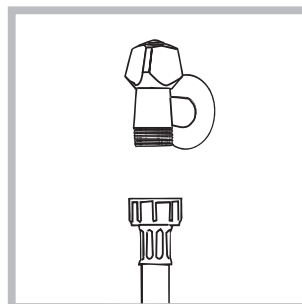
nesmie presiahnuť 2°.

Dokonalé vyrovnanie do vodorovnej polohy

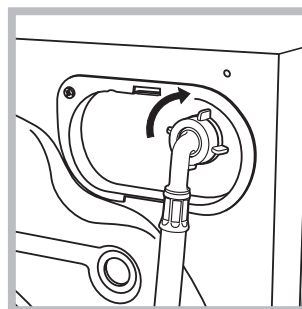
zabezpečí stabilitu zariadenia a zamedzí vzniku vibrácií a hluku počas činnosti. V prípade inštalácie na podlahovú krytinu alebo na koberec, nastavte nožičky tak, aby pod práčkou zostal dostatočný voľný priestor na ventiláciu.

Pripojenie k elektrickej a k vodovodnej sieti

Pripojenie prítokovej hadice vody



1. Pripojte prívodnú hadicu jej zaskrutkovaním ku kohútiku so studenou vodou, s hrdlom so závitom 3/4" (vid' obrázok). Pred pripojením hadice nechajte vodu odtiecť, až kým nebude číra.



2. Pripojte prítokovú hadicu k práčke, jej zaskrutkovaním k príslušnej prípojke na vodu, umiestnenej vpravo hore (vid' obrázok).

3. Zabezpečte, aby hadica nebola príliš ohnutá alebo stlačená.

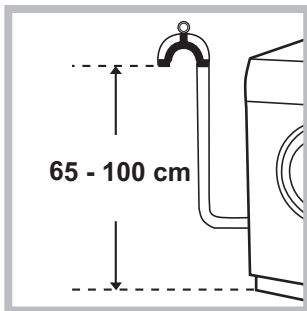
! Tlak v rozvode vody sa musí pohybovať v rozmedzí hodnôt uvedených v tabuľke s technickými údajmi (vid' vedľajšia strana).

! V prípade, že dĺžka prítokovej hadice nebude dostatočná, obráťte sa na špecializovanú predajňu alebo na autorizovaný technický personál.

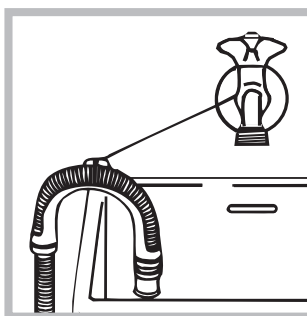
! Nikdy nepoužívajte už použité hadice.

! Používajte hadice z príslušenstva zariadenia.

Pripojenie vypúšťacej hadice



Pripojte vypúšťaciu hadicu k odpadovému potrubiu alebo k odpadu v stene, nachádzajúcom sa od 65 do 100 cm nad zemou; jednoznačne zamedzte jej ohybu.



alebo ju uchyťte k okraju umývadla či vane, a pripevnite vodiaci držiak z príslušenstva ku kohútu (vid' obrázok). Voľný koniec vypúšťacej hadice nesmie zostať ponorený do vody.

! Použitie predlžovacích hadíc sa neodporúča; ak je však nevyhnutné, predlžovacia hadica musí mať rovnaký priemer ako originálna hadica a jej dĺžka nesmie presiahnuť 150 cm.

Pripojenie k elektrickej sieti

Pred zasunutím zástrčky do zásuvky sa uistite, že:

- zásuvka je uzemnená a že vyhovuje normám;
- zásuvka je schopná uniesť maximálnu záťaž odpovedajúcu menovitému príkonu zariadenia, uvedenému v tabuľke s technickými údajmi (vid' vedľa);
- hodnota napájacieho napätia odpovedá údajom uvedeným v tabuľke s technickými údajmi (vid' vedľa);
- zásuvka je kompatibilná so zástrčkou práčky. V opačnom prípade je potrebné vymeniť zásuvku alebo zástrčku.

! Práčka nesmie byť umiestnená vonku – pod holým nebom, a to ani v prípade, keby sa jednalo o miesto chránené pred nepriazňou počasia, pretože je veľmi nebezpečné vystaviť ju dažďu a búrkam.

! Po ukončení inštalácie musí zásuvka zostať ľahko prístupná.



! Nepoužívajte predlžovacie káble a rozvodky.

! Kábel nesmie byť ohnutý alebo pritlačený.

! Výmena kábla musí byť zverená výhradne autorizovanému technickému personálu. Upozornenie! Výrobca neponesie žiadnu zodpovednosť za následky spôsobené nerešpektovaním týchto pokynov.

Prvý prací cyklus

Po inštalácii zariadenia je potrebné ešte pred jeho použitím vykonať jeden skúšobný cyklus s prácim prostriedkom a bez náplne prádla, nastavením pracieho programu „Samočistenie“ (vid' „Čistenie práčky“).

Technické údaje	
Model	XWDA 751480
Rozmery	šírka 59,5 cm výška 85 cm hĺbka 54 cm
Kapacita	od 1 do 7 kg pre pranie od 1 do 5 kg pre sušenie
Elektrické zapojenie	Vid štítok s technickými údajmi, aplikovaný na zariadení.
Pripojenie k rozvodu vody	maximálny tlak 1 MPa (10 bar) maximálny tlak 0,05 MPa (0.5 bar) kapacita bubna 52 litrov
Rýchlosť odstreďovania	a±z do 1400 otáčok za minútu
Kontrolný program podľa normy EN 50229	Pranie: program 8; teplota 60°C; náplň 7 kg prádla. Sušenie: menšia náplň (2kg) sa musí sušiť pri úrovni sušenia „☁“ a táto náplň musí obsahovať 2 plachty, 1 obliečky a 2 uteráky; zvyšná náplň sa musí sušiť pri úrovni sušenia „☀“.
	Toto zariadenie je v zhode s nasledujúcimi smernicami Európskej únie: - 2004/108/CE (Elektromagnetická kompatibilita) - 2006/95/CE (Nízke napätie) - 2012/19/EU
	

Údržba a starostlivosť

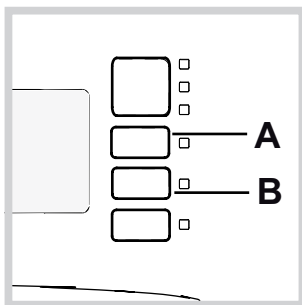
SK

Uzavretie prívodu vody a vypnutie elektrického napájania

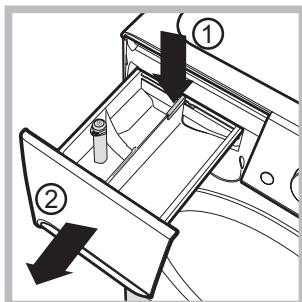
- Po každom praní zatvorte prívod vody. Týmto spôsobom sa znižuje opotrebenie rozvodu vody zariadenia a znižuje sa nebezpečenstvo úniku vody.
- Pred zahájením čistenia práčky a počas údržby je potrebné vytiahnuť zástrčku prívodného kábla zo zásuvky.

Čistenie práčky

- Vonkajšie časti a časti z gumy môžu byť čistené utierkou navlhčenou vo vlažnej vode a saponáte. Nepoužívajte rozpúšťadlá alebo abrazívne prostriedky.
- Práčka je vybavená programom „Samočistenie“ pre vyčistenie vnútorných častí, ktorý musí byť vykonaný **bez akéhokoľvek druhu náplne v bubne**. Prací prostriedok (množstvo rovnajúce sa 10% množstva odporúčaného pre čiastočne znečistené prádlo) alebo špecifické prídavné prostriedky pre čistenie práčky budú môcť byť použité ako pomocné prostriedky v pracovnom programe. Odporúča sa vykonať samočistiaci program každých 40 cyklov prania. Pre aktiváciu programu stlačte súčasne tlačidlá **A** a **B** na dobu 5 sekúnd (vid' obrázok). Program bude zahájený automaticky a bude trvať približne 70 minút. Cyklus je možné ukončiť stlačením tlačidla START/PAUSE.



Čistenie dávkovača pracích prostriedkov



Dávkovač vytiahnete tak, že stlačíte páčku (1) a potiahnete ho smerom von (2) (vid' obrázok). Dávkovač umyte pod prúdom vody; toto čistenie je potrebné vykonávať pravidelne.

Starostlivosť o dvierka a bubon

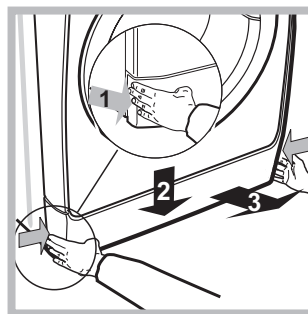
- Dvierka ponechajte zakaždým pootvorené, aby sa zabránilo tvorbe nepríjemných zápachov.

Čistenie čerpadla

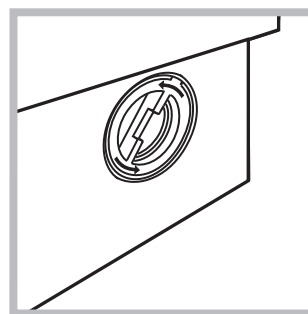
Súčasťou práčky je samočistiace čerpadlo, ktoré nevyžaduje údržbu. Môže sa však stať, že sa v jeho vstupnej ochrannnej časti, nachádzajúcej na spodku, zachytia drobné predmety (mince, gombíky).

! Uistite sa, že prací cyklus bol ukončený a vytiahnite zástrčku zo zásuvky.

Prístup k vstupnej časti čerpadla:



1. Odložte krycí panel na prednej strane zariadenia zatlačením na jeho stred a následným zatlačením smerom nadol z oboch strán a potom ho vytiahnite (vid' obrázok).



2. Odskrutkujte veko otáčaním proti smeru hodinových ručičiek (vid' obrázok): vytečenie malého množstva vody je úplne bežným javom;

3. dokonale vyčistite vnútro;
4. nasadte naspäť veko;
5. namontujte naspäť krycí panel, pričom sa pred jeho prisunutím k práčke uistite, že došlo k správne mu zachyteniu háčikov do príslušných otvorov.

Skontrolujte prítokovú hadicu vodu

Stav prítokovej hadice je potrebné skontrolovať aspoň raz ročne. Ak sú na nej viditeľné praskliny alebo trhliny, je potrebné ju vymeniť: silný tlak v hadici počas pracovného cyklu by mohol spôsobiť jej náhle roztrhnutie.

! Nikdy nepoužívajte už použité hadice.

! Práčka bola navrhnutá a vyrobená v súlade s platnými medzinárodnými bezpečnostnými predpismi. Tieto upozornenia sú uvádzané z bezpečnostných dôvodov a je potrebné si ich pozorne prečítať.

Základné bezpečnostné pokyny

- Toto zariadenie bolo navrhnuté výhradne na použitie ako spotrebič.
- Zariadenie nesmú používať osoby (vrátane detí) so zníženými fyzickými, senzorickými alebo mentálnymi schopnosťami a s nedostatočnými skúsenosťami a znalosťami, s výnimkou prípadu, keď je zariadenie používané pod dozorom alebo na základe pokynov osoby, zodpovednej za ich bezpečnosť. Deti musia byť pod dozorom, aby bolo zabezpečené, že sa so zariadením nehrajú.
 - Nesušte neoprané oblečenie.
 - Prádlo znečistené látkami ako je olej z varenia, acetón, lieh, benzín, kerozín, odstraňovače škvrín, terpentín, vosk a látky na jeho odstránenie, musí byť pred sušením v sušičke prádla vyprané v teplej vode s väčším množstvom pracieho prostriedku.
 - Predmety ako penová guma (latexová pena), sprchové čiapky, nepremokavé textilné látky, výrobky z jednej strany pogumované a šaty alebo hlavnice, ktoré majú časti z latexovej gummy, nesmú byť sušené v sušičke prádla.
 - Aviváž alebo podobné prostriedky musia byť používané v súlade s pokynmi výrobcu.
 - V poslednej fáze sušenia už nie je v sušičke prádla zvýšená teplota (chladiaci cyklus), aby sa sušené prádlo nepoškodilo.
- UPOZORNENIE: Nikdy nezastavujte sušičku prádla pred ukončením programu. Ak k tomu dôjde, rýchlo vyberte všetko prádlo zo sušičky a zaveste ho, aby sa rýchlo ochladilo.
- Nedotýkajte sa zariadenia bosí, alebo v prípade, keď máte mokré ruky alebo nohy.
- Nevyťahujte zástrčku zo zásuvky ťahaním za kábel, ale uchopením za zástrčku.
- Neotvárajte dávkovač pracích prostriedkov počas činnosti zariadenia.
- Nedotýkajte sa odčerpávanej vody, pretože môže mať veľmi vysokú teplotu.
- V žiadnom prípade sa nepokúšajte o násilné otvorenie dvierok: mohlo by dôjsť k poškodeniu bezpečnostného uzáveru, ktorý zabraňuje náhodnému otvoreniu.
- Pri výskyte poruchy sa v žiadnom prípade nepokúšajte o opravu vnútorných častí zariadenia.
- Vždy majte pod kontrolou deti a zabráňte tomu, aby sa približovali k zariadeniu počas pracieho cyklu.
- Počas pracieho cyklu majú dvierka tendenciu zohrievať sa.
- Ak je potrebné ju presunúť, je dobré poveriť dve alebo tri osoby a vykonať to s maximálnou pozornosťou. Nikdy sa nepokúšajte zariadenie premiestňovať sami, pretože je veľmi ťažké.

- Pred zahájením vkladania prádla skontrolujte, či je bubon prázdny.
- Dvierka sa počas sušenia zohrievajú.
- V sušičke nesušte prádlo umývané v zápalných rozpúšťadlách (napr. trichlóretylén).
- V sušičke nesušte materiály typu molitan alebo podobné.
- Ubezpeč sa, že počas sušenia bude prívod vody otvorený.

System automatického vyváženia náplne

Pred každým odstreďovaním bubon vykoná otáčanie rýchlosťou o málo prevyšujúcou rýchlosť prania, aby sa tak odstránili vibrácie a aby sa náplň rovnomerne rozložila. V prípade, že po niekoľko násobných pokusoch o vyváženie prádlo ešte nebude správne vyvážené, zariadenie vykoná odstreďovanie nižšou rýchlosťou, ako je prednastavená rýchlosť. Ak je práčka nadmerne nevyvážená, vykoná namiesto odstreďovania vyváženie. Za účelom dosiahnutia rovnomernejšieho rozloženia náplne a jej správneho vyváženia, odporúča sa pomiešať veľké a malé kusy prádla.

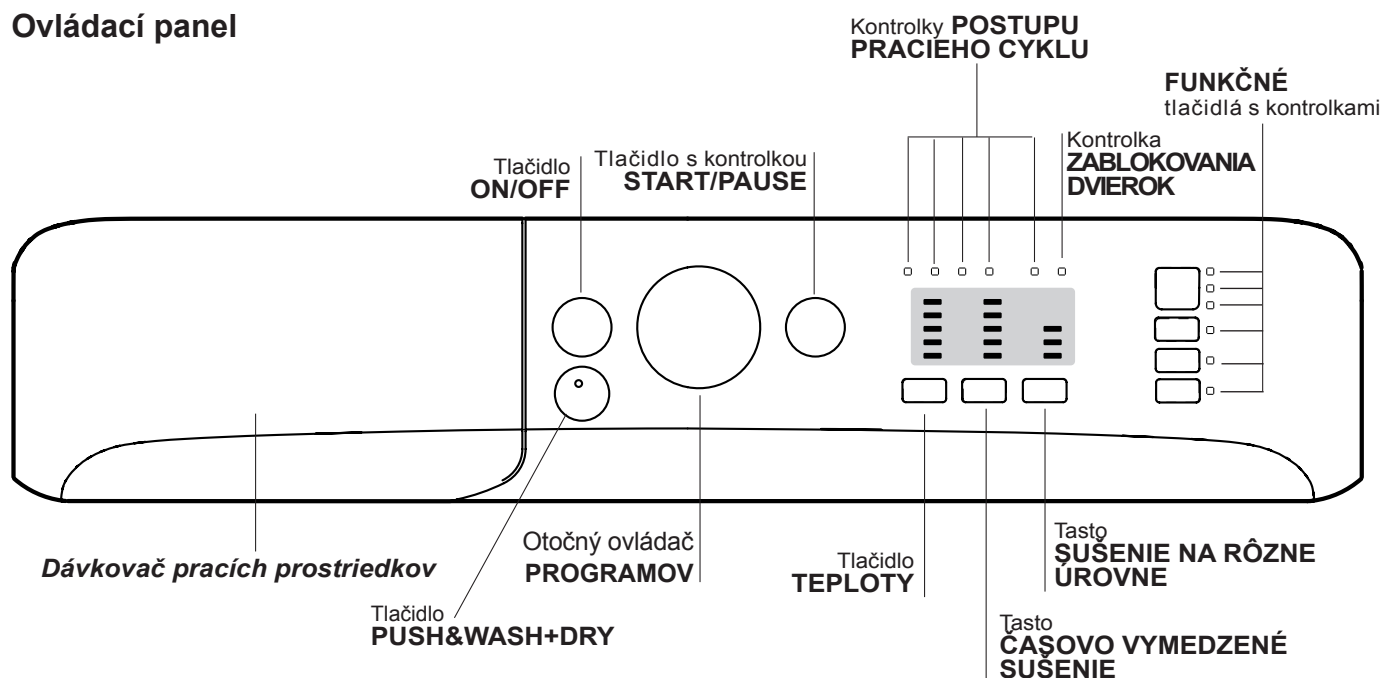
Likvidácia

- Likvidácia obalových materiálov: pri ich odstránení postupujte v súlade s miestnymi predpismi a dbajte na možnú recykláciu.
- Európska smernica 2012/19/EU o odpade tvorenom elektrickými a elektronickými zariadeniami predpokladá, že elektrospotrebiče nesmú byť likvidované v rámci bežného pevného komunálneho odpadu. Vyradené zariadenia musia byť zozbierané osobitne za účelom zvýšenia počtu recyklovaných a znovu použitých materiálov, z ktorých sa skladajú a zabráneniu možných ublížení na zdraví a škôd na životnom prostredí. Symbolom je preškrtnutý kôš uvedený na všetkých výrobkoch, s cieľom pripomenúť povinnosti spojené so separovaným zberom. Podrobnejšie informácie týkajúce sa správneho spôsobu vyradenia elektrospotrebičov z prevádzky môžu ich držiteľia získať od poverenej verejnej inštitúcie alebo na predajcu.

Popis práčky a zahájenie pracieho programu

SK

Ovládací panel



Dávkovač pracích prostriedkov: slúži na dávkovanie pracích prostriedkov a prídavných prostriedkov (vid' „Pracie prostriedky a prádlo“).

Tlačidlo ON/OFF: slúži na zapnutie a vypnutie práčky.

Tlačidlo PUSH&WASH+DRY: (vid' „Pracie Programy“).

Otočný ovládač PROGRAMOV: pre nastavenie pracích programov. Počas pracieho programu zostane v rovnakej polohe.

FUNKČNÉ tlačidlá s kontrolkami: Slúžia na voľbu jednotlivých dostupných funkcií. Kontrolka zvolenej funkcie zostane rozsvietená.

Tlačidlo TEPLoty: slúži na nastavenie teploty alebo prania alebo prania v studenej vode (vid' „Užívateľské nastavenia“).


Tlačidlo ČASOVO VYMEDZENÉ SUŠENIE: stlačte ho kvôli zvoleniu požadovanej doby sušenia; zvolená doba sušenia bude vyznačená vedľajšími kontrolkami.

Tlačidlo SUŠENIE NA RÔZNE ÚROVNE: stlačte ho kvôli zvoleniu požadovanej úrovne sušenia; zvolená úroveň sušenia bude vyznačená vedľajšími kontrolkami.

Kontrolky POSTUPU PRACIEHO CYKLU: slúžia na kontrolu postupu pracieho programu. Rozsvietená kontrolka poukazuje na prebiehajúcu fázu.

Kontrolka ZABLOKOVANIA DVIEROK: informuje o tom, či je možné otvoriť dverka (vid' vedľajšia strana).

Tlačidlo s kontrolkou START/PAUSE: slúži na zahájenie alebo na dočasné prerušenie programov.

POZN.: Stlačenie tohoto tlačidla slúži na prerušenie prebiehajúceho prania; príslušná kontrolka bude blikať oranžovým svetlom, zatiaľ čo kontrolka prebiehajúcej fázy zostane rozsvietená stálym svetlom. Keď bude kontrolka ZABLOKOVANIA DVIEROK  zhasnutá, bude možné otvoriť dverka (vyčkajte približne 3 minúty). Pre opätovné zahájenie prania z bodu, v ktorom bolo prerušené, opätovne stlačte toto tlačidlo.

Pohotovostný režim

Po skončení cyklu alebo v case, keď nie je spustený žiaden cyklus, po 30 minútach dôjde k vypnutiu zariadenia kvôli energetickej úspore. Na obnovenie činnosti zariadenia, nachádzajúceho sa v pohotovostnom režime, stačí stlačiť tlačidlo ON/OFF.

Spotreba v off-mode: 0,5 W





Spotreba v Left-on: 8 W

Kontrolky

Kontrolky sú zdrojom dôležitých informácií. Informujú o nasledujúcich skutočnostiach:

Kontrolky prebiehajúcej fázy

Po zvolení a zahájení požadovaného pracieho cyklu dôjde k postupnému rozsvetovaniu kontroliek informujúcich o jeho postupe.

Pranie	
Plákanie	
Odstreďovanie/Odčerpanie vody	
Sušenie	
Ukončenie prania	END

Funkčné tlačidlá a príslušné kontrolky

Po zvolení konkrétnej funkcie dôjde k rozsvieteniu príslušnej kontrolky. Keď zvolenú funkciu nie je možné zaradiť do nastaveného programu, príslušná kontrolka bude blikať, budete počuť akustický signál a funkcia nebude aktivovaná.

Ak zvolenú funkciu nie je možné použiť s inou, už nastavenou funkciou, táto nekompatibilita bude signalizovaná blikaním kontrolky a akustickým signálom (3 pípnutia) a bude aktivovaná len druhá možnosť; kontrolka aktivovanej možnosti sa rozsvieti

Kontrolka zablokovania dvierok

Rozsvietenie tejto kontrolky signalizuje, že dvierka sú zaistené kvôli zamedzeniu ich náhodnému otvoreniu; aby sa dvierka nepoškodili, pred ich otvorením je potrebné vyčkať, kým uvedená kontrolka nezhasne (vyčkajte približne 3 minúty). Na otvorenie dvierok v priebehu pracieho cyklu stlačte tlačidlo START/PAUSE; keď bude kontrolka ZABLOKOVANIA DVIEROK zhasnutá, bude možné dvierka otvoriť.

Zahájenie pracieho programu

Rýchle nastavenie programu

- 1. NAPLNĚTE PRÁČKU PRÁDLOM.** Otvorte dvierka. Naplňte práčku prádлом pričom dbajte, aby nedošlo k prekročeniu množstva náplne, uvedeného v tabuľke programov na nasledujúcej strane.
- 2. NAPLNĚTE DÁVKOVAČ PRACÍCH PROSTRIEDKOV.** Vytiahnite dávkovač pracích prostriedkov a naplňte prací prostriedok do príslušných priehradiek, spôsobom vysvetleným v časti "Pracie prostriedky a prádlo".
- 3. ZATVORTE DVIERKA.**
- 4. Zahájte program stlačením tlačidla „Push&Wash+Dry“.**

Tradičné nastavenie programu

- 1.** Zapnite práčku stlačením tlačidla ON/OFF. Všetky kontrolky sa rozsvetia na niekoľko sekúnd a potom zostanú svietiť tie kontrolky, ktoré súvisia so zvoleným programom, a bude blikať kontrolka START/PAUSE.
- 2.** Naplňte práčku a zatvorte dvierka.

3. Otočným ovládačom PROGRAMOV zvolte požadovaný prací program.


4. Nastavte teplotu prania (vid' „Užívateľské nastavenia“).

5. Podľa potreby nastavte druh sušenia (vid' „Užívateľské nastavenia“).

6. slúži na dávkovanie pracieho prostriedku a prídavných prostriedkov (vid' „Pracie prostriedky a prádlo“).

7. Zvolte požadované funkcie.

8. Zahájte prací program stlačením tlačidla START/PAUSE; príslušná kontrolka zostane rozsvietená stálym svetlom zeleným farby. Zrušenie nastaveného pracieho cyklu sa vykonáva prerušením činnosti zariadenia stlačením tlačidla START/PAUSE a voľbou nového cyklu.

9. Po ukončení pracieho programu sa rozsvieti kontrolka END. Po zhasnutí kontrolky ZABLOKOVANIA DVIEROK  bude možné dvierka otvoriť (vyčkajte približne 3 minúty). Vytiahnite prádlo a nechajte dvierka pootvorené, aby bolo umožnené vysušenie bubna. Zapnite práčku stlačením tlačidla ON/OFF.

Pracie programy

SK

Push&Wash+Dry

Táto funkcia umožňuje zahájiť automatický cyklus prania a sušenia aj pri vypnutom zariadení bez toho, aby bolo potrebné najskôr stlačiť tlačidlo ON/OFF alebo následne, pri zapnutí zariadenia, bez použitia akéhokoľvek ďalšieho tlačidla a/alebo otočného ovládača (v opačnom prípade bude program Push&Wash+Dry zrušený). Kvôli zahájeniu cyklu Push&Wash+Dry držte stlačené tlačidlo na 2 sekundy. Rozsvietená kontrolka signalizuje, že cyklus bol zahájený. Tento cyklus prania a sušenia je ideálny pre bavlnené a syntetické prádlo, s teplotou 30 °C a maximálnou rýchlosťou odstreďovania 1000 otáčok za minútu. Maximálna teplota dosiahnutá počas sušenia je približne 60 °C. Po skončení programu odpovedá zvyšková vlhkosť úrovni vhodnej pre "☁". Max. odporúčaná náplň 2,5 kg. (Doba trvania cyklu 210').

Správny postup

1. Naložte do pračky prádlo (bavlnené a/alebo syntetické) a zatvorte dvierka.
2. Nadávajte prací prostriedok a prídavné prostriedky.
3. Zahajte program stlačením tlačidla Push&Wash+Dry na 2 sekundy. Príslušná kontrolka sa rozsvieti stálym zeleným svetlom a dôjde k zablokovaniu dvierok (symbol dvierok zostane rozsvietený).
POZN.: Zahájenie programu tlačidlom Push&Wash+Dry aktivuje automatický cyklus prania a sušenia odporúčaný pre bavlnené a syntetické prádlo, ktorý nie je možné ďalej užívateľsky prispôbovať.
4. Automatický cyklus je možné použiť len na pranie s vylúčením sušenia. Po stlačení tlačidla Push&Wash+Dry stlačte tlačidlo sušenia ; ikona sušenia, odpovedajúca úrovni vhodnej na "☁", zhasne. Max. náplň pre samotné pranie je 3,5 kg (Doba trvania cyklu 50'). Program nie je možné ďalej užívateľsky prispôbovať.
- Kvôli otvoreniu dvierok v priebehu automatického cyklu stlačte tlačidlo START/PAUSE; keď symbol zablokovaných dvierok zhasne, bude možné otvoriť dvierka (výhradne počas fázy prania). Opätovným stlačením tlačidla START/PAUSE opätovne uvedte do činnosti prací program z bodu, v ktorom bol prerušený.
5. Po skončení pracieho programu sa rozsvieti kontrolka END.

Tabuľka pracích programov

Pracie programy	Popis programu	Max. teplota (°C)	Max. rýchlosť (otáčky za minútu)	Sušenie	Maximálna náplň pre sušenie (Kg)	Pracie prostriedky a prídavné prostriedky				Maximálna náplň pre pranie (Kg)	Doba trvania pracieho cyklu
						Predpranie	Pranie	Aviváž	Bieliaci prostriedok		
Špeciálne											
1	Sport	30°	600	●	3	-	●	●	-	3,5	55'
2	Tmavé	30°	800	●	2,5	-	●	●	-	4	70'
3	Zabránenie zápachu (Bavlna)	60°	1000	●	3,5	-	●	●	-	3,5	110'
3	Zabránenie zápachu (Syntetické)	40°	1000	●	3	-	●	●	-	3,5	100'
4	Jemné	30°	0	●	1	-	●	●	-	1	80'
5	Vlna: Pre vlnu, kašmír, atď.	40°	800	●	1,5	-	●	●	-	1,5	70'
6	Rýchle pranie 30'	30°	800	●	3	-	●	●	-	3	30'
Standard											
7	Bavlna s predpieraním: Mimoriadne znečistené biele prádlo.	90°	1400	●	5	●	●	●	-	7	170'
8	štandardné programy pre bavlnu 60°C (1): Značne znečistené biele a farebné prádlo z odolných tkanín.	60° (Max. 90°)	1400	●	5	-	●	●	-	7	170'
9	Syntetické: Veľmi znečistené farebné prádlo z odolných tkanín.	60°	800	●	3	-	●	●	-	3,5	110'
10	Farebné (2)	40°	1400	●	5	-	●	●	-	7	100'
11	Eco Bavlnu 20°C: Málo znečistené biele a farebné prádlo z chúlостivých tkanín.	20°	1400	●	5	-	●	●	-	7	170'
12	Eco Syntetické	20°	800	●	5	-	●	●	-	7	120'
Automatický											
13	Pranie A Sušenie 45'	30°	1400	●	1	-	●	●	-	1	45'
14	AirFresh	-	-	●	1,5	-	-	-	-	-	30'
Dielčie											
	Plákanie/Bieliaci prostriedok	-	1400	●	5	-	-	●	●	7	50'
	Odstreďovanie + Odčerpanie vody	-	1400	●	5	-	-	-	-	7	10'

Doba trvania cyklu, uvedená na displeji alebo v návode, je stanovená na základe štandardných podmienok. Skutočná doba sa môže meniť v závislosti na mnohých faktoroch, ako sú napr. teplota a tlak vody na vstupe, teplota prostredia, množstvo pracieho prostriedku, množstvo a druh náplne, vyváženie náplne a zvolené funkcie.

Pre všetky Test Institutes:

- 1) Skúšobný program podľa normy EN 50229: nastavte program 8 s teplotou 60°C.
- 2) Dlhý program na pranie bavlny: nastavte program 10 s teplotou 40°C.

Nastavenie teploty

Stlačením tlačidla TEPLoty sa nastavuje teplota prania (viď *Tabuľka programov*).

Teplota môže byť postupne znižovaná až po pranie v studenej vode (☼). Zariadenie automaticky zabráni nastaveniu vyššej teploty ako je maximálna teplota pre každý prací program.

! Výnimka: pri voľbe programu 8 bude možné zvýšiť teplotu až na 90°C.

Nastavte druh sušenia

K dispozícii sú dva druhy sušenia, časovo vymedzené a na rôzne úrovne.

Stlačením tlačidla ČASOVO VYMEDZENÉ SUŠENIE ☼ sa nastavuje požadovaná doba trvania sušenia: **40' - 90' - 120' - 150' - 180'**.

Pri prvom stlačení tlačidla bude nastavená minimálna doba, určená pre nastavený program.

Keď zariadenie zahájilo sušenie, následným stlačením tlačidla ČASOVO VYMEDZENÉ SUŠENIE bude možné znížiť predtým nastavenú dobu trvania sušenia. Kontrolky budú informovať o novo zvolenej dobe trvania sušenia a zvyšná doba zohľadní tiež už uplynutú dobu sušenia.

Stlačením tlačidla SUŠENIE NA RÔZNE ÚROVNE ☼ sa nastavuje požadovaná úroveň sušenia:

Skriňa ☼: Vhodné pre prádlo určené na odloženie do skrine bez potreby jeho vyžehlenia.

Zavesenie ☼: Ideálne pre prádlo, ktoré nevyžaduje úplné vysušenie.

Žehlenie ☼: Určené pre prádlo, ktoré musí byť následne žehlené. Úroveň zvyškovej vlhkosti zjemní záhyby a uľahčí ich odstránenie.

Keď je vo výnimočných prípadoch množstvo prádla vyššie ako maximálne povolená náplň, vykonajte prací cyklus a po jeho ukončení prádlo rozdeľte a jednu z dvoch častí vložte naspäť do bubna. Ďalej sa riadte pokynmi pre **samotné sušenie**. Zopakujte rovnaký postup aj pri sušení zostávajúcej časti prádla. Po ukončení sušenia bude zakaždým nasledovať fáza ochladenia prádla.

Poznámka: Keď sú všetky kontrolky sušenia zhasnuté, zariadenie **nevykoná** sušenie.

Samotné sušenie

Samotné sušenie

Stlačte tlačidlo ☼ kvôli vykonaniu samotného sušenia. Po zvolení požadovaného programu, vhodného pre daný druh prádla, sa po stlačení tlačidla ☼ vylúči pranie a bude aktivované sušenie s maximálnou úrovňou, určenou pre zvolený program. Je možné zmeniť a nastaviť úroveň alebo dobu trvania sušenia stlačením tlačidiel sušenia ☼, ☼. (nie je vhodné pre programy 13 a 14).

Umyť možnosti

Jednotlivé funkcie, ktorými práčka disponuje, umožňujú dosiahnuť požadovaný stupeň čistoty a belosti praného prádla.

Spôsob aktivácie jednotlivých funkcií:

1. stlačte príslušné tlačidlo požadovanej funkcie;
2. rozsvietenie príslušnej kontrolky signalizuje, že došlo k aktivácii zvolenej funkcie.

Poznámka: Rýchle blikanie kontrolky signalizuje, že príslušná funkcia je nepoužiteľná počas nastaveného pracieho programu.

Odstránenie škvŕn

Táto funkcia slúži na voľbu druhu znečistenia tak, aby došlo k optimálnemu prispôsobeniu cyklu kvôli odstráneniu škvŕn.

K druhom znečistenia patria:

- **Jedlo**, ktoré spôsobuje napr. škvŕny z potravín a nápojov.
- **Práca**, pri ktorej vznikajú napr. škvŕny z mazacieho tuku a atramentu.
- **Činnosť vonku**, pri ktorej vznikajú napr. škvŕny od blata a trávy.

! Doba trvania pracieho cyklu sa mení v závislosti na druhu zvoleného znečistenia.

! Túto funkciu nie je možné aktivovať v programoch 1-2-3-4-5-6-7-10-11-12-13-14-☼-☼.

½☼

Stlačením tohoto tlačidla dôjde k zníženiu rýchlosti odstreďovania.

! Túto funkciu nie je možné aktivovať v programoch 4-13-14.

Extra Plákanie

Voľbou tejto voliteľnej funkcie sa zvýši účinnosť plákania a zaisť sa maximálny stupeň odstránenia pracieho prostriedku. Je užitočná hlavne pre mimoriadne citlivé pokožky.

! Túto funkciu nie je možné aktivovať v programoch 2-4-6-13-14-☼.

Tabuľka doby Sušenia (Orientačné hodnoty)

Druh tkaniny	Druh náplne	Max. nápln (kg)	Skriňa ☼	Zavesenie ☼	Žehlenie ☼
Bavlna	Prádlo rôznych rozmerov, Froté uteráky	5	250	210	190
Syntetika	Prestieradlá, košele	3	180	130	115
Vlna	Svetre, pulóvre, atď	1,5	155	135	115

Pracie prostriedky a prádlo

SK

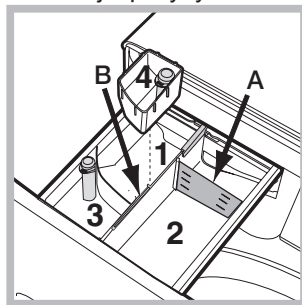
Dávkovač pracích prostriedkov

Dobrý výsledok prania závisí aj od správneho dávkovania pracieho prostriedku: použitie nadmerného množstva znižuje efektivitu prania a napomáha tvorbe vodného kameňa na vnútorných častiach práčky a zvyšuje znečistenie životného prostredia.

! Nepoužívajte pracie prostriedky určené na pranie v rukách, pretože spôsobujú tvorbu nadmerného množstva peny.

! Používajte práškové pracie prostriedky pre biele bavlnené prádlo a pre predpieranie a pre pranie pri teplote vyššej ako 60 °C.

! Dodržujte pokyny uvedené na obale pracieho prostriedku.



Pri vyťahovaní dávkovača pracích prostriedkov a pri jeho plnení pracími alebo prídavnými prostriedkami postupujte nasledovne.

Priehradka 1: Prací prostriedok na predpieranie (práškový)

Pred naplnením priehradky pracím prostriedkom sa uistite,

že v dávkovači nie je vložená prídavná priehradka 4.

Priehradka 2: Prací prostriedok na pranie (práškový alebo tekutý)

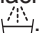
V prípade použitia tekutého pracieho prostriedku sa odporúča použiť pre správne dávkovanie malú prepážku A z príslušenstva. Pre použitie práškového pracieho prostriedku vložte malú prepážku do priehlbiny B.

Priehradka 3: Prídavné prostriedky (aviváž, atď.)

Aviváž nesmie prekročiť úroveň „max.“, vyznačenú na stupnici.

prídavná priehradka 4: Bieliaci prostriedok

Cyklus bielenia

Vložte prídavnú vaničku 4 z príslušenstva do priehradky 1. Pri dávkovaní bieliaceho prostriedku neprekročte hladinu „max“, vyznačenú na stupnici. Ak si prajete vykonať samostatné bielenie, nalejte bieliaci prostriedok do prídavnej vaničky 4 a nastavte program .

! Tradičný bieliaci prostriedok sa používa pre odolnú bielu bielizeň, jemný na farebnú a syntetickú bielizeň a na vlnu.

Príprava prádla

- Roztriedte prádlo podľa:
 - druhu tkaniny / symbolu na visačke.
 - farby: oddel'te farebné prádlo od bieleho.
- Vyprázdnite vrecká a skontrolujte gombíky.
- Neprekračujte povolenú náplň, vzťahujúcu sa na hmotnosť suchého prádla: viď „Tabuľka pracích programov“.

Koľko váži prádlo?


- 1 plachta 400-500 g
- 1 obliečka 150-200 g
- 1 obrus 400-500 g
- 1 župan 900-1.200 g
- 1 uterák 150-250 g

Prádlo vyžadujúce osobitnú starostlivosť

Sport (program 1) bol navrhnutý pre mierne znečistené tkaniny športového oblečenia (teplákové súpravy, šortky, atď.); pre dosiahnutie optimálnych výsledkov sa odporúča neprekračovať maximálnu náplň uvedenú v „Tabuľka pracích programov“. Odporúča sa použiť tekutý prací prostriedok a použiť dávku vhodnú pre polovičnú náplň.

Tmavé: použite program 2 pre pranie prádla tmavej farby. Program je navrhnutý pre dlhodobé zachovanie tmavých farieb. Pre dosiahnutie čo najlepších výsled-

kov sa odporúča použiť tekutý prací prostriedok pre pranie tmavého prádla.

Ak zvolíte sušenie, bude na konci prania automaticky vykonané jemné sušenie, ktoré chráni farby prádla. Na displeji bude zobrazená úroveň . Max. náplň: 2,5 kg.

Zabránenie zápachu: program 3 sa používa na pranie bielizne, pri ktorej je potrebné zabezpečiť odstránenie nepríjemného zápachu (napr. dymu, potu, vyprázaných jedál, atď.). Tento program bol navrhnutý pre odstránenie nepríjemného zápachu s ohľadom na vlákna tkanín. Odporúča sa prať syntetickú alebo zmiešanú bielizeň pri teplote 40°C a bielizeň z odolnej bavlny pri teplote 60°C.

Jemné: na pranie veľmi jemnej bielizne použite program 4. Odporúča sa prevrátiť pred praním bielizeň naruby. Pre dosiahnutie najlepších výsledkov sa odporúča použiť tekutý prací prostriedok na jemnú bielizeň.

Po zvolení funkcie výhradne časovo vymedzeného sušenia, prebehne na konci prania mimoriadne jemné sušenia, vďaka miernemu pohybu a prúdu vzduchu s vhodne riadenou teplotou.

Odporúčané doby sú:

- 1 kg syntetického prádla --> 150 min.
- 1 kg syntetického a bavlneného prádla --> 180 min.
- 1 kg bavlneného prádla --> 180 min.

Stupeň vysušenia bude závisieť od náplne a od druhu tkaniny.

Vlna: prací cyklus „Vlna“ práčky bol testovaný a schválený spoločnosťou Woolmark Company pre pranie prádla z vlny, klasifikovaného ako prádlo pre ručné pranie, za podmienky, že pranie bude vykonané v súlade s pokynmi uvedenými na visačke oblečenia a pokynmi dodanými výrobcom tejto práčky. (M1126)



Rýchle pranie 30' (program 6) tento cyklus bol navrhnutý na pranie mierne znečistenej bielizne pri teplote 30°C (s výnimkou vlny a hodvábu) s maximálnou náplňou 3 kg v priebehu krátkej doby: Trvá len 30 minút a šetrí čas i energiu.

Farebné: použite program 10 pre pranie prádla svetlej farby. Program je navrhnutý pre dlhodobé zachovanie živých farieb.

Eco Bavlnu 20°C (program 11) ideálny pre náplne z nečistenej bavlny. Účinné pranie i za studena, porovnateľné s raním pri 40 °C, dosiahnuté mechanickým pôsobením, ktoré je založené na zmene rýchlosti v krátkych alebo dlhých intervaloch.

Eco Syntetické (program 12) ideálny pre zmiešané náplne (bavlna a syntetika) stredne znečisteného prádla. Účinné pranie i za studena je dosiahnuté mechanickým pôsobením, ktoré je založené na zmene rýchlosti v stredných alebo určených intervaloch.

Pranie a Sušenie 45' (program 13): bol navrhnutý pre pranie mierne znečisteného oblečenia počas krátkej doby: Pri voľbe tohto cyklu je možné oprat' a vysušiť až do 1 kg prádla iba za 45 minút. Pre dosiahnutie optimálnych výsledkov použite tekutý prací prostriedok; predbežne predperte manžety, goliere a škrvny.

AirFresh (program 14) predstavuje ideálny program pre oživenie bavlneného a syntetického prádla (max. 1,5 kg) a odstránenie nepríjemných zápachov, hlavne z fajčenia, v priebehu 30', bez fázy prania.

Môže sa stať, že práčka nebude fungovať. Skôr, ako zatelefonujete na Servisnú službu *vid' „Servisná služba“*) skontrolujte, či sa nejedná o problém ľahko odstrániteľný pomocou nasledujúceho zoznamu.

Poruchy:

Práčku nie je možné zapnúť.

Nedochádza k zahájeniu pracovného cyklu.

Práčka nenapúšťa vodu (rýchle bliká kontrolka prvej fázy prania).

Práčka nepretržite napúšťa a odčerpáva vodu.

Práčka neodčerpáva vodu alebo neodstredzuje.

Práčka vo fáze odstredzovania veľmi vibruje.

Z práčky uniká voda.

Kontrolky „voliteľné funkcie“ a kontrolka „start/pause“ blikajú a jedna z kontroliek „prebiehajúca fáza“ a „zablokované dvierka“ sa rozsvieti stálym svetlom.

Dochádza k tvorbe nadmerného množstva peny.

Nedochádza k aktivácii cyklu Push&Wash+Dry.

Práčka nesuší.

Možné príčiny / Spôsob ich odstránenia:

- Zástrčka nie je zasunutá v elektrickej zásuvke, alebo nie je zasunutá dostatočne, aby došlo k spojeniu kontaktov.
- V celom dome je vypnutý prúd.
- Nie sú riadne zatvorené dvierka.
- Nebolo stlačené tlačidlo ON/OFF.
- Nebolo stlačené tlačidlo START/PAUSE.
- Nebol otvorený kohútik prívodu vody.
- Prítoková hadica nie je pripojená k vodovodnému kohútiku.
- Hadica je príliš ohnutá.
- Nebol otvorený kohútik prívodu vody.
- V celom dome je uzatvorený prívod vody.
- V rozvode vody nie je dostatočný tlak.
- Nebolo stlačené tlačidlo START/PAUSE.
- Vypúšťacia hadica sa nachádza mimo určeného rozmedzia od 65 do 100 cm nad zemou (*vid' „Inštalácia“*).
- Koncová časť vypúšťacej hadice je ponorená vo vode (*vid' „Inštalácia“*).
- Odpadové potrubie v stene nie je vybavené odvzdušňovacím otvorom. Ak po týchto kontrolách nedôjde k odstráneniu problému, zatvorte vodovodný kohútik, vypnite práčku a zavolajte Servisnú službu. V prípade, že sa byt nachádza na jednom z najvyšších poschodí je možné, že dochádza k sifónovému efektu, následkom ktorého práčka nepretržite napúšťa a odčerpáva vodu. Na odstránenie uvedeného efektu sú v predaji bežne dostupné špeciálne „protisifónové“ ventily.
- Odčerpanie vody netvorí súčasť nastaveného programu: pri niektorých programoch je potrebné aktivovať ho manuálne.
- Vypúšťacia hadica je ohnutá (*vid' „Inštalácia“*).
- Odpadové potrubie je upchaté.
- Počas inštalácie nebol bubon odistený predpísaným spôsobom (*vid' „Inštalácia“*).
- Práčka nie je dokonale vyrovnaná do vodorovnej polohy (*vid' „Inštalácia“*).
- Zariadenie je stlačené medzi nábytkom a stenou (*vid' „Inštalácia“*).
- Prítoková hadica nie je správne zaskrutkovaná (*vid' „Inštalácia“*).
- Dávkovač pracích prostriedkov je upchatý (spôsob jeho vyčistenia je uvedený v časti *„Údržba a starostlivosť“*).
- Vypúšťacia hadica nie je dobre pripevnená (*vid' „Inštalácia“*).
- Vypnite zariadenie a vytiahnite zástrčku zo zásuvky, vyčkajte 1 minútu a opätovne ho zapnite.
Ak porucha pretrváva, obráťte sa na Servisnú službu.
- Použitý prací prostriedok nie je vhodný na použitie v automatickej práčke (musí obsahovať označenie „pre pranie v práčke“, „pre pranie v rukách alebo v práčke“ alebo podobné označenie).
- Bolo použité jeho nadmerné množstvo.
- Po zapnutí zariadenia bol aktivovaný iný ovládaci príkaz ako Push&Wash+Dry. Vypnite zariadenie a stlačte tlačidlo Push&Wash+Dry.
- Zástrčka nie je zasunutá v zásuvke, alebo nie dostatočne na to, aby došlo k spojeniu kontaktov.
- V celom dome je vypnutý prúd.
- Dvierka nie sú správne zatvorené.
- Všetky kontrolky sušenia, sú zhasnuté.

Servisná služba

SK

Pred obrátením sa na Servisnú službu:


- Skontrolujte, či nie ste schopní poruchu odstrániť sami (vid' „*Poruchy a spôsob ich odstránenia*“);
- Opätovne uveďte do chodu prací program, s cieľom overiť, či bola porucha odstránená;
- V opačnom prípade sa obráťte na Centrum servisnej služby, na telefónnom čísle uvedenom na záručnom liste.

! Nikdy sa neobracajte so žiadosťou o pomoc na technikov, ktorí nie sú na vykonávanie tejto činnosti oprávnení.

Pri hlásení poruchy uveďte:

- druh poruchy;
- model zariadenia (Mod.);
- výrobné číslo (S/N).

Tieto informácie sú uvedené na štítku aplikovanom na zadnej časti práčky a v jej prednej časti, dostupnej po otvorení dvierok.

!  Acest simbol îți amintește să citești acest manual de instrucțiuni.

RO

RO

Română

XWDA 751480

Sumar

Instalare, 62-63

Despachetare și punere la nivel
Racorduri hidraulice și electrice
Primul ciclu de spălare
Date tehnice

Întreținere și curățire, 64

Înteruperea alimentării cu apă și curent electric
Curățarea mașinii de spălat
Curățarea sertarului pentru detergenți
Îngrijirea ușii și a tamburului
Curățarea pompei
Controlarea furtunului de alimentare cu apă

Precauții și sfaturi, 65

Siguranța generală
Sistemul de echilibrare a încărcăturii
Scoaterea aparatului din uz

Descrierea mașinii de spălat și activarea unui program, 66-67

Panoul de control
Indicatoare luminoase
Activarea unui program

Programe, 68

Push&Wash+Dry
Tabel de programe

Personalizare, 69

Reglarea temperaturii
Alegerea programului de uscării
Spală opțiuni

Detergenți și rufe, 70

Sertarul detergenților
Ciclu de albire
Pregătirea rufelor
Programe particulare

Anomalii și remedii, 71

Asistență, 72

Instalare

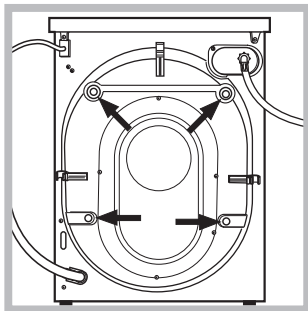
RO

! Este important să păstrați acest manual pentru a-l putea consulta în orice moment. În caz de vânzare, de cesiune sau de schimbare a locuinței, acesta trebuie să rămână împreună cu mașina de spălat pentru a informa noul proprietar cu privire la funcționare și la respectivele avertismente. ! Citiți cu atenție instrucțiunile: veți găsi informații importante cu privire la instalare, la folosire și la siguranță.

Despachetare și punere la nivel

Despachetare

1. Scoaterea din ambalaj a mașinii de spălat.
2. Controlați ca mașina de spălat să nu fi fost deteriorată în timpul transportului. Dacă este deteriorată, nu o conectați și contactați agentul de vânzare.

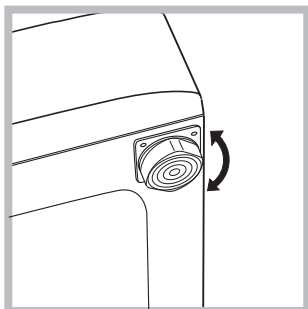


3. Scoateți cele 4 șuruburi de protecție pentru transport și cauciucul cu distanțierul respectiv, situate în partea posterioară (a se vedea figura).

4. Închideți orificiile cu dopurile din plastic aflate în dotatie.
5. Păstrați toate piesele: pentru cazul în care mașina de spălat va trebui să fie transportată, piesele vor trebui montate din nou. ! Ambalajele nu sunt jucării pentru copii!

Punere la nivel

1. Instalați mașina de spălat pe un paviment plan și rigid, fără a o sprijini de ziduri, mobilă sau altceva.



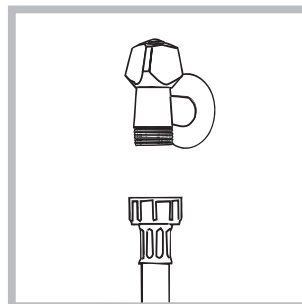
2. Dacă podeaua nu este perfect orizontală, compensați neregularitățile deșurubând sau înșurubând picioarele anterioare (a se vedea figura); unghiul de înclinare, măsurat pe planul de

lucru, nu trebuie să depășească 2°.

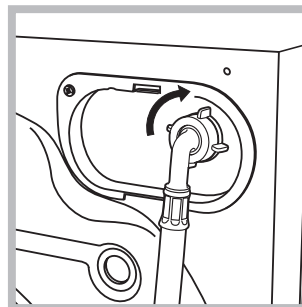
O nivelare precisă conferă stabilitate mașinii și evită vibrații, zgomote și deplasări pe timpul funcționării. În cazul mochetelor sau a unui covor, reglați picioarele astfel încât să mențineți sub mașina de spălat un spațiu suficient pentru ventilare.

Racorduri hidraulice și electrice

Racordarea furtunului de alimentare cu apă



1. Conectați furtunul de alimentare, înșurubându-l la un robinet de apă rece cu gura filetată de l gaz (a se vedea figura). Înainte de conectare, lăsați apa să curgă până când nu a devenit limpede.



2. Conectați tubul de alimentare la mașina de spălat, înșurubându-l la priza de apă respectivă, amplasată în partea posterioară, sus în dreapta (a se vedea figura).

3. Fiți atenți ca furtunul să nu fie nici pliat, nici îndoit.

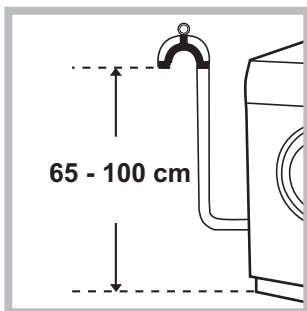
! Presiunea apei de la robinet trebuie să fie cuprinsă în valorile din tabelul cu Date tehnice (a se vedea pagina alăturată).

! Dacă lungimea furtunului de alimentare nu este suficientă, adresați-vă unui magazin specializat sau unui instalator autorizat.

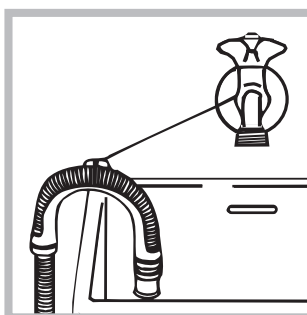
! Nu folosiți niciodată tuburi folosite deja.

! Utilizați tuburile furnizate cu mașina.

Conectarea furtunului de golire



Conectați furtunul de evacuare, fără al îndoi, la o conductă sau la o gură de evacuare în zid, situate între 65 și 100 cm de pământ;



sau sprijiniți pe marginea unei chiuvete sau a unei căzi, legând elementul de ghidare la robinet (a se vedea figura). Capătul liber al furtunului de golire nu trebuie să rămână cufundat în apă.

! Nu se recomandă folosirea furtunurilor prelungitoare; dacă este indispensabil, acestea trebuie să aibă același diametru ca și furtunul original și nu trebuie să depășească 150 cm lungime.

Racordarea electrică

Înainte de a introduce ștecherul în priză de curent, asigurați-vă că:

- priza să fie cu împământare și conformă prevederilor legale;
- priza să poată suporta sarcina maximă de putere a mașinii, indicată în tabelul cu Date tehnice (a se vedea alături);
- tensiunea de alimentare să fie cuprinsă în valorile indicate în tabelul cu Date tehnice (a se vedea alături);
- priza să fie compatibilă cu ștecherul mașinii de spălat. În caz contrar înlocuiți priza sau ștecherul.

! Mașina de spălat nu trebuie instalată afară, nici chiar în cazul în care spațiul este adăpostit, deoarece este foarte periculoasă expunerea mașinii la ploaie și furtuni.

! După instalarea mașinii de spălat, priză de curent trebuie să fie ușor accesibilă.

! Nu folosiți prelungitoare și prize multiple.

! Cablul nu trebuie să fie îndoit sau comprimat.


! Cablul de alimentare trebuie să fie înlocuit doar de instalatorii autorizați.

Atenție! Firma își declină orice responsabilitate în cazul în care aceste norme nu se respectă.

Primul ciclu de spălare

După instalare, înainte de folosire, efectuați un ciclu de spălare cu detergent și fără rufe, selectând programul „AUTOCURĂȚARE” (a se vedea „Curățarea mașinii de spălat”).

Date tehnice

Model	XWDE 751480
Dimensiuni	lățime 59,5 cm înălțime 85 cm profundime 54 cm
Capacitate	de la 1 la 7 kg pentru spălare de la 1 la 5 kg pentru uscare
Legături electrice	Vezi placuta cu caracteristicile tehnice, aplicata pe masina.
Legături hidrice	presiune maximă 1 MPa (10 bari) presiune minimă 0,05 MPa (0,5 bari) capacitatea cuvei 52 litri
Viteza de centrifugare	până la 1400 de rotații pe minut
Programe de control pe baza normei EN 50229	spălare: programul 8 temperatura 60°C; efectuată cu 7 kg de rufe. uscare: uscarea cantității mai mici (2kg) trebuie efectuată selectând nivelul de uscare „☁”, cantitatea de lenjerie trebuie să se compună din 2 cearceafuri, 1 fețe de pernă și 2 prosoape; uscarea cantității rămase trebuie să se facă prin selectarea nivelului de uscare „☁”.
	Acest aparat este conform cu următoarele Directive Comunitare: - 2004/108/CE (Compatibilitate Electromagnetică) - 2006/95/CE (Tensiuni Joase) - 2012/19/EU

Întreținere și curățire

RO

Înteruperea alimentării cu apă și curent electric

- Închideți robinetul de apă după fiecare spălare. Se limitează astfel uzura instalației hidraulice a mașinii de spălat și se elimină pericolul scurgerilor.
- Scoateți ștecărul din priza de curent atunci când curățați mașina de spălat și când se efectuează lucrări de întreținere.

Curățarea mașinii de spălat

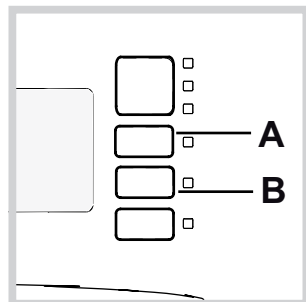
• Partea externă și părțile din cauciuc pot fi curățate cu o lavetă înmuiată în apă caldă și săpun. Nu folosiți solvenți sau substanțe abrazive.

• Mașina de spălat este prevăzută cu un program de „AUTOCURĂȚARE” a pieselor interne care trebuie realizat **fără niciun fel de încărcătură în cuvă**.

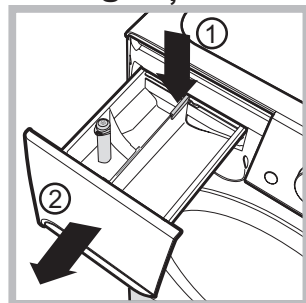
Detergentul (în cantitate de 10% din cea recomandată pentru rufe puțin murdare) sau aditivii specifici pentru curățarea mașinii de spălat pot fi folosite ca mijloace auxiliare în programul de spălare. Se recomandă efectuarea programului de curățare la fiecare 40 de cicluri de spălare.

Pentru a activa programul, apăsați butoanele **A** și **B** în același timp pentru 5 secunde (a se vedea figura).

Programul pornește automat și durează aproximativ 70 de minute. Pentru a termina ciclul, apăsați butonul START/PAUSE.



Curățarea sertarului pentru detergenți



Pentru a scoate sertarul, apăsați pe levierul (1) și trageți-l spre exterior (2) (a se vedea figura).

Spălați-l sub un jet de apă; această operație trebuie efectuată cât mai des posibil.

Îngrijirea ușii și a tamburului

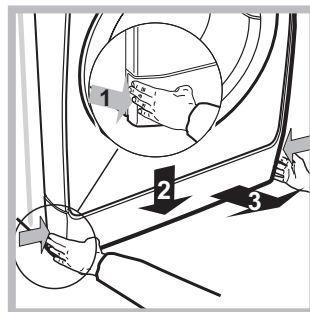
- Lăsați mereu ușa întredeschisă pentru a evita formarea de mirosuri neplăcute.

Curățarea pompei

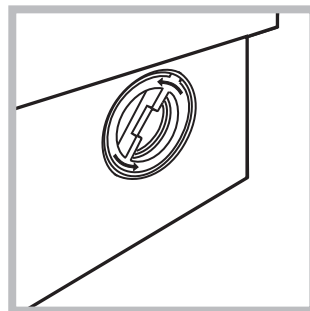
Mașina de spălat este dotată cu o pompă de autocurățare care nu are nevoie de întreținere. Se poate întâmpla însă ca unele obiecte mici (monede, nasturi) să cadă în anticamera care protejează pompa, situată în partea inferioară a acesteia.

! Verificați ca ciclul de spălare să fie încheiat și scoateți ștecărul din priză.

Pentru a avea acces la anticameră:



1. îndepărtați panoul de acoperire de pe latura anterioară a mașinii, apăsând spre centru, apoi împingeți în jos de pe ambele laturi și scoateți-l (a se vedea figurile).



2. deșurubați capacul rotindu-l în sens antiorar (a se vedea figura). este normal să iasă puțină apă;

3. curățați cu grijă interiorul;
4. înșurubați la loc capacul;
5. montați din nou panoul verificând, înainte de a-l împinge spre mașină, de a fi introdus cârligele în orificiile respective.

Controlarea furtunului de alimentare cu apă

Controlați tubul de alimentare cel puțin o dată pe an. Dacă prezintă crăpături sau fisuri trebuie înlocuit: pe parcursul spălărilor, presiunea puternică ar putea provoca crăpături neașteptate.

! Nu folosiți niciodată tuburi folosite deja.

! Mașina de spălat a fost proiectată și construită conform normelor internaționale de protecție. Aceste avertizări sunt furnizate din motive de siguranță și trebuie să fie citite cu atenție.

Siguranța generală

- Acest aparat a fost conceput exclusiv pentru utilizarea în locuințe.
 - Aparatul nu trebuie utilizat de către persoane (inclusiv copii) cu capacități fizice, senzoriale sau mentale reduse și cu experiență sau cunoștințe insuficiente, exceptând cazul în care această utilizare are loc sub supravegherea sau instrucțiunile unei persoane responsabile cu securitatea lor. Copiii trebuie supravegheați pentru a vă asigura că nu se joacă cu aparatul.
 - Nu uscați rufe nespălate.
 - Rufe murdărite cu substanțe precum ulei comestibil, acetonă, alcool, benzină, kerosen, substanțe de scos petele, rășină, ceară și substanțele de îndepărtare a acesteia trebuie spălate în apă caldă cu o cantitate mai mare de detergent înainte de a le usca în mașina de uscat.
 - Obiectele precum cauciuc expandat (spumă de latex), cască de duș, materiale textile impermeabile, articole cu o parte din cauciuc și haine sau perne care au părți din spumă de latex nu trebuie uscate în mașina de uscat.
 - Emolientele sau produsele similare trebuie folosite conform instrucțiunilor producătorului.
 - Partea finală a unui ciclu al mașinii de uscat are loc fără căldură (ciclu de răcire) pentru ca articolele să nu fie deteriorate.
- ATENȚIE:** Nu opriți niciodată mașina înainte de terminarea programului de uscare. În acest caz scoateți repede toate rufe și întindeți-le pentru a le răci rapid.
- Nu atingeți mașina când sunteți desculți sau cu mâinile sau picioarele ude sau umede.
 - Nu scoateți ștecherul din priză trăgând de cablu, ci apucând ștecherul.
 - Nu deschideți sertarul detergentilor în timp ce mașina se află în funcțiune.
 - Nu atingeți apa de evacuare: poate avea o temperatură ridicată.
 - Nu forțați în nici un caz ușa: s-ar putea deteriora mecanismul de siguranță care evită deschiderea accidentală.
 - În caz de defecțiune, nu umblați în niciun caz la mecanismele din interior și nu încercați să o reparați singuri.
 - Controlați mereu ca în apropierea mașinii aflate în funcțiune, să nu se afle copii.
 - Pe durata spălării ușa se poate încălzi.
 - Dacă trebuie să deplasați mașina, cereți ajutor unei alte (sau 2) persoane și fiți foarte atenți. Niciodată nu deplasați mașina singuri deoarece aceasta este foarte grea.

- Înainte de a introduce rufe, controlați ca și cuva să fie goală.
- În timpul uscării, ușa mașinii de spălat se încălzește.
- Nu uscați rufe pe care le-ați spălat cu solvenți inflamabili (de ex. trielină).
- Nu uscați rufe cu aplicații din cauciuc sintetic sau elastomeri asemănători.
- Fiți atenți ca pe durata fazelor de uscare robinetul de apă să fie deschis.

Sistemul de echilibrare a încărcăturii

Pentru a evita trepidațiile excesive, înainte de storcere, cuva mașinii va distribui cantitatea de rufe în mod uniform, centrifuga efectuând câteva rotații la o viteză mai mare decât viteza de spălare. Dacă, după numeroase încercări, mașina nu reușește să echilibreze greutatea, storcerea rufelor se va face la o viteză mai mică decât cea prevăzută în program. Dacă instabilitatea este prea mare, mașina va distribui greutatea în locul centrifugei. Pentru a favoriza o mai bună repartizare a rufelor și echilibrarea corectă a mașinii, se recomandă să introduceți în mașină atât articole mari cât și mici.

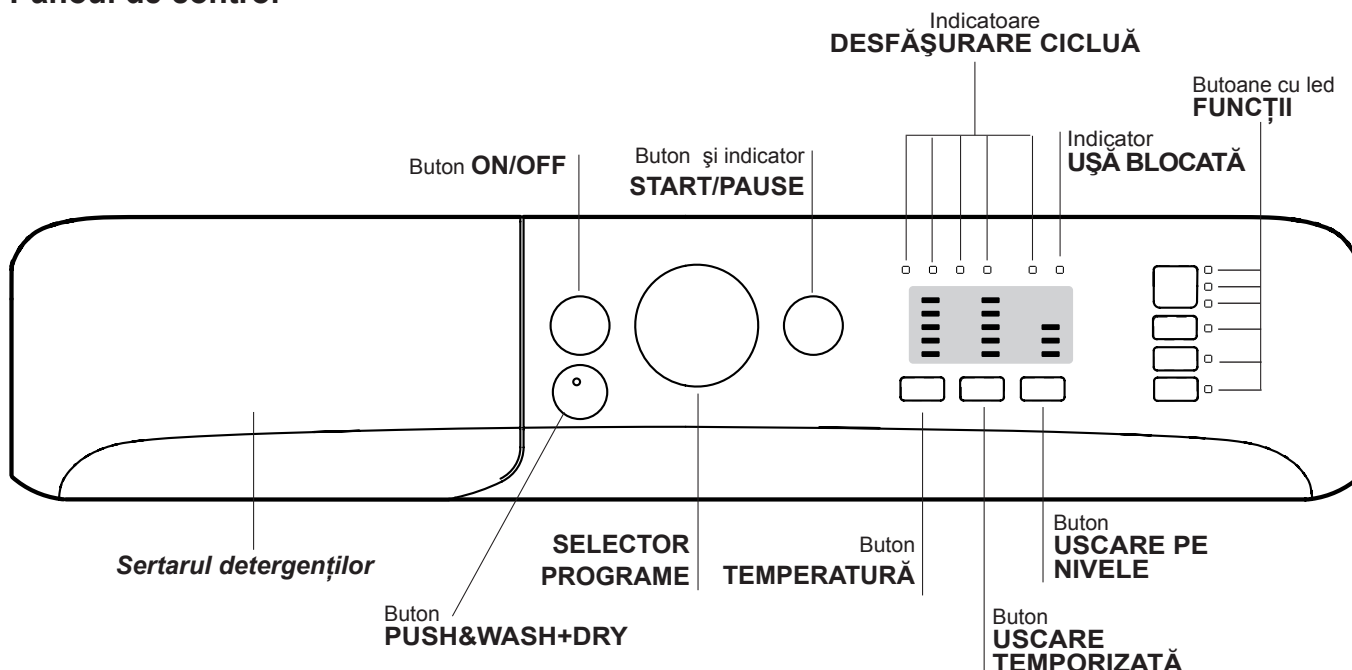
Scoaterea din uz

- Eliminarea ambalajelor: respectați reglementările locale, în acest fel ambalajele vor putea fi refolosite.
- Directiva Europeană 2012/19/EU cu privire la deșeurile care provin de la aparatura electrică sau electronică prevede ca aparatele electrocasnice să nu fie colectate împreună cu deșeurile urbane solide, obișnuite.


Aparatele scoase din uz trebuie să fie colectate separat atât pentru a optimiza rata de recuperare și de reciclare a materialelor componente cât și pentru a evita pericolele care pot afecta sănătatea omului sau polua mediul înconjurător. Simbolul tomberonului tăiat care apare pe toate produsele vă amintește tocmai obligația de a le colecta separat. Pentru informații suplimentare cu privire la scoaterea din uz a electrocasnicelor, deținătorii acestora pot apela la centrele de colectare a deșeurilor sau la vânzătorii de la care au achiziționat produsele respective.

Descrierea mașinii de spălat și activarea unui program

Panoul de control



Sertarul detergenților: pentru a introduce detergenții sau aditivele (a se vedea "Detergenți și rufe").

Buton **ON/OFF** : apăsați scurt butonul pentru a porni sau opri mașina de spălat.

Buton **PUSH&WASH+DRY**: (a se vedea "Programe").

SELECTOR PROGRAME: pentru a alege programul dorit (a se vedea "Tabel programe").

Butoane cu led **FUNCȚII**: pentru a selecta opțiunile disponibile. Indicatorul privind opțiunea selectată va rămâne aprins.

Buton **TEMPERATURA**: pentru a selecta temperatura sau spălarea la rece (a se vedea "Personalizare").


Buton **USCARE TEMPORIZATĂ**: apăsați pentru a selecta timpul de uscare dorit; timpul de uscare selectat este arătat de indicatoarele alăturate.

Buton **USCARE PE NIVELE**: apăsați pentru a selecta nivelul de uscare dorit; nivelul de uscare selectat este arătat de indicatoarele alăturate.

Indicatoare **DESFĂȘURARE CICLU**: pentru a putea urmări avansarea programului de spălare.

Indicator **UȘĂ BLOCATĂ**: pentru a înțelege dacă ușa se poate deschide sau nu (a se vedea pag. alăturată).

Buton cu indicator **START/PAUSE**: pentru a activa / opri momentan programele.

N.B.: pentru a întrerupe momentan un ciclu apăsați această tastă; ledul se va aprinde intermitent (culoare portocalie) în timp ce ledul corespunzător fazei în curs de desfășurare va rămâne aprins. Dacă indicatorul **UȘĂ BLOCATĂ**  este stins, atunci ușa se poate deschide (așteptați aproximativ 3 minute).

Pentru a continua spălarea, de unde a fost întreruptă, apăsați din nou tasta.

Modalitatea de stand by

Această mașină de spălat rufe, conform noilor norme legate de economia de curent electric, este dotată cu un sistem de oprire automat (stand-by) care intră în funcțiune după 30 minute de neutilizare. Apăsați scurt tasta ON/OFF și așteptați repunerea în funcțiune a mașinii.

Consum în off-mode: 0,5 W

Consum în Left-on: 8 W

Indicatoare luminoase

Ledurile furnizează informații importante. Iată ce indică:

Indicatoare de fază

După alegerea și activarea ciclului dorit, indicatoarele luminoase se vor aprinde unul după altul, ceea ce vă indică starea de avansare a programului:

Spălare	
Clătire	
Centrifugă/Golire	
Uscare	
Sfârșit Spălare	END

Tastele de funcții și ledurile corespunzătoare

Alegerea unei funcții implică aprinderea ledului corespunzător.

Dacă funcția selectată nu este compatibilă cu programul ales, ledul corespunzător se va aprinde intermitent iar funcția nu se va activa.

Dacă opțiunea selectată nu este compatibilă cu alta setată anterior, incompatibilitatea va fi semnalată prin aprinderea intermitentă a ledului și printr-un semnal acustic (3 bip) și va fi activată numai a doua, indicatorul opțiunii activate se va aprinde

Indicator ușă blocată:

Aprinderea ledului indică faptul că hubloul s-a blocat, pentru a împiedica deschiderea sa; pentru a putea deschide hubloul, așteptați aproximativ 3 minute, până la stingerea ledului. Pentru a deschide hubloul în timpul executării unui ciclu, apăsați tasta START/PAUSE; dacă ledul UȘĂ BLOCATĂ este stins, atunci puteți deschide hubloul.


Activarea unui program

Programarea rapidă

- 1. INTRODUCEREA RUFELOR** Deschideți ușa. Introduceți rufele în mașină, fiind atenți să nu depășiți cantitatea indicată în tabelul de programe - a se vedea pagina următoare.
- 2. DOZAREA DETERGENTULUI** Extrageți sertarul și turnați detergent în compartimentele respective, după indicațiile din capitolul "Detergenți și rufe".
- 3. ÎNCHIDEȚI UȘA.**
- Apăsați tasta "Push&Wash+Dry" pentru a activa programul ales.

Programarea tradițională

- Porniți mașina de spălat apăsând pe tasta ON/OFF. Toate indicatoarele se aprind câteva secunde, apoi se sting; indicatorul START/PAUSE se va aprinde intermitent.
- Introduceți rufele și închideți ușa.
- Selectați programul dorit cu ajutorul selectorului de PROGRAME.

- Reglați temperatura de spălare (a se vedea "Personalizare").
- Selectați uscarea dacă este necesar (a se vedea "Personalizare").
- Adăugați detergentul și aditivii (a se vedea "Detergenți și rufe").
- Alegeți funcțiile dorite.
- Activați programul apăsând tasta START/PAUSE; indicatorul luminos se va aprinde (culoare verde). Pentru a anula un ciclu selectat, apăsați tasta START/PAUSE pentru a întrerupe momentan ciclul și alegeți un nou program.
- La încheierea programului, indicatorul luminos END se va aprinde. După stingerea ledului corespunzător avertizării de UȘĂ BLOCATĂ , este posibilă deschiderea hubloului (așteptați aproximativ 3 minute). Scoateți rufele și lăsați ușa întredeschisă pentru a se putea usca cuva și tamburul. Opriti mașina de spălat apăsând pe tasta ON/OFF.

Programe

RO

Push & Wash + Dry

Această funcție permite pornirea unui ciclu automat de spălare și uscare și cu mașina oprită fără a trebui să apăsați în prealabil tasta ON/OFF sau, după pornirea mașinii, fără să fi acționat nicio altă tastă și/sau buton (în caz contrar, programul Push&Wash+Dry va fi dezactivat). Pentru a porni ciclul Push&Wash+Dry țineți apăsat butonul pentru 2 secunde. Indicatorul aprins arată că ciclul este pornit. Ciclul de spălare și uscare este ideal pentru articolele de bumbac și sintetice, funcționând la o temperatură de spălare de 30° și o viteză maximă de centrifugare de 1000 rotații pe minut. În timpul uscării, temperatura maximă atinsă este de aprox. 60°C. La terminarea programului, umiditatea reziduală este egală cu nivelul "☁". Cantitate max. recomandată 2,5 kg. (Durata ciclului 210').

Cum funcționează?

1. Introduceți rufe (articole de bumbac și/sau sintetice) și închideți ușa.
 2. Turnați detergentul și/sau aditivii.
 3. Porniți programul ținând apăsată pentru 2 secunde tasta Push&Wash+Dry. Indicatorul se va aprinde de culoare verde și ușa se va bloca (simbolul ușă blocată aprins).
- N.B.: Pornirea spălării de la tasta Push&Wash+Dry activează un ciclu automat de spălare și uscare recomandat pentru bumbac și sintetice nepersonalizabil.
4. Se poate utiliza programul automat doar pentru spălare, excluzând uscarea. Apăsați, după apăsarea tastei Push&Wash+Dry, tasta uscare ☀, pictograma de uscare a nivelului "☁" se stinge. Cantitatea max doar pentru spălare este 3,5 kg (Durata ciclului 50'). Nu se poate personaliza ulterior programul.
- Pentru a deschide ușa în timpul executării unui ciclu automat, apăsați tasta START/PAUSE; când simbolul ușă blocată se stinge, puteți deschide ușa doar în timpul fazei de spălare. Apăsați din nou tasta START/PAUSE pentru a relua programul de unde era oprit.
5. La încheierea programului, indicatorul luminos END se va aprinde.

Tabel de programe

Programe	Descrierea Programului	Temp. max. (°C)	Viteza max. (rotații pe minut)	Uscare	Cantitatea maximă pentru uscare (Kg)	Detergenți și aditivi				Cantitatea maximă pentru spălare (Kg)	Durata ciclului de spălare
						Prespălare	Spălare	Balsam rufe	Decolorant		
Programe Speciale											
1	Sport	30°	600	●	3	-	●	●	-	3,5	55'
2	Rufe Negre	30°	800	●	2,5	-	●	●	-	4	70'
3	Antimiros (Bumbac)	60°	1000	●	3,5	-	●	●	-	3,5	110'
3	Antimiros (Sintetice)	40°	1000	●	3	-	●	●	-	3,5	100'
4	Delicate	30°	0	●	1	-	●	●	-	1	80'
5	Lână: pentru lână, cașmir, etc.	40°	800	●	1,5	-	●	●	-	1,5	70'
6	Rapide 30'	30°	800	●	3	-	●	●	-	3	30'
Standard											
7	Bumbac cu prespălare: rufe albe foarte murdare.	90°	1400	●	5	●	●	●	-	7	170'
8	Program standard la 60°C pentru rufe din bumbac (1): albe și colorate rezistente foarte murdare.	60° (Max. 90°)	1400	●	5	-	●	●	-	7	170'
9	Sintetice: colorate rezistente foarte murdare.	60°	800	●	3	-	●	●	-	3,5	110'
10	Rufe colorate (2)	40°	1400	●	5	-	●	●	-	7	100'
11	Eco Bumbac 20°: albe puțin murdare și colorate delicate.	20°	1400	●	5	-	●	●	-	7	170'
12	Eco Sintetice	20°	800	●	5	-	●	●	-	7	120'
Automat											
13	Spală&Uscă 45'	30°	1400	●	1	-	●	●	-	1	45'
14	AirFresh	-	-	●	1,5	-	-	-	-	-	30'
Parțiale											
	Clătire/Decolorant	-	1400	●	5	-	-	●	●	7	50'
	Centrifugă + Golire	-	1400	●	5	-	-	-	-	7	10'

Durata ciclului indicată pe display sau în carte este calculată în baza unor condiții standard. Timpul efectiv poate varia în baza a numeroși factori, precum temperatura și presiunea apei la intrare, temperatura mediului, cantitatea de detergent, cantitatea și tipul încărcăturii, echilibrarea încărcăturii, opțiunile suplimentare selectate.

Pentru toate Instituțiile de Testare:

- 1) Programul de control conform normei 50229: selectați programul 8 și temperatura de 60°C.
- 2) Program pentru bumbac, prelungit: selectați programul 10 și temperatura de 40°C.

Reglarea temperaturii

Rotind selectorul de TEMPERATURĂ se fixează temperatura de spălare (a se vedea Tabelul programelor). Temperatura poate fi redusă până la spălarea la rece (❄️). Mașina va împiedica în mod automat de a alege o temperatură mai mare decât maxima admisă pentru fiecare program.

! Excepție: dacă selectați programul 8 temperatura poate fi crescută până la 90°.

Alegerea programului de uscare

Sunt prevăzute două tipuri de uscare, **temporizată** și pe **nivele**.

Apăsând tasta USCARE TEMPORIZATĂ ⏸️ se setează durata de uscare dorită: **40' - 90' - 120' - 150' - 180'**.

La prima apăsare a tastei, timpul selectat va fi cel minim admis pentru programul setat.

Când mașina a început faza de uscare, în urma unei apăsări ulterioare a tastei USCARE TEMPORIZATĂ, se va putea reduce durata uscării setată anterior. Indicatoare luminoase vor arăta noua durată de uscare selectată, iar timpul rămas de uscare va ține cont de timpul care a trecut deja.

Apăsând tasta USCARE PE NIVELE 📊 se setează durata de uscare dorită:

Uscat 📊: Ideal ptr hainele de pus în dulap, fără călcare.

Mediu 📊: Indicată ptr rufele care nu au nevoie de o uscare completă.

Călcare 📊: Indicată ptr rufele ce necesită călcare

Nivelul de umiditate reziduală înmoaie pliurile și deci facilitează întinderea lor, prin călcare.

La încheierea procesului de uscare se activează o fază de răcire. Dacă în mod excepțional cantitatea de rufe de spălat și uscat este superioară maximumului prevăzut, efectuați spălarea, iar la încheierea programului, subțivați cantitatea și repuneți o parte în mașină. După care urmați instrucțiunile prevăzute pentru efectuarea **doar a uscării**. Repetați aceeași procedură pentru rufele rămase. La sfârșitul uscării are loc întotdeauna o perioadă de răcire.

Notă: dacă toate indicatoarele referitoare la uscare sunt stinse, mașina **nu** va efectua uscarea.

Doar uscare

Apăsați tasta 📊 pentru a efectua doar uscarea. După ce ați selectat programul dorit compatibil cu tipul de rufe de tratat, la apăsarea tastei 📊 se exclude faza de spălare și va fi activată uscarea cu nivelul maxim prevăzut pentru programul selectat. Se poate modifica și seta nivelul sau durata uscării apăsând tastele uscare 📊, 📊. (Nu este compatibil cu programele 13 și 14).

Spală opțiuni

Diferitele funcții de spălare prevăzute pentru mașina de spălat, permit obținerea unor rufe curate și albe, după dorință.

Pentru a activa funcțiile:

1. apăsați tasta corespunzătoare funcției dorite;
2. aprinderea ledului respectiv indică activarea funcției.

Notă: Semnalul luminos intermitent, rapid, indică faptul că funcția respectivă nu este compatibilă cu programul ales.

Antipată

Această opțiune permite selectarea tipului de murdărie astfel încât să se adapteze ciclul în mod optim pentru îndepărtarea petelor. Tipurile de murdărie sunt:

- 🍷 **Mâncare**, de exemplu, pentru petele de alimente și băuturi.
- 🧼 **Muncă**, de exemplu, pentru petele de unsoare și cerneală.
- 🌿 **Outdoor**, de exemplu, pentru petele de noroi și iarbă.

! Durata ciclului de spălare variază în funcție de tipul murdăriei selectate. nțele de spălare, menținând intacte mult timp proprietățile tehnice. Pentru articolele cu fibre tehnice, nu folosiți balsam.

! Nu poate fi activată cu programele 1-2-3-4-5-6-7-10-11-12-13-14-📊-📊.

½📊

Apăsând această tastă se reduce viteza de stoarcere.

! Nu poate fi activată pe programele 4-13-14.

Extra Clătire

Selectând această opțiune, clătirea va fi mai eficientă, ceea ce asigură eliminarea totală a detergentului din rufe. Este recomandată cu precădere persoanelor cu pielea sensibilă.

! Nu poate fi activată pe programele 2-4-6-13-14-📊.

Tabel Durată Uscare (valori indicative)

Tipul țesăturii	Tipul sarcinii	Sarcină max (kg)	Uscat 📊	Mediu 📊	Călcare 📊
Bumbac	Rufe de diverse dimensiuni, Prosoape din bumbac eponjat	5	250	210	190
Sintetice	Cearșaf, Cămăși, Pijamale, Țoșete, ecc.	3	180	130	115
Lână	Jerseuri, pulovere, etc	1,5	155	135	115

Detergenți și rufe

RO

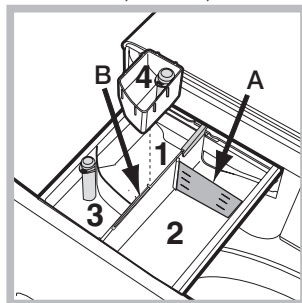
Sertarul detergenților

Un rezultat bun la spălare depinde și de dozarea corectă a detergentului: excesul de detergent nu garantează o spălare mai eficientă, ci contribuie la încrustarea părților interne ale mașinii de spălat și la poluarea mediului înconjurător.

! Nu introduceți în mașină detergenții pentru spălarea manuală deoarece formează prea multă spumă.

! Utilizați detergenți praf pentru rufe albe de bumbac, pentru prespălare și pentru spălarea la temperaturi mai mari de 60°C.

! Respectați indicațiile de pe ambalajul detergentului.



Extrageți sertarul pentru detergenți și introduceți detergentul sau aditivul după cum urmează:

Compartimentul 1: Detergent pentru prespălare (sub formă de praf)

Înainte de a adăuga detergentul verificați ca sertarul adițional 4 să nu fie introdus.

Compartimentul 2: Detergent pentru spălare (sub formă de praf sau lichid)


Când utilizați detergent lichid este recomandat să folosiți peretele despărțitor A prevăzut pentru dozarea corectă. Pentru utilizarea de detergent praf puneți peretele despărțitor în cavitatea B.

Compartimentul 3: Aditivi (soluție de înmuiat, etc.)

Balsamul nu trebuie să depășească nivelul „max” indicat pe pivotul central.

Sertar adițional 4: Decolorant

Ciclul de albire

Introduceți sertarul adițional 4 din dotare, în sertarul 1. Când dozați decolorantul nu depășiți nivelul „max” indicat pe pivotul central. Pentru a efectua doar albirea vărsați decolorantul în sertarul adițional 4 și selectați programul .

! Decolorantul tradițional se folosește pentru țesături rezistente albe, cel delicat pentru țesături colorate, sintetice și pentru lână.

Pregătirea rufelor

- Subdivizați rufe în funcție de:
 - tipul de țesătură / simbolul de pe etichetă.
 - culori: separați rufe colorate de cele albe.
- Goliți buzunarele și controlați nasturii.
- Nu depășiți valorile indicate, referite la greutatea rufelor uscate: a se vedea „Tabel de program”.

Cât cântăresc rufele?


- 1 cearceaf 400-500 g.
- 1 față de pernă 150-200 g.
- 1 față de masă 400-500 g.
- 1 halat de baie 900-1.200 g.
- 1 prosop 150-250 g.

Programe particulare

Sport (programul 1) a fost studiat pentru spălarea țesăturilor utilizate la confecționarea hainelor sportive (echipamente, pantaloni scurți etc.) puțin murdare; pentru cele mai bune rezultate, se recomandă să nu depășiți cantitatea maximă admisă indicată în „Tabel de program”. Se recomandă utilizarea detergentului lichid într-o cantitate adecvată unei încărcări pe jumătate a mașinii.

Rufe Negre: folosiți programul 2 pentru spălarea rufelor de culoare închisă. Programul este conceput pentru

întreținerea culorilor închise în decursul timpului. Pentru cele mai bune rezultate, vă recomandăm utilizarea unui detergent lichid pentru rufe de culori închise.

Dacă selectați funcția de uscare, la terminarea spălării se efectuează automat o uscare delicată care protejează culorile rufelor. Pe display se va afișa nivelul „”. Sarcina Max.: 2,5 kg.

Antimiro: folosiți programul 3 pentru spălarea rufelor pentru a elimina mirosurile neplăcute (de ex. fum, transpirație, prăjeală). Programul este conceput pentru a elimina mirosurile neplăcute, protejând fibrele țesăturilor. Se recomandă spălarea la 40° a articolelor sintetice sau a încărcăturilor mixte și la 60° a țesăturilor din bumbac rezistent.

Delicate: folosiți programul 4 pentru spălarea rufelor foarte delicate. Se recomandă să întoarceți pe dos rufe înainte de spălare. Pentru cele mai bune rezultate, vă recomandăm utilizarea unui detergent lichid pentru rufe delicate.

Seleționând funcția de uscare bazată doar pe timp, la sfârșitul spălării va fi efectuată o uscare deosebit de delicată datorită unei mișcări ușoare și unui jet de aer la o temperatură controlată corespunzător.

Duratele recomandate sunt următoarele:

1 kg de material sintetic --> 150 min.

1 kg de material sintetic și bumbac --> 180 min.

1 kg de bumbac --> 180 min.

Gradul de uscare va depinde de încărcarea mașinii și de compoziția țesăturii.

Lână: ciclul de spălare „Lână” al acestei mașini de spălat a fost testat și aprobat de Woolmark Company pentru spălarea articolelor de lână clasificate ca fiind lavabile de mână, cu condiția ca spălarea să se efectueze în conformitate cu instrucțiunile specificate pe eticheta articolului și cu indicațiile furnizate de producătorul acestei mașini de spălat. (M1126)



Rapide 30' (programul 6) acest ciclul este conceput pentru a spăla rufe ușor murdare la 30° (în afară de lână și mătase) cu o încărcătură maximă de 3 kg în scurt timp: durează doar 30 de minute și economisește energie și timp.

Rufe Colorate: folosiți programul 10 pentru spălarea rufelor de culori deschise. Programul este conceput pentru a păstra strălucirea vie a culorilor în timp.

Eco Bumbac 20° (programul 11) ideal pentru rufe de bumbac murdare. Performanțele bune și la rece, comparabile cu o spălare la 40°, sunt garantate de o acțiune mecanică care lucrează.

Eco Sintetice (programul 12) ideal pentru rufe mixte (bumbac și sintetice) cu grad normal de murdărie. Performanțele bune de spălare și la rece sunt garantate de o acțiune mecanică care lucrează prin varierea vitezei la intervale medii și determinate.

Spală&Usucă 45' (programul 13): este creat pentru a spăla și usca hainele puțin murdare în timp scurt.

Alegând acest ciclu se pot spăla și usca max 1 kg de rufe în numai 45 de minute. Pentru a obține rezultate mai bune, folosiți un detergent lichid și, înainte a introduce rufe în mașină, puneți produsele de scos pete sau de albit pe gulere, manșete sau pete în general.

AirFresh (programul 14) ciclul ideal pentru a reîmprospăta și elimina în 30' mirosurile neplăcute din articolele din bumbac și sintetice (max 1,5kg), în special de fum, fără faza de spălat.

Se poate întâmpla ca mașina de spălat să nu funcționeze. Înainte de a apela serviciul de Asistență (*a se vedea Asistența*), verificați dacă nu este vorba de o problemă ușor de rezolvat:

Anomalii:

Mașina de spălat nu pornește.

Ciclul de spălare nu pornește.

Mașina de spălat nu se alimentează cu apă (ledul primei faze de spălare se aprinde intermitent și rapid).

Mașina de spălat încarcă și descarcă apă continuu.

Mașina de spălat nu se golește sau nu stoarce.

Mașina de spălat vibrează foarte mult în timpul stocării.

Mașina de spălat pierde apă.

Indicatoarele de "Funcție" și "start/pause" sunt intermitente; unul din indicatoarele ptr. "faza în curs" și "usa blocata" sunt aprinse.

Se formează prea multă spumă.

Nu se activează Push&Wash+Dry.

Mașina de spălat nu usucă.

Cauze posibile / Rezolvare:

- Stecherul nu este introdus în priză de curent, sau nu face contact.
- Aveți o pană de curent la domiciliu.

- Ușa nu este bine închisă.
- Tasta ON/OFF nu a fost apăsată.
- Tasta START/PAUSE nu a fost apăsată.
- Robinetul de apă nu este deschis.

- Furtunul de alimentare cu apă nu este racordat la robinet.
- Furtunul este îndoit.
- Robinetul de apă nu este deschis
- Apa la domiciliul dumneavoastră.
- Apa nu are presiune suficientă.
- Tasta START/PAUSE nu a fost apăsată.

- Furtunul de golire nu a fost instalat la o înălțime cuprinsă între 65 și 100 cm de pământ (*a se vedea "Instalare"*).
- Capătul furtunului de evacuare este cufundat în apă (*a se vedea "Instalare"*).
- Evacuarea din perete nu are răsuflare pentru aer.

Dacă după aceste verificări problema nu se rezolvă, închideți robinetul de apă, opriți mașina de spălat și chemați Service-ul. Dacă locuința se află la ultimele etaje ale unui edificiu, este posibil să aibă loc fenomene de sifonare, motiv pentru care mașina de spălat încarcă și descarcă apă încontinuu. Pentru a elimina acest inconvenient, se găsesc în comerț supape anti-sifonare.

- Programul nu prevede golirea apei: în cazul anumitor programe, este necesară activarea manuală.
- Furtunul de golire este îndoit (*a se vedea "Instalare"*).
- Conducta de descărcare este înfundată.

- Cuva, în momentul instalării, nu a fost deblocată în mod corespunzător (*a se vedea "Instalare"*).
- Mașina de spălat este în pantă (*a se vedea "Instalare"*).
- Mașina de spălat este prea aproape de pereți și mobilier (*a se vedea "Instalare"*).

- Furtunul de alimentare cu apă nu este bine înșurubat (*a se vedea "Instalare"*).
- Compartimentul de detergenți este înfundat (*pentru a-l curăța a se vedea "Întreținere și curățare"*).
- Furtunul de golire nu este bine fixat (*a se vedea "Instalare"*).

- Opriți mașina și scoateți stecherul din priză; așteptați aproximativ 1 minut înainte de a o reaprinde.
Dacă nu obțineți nici un rezultat, apelați Centrul de service pentru asistență.

- Detergentul nu este compatibil cu mașina de spălat (trebuie să fie scris „pentru mașina de spălat”, „de mână sau în mașina de spălat”, sau ceva asemănător).
- Dozajul a fost excesiv.

- După pornirea mașinii s-a acționat altă comandă decât Push&Wash+Dry. Stingeți mașina și apăsați butonul Push&Wash+Dry.

- Ștecherul nu este introdus sau nu a fost suficient introdus în priză de curent astfel încât să existe conexiune electrică.
- În casă nu este curent electric.
- Hubloul nu este bine închis.
- Toate indicatoarele uscătorului sunt stinse.

Înainte de a lua legătura cu Asistența:

- Verificați dacă puteți rezolva singuri problema (*a se vedea "Anomalii și remedii"*);
- Porniți din nou programul pentru a controla dacă inconvenientul a fost eliminat;
- În caz negativ, contactați un Centru de Asistență Tehnică.

! Nu apelați niciodată la persoane neautorizate.

Comunicați:

- tipul de anomalie;
- modelul mașinii (Mod.);
- numărul de serie (S/N).

Aceste informații sunt specificate pe plăcuța cu date tehnice, lipită în partea din spate a mașinii de spălat precum și în partea anterioară, după ce deschideți ușa.

Atenționări în conformitate cu legislația în vigoare

- Conform prevederilor legislației privind gestionarea deșeurilor, este interzisă eliminarea deșeurilor de echipamente electrice și electronice (DEEE) alături de deșeurile municipale nesortate. Ele trebuie predate la punctele municipale de colectare, societățile autorizate de colectare/reciclare sau distribuitori (în cazul în care se achiziționează echipamente noi de același tip).
- Autoritățile locale trebuie să asigure spațiile necesare pentru colectarea selectivă a deșeurilor precum și funcționalitatea acestora. Contactați societatea de salubritate sau compartimentul specializat din cadrul primăriei pentru informații detaliate.
- Deșeurile de echipamente electrice și electronice pot fi predate și distribuitorilor, la achiziționarea de echipamente noi de același tip (schimb 1 la 1).
- Predarea, de către utilizatori, a deșeurilor de echipamente electrice și electronice, la punctele de colectare municipale, societățile autorizate de colectare/reciclare sau distribuitori (în cazul în care se achiziționează echipamente noi de același tip) facilitează re folosirea, reciclarea sau alte forme de valorificare a acestora.
- Deșeurile de echipamente electrice și electronice pot conține substanțe periculoase care pot avea un impact negativ asupra mediului și sănătății umane în cazul în care DEEE nu sunt colectate selectiv și gestionate conform prevederilor legale.
- Simbolul alăturat (o pubela cu roți, barata cu două linii în forma de X), aplicat pe un echipament electric sau electronic, semnifică faptul că acesta face obiectul unei colectări separate și nu poate fi eliminat împreună cu deșeurile municipale nesortate.

