



Refrigerator - Freezer

Chłodziarko - Zamrażarki

Chladnička - Mraznička

Chladnička - Mraznička

Ψυγείο - Κατάψυξης

Хладилник - Фризер

RCSA400K20W

Please read this user manual first!

Dear Customer,

We hope that your product, which has been produced in modern plants and checked under the most meticulous quality control procedures, will provide you an effective service.

Therefore, read this entire user manual carefully before using the product and keep it as a reference. If you handover the product to someone else, give the user manual as well.

The user manual will help you use the product in a fast and safe way.


- Read the manual before installing and operating the product.
- Make sure you read the safety instructions.
- Keep the manual in an easily accessible place as you may need it later.
- Read the other documents given with the product.


Remember that this user manual is also applicable for several other models. Differences between models will be identified in the manual.

Explanation of symbols

Throughout this user manual the following symbols are used:

 Important information or useful tips.

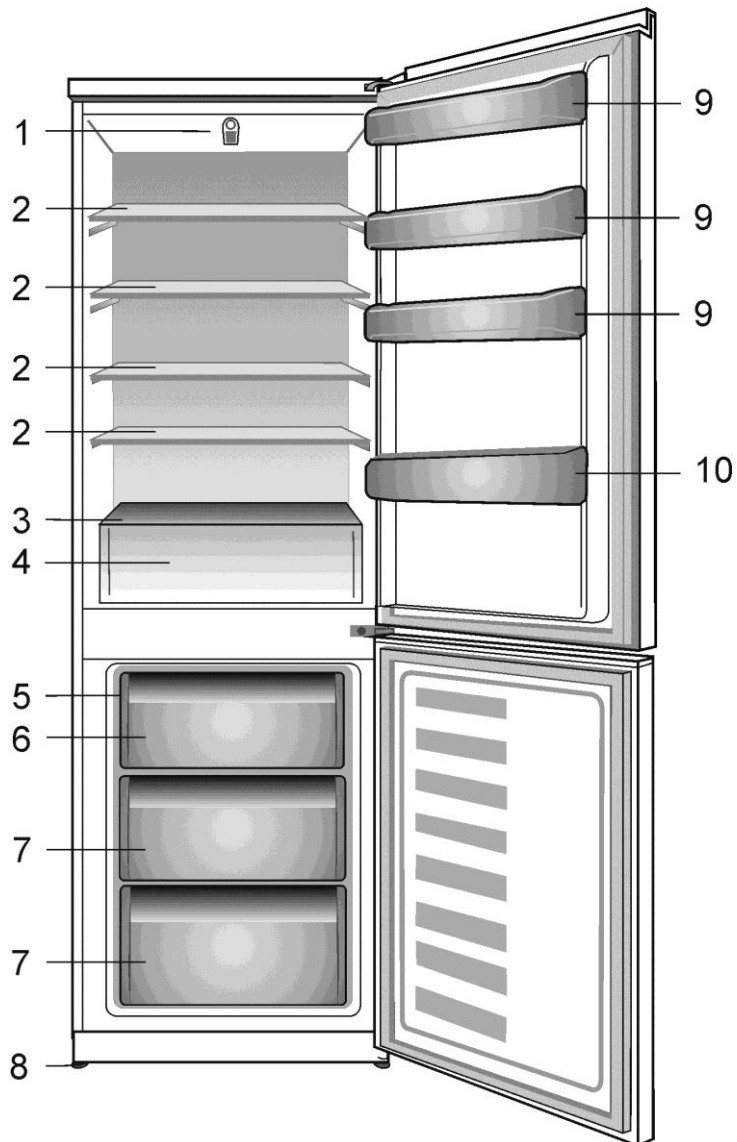
 Warning against dangerous conditions for life and property.

 Warning against electric voltage.

CONTENTS

<u>1 Your refrigerator</u>	<u>3</u>	<u>4 Preparation</u>	<u>11</u>
<u>2 Important Safety Warnings</u>	<u>4</u>	<u>5 Using your refrigerator</u>	<u>12</u>
Intended use.....	4	Thermostat setting button.....	12
General safety.....	4	Defrost.....	13
For products with a water dispenser.....	6	Freezing fresh food.....	14
Child safety.....	6	Recommendations for preservation of frozen food.....	15
Compliance with the AEEE Regulation and Disposing of the Waste Product.....	6	Recommendations for the fresh food compartment.....	15
Package information.....	7	Reversing the doors.....	16
HCA warning.....	7	<u>6 Maintenance and cleaning</u>	<u>17</u>
Things to be done for energy saving.....	7	Avoiding bad odours.....	17
<u>3 Installation</u>	<u>8</u>	Protection of plastic surfaces	17
Points to be paid attention to when the relocation of the refrigerator.....	8	<u>7 Troubleshooting</u>	<u>18</u>
Before you start the refrigerator,.....	8		
Electrical connection.....	9		
Disposing of the packaging.....	9		
Disposing of your old refrigerator.....	9		
Placing and Installation.....	9		
Changing the illumination lamp	9		
Adjusting the legs.....	9		

1 Your refrigerator



- | | |
|-------------------------------------|--|
| 1. Setting knob and interior light | 7. Compartments for frozen foods keeping |
| 2. Adjustable Cabinet shelves | 8. Adjustable front feet |
| 3. Cover glass | 9. Shelves for jars |
| 4. Salad crisper | 10. Shelf for bottles |
| 5. Ice tray support & ice tray | |
| 6. Compartment for quickly freezing | |

*** Optional**

i Figures that take place in this instruction manual are schematic and may not correspond exactly with your product. If the subject parts are not included in the product you have purchased, then it is valid for other models.

2 Important Safety Warnings

Please review the following information. Failure to observe this information may cause injuries or material damage. Otherwise, all warranty and reliability commitments will become invalid.

The service life of your product is 10 years. During this period, original spare parts will be available to operate the product properly.

Intended use

This product is intended to be used

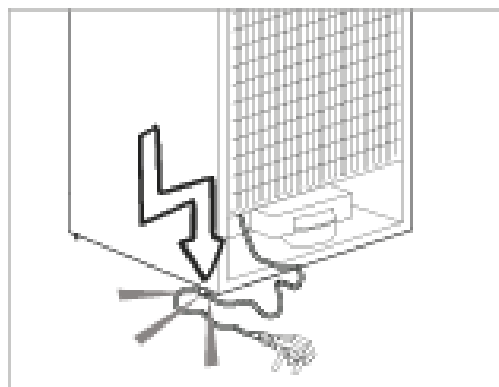
- indoors and in closed areas such as homes;
- in closed working environments such as stores and offices;
- in closed accommodation areas such as farm houses, hotels, pensions.
- It should not be used outdoors.

General safety

- When you want to dispose/scrap the product, we recommend you to consult the authorized service in order to learn the required information and authorized bodies.
- Consult your authorized service for all your questions and problems related to the refrigerator. Do not intervene or let someone intervene to the refrigerator without notifying the authorised services.
- For products with a freezer compartment; Do not eat cone ice cream and ice cubes immediately after you take them out of the freezer compartment! (This may cause frostbite in your mouth.)

- For products with a freezer compartment; Do not put bottled and canned liquid beverages in the freezer compartment. Otherwise, these may burst.
- Do not touch frozen food by hand; they may stick to your hand.
- Unplug your refrigerator before cleaning or defrosting.
- Vapor and vaporized cleaning materials should never be used in cleaning and defrosting processes of your refrigerator. In such cases, the vapor may get in contact with the electrical parts and cause short circuit or electric shock.
- Never use the parts on your refrigerator such as the door as a means of support or step.
- Do not use electrical devices inside the refrigerator.
- Do not damage the parts, where the refrigerant is circulating, with drilling or cutting tools. The refrigerant that might blow out when the gas channels of the evaporator, pipe extensions or surface coatings are punctured causes skin irritations and eye injuries.
- Do not cover or block the ventilation holes on your refrigerator with any material.
- Electrical devices must be repaired by only authorised persons. Repairs performed by incompetent persons create a risk for the user.

- In case of any failure or during a maintenance or repair work, disconnect your refrigerator's mains supply by either turning off the relevant fuse or unplugging your appliance.
- Do not pull by the cable when pulling off the plug.
- Place the beverage with higher proofs tightly closed and vertically.
- Never store spray cans containing flammable and explosive substances in the refrigerator.
- Do not use mechanical devices or other means to accelerate the defrosting process, other than those recommended by the manufacturer.
- This product is not intended to be used by persons with physical, sensory or mental disorders or unlearned or inexperienced people (including children) unless they are attended by a person who will be responsible for their safety or who will instruct them accordingly for use of the product.
- Do not operate a damaged refrigerator. Consult with the service agent if you have any concerns.
- Electrical safety of your refrigerator shall be guaranteed only if the earth system in your house complies with standards.
- Exposing the product to rain, snow, sun and wind is dangerous with respect to electrical safety.
- Contact authorized service when there is a power cable damage to avoid danger.
- Never plug the refrigerator into the wall outlet during installation. Otherwise, risk of death or serious injury may arise.
- This refrigerator is intended for only storing food items. It must not be used for any other purpose.
- Label of technical specifications is located on the left wall inside the refrigerator.
- Never connect your refrigerator to electricity-saving systems; they may damage the refrigerator.
- If there is a blue light on the refrigerator, do not look at the blue light with optical tools.
- For manually controlled refrigerators, wait for at least 5 minutes to start the refrigerator after power failure.
- This operation manual should be handed in to the new owner of the product when it is given to others.
- Avoid causing damage on power cable when transporting the refrigerator. Bending cable may cause fire. Never place heavy objects on power cable.
- Do not touch the plug with wet hands when plugging the product.



- Do not plug the refrigerator if the wall outlet is loose.
- Water should not be sprayed on inner or outer parts of the product for safety purposes.

- Do not spray substances containing inflammable gases such as propane gas near the refrigerator to avoid fire and explosion risk.
- Never place containers filled with water on top of the refrigerator; in the event of spillages, this may cause electric shock or fire.
- Do not overload the refrigerator with food. If overloaded, the food items may fall down and hurt you and damage refrigerator when you open the door.
- Never place objects on top of the refrigerator; otherwise, these objects may fall down when you open or close the refrigerator's door.
- As they require a precise temperature, vaccines, heat-sensitive medicine and scientific materials and etc. should not be kept in the refrigerator.
- If not to be used for a long time, refrigerator should be unplugged. A possible problem in power cable may cause fire.
- The plug's tip should be cleaned regularly with a dry cloth; otherwise, it may cause fire.
- Refrigerator may move if adjustable legs are not properly secured on the floor. Properly securing adjustable legs on the floor can prevent the refrigerator to move.
- When carrying the refrigerator, do not hold it from door handle. Otherwise, it may be snapped.
- When you have to place your product next to another refrigerator or freezer, the distance between devices should be at least 8cm. Otherwise, adjacent side walls may be humidified.

For products with a water dispenser;

Pressure of water mains should be minimum 1 bar. Pressure of water mains should be maximum 8 bars.


- Use only potable water.

Child safety

- If the door has a lock, the key should be kept away from reach of children.
- Children must be supervised to prevent them from tampering with the product.

Compliance with the AEEE Regulation and Disposing of the Waste Product



The symbol  on the product or on packaging indicates that this product may not be treated as household waste. Instead it shall be handed over to the applicable collection point for the recycling of electrical and electronic equipment. By ensuring this product is disposed of correctly, you will help prevent potential negative consequences for the environment and human health, which could otherwise be caused by inappropriate waste handling of this product. For more detailed information about recycling of this product, please contact your local city office, your household waste disposal service or the shop where you purchased the product.

Package information

Packaging materials of the product are manufactured from recyclable materials in accordance with our National Environment Regulations. Do not dispose of the packaging materials together with the domestic or other wastes. Take them to the packaging material collection points designated by the local authorities.

Do not forget...

Any recycled substance is an indispensable matter for nature and our national asset wealth.

If you want to contribute to the reevaluation of the packaging materials, you can consult to your environmentalist organizations or the municipalities where you are located.

HCA warning

If your product's cooling system contains R600a:

This gas is flammable. Therefore, pay attention to not damaging the cooling system and piping during usage and transportation. In the event of damage, keep your product away from potential fire sources that can cause the product catch a fire and ventilate the room in which the unit is placed.

Type of gas used in the product is stated in the type label which is on the left wall inside the refrigerator.

Never throw the product in fire for disposal.

Things to be done for energy Saving

- Do not leave the doors of your refrigerator open for a long time.
 - Do not put hot food or drinks in your refrigerator.
 - Do not overload your refrigerator so that the air circulation inside of it is not prevented.
 - Do not install your refrigerator under direct sunlight or near heat emitting appliances such as ovens, dishwashers or radiators. Keep your refrigerator at least 30cm away from heat emitting sources and at least 5cm from electrical ovens.
 - Pay attention to keep your food in closed containers.
 - You can load maximum amount of food to the freezer compartment of the refrigerator by removing the freezer compartment drawers. Declared energy consumption value of the refrigerator was determined with the freezer compartment drawers removed. There is no risk in using a shelf or drawer suitable for the shapes and sizes of the foods to be frozen.
 - Thawing frozen food in fridge compartment will both provide energy saving and preserve the food quality.
- i** The ambient temperature of the room where you install the refrigerator should at least be -15°C . Operating your refrigerator under colder conditions than this is not recommended.
- i** Inside of your refrigerator must be cleaned thoroughly.

3 Installation

⚠ In case the information which are given in the user manual are not taken into account, manufacturer will not assume any liability for this.

Points to be paid attention to when the relocation of the refrigerator

1. Your refrigerator should be unplugged. Before transportation of your refrigerator, it should be emptied and cleaned.
2. Before it is re-packaged, shelves, accessories, crisper, etc. inside your refrigerator should be fixed with adhesive tape and secured against impacts. Package should be bound with a thick tape or sound ropes and the transportation rules on the package should be strictly observed.
3. Original packaging and foam materials should be kept for future transportations or moving.

Before you start the refrigerator,

Check the following before you start to use your refrigerator:

1. Attach 2 plastic wedges as illustrated below. Plastic wedges are intended to keep the distance which will ensure the air circulation between your refrigerator and the wall. (The picture is drawn up as a representation and it is not identical with your product.)




2. Clean the interior of the refrigerator as recommended in the “Maintenance and cleaning” section.
3. Connect the plug of the refrigerator to the wall socket. When the fridge door is opened, fridge internal lamp will turn on.
4. When the compressor starts to operate, a sound will be heard. The liquid and gases sealed within the refrigeration system may also give rise to noise, even if the compressor is not running and this is quite normal.
5. Front edges of the refrigerator may feel warm. This is normal. These areas are designed to be warm to avoid condensation.


Electrical connection

Connect your product to a grounded socket which is being protected by a fuse with the appropriate capacity. Important:

The connection must be in compliance with national regulations.

- The power plug must be easily accessible after installation.
- Electrical safety of your refrigerator shall be guaranteed only if the earth system in your house complies with standards.
- The voltage stated on the label located at left inner side of your product should be equal to your network voltage.
- **Extension cables and multi plugs must not be used for connection.**

 A damaged power cable must be replaced by a qualified electrician.

 Product must not be operated before it is repaired! There is the risk of electric shock!

Disposing of the packaging

The packing materials may be dangerous for children. Keep the packing materials out of the reach of children or dispose of them by classifying them in accordance with the waste instructions stated by your local authorities. Do not throw away with regular house waste, throw away on packaging pick up spots designated by the local authorities.

The packing of your refrigerator is produced from recyclable materials.


Disposing of your old Refrigerator

Dispose of your old refrigerator without giving any harm to the environment.

- You may consult your authorized dealer or waste collection center of your municipality about the disposal of your refrigerator.

Before disposing of your refrigerator, cut out the electric plug and, if there are any locks on the door, make them inoperable in order to protect children against any danger.

Placing and Installation

 If the entrance door of the room where the refrigerator will be installed is not wide enough for the refrigerator to pass through, then call the authorized service to have them remove the doors of your refrigerator and pass it sideways through the door.

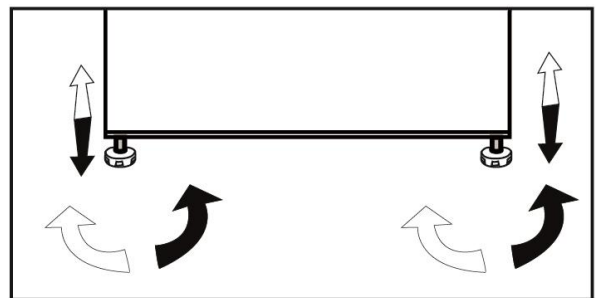
1. Install your refrigerator to a place that allows ease of use.
2. Keep your refrigerator away from heat sources, humid places and direct sunlight.
3. There must be appropriate air ventilation around your refrigerator in order to achieve an efficient operation. If the refrigerator is to be placed in a recess in the wall, there must be at least 5 cm distance with the ceiling and at least 5 cm with the wall. Do not place your product on the materials such as rug or carpet.
4. Place your refrigerator on an even floor surface to prevent jolts.

Changing the illumination Lamp

To change the Bulb/LED used for illumination of your refrigerator, call your Authorized Service.

Adjusting the legs

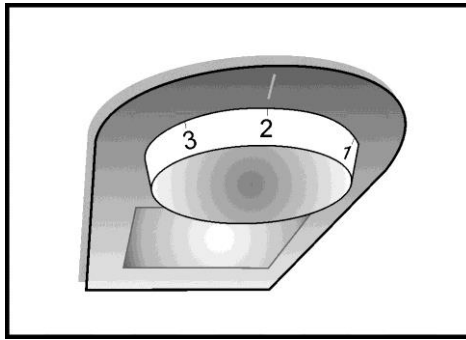
If your refrigerator is unbalanced; You can balance your refrigerator by turning its front legs as illustrated in the figure. The corner where the leg exists is lowered when you turn in the direction of black arrow and raised when you turn in the opposite direction. Taking help from someone to slightly lift the refrigerator will facilitate this process.



4 Preparation

- Your refrigerator should be installed at least 30 cm away from heat sources such as hobs, ovens, central heater and stoves and at least 5 cm away from electrical ovens and should not be located under direct sunlight.
- Please make sure that the interior of your refrigerator is cleaned thoroughly.
- If two refrigerators are to be installed side by side, there should be at least 2 cm distance between them.
- When you operate your refrigerator for the first time, please observe the following instructions during the initial six hours.
- The door should not be opened frequently.
- It must be operated empty without any food in it.
- Do not unplug your refrigerator. If a power failure occurs out of your control, please see the warnings in the “Recommended solutions for the problems” section.
- This product has been designed to function at ambient temperatures up to 43 °C (110 °F).

5 Using your refrigerator



Thermostat setting button

The interior temperature of your refrigerator changes for the following reasons;

- Seasonal temperatures,
- Frequent opening of the door and leaving the door open for long periods,
- Food put into the refrigerator without cooling down to the room temperature,
- The location of the refrigerator in the room (e.g. exposing to sunlight).
- You may adjust the varying interior temperature due to such reasons by using the thermostat.

Operating temperatures are controlled by the thermostat knob and may be set at any position between 0 and 5 (the coldest position).

The average temperature inside the fridge should be around $+5^{\circ}\text{C}$ ($+41^{\circ}\text{F}$). Therefore adjust the thermostat to obtain the desired temperature. Some sections of the fridge may be cooler or warmer (such as salad crisper and top part of the cabinet) which is quite normal. We recommend that you check the temperature periodically with a thermometer to ensure that the cabinet is kept to this temperature. Frequent door openings cause internal temperatures to rise, so it is advisable to close the door as soon as possible after use.

Defrost

A) Fridge compartment

Fridge compartment performs full-automatic defrosting. Water drops and a frosting up to 7-8 mm can occur on the inner rear wall of the fridge compartment while your refrigerator cools down. Such formation is normal as a result of the cooling system. The frost formation is defrosted by performing automatic defrosting with certain intervals thanks to the automatic defrosting system of the rear wall. User is not required to scrape the frost or remove the water drops. Water resulting from the defrosting passes from the water collection groove and flows into the evaporator through the drain pipe and evaporates here by itself. Check regularly to see if the drain pipe is clogged or not and clear it with the stick in the hole when necessary.

Deep freezer compartment does not perform automatic defrosting in order to prevent decaying of the frozen food.

B) Freezer compartment

Defrosting is very straightforward and without mess, thanks to a special defrost collection basin.

Defrost twice a year or when a frost layer of around 7 (1/4") mm has formed. To start the defrosting procedure, switch off the appliance at the socket outlet and pull out the mains plug.

All food should be wrapped in several layers of newspaper and stored in a cool place (e.g.) fridge or larder.

Containers of warm water may be placed carefully in the freezer to speed up the defrosting.

Do not use pointed or sharp-edged objects, such as knives or forks to remove the frost.

Never use hair dryers, electrical heaters or other such electrical appliances for defrosting.

Sponge out the defrost water collected in the bottom of the freezer compartment.

After defrosting, dry the interior thoroughly. Insert the plug into the wall socket and switch on the electricity supply.

Freezing fresh food

- It must be preferred to wrap or cover the food before placing them in the refrigerator.
- Hot food must cool down to the room temperature before putting them in the refrigerator.
- The foodstuff that you want to freeze must be fresh and in good quality.
- Foodstuff must be divided into portions according to the family's daily or meal based consumption needs.
- The foodstuff must be packaged in an airtight manner to prevent them from drying even if they are going to be kept for a short time.
- Materials to be used for packaging must be tear-proof and resistant to cold, humidity, odor, oils and acids and they must also be airtight. Moreover, they must be well closed and they must be made from easy-to-use materials that are suitable for deep freeze usage.
- Frozen food must be used immediately after they are thawed and they should never be re-frozen.
- Please observe the following instructions to obtain the best results.
 1. Do not freeze too large quantities of food at one time. The quality of the food is best preserved when it is frozen right through to the core as quickly as possible.
 2. Placing warm food into the freezer compartment causes the cooling system to operate continuously until the food is frozen solid.
 3. Take special care not to mix already frozen food and fresh food.
- Hot food and beverages must cool down to the room temperature before putting them in the refrigerator.
- Maximum frozen food storage volume is achieved without using the drawers and the upper shelf cover provided in the freezer compartment. Energy consumption of your appliance is declared while the freezer compartment is fully loaded on shelves without the use of the drawers and upper shelf cover.
- If there is a power failure do not open the freezer door. Even if the power failure lasts up to the "Temperature Increasing Time" indicated in the "Technical specifications of your refrigerator" section, frozen food will not be affected. In case the failure lasts longer, the food must be checked and when necessary, must be consumed immediately or must be frozen after cooked.
- Please pay attention to the expiry date, maximum allowed storage period and recommended storage temperature of foodstuffs when purchased. If expiry date is passed, do not consume.

Recommendations for preservation of frozen food

Prepacked commercially frozen food should be stored in accordance with the frozen food manufacturer's instructions for a *** ** *** (4 star) frozen food storage compartment.

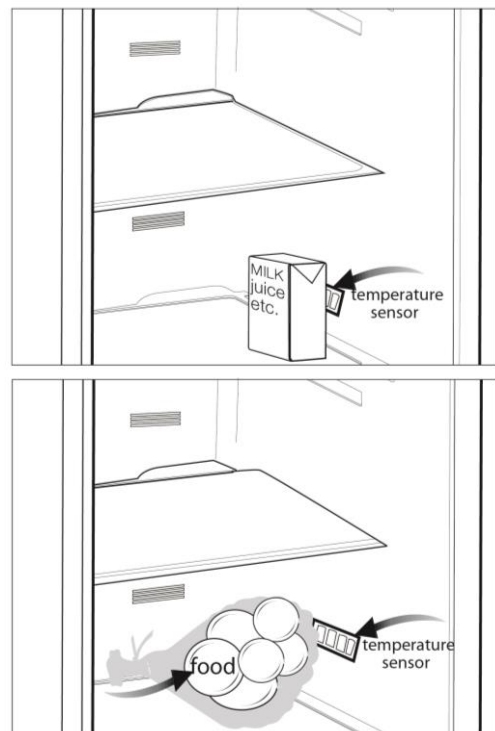
- To ensure that the high quality achieved by the frozen food manufacturer and the food retailer is maintained, the following should be remembered:

1. Put packages in the freezer as quickly as possible after purchase.
2. Ensure that contents are labeled and dated.
3. Do not exceed "Use By", "Best Before" dates on the packaging.

Recommendations for the fresh food compartment

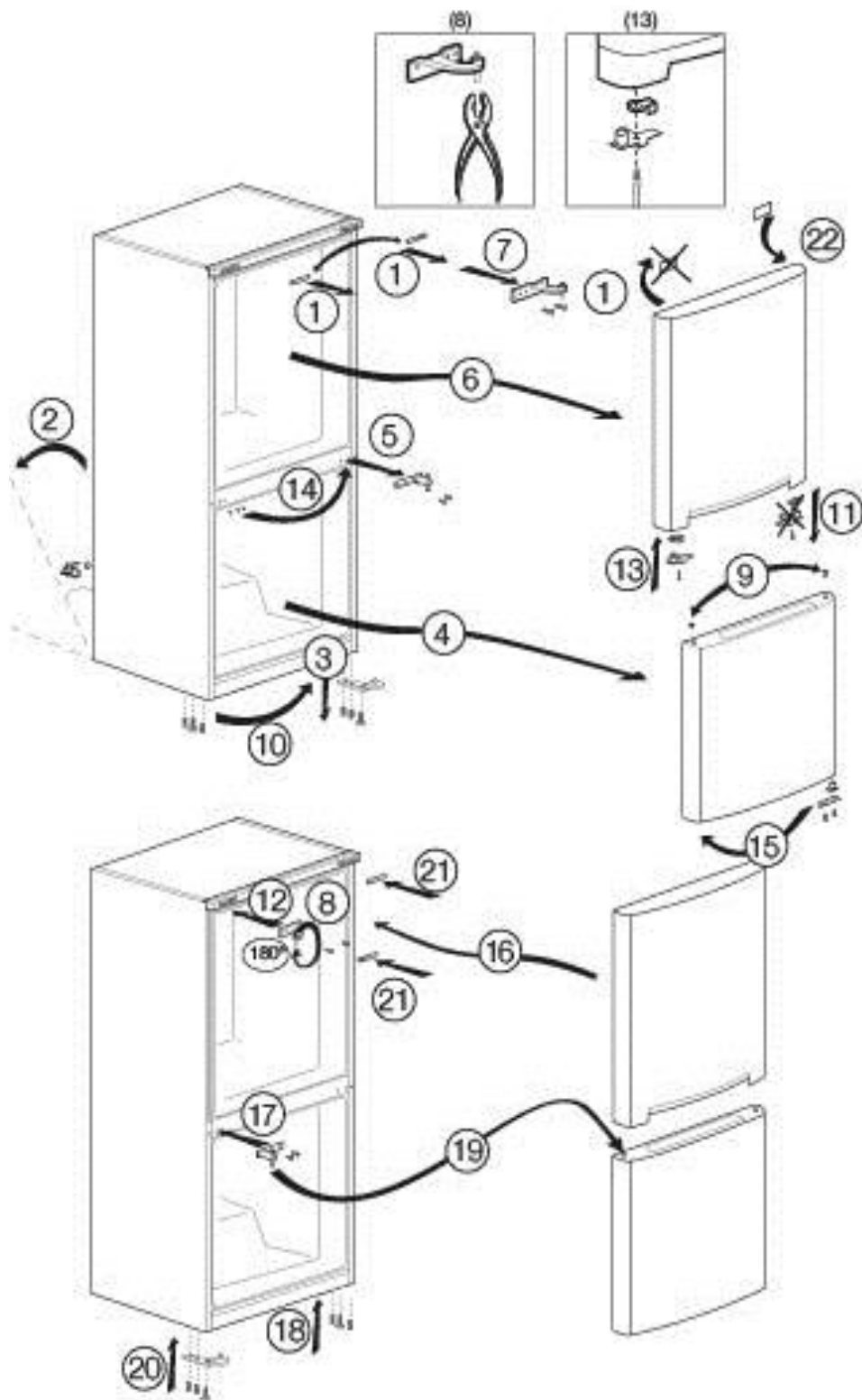
***optional**

- Do not allow the food to touch the temperature sensor in fresh food compartment. To allow the fresh food compartment keep its ideal storage temperature, sensor must not be hindered by food.
- Do not place hot foods in the product.



Reversing the doors

Proceed in numerical order



6 Maintenance and cleaning

- ⚠ Never use gasoline, benzene or similar substances for cleaning purposes.
- ⚠ We recommend that you unplug the appliance before cleaning.
- ⚠ Never use any sharp abrasive instrument, soap, household cleaner, detergent and wax polish for cleaning.
- ℹ Use lukewarm water to clean the cabinet of your refrigerator and wipe it dry.
- ℹ Use a damp cloth wrung out in a solution of one teaspoon of bicarbonate of soda to one pint of water to clean the interior and wipe it dry.
- ⚠ Make sure that no water enters the lamp housing and other electrical items.
- ⚠ If your refrigerator is not going to be used for a long period of time, unplug the power cable, remove all food, clean it and leave the door ajar.
- ℹ Check door seals regularly to ensure they are clean and free from food particles.
- ⚠ To remove door racks, remove all the contents and then simply push the door rack upwards from the base.
- ⚠ Never use cleaning agents or water that contain chlorine to clean the outer surfaces and chromium coated parts of the product. Chlorine causes corrosion on such metal surfaces.

Avoiding bad odours

Materials that may cause odour are not used in the production of our refrigerators.

However, due to inappropriate food preserving conditions and not cleaning the inner surface of the refrigerator as required can bring forth the problem of odour. Pay attention to following to avoid this problem:

- Keeping the refrigerator clean is important.

Food residuals, stains, etc. can cause odour. Therefore, clean the refrigerator with carbonate dissolved in water every 15 days. Never use detergents or soap.

- Keep the food in closed containers.

Microorganisms spreading out from uncovered containers can cause unpleasant odours.

- Never keep the food that have expired best before dates and spoiled in the refrigerator.

Protection of plastic surfaces

- ℹ Do not put the liquid oils or oil-cooked meals in your refrigerator in unsealed containers as they damage the plastic surfaces of your refrigerator. In case of spilling or smearing oil on the plastic surfaces, clean and rinse the relevant part of the surface at once with warm water.

7 Troubleshooting

Please review this list before calling the service. It will save your time and money. This list includes frequent complaints that are not arising from defective workmanship or material usage. Some of the features described here may not exist in your product.

The refrigerator does not operate.

- The plug is not inserted into the socket correctly. >>>Insert the plug into the socket securely.
- The fuse of the socket which your refrigerator is connected to or the main fuse have blown out. >>>Check the fuse.

Condensation on the side wall of the fridge compartment (MULTIZONE, COOL CONTROL and FLEXI ZONE).

- Ambient is very cold. >>>Do not install the refrigerator in places where the temperature falls below 10 °C.
- Door has been opened frequently. >>>Do not open and close the door of refrigerator frequently.
- Ambient is very humid. >>>Do not install your refrigerator into highly humid places.
- Food containing liquid is stored in open containers. >>>Do not store food with liquid content in open containers.
- Door of the refrigerator is left ajar. >>>Close the door of the refrigerator.
- Thermostat is set to a very cold level. >>>Set the thermostat to a suitable level.

Compressor is not running

- Protective thermic of the compressor will blow out during sudden power failures or plug-out plug-ins as the refrigerant pressure in the cooling system of the refrigerator has not been balanced yet. The refrigerator will start running approximately after 6 minutes. Please call the service if the refrigerator does not startup at the end of this period.
- The fridge is in defrost cycle. >>>This is normal for a full-automatically defrosting refrigerator. Defrosting cycle occurs periodically.
- The refrigerator is not plugged into the socket. >>>Make sure that the plug is fit into the socket.
- Temperature settings are not made correctly. >>>Select the suitable temperature value.
- There is a power outage. >>>Refrigerator returns to normal operation when the power restores.

The operation noise increases when the refrigerator is running.

- The operating performance of the refrigerator may change due to the changes in the ambient temperature. It is normal and not a fault.

The refrigerator is running frequently or for a long time.

- New product may be wider than the previous one. Larger refrigerators operate for a longer period of time.
- The room temperature may be high. >>>It is normal that the product operates for longer periods in hot ambient.
- The refrigerator might be plugged in recently or might be loaded with food. >>>When the refrigerator is plugged in or loaded with food recently, it will take longer for it to attain the set temperature. This is normal.
- Large amounts of hot food might be put in the refrigerator recently. >>>Do not put hot food into the refrigerator.
- Doors might be opened frequently or left ajar for a long time. >>>The warm air that has entered into the refrigerator causes the refrigerator to run for longer periods. Do not open the doors frequently.
- Freezer or fridge compartment door might be left ajar. >>>Check if the doors are closed completely.
- The refrigerator is adjusted to a very low temperature. >>>Adjust the refrigerator temperature to a warmer degree and wait until the temperature is achieved.
- Door seal of the fridge or freezer may be soiled, worn out, broken or not properly seated. >>>Clean or replace the seal. Damaged/broken seal causes the refrigerator to run for a longer period of time in order to maintain the current temperature.

Freezer temperature is very low while the fridge temperature is sufficient.

- The freezer temperature is adjusted to a very low value. >>>Adjust the freezer temperature to a warmer degree and check.

Fridge temperature is very low while the freezer temperature is sufficient.

- The fridge temperature is adjusted to a very low value. >>>Adjust the fridge temperature to a warmer degree and check.

Food kept in the fridge compartment drawers is frozen.

- The fridge temperature is adjusted to a very high value. >>>Adjust the fridge temperature to a lower value and check.

Temperature in the fridge or freezer is very high.

- The fridge temperature is adjusted to a very high value. >>>Fridge compartment temperature setting has an effect on the temperature of the freezer. Change the temperatures of the fridge or freezer and wait until the relevant compartments attain a sufficient temperature.
- Doors are opened frequently or left ajar for a long time. >>>Do not open the doors frequently.
- Door is ajar. >>>Close the door completely.
- The refrigerator is plugged in or loaded with food recently. >>>This is normal. When the refrigerator is plugged in or loaded with food recently, it will take longer for it to attain the set temperature.
- Large amounts of hot food might be put in the refrigerator recently. >>>Do not put hot food into the refrigerator.

Vibrations or noise.
<ul style="list-style-type: none"> • The floor is not level or stable. >>> If the refrigerator rocks when moved slowly, balance it by adjusting its feet. Also make sure that the floor is strong enough to carry the refrigerator, and level. • The items put onto the refrigerator may cause noise. >>>Remove the items on top of the refrigerator.
There are noises coming from the refrigerator like liquid flowing, spraying, etc.
<ul style="list-style-type: none"> • Liquid and gas flows occur in accordance with the operating principles of your refrigerator. It is normal and not a fault.
Whistle comes from the refrigerator.
<ul style="list-style-type: none"> • Fans are used in order to cool the refrigerator. It is normal and not a fault.
Condensation on the inner walls of refrigerator.
<ul style="list-style-type: none"> • Hot and humid weather increases icing and condensation. It is normal and not a fault. • Doors are opened frequently or left ajar for a long time. >>>Do not open the doors frequently. Close them if they are open. • Door is ajar. >>>Close the door completely.
Humidity occurs on the outside of the refrigerator or between the doors.
<ul style="list-style-type: none"> • There might be humidity in the air; this is quite normal in humid weather. When the humidity is less, condensation will disappear.
Bad odour inside the refrigerator.
<ul style="list-style-type: none"> • No regular cleaning is performed. >>>Clean the inside of the refrigerator regularly with a sponge, lukewarm water or carbonate dissolved in water. • Some containers or package materials may cause the smell. >>>Use a different container or different brand packaging material. • Food is put into the refrigerator in uncovered containers. >>>Keep the food in closed containers. Microorganisms spreading out from uncovered containers can cause unpleasant odours. • Remove the foods that have expired best before dates and spoiled from the refrigerator.
The door is not closing.
<ul style="list-style-type: none"> • Food packages are preventing the door from closing. >>>Replace the packages that are obstructing the door. • The refrigerator is not completely even on the floor. >>>Adjust the feet to balance the refrigerator. • The floor is not level or strong. >>>Make sure that the floor is level and capable to carry the refrigerator.
Crispers are stuck.
<ul style="list-style-type: none"> • The food is touching the ceiling of the drawer. >>>Rearrange food in the drawer.

Prosimy najpierw przeczytać tę instrukcję obsługi!

Droży Klienci,

Mamy nadzieję, że nasz wyrób, wyprodukowany w nowoczesnym zakładzie i sprawdzony według najbardziej drobiazgowych procedur kontroli jakości, będzie Wam dobrze służył.

Dlatego prosimy uważnie przeczytać całą instrukcję obsługi chłodziarki przed jej użyciem i zachować ją do późniejszego wglądu. Przy przekazaniu tej chłodziarki komuś innemu, prosimy także przekazać tę instrukcję.

Niniejsza instrukcja obsługi pomoże korzystać z tej chłodziarki sprawnie i bezpiecznie.

- Proszę przeczytać tę instrukcję przed zainstalowaniem i uruchomieniem chłodziarki.
- Prosimy na pewno przeczytać wskazówki na temat bezpieczeństwa.
- Prosimy przechowywać tę instrukcję w łatwo dostępnym miejscu, bo może się przydać później.
- Prosimy przeczytać również inne dokumenty dostarczone wraz z chłodziarką.

Zwracamy uwagę, że instrukcja ta odnosi się także do kilku innych modeli. Różnice pomiędzy modelami zostaną wskazane w instrukcji.

Objaśnienie symboli

W niniejszej instrukcji obsługi używa się następujących symboli:

 Ważne informacje i przydatne wskazówki.

 Ostrzeżenie przed zagrożeniem życia i mienia.

 Ostrzeżenie przed porażeniem elektrycznym.

1 Oto Wasza chłodziarka **3**

2 Ważne zasady bezpieczeństwa **4**

Zamierzone przeznaczenie.....	4
Ogólne zasady bezpieczeństwa.....	4
Dotyczy modeli z dozownikiem wody.....	6
Bezpieczeństwo dzieci.....	6
Zgodność z przepisami AEEE i utylizacja zużytej chłodziarki.....	6
Informacje na opakowaniu.....	7
Ostrzeżenie HCA.....	7
Co robić, aby oszczędzać energię.....	7

3 Instalacja **8**

Na co należy zwrócić uwagę przy przenoszeniu chłodziarki.....	8
Przed uruchomieniem chłodziarki.....	8
Połączenia elektryczne.....	9
Utylizacja opakowania.....	9
Utylizacja starej chłodziarki.....	9
Ustawienie i instalacja.....	9
Wymiana lampki oświetlenia.....	9
Nastawianie nóżek.....	9

4 Przygotowanie **11**

5 Użytkowanie chłodziarki **12**

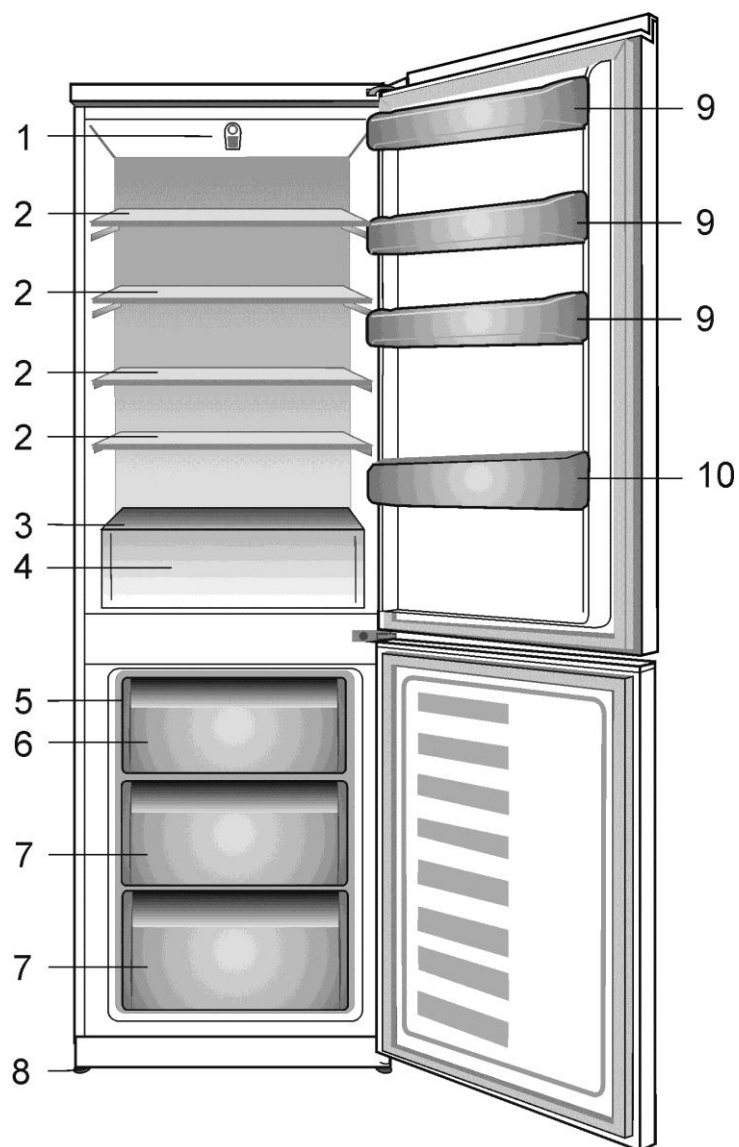
Przycisk nastawiania termostatu.....	12
Rozmrażanie.....	13
Zamrażanie żywności świeżej.....	14
Zalecenia co do przechowywania mrożonek.....	15
Zalecenia co do komory na żywność świeżą.....	15
Przekładanie drzwiczek.....	16

6 Konserwacja i czyszczenie **17**

Jak unikać nieprzyjemnych zapachów.....	17
Zabezpieczenia powierzchni plastykowych.....	17

7 Rozwiązywanie problemów **18**

1 Oto chłodziarka



- | | |
|--|---|
| 1. Pokrętko regulacji i oświetlenie wewnętrzne | 7. Komory do przechowywania żywności mrożonej |
| 2. Nastawialne półki komory chłodziarki | 8. Nastawiane nóżki przednie |
| 3. Szyba pokrywy | 9. Półka na stoiki |
| 4. Pojemniki na świeże warzywa | 10. Półka na butelki |
| 5. Podpory tacki na lód i tacka na lód | |
| 6. Komora szybkiego zamrażania | |

i Rysunki w niniejszej instrukcji to tylko schematy i nie muszą ściśle odpowiadać Waszemu modelowi chłodziarki. Jeśli pewnych części nie ma w Waszej chłodziarce, to znaczy, że odnoszą się do innych modeli.

2 Ważne ostrzeżenia dot. bezpieczeństwa

Prosimy przeczytać następujące ostrzeżenia. Niestosowanie się do tej informacji może spowodować obrażenia lub szkody materialne.

W takim przypadku tracą ważność wszelkie gwarancje i zapewnienia niezawodności.

Okres użytkowania tego wyrobu to 10 lat. W tym okresie dostępne będą oryginalne części zamienne potrzebne do jego prawidłowej pracy.

Zamierzone przeznaczenie

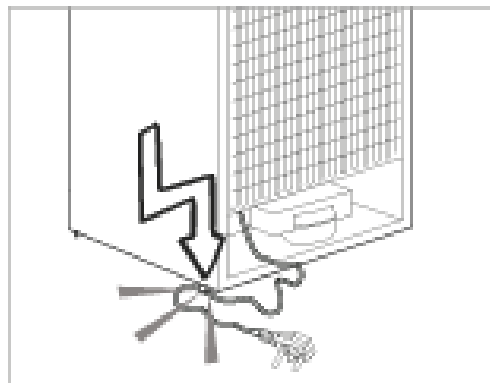
- Chłodziarka jest przeznaczona do używania we wnętrzach i obszarach zamkniętych, takich jak domy;
- w zamkniętych pomieszczeniach roboczych, takich jak sklepy i biura;
- w zamkniętych pomieszczeniach mieszkalnych, takich jak domy w gospodarstwach wiejskich, hotele i pensjonaty.
- Nie należy używać jej na dworze.

Ogólne zasady bezpieczeństwa

- Gdy zechcecie pozbyć się tego urządzenia/zezłomować je, zalecamy skonsultowanie się z autoryzowanym serwisem, aby uzyskać potrzebne informacje i poznać kompetentne podmioty.
- W sprawach wszelkich pytań i problemów związanych z tą chłodziarką konsultujcie się z Waszym autoryzowanym serwisem. Bez powiadomienia autoryzowanego serwisu nie interweniujcie sami i nie pozwalajcie interweniować innym w funkcjonowanie chłodziarki.
- Dotyczy modeli z zamrażalnikiem: Nie jedzcie lodów ani kostek lodu bezpośrednio po wyjęciu ich z zamrażalnika! (Może to spowodować odmrożenia w ustach).

- Dotyczy modeli z zamrażalnikiem: Nie wkładajcie do zamrażalnika napojów w butelkach ani w puszkach. Mogą wybuchnąć.
- Nie dotykajcie palcami mrożonej żywności, bo może do nich przyłgnąć.
- Przed czyszczeniem lub rozmrażaniem chłodziarki wyjmujcie jej wtyczkę z gniazdka.
- Do czyszczenia i rozmrażania chłodziarki nie wolno stosować pary ani środków czyszczących w tej postaci. W takich przypadkach para może zetknąć się z częściami urządzeń elektrycznych i spowodować zwarcie albo porażenie elektryczne.
- Nie wolno używać żadnych części chłodziarki, takich jak drzwiczki, jako podpory ani stopnia.
- Wewnątrz chłodziarki nie wolno używać urządzeń elektrycznych.
- Nie wolno uszkadzać obwodu chłodzącego, w którym krąży środek chłodzący, narzędziami do wiercenia i cięcia. Środek chłodzący, który może wybuchnąć skutkiem przedziurawienia przewodów gazowych parownika, przedłużeń rur lub powłok powierzchni, powoduje podrażnienia skóry lub obrażenia oczu.
- Nie przykrywajcie żadnym materiałem ani nie blokujcie otworów wentylacyjnych w chłodziarce.
- Urządzenia elektryczne mogą naprawiać tylko osoby z uprawnieniami. Naprawy wykonywane przez osoby niekompetentne stwarzają zagrożenie dla użytkowników.

- W razie jakiegokolwiek awarii, a także w trakcie prac konserwacyjnych lub napraw, odłączcie chłodziarkę od zasilania z sieci, wyłączając odnośny bezpiecznik albo wyjmując wtyczkę z gniazdka.
- Wyjmując przewód zasilający z gniazdka, należy ciągnąć za wtyczkę, nie za przewód.
- Napoje o wyższej zawartości alkoholu wkładajcie do chłodziarki w dokładnie zamkniętych naczyniach i w pozycji pionowej.
- Nie wolno przechowywać w chłodziarce puszek do rozpylania substancji łatwopalnych lub wybuchowych.
- W celu przyspieszenia procesu rozmrażania chłodziarki nie należy używać żadnych urządzeń mechanicznych ani innych środków poza zalecanymi przez jej producenta.
- Wyrób ten nie jest przeznaczony do użytku osób o ograniczonej sprawności fizycznej, zmysłowej lub umysłowej oraz osoby bez odpowiedniego doświadczenia i umiejętności (w tym dzieci), o ile nie zapewni się im nadzoru lub instrukcji jego użytkownika ze strony osoby odpowiedzialnej za ich bezpieczeństwo.
- Nie uruchamiajcie chłodziarki, jeśli jest uszkodzona. W razie jakichkolwiek obaw skontaktujcie się z pracownikiem serwisu.
- Bezpieczeństwo elektryczne tej chłodziarki gwarantuje się tylko wówczas, jeśli system uziemienia Waszej instalacji domowej spełnia wymogi norm.
- Wystawianie tego urządzenia na działanie deszczu, śniegu, słońca i wiatru zagraża jego bezpieczeństwu elektrycznemu.
- W razie uszkodzenia przewodu zasilającego skontaktujcie się z autoryzowanym punktem serwisowym aby uniknąć zagrożenia.
- W trakcie instalowania chłodziarki nigdy nie wolno włączać wtyczki w gniazdko w ścianie. Może to zagrażać śmiercią lub poważnym urazem.
- Chłodziarka ta przeznaczona jest wyłącznie do przechowywania żywności. Nie wolno jej używać w żadnym innym celu.
- Tabliczka z danymi technicznymi umieszczona jest na lewej ścianie wewnątrz chłodziarki.
- Chłodziarki nie wolno przyłączać do systemów oszczędzających energię elektryczną, może to ją uszkodzić.
- Jeśli na chłodziarce pali się niebieskie światło, nie należy patrzeć na nie przez przyrządy optyczne.
- Jeśli chłodziarka obsługiwana jest ręcznie, po awarii zasilania należy odczekać przynajmniej 5 minut przed jej ponownym załączeniem.
- Przy przekazaniu chłodziarki nowemu posiadaczowi wraz z nią należy przekazać niniejszą instrukcję.
- Przy transporcie chłodziarki należy unikać uszkodzenia jej przewodu zasilającego. Zagięcie przewodu może spowodować pożar. Na przewodzie zasilającym nie wolno ustawiać żadnych ciężkich przedmiotów.
- Nie wolno wkładać wtyczki do gniazdka mokrymi dłońmi.



- Nie wolno wkładać wtyczki chłodziarki do obłuzowanego gniazdka.
- Ze względów bezpieczeństwa nie wolno przyskać wodą bezpośrednio na żadne wewnętrzne i zewnętrzne części chłodziarki.

- Nie wolno rozpylać substancji zawierających łatwopalny gaz, np. propan, w pobliżu chłodziarki, ponieważ grozi to pożarem i wybuchem.
- Nie wolno stawiać na chłodziarce pojemników napełnionych wodą, ponieważ może to spowodować porażenie prądem elektrycznym lub pożar.
- Nie przeciążajcie chłodziarki nadmierną zawartością. W przeładowanej chłodziarce po otwarciu drzwiczek żywność może spadać z półek, powodując urazy użytkowników i uszkodzenia chłodziarki.
- Nie wolno stawiać żadnych przedmiotów na chłodziarce, ponieważ mogą spaść przy otwieraniu lub zamykaniu drzwiczek.
- Ponieważ szczepionki, lekarstwa wrażliwe na ciepło, materiały naukowe, itp. wymagają ściśle regulowanej temperatury, nie należy ich przechowywać w chłodziarce.
- Jeśli chłodziarka nie będzie używana przez dłuższy czas, należy wyjąć jej wtyczkę z gniazdka. Ewentualny problem z przewodem zasilającym może spowodować pożar.
- Czubki wtyczki należy regularnie czyścić suchą ściereczką, w przeciwnym razie mogą spowodować pożar.
- Jeśli nastawiane nóżki nie są bezpiecznie ustawione na podłodze, chłodziarka może się przemieszczać. Właściwe zabezpieczenie nastawianych nóżek na podłodze może temu zapobiec.
- Przy przenoszeniu chłodziarki nie chwytajcie za klamkę w drzwiczkach. W ten sposób można ją urwać.
- Gdy chłodziarkę trzeba ustawić obok innej chłodziarki lub zamrażarki, należy zachować przynajmniej 8 cm odstępu pomiędzy nimi. W przeciwnym razie przylegające do siebie ścianki mogą pokrywać się wilgocią.

Dotyczy modeli z dozownikiem wody:

Ciśnienie wody w kranie powinno wynosić przynajmniej 1 bar. Ciśnienie wody w kranie nie powinno przekraczać 8 bar.


- Należy używać wyłącznie wody pitnej.

Bezpieczeństwo dzieci

- Jeśli drzwiczki zamykane są na klucz, należy go chronić przed dostępem dzieci.
- Należy zwracać uwagę, aby dzieci nie bawiły się, manipulując chłodziarką.

Zgodność z przepisami AEEE i utylizacja zużytej chłodziarki



Symbol  na wyrobie lub opakowaniu oznacza, że wyrób ten nie może być traktowany jako odpadki domowe. Zamiast tego należy je dostarczyć do właściwego punktu zbierania surowców wtórnych z urządzeń elektrycznych i elektronicznych. Zapewniając odpowiednie złomowanie tego wyrobu przyczyniamy się do zapobiegania potencjalnie szkodliwym konsekwencjom dla środowiska naturalnego oraz zdrowia ludzi, które w przeciwnym razie mogłyby być spowodowane nieprawidłowym jego nieodpowiednim złomowaniem. Aby uzyskać bardziej szczegółowe informacje o odzyskiwaniu surowców wtórnych z tego wyrobu, prosimy skontaktować się ze swym organem administracji lokalnej, służbą oczyszczania miasta lub ze sklepem, gdzie wyrób ten został zakupiony.

Informacje opakowaniu

Materiały opakowania tego wyrobu są wykonane z surowców wtórnych, zgodnie z naszymi krajowymi przepisami dotyczącymi ochrony środowiska.

Materiałów opakunkowych nie wolno wyrzucać z odpadami z gospodarstwa domowego lub innymi. Należy przekazać je do punktu zbiórki surowców wtórnych.

Nie zapomnijcie...

Wszelkie substancje recyklingowane mają ogromne znaczenie dla środowiska i bogactwa naszego kraju.

Jeśli chcecie wziąć udział w ocenie materiałów do pakowania, skontaktujcie się z organizacjami ekologicznymi w swojej okolicy lub władzami lokalnymi.

Ostrzeżenie HCA

Jeśli system chłodniczy Waszej chłodziarki zawiera R600a:

Gaz ten jest łatwopalny. Należy zatem uważać, aby w trakcie jego użytkowania i transportu nie uszkodzić systemu i przewodów chłodzenia. W razie uszkodzenia, należy trzymać chłodziarkę z dala od potencjalnych źródeł ognia, które mogą spowodować jej pożar i należy wietrzyć pomieszczenie, w którym jest umieszczona.

Rodzaj zastosowanego gazu podano na tabliczce umieszczonej na lewej ścianie wewnątrz chłodziarki.

Nie wolno pozbywać się tego wyrobu poprzez jego spalanie.

Co robić, aby oszczędzać energię

- Nie zostawiajcie drzwiczek chłodziarki otwartych na dłużej.
 - Nie wkładajcie do chłodziarki gorących potraw ani napojów.
 - Nie przeladowujcie chłodziarki, ponieważ będzie to utrudniać krążenie powietrza w jej wnętrzu.
 - Nie instalujcie chłodziarki tam, gdzie narażona będzie na bezpośrednie działanie słońca, ani w pobliżu urządzeń wydzielających ciepło, takich jak piecyki, zmywarki do naczyń lub grzejniki. Chłodziarkę instaluje się co najmniej 30 cm od źródeł ciepła oraz co najmniej 5 cm od kuchenek elektrycznych.
 - Pamiętajcie, aby żywność przechowywać w zamkniętych pojemnikach.
 - W zamrażalniku chłodziarki zmieścić można najwięcej żywności, jeśli wyjmie się z niego półkę z szufladą. Deklarowane zużycie energii przez chłodziarkę określono przy szufladach wyjętych z komory zamrażalnika. Używanie półki lub szuflady odpowiednio do kształtów i rozmiarów zamrażanej żywności jest bezpieczne.
 - Rozmrażanie mrożonek w komorze zamrażalnika pozwala zarówno oszczędzać energię, jak i zachować jakość żywności.
- i** Temperatura otoczenia w pomieszczeniu, gdzie instaluje się chłodziarkę, powinna wynosić co najmniej -15°C. Ze względu na wydajność chłodziarki nie zaleca się użytkowania jej w niższych temperaturach.
- i** Trzeba dokładnie oczyścić wnętrze chłodziarki.

3 Instalacja

⚠ W przypadku zignorowania podanych w tej instrukcji obsługi informacji, producent nie ponosi za to żadnej odpowiedzialności.

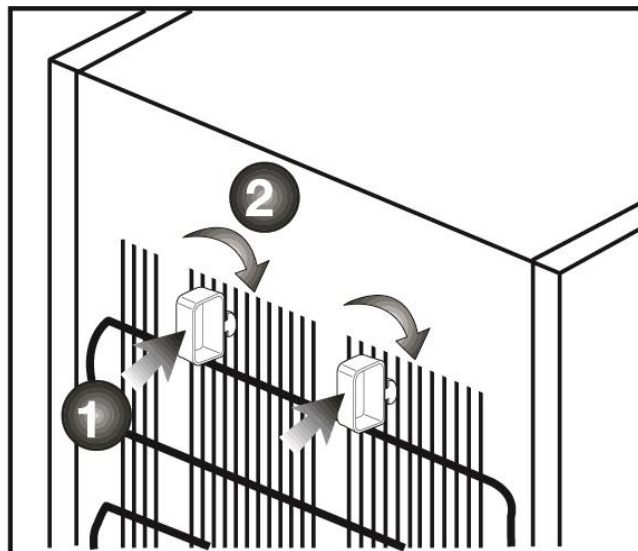
Na co należy zwrócić uwagę przy przenoszeniu chłodziarki

1. Należy wyjąć wtyczkę chłodziarki z kontaktu. Przed transportem należy chłodziarkę opróżnić i oczyścić.
2. Przed ponownym opakowaniem chłodziarki, półki, akcesoria, pojemnik na świeże warzywa itp. w jej wnętrzu należy przymocować za pomocą taśmy klejącej i zabezpieczyć przed uszkodzeniem. Opakowanie należy obwiązać grubą taśmą lub solidnym sznurem i ściśle przestrzegać zasad transportowania takich pakunków.
3. Oryginalne opakowanie i elementy z pianki należy zachować do przyszłego transportu lub przeprowadzek.

Przed uruchomieniem chłodziarki

Zanim zaczniecie korzystać z chłodziarki, sprawdźcie, co następuje:

1. Załóżcie 2 kliny z tworzywa sztucznego, jak na rysunku poniżej. Kliny z tworzywa sztucznego zapewniają odstęp dla cyrkulacji powietrza pomiędzy chłodziarką a ścianą. (Rysunek ten służy celom poglądowym i nie musi być identyczny z Waszą chłodziarką.)



2. Oczyścić wnętrze chłodziarki, zgodnie z zaleceniami podanymi w rozdziale „Konserwacja i czyszczenie”.
3. Wsadź wtyczkę chłodziarki w gniazdko w ścianie. Po otwarciu drzwiczek chłodziarki, zapali się światło w jej wnętrzu.
4. Gdy zaczyna działać sprężarka, słychać będzie jej odgłos. Płyny i gazy zawarte w systemie chłodzenia także mogą powodować szumy, nawet jeśli nie działa sprężarka i jest to zupełnie normalne.
5. Przednie krawędzie chłodziarki mogą się nagrzewać. Jest to całkiem normalne. Te obszary powinny się nagrzewać, co zapobiega skraplaniu się pary.

Połączenia elektryczne

Chłodziarkę przyłącza się do gniazdka z uziemieniem, zabezpieczonego bezpiecznikiem o odpowiedniej wydajności.

Ważne:

Przyłączenie chłodziarki musi być zgodne z przepisami krajowymi.

- Po instalacji wtyczka zasilania musi być łatwo dostępna.
- Bezpieczeństwo elektryczne tej chłodziarki gwarantuje się tylko wówczas, jeśli system uziemienia Waszej instalacji domowej spełnia wymogi norm.
- Napięcie podane na etykiecie wewnątrz chłodziarki po lewej powinno być równe napięciu w sieci.
- **Do przyłączenia nie można używać przedłużaczy ani przewodów z wieloma wtyczkami.**

⚠ Uszkodzony przewód zasilający musi wymienić upoważniony i wykwalifikowany elektryk.

⚠ Nie można ponownie uruchamiać produktu przed jego naprawieniem! Grozi to porażeniem elektrycznym!

Usuwanie opakowania

Materiały opakunkowe mogą być niebezpieczne dla dzieci. Należy chronić materiały opakunkowe przed dostępem dzieci, albo usunąć je zgodnie z podaną przez miejscowe władze instrukcją odpowiednią dla odpadków ich kategorii. Nie należy wyrzucać ich wraz ze zwykłymi odpadkami domowymi, ale na wyznaczony przez lokalne władze śmietnik opakowań.

Opakowanie tej chłodziarki wyprodukowano z surowców wtórnych.

Utylizacja starej chłodziarki

Starej chłodziarki należy pozbyć się tak, aby nie zaszkodzić środowisku naturalnemu.

- W sprawie utylizacji chłodziarki możecie skonsultować się z autoryzowanym sprzedawcą lub punktem zbiórki surowców wtórnych w swojej miejscowości.

Przed utylizacją chłodziarki należy odciąć wtyczkę zasilania elektrycznego, a jeśli w drzwiczkach są jakieś zamki, należy je trwale uszkodzić, aby zapobiec zagrożeniu dzieci.

Ustawienie i instalacja

⚠ Jeśli drzwi wejściowe do pomieszczenia, w którym ma być zainstalowana chłodziarka, są zbyt wąskie, aby mogła przez nie przejść, należy wezwać autoryzowany serwis, który zdemontuje z niej drzwiczki i przeniesie ją bokiem przez drzwi.

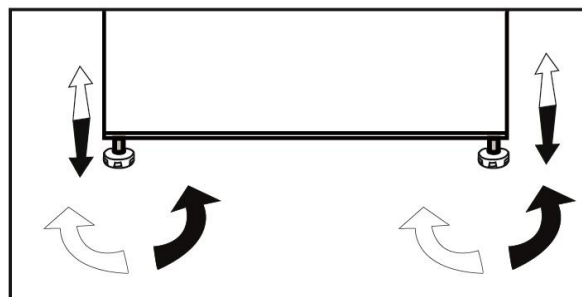
1. Chłodziarkę należy zainstalować w miejscu, w którym łatwo będzie ją używać.
2. Chłodziarka musi stać z dala od źródeł ciepła, miejsc wilgotnych i bezpośrednio nasłonecznionych.
3. Aby uzyskać wydajną pracę chłodziarki, należy zapewnić odpowiednią wentylację wokół niej. Jeśli chłodziarka ma stanąć we wnęce w ścianie, należy zachować co najmniej 5 cm odstęp od sufitu i ściany. Nie stawiaj chłodziarki na dywanie, wykładzinie dywanowej, ani żadnym podobnym podłożu.
4. Aby uniknąć wstrząsów, chłodziarkę należy ustawić na równej powierzchni podłogi.

Wymiana lampki oświetlenia

Aby wymienić żarówkę/diodę LED używaną do oświetlenia chłodziarki, należy wezwać autoryzowany serwis.

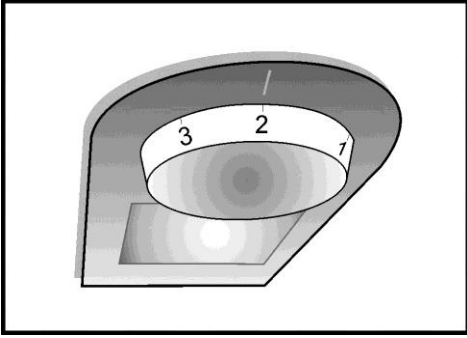
Nastawianie nóg

Jeśli chłodziarka nie stoi równo: Można wyrównać jej ustawienie, obracając przednie nóżki, tak jak pokazano na rysunku. Narożnik lodówki obniża się obracając nóżkę w tym narożniku w kierunku czarnej strzałki, lub podnosi obracając nóżkę w przeciwnym kierunku. Takie działanie ułatwi lekkie uniesienie chłodziarki z pomocą innej osoby.



4 Przygotowanie

- Chłodziarkę należy zainstalować przynajmniej 30 cm od źródeł ciepła takich jak kuchenka, kaloryfer lub piec, i przynajmniej 5 cm od piecyka elektrycznego, a także należy chronić ją przed bezpośrednim działaniem słońca.
- Należy upewnić się, że wnętrze chłodziarki zostało dokładnie oczyszczone.
- Jeśli zainstalowane mają być dwie chłodziarki obok siebie, należy zachować co najmniej 2 cm odstępu między nimi.
- Przy pierwszym uruchomieniu chłodziarki należy przez pierwsze sześć godzin przestrzegać następujących instrukcji.
- Nie należy zbyt często otwierać drzwiczek.
- Należy uruchomić ją pustą, bez żadnej żywności we wnętrzu.
- Nie należy wyjmować wtyczki chłodziarki z gniazdka. W przypadku awarii zasilania, której nie można samemu naprawić, należy zastosować się do ostrzeżenia z rozdziału „Zalecane rozwiązania problemów”.
- Produkt jest przeznaczony do pracy w temperaturze nieprzekraczającej 43°C.



Przycisk nastawiania termostatu

Temperatura wewnątrz lodówki zmienia się z następujących powodów:

- Różnice temperatur w różnych porach roku,
- Częste otwieranie drzwiczek i niezamykanie ich przez dłuższy czas.
- Wkładanie do chłodziarki żywności bez uprzedniego ochłodzenia jej do temperatury pokojowej.
- Umieszczenie chłodziarki w pomieszczeniu (np. bezpośrednio oddziaływanie słońca).
- Zmieniającą się z tych powodów temperaturę we wnętrzu chłodziarki można regulować przy pomocy termostatu. Liczby wokół przycisku termostatu odpowiadają różnej intensywności chłodzenia.
- Jeśli temperatura otoczenia przekracza 32°C, należy przekręcić przycisk termostatu do pozycji maksymalnej.
- Jeśli temperatura otoczenia jest niższa od 25°C, należy przekręcić przycisk termostatu do pozycji minimalnej.

Rozmrażanie

A) Komora chłodziarki

Komora chłodzenia rozmraża się w pełni automatycznie. Gdy lodówka się chłodzi, na tylnej ścianie wewnątrz komory chłodzenia mogą wystąpić krople wody i szron grubości 7-8 mm. Jest to zupełnie normalny skutek działania systemu chłodzącego. Osady szronu rozmraża się w drodze automatycznego rozmrażania wykonywanego co pewien czas przez system automatycznego rozmrażania ściany tylnej. Użytkownicy nie muszą zadrapywać szronu ani wycierać kropli wody.

Woda z rozmrażania spływa rowkiem zbierania wody i dalej rurką ściekową do parownika, skąd sama odparowuje.

Sprawdzajcie regularnie, czy rurka ściekowa nie zatkała się, i w razie potrzeby przetykajcie ją drążkiem.

W komorze głębokiego zamrażania nie ma automatycznego rozmrażania, aby zapobiec psuciu się zamrożonej żywności.

B) Komora zamrażalnika

Dzięki specjalnemu zbiornikowi wody rozmrożonej rozmrażanie jest bardzo proste i łatwe.

Rozmrażaj dwa razy w roku, lub jeśli powstanie warstwa szronu ok. 7 mm grubości. Aby rozpocząć procedurę rozmrażania wyłącz zasilanie elektryczne gniazdka i wyjmij z niego wtyczkę chłodziarki.

Cała żywność powinna być zawinięta w kilka warstw papieru gazetowego i złożona w chłodnym miejscu (chłodni lub spiżarni).

Aby przyspieszyć rozmrażanie można do zamrażalnika ostrożnie wstawić naczynia z ciepłą wodą.

Do usuwania szronu nie używaj ostro zakończonych przedmiotów takich jak noże lub widelce.

Do rozmrażania nie używaj suszarek do włosów, grzejników elektrycznych, ani żadnych innych urządzeń elektrycznych. Użyj gąbki do usunięcia rozmrożonej wody zbierającej się

na dnie komory zamrażalnika. Po rozmrożeniu starannie wytrzyj wnętrze komory do sucha, a następnie włóż wtyczkę do gniazdka.

Zamrażanie żywności świeżej

- Przed włożeniem do chłodziarki żywność świeżą należy opakować lub przykryć.
- Przed włożeniem do chłodziarki gorące potrawy trzeba najpierw ostudzić do temperatury pokojowej.
- Żywność przeznaczona do zamrożenia musi być świeża i dobrej jakości.
- Żywność należy podzielić na porcje, stosownie do dziennych potrzeb konsumpcyjnych rodziny.
- Żywność musi być hermetycznie zapakowana, aby zapobiec jej wysychaniu, nawet jeśli ma być przechowywana przez krótki czas.
- Materiały użyte do opakowania muszą być mocne i odporne na zimno, wilgotność, zapachy, olej i kwas, a także muszą być hermetyczne. Ponadto muszą być dobrze zamknięte i zrobione z materiałów łatwych do użycia i nadających się do zastosowania przy głębokim zamrażaniu.
- Zamrożoną żywność należy spożywać bezpośrednio po rozmrożeniu i nie wolno jej ponownie zamrażać.
- Aby uzyskać najlepsze rezultaty, należy przestrzegać następujących instrukcji.
 1. Nie należy zamrażać zbyt dużych ilości żywności na raz. Jakość żywności zachowuje się najlepiej zamrażając ją na wskroś najszybciej, jak to możliwe.
 2. Umieszczenie w komorze zamrażalnika żywności ciepłej powoduje ciągłą pracę systemu chłodzącego aż do całkowitego jej zamrożenia.
 3. Należy specjalnie zadbać, aby nie mieszać żywności już zamrożonej ze świeżą.
- Przed włożeniem do chłodziarki gorące potrawy i napoje trzeba najpierw ostudzić do temperatury pokojowej.
- Maksymalną ilość przechowywanych mrozonek można osiągnąć, nie używając szuflad i pokrywy półki górnej umieszczonej w komorze zamrażania. Zużycie energii przez chłodziarkę określono przy całkowicie wypełnionej komorze zamrażania i nie używając szuflad i pokrywy półki górnej.
- W razie przerwy w zasilaniu elektrycznością nie należy otwierać drzwiczek. Nawet jeśli awaria zasilania trwa aż do upływu "Czasu podnoszenia temperatury" podanego w rozdziale "Dane techniczne chłodziarki", nie zaszkodzi to przechowywanym mrożonkom. Jeśli awaria zasilania trwa dłużej, żywność trzeba sprawdzić i w razie konieczności trzeba ją natychmiast spożyć albo zamrozić po zagotowaniu.
- Przy zakupie żywności należy zwrócić uwagę na termin przydatności do spożycia, a także maksymalny dozwolony okres oraz zalecaną temperaturę przechowywania. Jeśli termin termin przydatności do spożycia upłynął, nie jedz tego.

Zalecenia co do przechowywania mrożonek

Pakowane mrożonki ze sklepu należy przechowywać zgodnie z instrukcjami ich producentów dla ******** (4-gwiazdkowych) komór do przechowywania mrożonek.

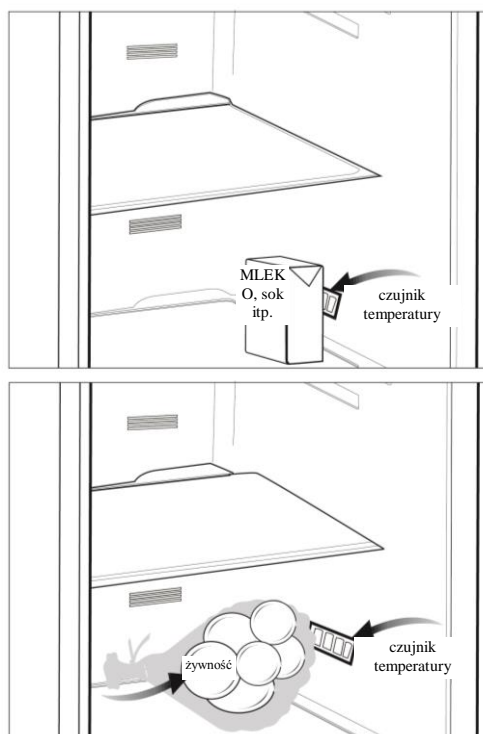
- Aby utrzymać wysoką jakość mrożonek, którą zapewnili im producenci i sprzedawcy detaliczni należy pamiętać, co następuje:

1. Paczki z mrożonkami należy wkładać do zamrażalnika możliwie szybko po ich zakupie.
2. Sprawdzić, czy paczki zaopatrzone są w etykiety oznaczające zawartość oraz datę.
3. Nie przekraczajcie terminów podanych na opakowaniu jako terminy przydatności do spożycia.

Zalecenia co do komory na żywność świeżą

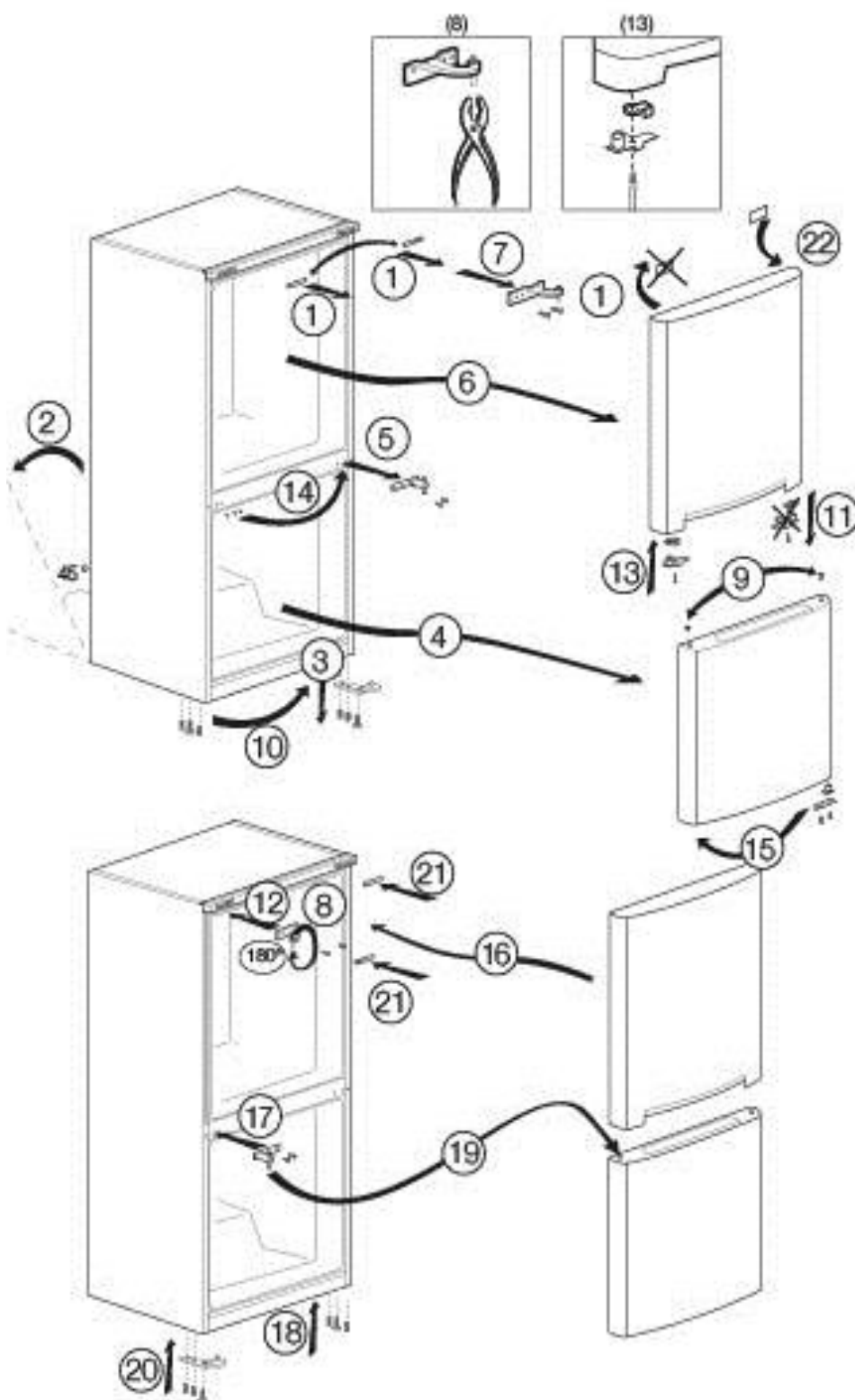
*opcja

- Nie należy dopuszczać do tego, aby żywność dotykała czujnika temperatury w komorze na żywność świeżą. Aby można było utrzymać idealną temperaturę w komorze na żywność świeżą, żywność nie może zasłaniać tego czujnika.
- Do chłodziarki nie wolno wkładać gorącej żywności.



Przekładanie drzwiczek

Postępuj w kolejności zgodnej z numeracją.



6 Konserwacja i czyszczenie

- ⚠** Do czyszczenia chłodziarki nie wolno używać benzyny, benzenu ani podobnych substancji.
- ⚠** Zaleca się wyjęcie wtyczki chłodziarki z gniazdka przed jej czyszczeniem.
- ⚠** Do czyszczenia nie wolno stosować żadnych szorstkich narzędzi, mydła, domowych środków czystości, detergentów ani wosku do polerowania.
- i** Należy umyć obudowę chłodziarki letnią wodą i wytrzeć ją do sucha.
- i** Wnętrze należy czyścić wyżętą ściereczką zamoczoną w roztworze jednej łyżeczki do herbaty sody oczyszczonej w 0,5 litra wody, a następnie wytrzeć do sucha.
- ⚠** Należy zadbać, aby do obudowy lampki i innych urządzeń elektrycznych nie dostała się woda.
- ⚠** Jeśli chłodziarka ma być nieużywana przez dłuższy okres czasu, należy ją wyłączyć i całkowicie opróżnić z żywności, oczyścić i pozostawić z uchylonymi drzwiczkami.
- i** Należy regularnie sprawdzać, czy uszczelki w drzwiczkach są czyste i nie osadzają się na nich cząstki żywności.
- ⚠** Aby wyjąć półki z drzwiczek, należy opróżnić je z zawartości, a potem po prostu nacisnąć od podstawy ku górze.
- ⚠** Do czyszczenia powierzchni zewnętrznych i chromowanych części produktu nie należy używać środków czyszczących ani wody z zawartością chloru. Chlor powoduje korozję takich powierzchni metalowych.

Jak unikać nieprzyjemnych zapachów

Do wyrobu chłodziarek nie są używane materiały powodujące nieprzyjemne zapachy.

Jednak w wyniku niewłaściwego przechowywania żywności i nieczyszczenia wnętrza chłodziarki mogą powstawać nieprzyjemne zapachy. Aby uniknąć tego problemu, zwracaj uwagę na następujące sprawy:

- Ważne jest utrzymywanie chłodziarki w czystości.
- Nieprzyjemne zapachy mogą być powodowane przez resztki żywności, plamy itd. A zatem co 15 dni czyść chłodziarkę roztworem węgla w wodzie. Nie używaj detergentów ani mydła.
- Żywność przechowuj w zamkniętych pojemnikach. Wydostające się z odkrytych pojemników mikroorganizmy mogą powodować nieprzyjemne zapachy.
 - W chłodziarce nie wolno przechowywać żywności zepsutej ani takiej, której termin przydatności do spożycia upłynął.

Zabezpieczenia powierzchni plastikowych

- i** Nie należy wkładać do chłodziarki oleju ani potraw smażonych na oleju w nieszczelnych pojemnikach, ponieważ może to uszkodzić jej plastikowe powierzchnie. W razie rozlania się lub rozsmarowania oleju na plastikowej powierzchni, od razu oczyścić i opłukać ciepłą wodą jej zabrudzoną część.

7 Usuwanie usterek

Prosimy zapoznać się z tym wykazem przed wezwaniem serwisu. Może to oszczędzić Wasz czas i pieniądze. Wykaz ten zawiera częste kłopoty, które nie wynikają z wadliwego wykonania ani zastosowania wadliwych materiałów. Niektóre z opisanych tu funkcji mogą nie występować w tym modelu urządzenia.

Chłodziarka nie działa.

- Wtyczka nie jest prawidłowo włożona do gniazdka. >>>Włóż wtyczkę do gniazdka prawidłowo.
- Zadziałał bezpiecznik gniazdka, do którego chłodziarka jest przyłączona, albo bezpiecznik główny. >>>Sprawdź bezpiecznik.

Skropliny na bocznej ścianie komory chłodzenia (MULTIZONE, COOL CONTROL oraz FLEXI ZONE).

- Bardzo zimne otoczenie. >>>Nie instaluje się chłodziarki w miejscu, gdzie temperatura spada poniżej 10°C.
- Zbyt często otwierano drzwiczki. >>>Rzadziej otwieraj i zamykaj drzwiczki chłodziarki.
- Bardzo wilgotne otoczenie. >>>Nie instaluje się chłodziarki w miejscach bardzo wilgotnych.
- Żywność o zawartości płynu przechowywana jest w otwartych pojemnikach. >>>Nie przechowuj żywności w płynie w otwartych pojemnikach.
- Drzwiczki chłodziarki pozostawiono uchylone. >>>Zamknij drzwiczki chłodziarki.
- Termostat ustawiony na bardzo niską temperaturę. >>>Nastaw termostat na odpowiednią temperaturę.

Sprężarka nie działa

- Zabezpieczenie termiczne sprężarki zadziała w trakcie nagłego zaniku zasilania lub załącza się i wyłącza, ponieważ nie wyrównało się jeszcze ciśnienie w systemie chłodzącym chłodziarki. Chłodziarka zacznie działać po ok. 6 minutach. Jeśli po upływie tego czasu chłodziarka nie zacznie działać, prosimy wezwać serwis.
- Chłodziarka jest w cyklu rozmrażania. >>>To normalne dla chłodziarki z całkowicie automatycznym rozmrażaniem. Cykl rozmrażania następuje okresowo.
- Chłodziarka nie jest włączona do gniazdka. >>>Upewnij się, że wtyczka jest włożona do gniazdka.
- Nieprawidłowo nastawiono temperaturę. >>>Wybierz odpowiednią temperaturę.
- Przerwa w zasilaniu elektrycznym. >>>Chłodziarka powróci do normalnej pracy po przywróceniu zasilania.

Gdy chłodziarka pracuje, poziom hałasu wrasta.

- Z powodu zmian temperatury otoczenia zmieniły się charakterystyki eksploatacyjne chłodziarki. Jest to stan normalny, nie awaria.

Chłodziarka pracuje często lub przez zbyt długi czas.

- Nowa chłodziarka może być szersza od poprzedniej. Większe chłodziarki działają przez dłuższy czas.
- Zbyt wysoka temperatura pokojowa. >>>To normalne, że w gorącym otoczeniu chłodziarka pracuje dłużej.
- Chłodziarka została niedawno załączona lub jest przeładowana żywnością. >>>Gdy chłodziarka została niedawno włączona do gniazdka lub naładowana żywnością, osiągnięcie nastawionej temperatury potrwa dłużej. Jest to całkiem normalne.
- Ostatnio włożono do chłodziarki znaczne ilości gorącej żywności. >>>Nie wkłada się gorącej żywności do chłodziarki.
- Zbyt często otwierano drzwiczki lub na dłużej pozostawiano je uchylone. >>>Ciepłe powietrze, które dostało się do chłodziarki, powoduje, że działa ona dłużej. Nie otwierajcie drzwiczek zbyt często.
- Pozostawiono uchylone drzwiczki komory chłodzenia lub zamrażania. >>>Sprawdź, czy drzwiczki są całkowicie zamknięte.
- Chłodziarka jest nastawiona na bardzo niską temperaturę. >>>Nastaw chłodziarkę na wyższą temperaturę i odczekaj, aż zostanie ona osiągnięta.
- Uszczelka w drzwiczkach chłodziarki lub zamrażalnika jest zabrudzona, uszkodzona, pęknięta lub nieprawidłowo włożona. >>>Oczyść lub wymień uszczelkę. Uszkodzona/pęknięta uszczelka powoduje, że lodówka pracuje przez dłuższy czas, aby utrzymać bieżącą temperaturę.

Temperatura zamrażalnika jest bardzo niska, a temperatura chłodzenia jest wystarczająca.

- Chłodziarka jest nastawiona na bardzo niską temperaturę zamrażania. >>>Nastaw chłodziarkę na wyższą temperaturę zamrażania i sprawdź.

Temperatura chłodzenia jest bardzo niska, a temperatura zamrażania jest wystarczająca.

- Chłodziarka jest nastawiona na bardzo niską temperaturę chłodzenia >>>Nastaw chłodziarkę na wyższą temperaturę chłodzenia i sprawdź.

Żywność przechowywana w szufladach komory chłodzenia zamarzała.

- Chłodziarka jest nastawiona na bardzo wysoką temperaturę chłodzenia >>>Nastaw chłodziarkę na niższą temperaturę chłodzenia i sprawdź.

Bardzo wysoka temperatura w chłodziarce lub zamrażalniku.

- Chłodziarka jest nastawiona na bardzo wysoką temperaturę chłodzenia. >>>Nastawienia komory chłodzenia wpływają na temperaturę w zamrażalniku. Zmień temperaturę zamrażalnika lub chłodziarki i odczekaj, aż temperatura w odnośnej komorze osiągnie odpowiedni poziom.
- Zbyt często otwierano drzwiczki lub na dłużej pozostawiano je uchylone. >>>Nie otwieraj drzwiczek zbyt często.
- Pozostawiono uchylone drzwiczki. >>>Szczelnie zamknij drzwiczki..
- Chłodziarkę załączono lub załadowano niedawno żywnością. >>>Jest to całkiem normalne. Gdy chłodziarka została niedawno włączona do gniazdka lub naładowana żywnością, osiągnięcie nastawionej temperatury potrwa dłużej.
- Ostatnio włożono do chłodziarki znaczne ilości gorącej żywności. >>>Nie wkłada się gorącej żywności do chłodziarki.

Drgania lub hałas.
<ul style="list-style-type: none"> • Podłoga nie jest równa lub dość stabilna. >>> Jeśli chłodziarka kołysze się przy powolnym poruszeniu, wyrównaj jej położenie, odpowiednio nastawiając nóżki. Sprawdź także, czy podłoga jest równa i wytrzymuje ciężar chłodziarki. • Przedmioty postawione na chłodziarce mogą powodować hałas. >>>Zdejmij wszystko z chłodziarki.
Z chłodziarki dochodzą odgłosy przelewania się i syczenia płynu.
<ul style="list-style-type: none"> • Zgodnie z zasadą funkcjonowania chłodziarki następują przepływy płynu lub gazu. Jest to stan normalny, nie awaria.
Z chłodziarki dochodzi świst.
<ul style="list-style-type: none"> • Do ochłodzenia chłodziarki użyto wentylatorów. Jest to stan normalny, nie awaria.
Skropliny na wewnętrznych ściankach chłodziarki.
<ul style="list-style-type: none"> • Ciepła i wilgotna pogoda sprzyja oblodzeniu i skraplaniu. Jest to stan normalny, nie awaria. • Zbyt często otwierano drzwiczki lub na dłużej pozostawiano je uchylone. >>>Nie otwieraj drzwiczek zbyt często. Jeśli są otwarte, zamknij je. • Pozostawiono uchylone drzwiczki. >>>Szczelnie zamknij drzwiczki..
Na zewnątrz chłodziarki, lub pomiędzy drzwiczkami pojawia się wilgoć.
<ul style="list-style-type: none"> • Być może w powietrzu jest wilgoć; to całkiem normalne przy wilgotnej pogodzie. Gdy wilgoć w powietrzu ustąpi, skropliny znikną.
Nieprzyjemna woń wewnątrz chłodziarki.
<ul style="list-style-type: none"> • Nie wykonuje się regularnego czyszczenia. >>>Regularnie czyść wnętrze chłodziarki gąbką namoczoną w ciepłej wodzie lub roztworze sody oczyszczonej. • Nieprzyjemny zapach powodują jakieś pojemniki lub materiały opakowaniowe. >>>Używaj innych pojemników lub materiałów opakowaniowych innej marki. • Do chłodziarki wstawiono żywność w niezamkniętych pojemnikach. >>>Żywność przechowuje się w zamkniętych pojemnikach. Wydostające się z odkrytych pojemników mikroorganizmy mogą powodować nieprzyjemne zapachy. • Wyjmuj z chłodziarki produkty, które przekroczyły termin przydatności do spożycia.
Nie można zamknąć drzwiczek.
<ul style="list-style-type: none"> • Opakowania z żywnością uniemożliwiają zamknięcie drzwiczek. >>>Przełóż na inne miejsce żywność, która przeszkadza w zamknięciu drzwiczek. • Chłodziarka nie stoi całkiem równo na podłodze. >>>Nastaw nóżki chłodziarki, aby wyrównać jej położenie. • Podłoga nie jest równa lub dość wytrzymała. >>>Sprawdź, czy podłoga jest równa i wytrzymuje ciężar chłodziarki.
Szuflady do przechowywania świeżych warzyw się zablokowały.
<ul style="list-style-type: none"> • Żywność dotyka sufitu szuflady. >>>Zmień ułożenie żywności w szufladzie.

Prosím, čtěte nejprve tento návod.

Vážený zákazníku,

Doufáme, že výrobek, který byl vyroben v moderních závodech a kontrolován v souladu s nejpřísnějšími postupy kontroly kvality, vám zajistí účinný provoz.

Proto si přečtěte celý návod k použití pečlivě, ještě než produkt použijete a uchovejte ho pro budoucí použití. Pokud produkt předáte další osobě, rovněž jí předejte návod k použití.

Návod k použití vám pomůže použít produkt rychle a bezpečně.

- Návod si přečtěte dříve, než produkt nainstalujete a zapnete.
- Ujistěte se, že jste si přečetli bezpečnostní pokyny.
- Návod uschovejte na snadno přístupném místě, možná jej budete později potřebovat.
- Přečtěte si i další dokumenty dodané s výrobkem.

Nezapomeňte, že tento návod se může vztahovat i k několika jiným modelům. Rozdíly mezi modely jsou v návodu výslovně uvedeny.

Vysvětlení symbolů

V celém návodu k použití jsou použity následující symboly:

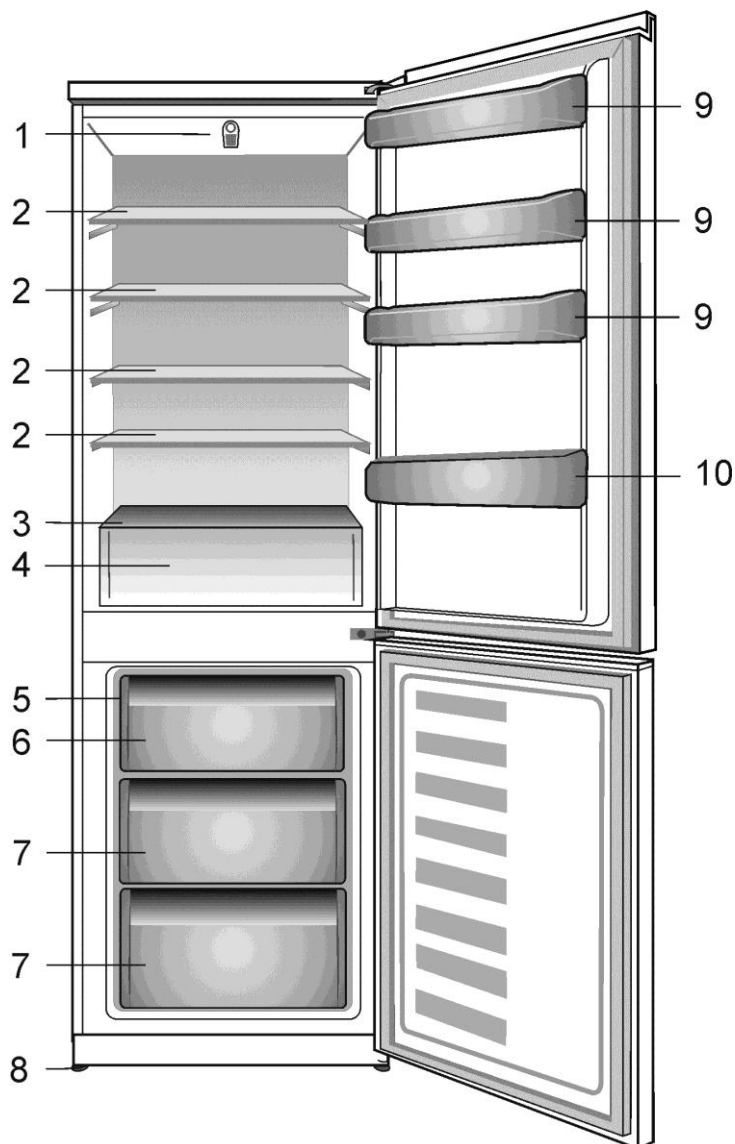
 Důležité informace nebo užitečné tipy.

 Varování před nebezpečnými situacemi pro život a majetek.

 Varování proti elektrickému napětí.

1 Vaše chladnička	3	4 Příprava	11
2 Důležitá bezpečnostní upozornění	4	5 Použití chladničky	12
Zamýšlené použití	4	Tlačítko nastavení termostatu	12
Obecná bezpečnost	4	Rozmrazování	13
Produkty s dávkovačem vody	4	Mražení čerstvých potravin	14
Bezpečnost dětí	6	Doporučení pro uschování mražených potravin	15
Dodržování směrnice WEEE o likvidaci odpadů	6	Doporučení pro oddělení s čerstvými potravinami	15
Informace na obalu	7	Změna směru otevírání dveří	16
Varování HCA	7	6 Údržba a čištění	17
Věci, které je třeba udělat pro úsporu energie	7	Předejití vzniku špatného zápachu	17
3 Instalace	8	Ochrana plastových ploch	17
Body, kterým je třeba věnovat pozornost při přemístění chladničky	8	7 Odstraňování problémů	18
Než chladničku spustíte	8		
Elektrické zapojení	9		
Likvidace obalu	9		
Likvidace vaší staré chladničky	9		
Umístění a instalace	9		
Výměna žárovky	9		
Nastavení nožiček	9		

1 Vaše chladnička



- | | |
|---|------------------------------|
| 1. Kolečko nastavení a vnitřní osvětlení | 8. Nastavitelné přední nožky |
| 2. Nastavitelné poličky | 9. Poličky na nádoby |
| 3. Skleněný kryt | 10. Poličky na lahve |
| 4. Prostor pro čerstvé potraviny | |
| 5. Podpěra zásobníku na led a zásobník na led | |
| 6. Příslušenství pro rychlé zmrazování potravin | |
| 7. Prostory pro skladování zmražených potravin | |

*** Volitelný**

i Obrázky uvedené v tomto návodu k použití jsou schematické a nemusí přesně odpovídat vašemu produktu. Pokud zobrazené části nejsou obsaženy v produktu, který jste zakoupili, jde o součásti jiných modelů.

2 Důležitá bezpečnostní upozornění

Prostudujte si následující informace, prosím. Nedodržení těchto informací může vést ke zraněním nebo škodám na majetku.

Jinak neplatí záruka ani jiné závazky.

Životnost vašeho produktu je 10 let. Během tohoto období budou k dispozici originální náhradní díly, aby se zajistil správný provoz produktu.

Určené použití

Tento produkt je určen pro použití uvnitř a v uzavřených oblastech, např. domech;

- v uzavřených pracovních prostředích, jako jsou obchody a kanceláře;
- v uzavřených obytných oblastech, jako jsou farmy, hotely, penziony.
- Spotřebič se nesmí používat venku.

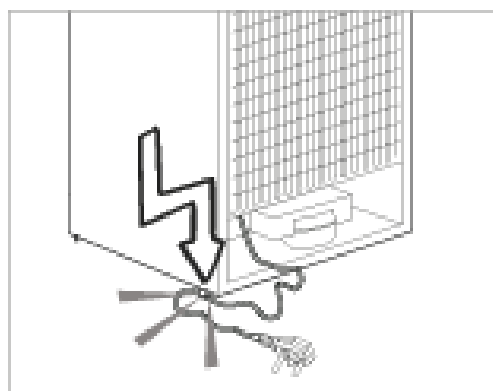
Obecná bezpečnost

- V případě, že produkt chcete zlikvidovat/sešrotovat, doporučujeme kontaktovat autorizovaný servis a orgány, kde zjistíte nezbytné informace.
- Veškeré otázky a problémy související s chladničkou vám pomůže vyřešit autorizovaný servis. Do chladničky nezasahujte a nikomu to nedovolte, aniž byste vyrozuměli autorizovaný servis.
- U produktů s prostorem mrazničky; Nejezte zmrzlinu a kostky ledu bezprostředně poté, co je vyjmete z prostoru mrazničky! (Může dojít k omrznutí úst.)

- U produktů s prostorem mrazničky; Nevkládejte do prostoru mrazničky nápoje v lahvích a plechovkách. V opačném případě by mohly explodovat.
- Nedotýkejte se mražených potravin rukou; mohou se vám k ní přilepit.
- Než chladničku vyčistíte nebo odmrazíte, odpojte ji.
- Při čištění a odmrazování chladničky nikdy nepoužívejte parní čističe a čisticí materiály. V takových případech by se totiž výpary mohly dostat do styku s elektrickými součástmi a způsobit zkrat či zásah elektrickým proudem.
- Nikdy nepoužívejte součásti na chladničce, např. dveře, jako podpěru nebo schůdek.
- Uvnitř chladničky nepoužívejte elektrické spotřebiče.
- Části, v kterých obíhá chladicí látka, nepoškozujte vrtáním nebo řezáním. Chladicí látka by mohla v místech narušení plynových kanálů výparníku, prodlouženích trubek nebo povrchových vrstev vytéct a způsobit podráždění kůže a zranění očí.
- Žádným materiálem nezakrývejte a neblokujte větrací otvory na chladničce.
- Elektrické spotřebiče musí být opraveny pouze oprávněnými osobami. Opravy provedené nekompetentními osobami mohou vést k ohrožení uživatele.

- V případě selhání nebo během údržby či oprav odpojte napájení chladničky buď vypnutím příslušné pojistky nebo odpojením spotřebiče ze sítě.
- Když odpojíte zástrčku, netahejte za kabel.
- Nápoje vkládejte vertikálně a pevně zavřené.
- V chladničce nikdy neskladujte nádoby s hořlavými spreji a výbušnými látkami.
- Nepoužívejte mechanické nástroje nebo jiné prostředky k urychlení procesu odmrazení s výjimkou těch, které doporučuje výrobce.
- Tento produkt by neměly používat osoby s tělesnými, smyslovými nebo duševními poruchami či nezkušené nebo nepoučené osoby (včetně dětí), pokud jsou bez dohledu osoby, která bude odpovídat za jejich bezpečnost nebo která jim poskytne náležité školení k používání výrobku
- Poškozenou chladničku nepoužívejte. V případě jakýchkoli pochybností kontaktujte zástupce servisu.
- Elektrická bezpečnost chladničky je zaručena pouze tehdy, pokud systém uzemnění ve vašem domě splňuje patřičné normy.
- Vystavení výrobku dešti, sněhu, slunci a větru je nebezpečné z hlediska elektrické bezpečnosti.
- Pokud dojde k poškození napájecího kabelu, kontaktujte autorizovaný servis.
- Během instalace nikdy nezapojíte chladničku do zásuvky. Jinak může dojít k ohrožení zdraví s následkem smrti.

- Tato chladnička je určena pouze ke skladování potravin. Nesmí být používána k žádnému jinému účelu.
- Štítek s technickými údaji se nachází na levé stěně uvnitř chladničky.
- Chladničku nikdy nezapojujte do systémů pro úsporu elektřiny; mohly by chladničku poškodit.
- Je-li na chladničce rozsvícené modré světlo, nedívejte se do něj optickými nástroji.
- V případě chladniček s manuálním ovládním počkejte minimálně 5 minut než chladničku po výpadku napájení znovu spustíte.
- V případě, že je produkt předán novému majiteli, musí být předán i s tímto návodem.
- Při přepravě chladničky nepoškodte napájecí kabel. Ohnutím kabelu může dojít k požáru. Na napájecí kabel nikdy nedávejte těžké předměty.
- Při zapojování produktu se zástrčky nedotýkejte mokřými rukama.



- Je-li nástěnná zásuvka volná, chladničku nezapojujte.
- Z bezpečnostních důvodů nestříkejte na vnitřní nebo vnější části produktu vodu.

- Do blízkosti chladničky nestříkejte látky s hořlavými plyny, jako je propan, aby nedošlo k požáru a výbuchu.
- Na horní stranu chladničky nikdy nestavte nádoby naplněné vodou, jinak by mohlo dojít k zásahu elektrickým proudem nebo k požáru.
- Chladničku nepřepĺňujte velkým množstvím potravin. Při přepĺnění mohou potraviny spadnout dolů a poranit vás a poškodit chladničku při otevření dveří.
- Na horní stranu chladničky nic nestavte; tyto předměty by jinak mohly při otevření nebo zavření dveří chladničky spadnout.
- Vzhledem k tomu, že vakcíny, léky citlivé na teplo a vědecké materiály atd. vyžadují přesnou teplotu, nesmí být v této chladničce skladovány.
- Pokud chladničku nebudete delší dobu používat, musíte ji odpojit. Možný problém napájecího kabelu by mohl způsobit požár.
- Konec zástrčky musíte pravidelně čistit suchým hadříkem; v opačném případě by mohlo dojít k požáru.
- Nejsou-li nastavitelné nožičky správně upevněny k podlaze, chladnička se může pohybovat. Pohybu chladničky předejdete správným zajištěním nastavitelných nožiček k podlaze.
- Chladničku při přenášení nadržte za rukojeť dveří. V opačném případě by se mohla odpojit.
- Když musíte svůj produkt umístit vedle jiné chladničky nebo mrazničky, vzdálenost mezi nimi musí být nejméně 8 cm. V opačném případě by mohlo dojít k provlhnutí sousedících stěn.

U výrobků s dávkovačem vody;

Tlak vody musí být minimálně 1 bar. Tlak vody musí být maximálně 8 bar.


- Používejte pouze pitnou vodu.

Bezpečnost dětí

- Mají-li dveře zámek, klíč musí být uschován mimo dosah dětí.
- Na děti je třeba dávat pozor, aby do produktu nezasahovaly.

Dodržování směrnice WEEE o likvidaci odpadů



Symbol  na produktu či obalu označuje, že tento výrobek nelze zpracovat jako domovní odpad. Předejte jej na příslušné sběrné místo k recyklaci elektrického a elektronického zařízení. Zajištěním správné likvidace produktu, pomůžete zabránit případným negativním dopadům na životní prostředí a lidské zdraví, které by způsobilo nesprávné zpracování tohoto výrobku. Podrobnější informace o recyklaci tohoto výrobku vám poskytne místní radnice, služba odvozu domovního odpadu nebo obchod, kde jste výrobek zakoupili.

Informace o balení

Balící materiály produktu jsou vyrobeny z recyklovatelných materiálů v souladu s našimi národními směrnicemi na ochranu životního prostředí. Balící materiály nevyhazujte do domácího nebo jiného odpadu. Odveďte je na sběrné místo balícího materiálu, které má pověření místních orgánů.

Nezapomeňte...

Recyklování je nezbytnou věcí pro přírodu a naše národní bohatství.

Chcete-li přispět k opakovanému zhodnocení balících materiálů, můžete se obrátit na organizace na ochranu životního prostředí nebo městské úřady v místě vašeho bydliště

Varování HCA

Pokud chladicí systém vašeho výrobku obsahuje R600a:

Tento plyn je hořlavý. Dávejte tedy pozor, abyste nepoškodili systém chlazení a potrubí během použití a přepravy. V případě poškození udržujte výrobek mimo potenciální zdroje hoření, které mohou způsobit vznícení výrobku, a vyvětrejte místnost, v níž je přístroj umístěn.

Typ plynu použitý v produktu je uveden na typovém štítku na levé stěně uvnitř chladničky.

Produkt nikdy nevhazujte do ohně.

Co udělat pro úsporu energie

- Dveře chladničky nenechávejte dlouho otevřené.
- Do chladničky nevkládejte horké potraviny nebo nápoje.
- Chladničku nepřepněte a nebraňte tak oběhu vzduchu uvnitř.
- Chladničku neinstalujte na přímé sluneční světlo nebo do blízkosti spotřebičů vyzařujících teplo, např. trub, myček nádobí nebo radiátorů. Chladničku nainstalujte minimálně 30 cm od zdrojů vyzařujících teplo a minimálně 5 cm od elektrických trub.
- Dbejte na to, abyste potraviny skladovali v uzavřených nádobách.
- Do prostoru mrazničky v chladničce můžete dát maximální množství potravin když vyjmete zásuvky, které jsou součástí mrazničky. Deklarovaná hodnota spotřeby energie chladničky byla stanovena s vyjmutými zásuvkami v prostoru mrazničky. Neexistuje žádné nebezpečí při použití poličky nebo zásuvky vhodné pro tvary a velikost potravin, které mají být zmrazené.
- Rozmrazování zmražených potravin v prostoru chladničky přinese jak úsporu energie, tak zachová kvalitu potravin.

i Vnitřek chladničky je třeba důkladně vyčistit.

3 Instalace

⚠ V případě, že není postupováno v souladu s informacemi uvedenými v návodu k použití, výrobce nepřebírá žádnou zodpovědnost.

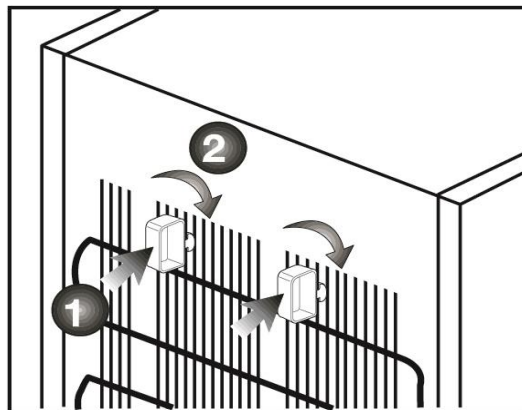
Body, kterým je třeba věnovat pozornost při přemístění chladničky

1. Vaše chladnička musí být odpojena. Než chladničku začnete přepravovat, musí být vyprázdněna a vyčištěna.
2. Než ji znovu zabalíte, poličky, příslušenství, zásuvky, atd. uvnitř chladničky musí být zajištěny lepící páskou a zajištěny proti nárazům. Balení musí být zajištěno tenkou páskou nebo lany a musí být dodržena pravidla pro přepravu uvedená na obalu.
3. Původní obaly a pěnové materiály uschovejte pro budoucí přepravu či přesun.

Než chladničku spustíte

Než začnete chladničku používat, zkontrolujte následující:

1. Připevněte 2 plastové klínky, jak je zobrazeno níže. Plastové klínky mají zajistit vzdálenost nutnou pro cirkulaci vzduchu mezi vaší chladničkou a stěnou. (Obrázek je zamýšlen jako ukázka a není identický s vaším produktem.)



2. Vyčistěte vnitřek chladničky podle kapitoly „Údržba a čištění“.
3. Zasuňte zástrčku chladničky do nástěnné zásuvky. Po otevření dvířek chladničky se rozsvítí vnitřní osvětlení.
4. Když se spustí kompresor, ozve se zvuk. Kapalina a plyn v chladicí soustavě mohou také vydávat zvuky, i když kompresor neběží, což je poměrně normální.
5. Přední kraje chladničky mohou být teplé. To je normální. Tyto oblasti mají být teplé, aby nedocházelo ke kondenzaci.

Elektrické zapojení

Produkt připojte k uzemněné zásuvce, která je chráněna pojistkou vhodné kapacity.

Důležité:

Zapojení musí být v souladu s národními předpisy.

- Napájecí kabel musí být po instalaci snadno dostupný.
- Elektrická bezpečnost chladničky je zaručena pouze tehdy, pokud systém uzemnění ve vašem domě splňuje patřičné normy.
- Napětí uvedené na štítku umístěném na levé vnitřní straně produktu musí odpovídat napětí vaší sítě.
- **K připojení nepoužívejte prodlužovací kabely a vícecestné zásuvky.**

⚠ Poškozený napájecí kabel musí vyměnit kvalifikovaný elektrikář.

⚠ Dokud není produkt opraven, nesmíte ho používat! Hrozí nebezpečí úrazu elektrickým proudem!

Likvidace obalu

Balící materiály mohou být pro děti nebezpečné. Udržujte materiály mimo dosah dětí nebo je zlikvidujte v souladu s pokyny zpracování odpadů. Nevyhazujte s běžným domácím odpadem, vyhodte na místa pro sběrný odpad označená místními úřady.

Balení chladničky je z recyklovatelných materiálů.

Likvidace vaší staré chladničky

Starou chladničku zlikvidujte tak, abyste neohrozili životní prostředí.

- Informace o likvidaci chladničky získáte u autorizovaného prodejce nebo odpadového odboru vašeho města.

Před likvidací vaší chladničky odřízněte zástrčku a v případě, že jsou na dveřích zámky, zneškodněte je, aby nedošlo k ohrožení dětí.

Umístění a instalace

⚠ Pokud nejsou vstupní dveře do místnosti, v níž chladničku nainstalujete, dostatečně široké, aby chladnička prošla, kontaktujte autorizovaný servis a požádejte je o sejmutí dveří chladničky a protáhněte ji bokem.

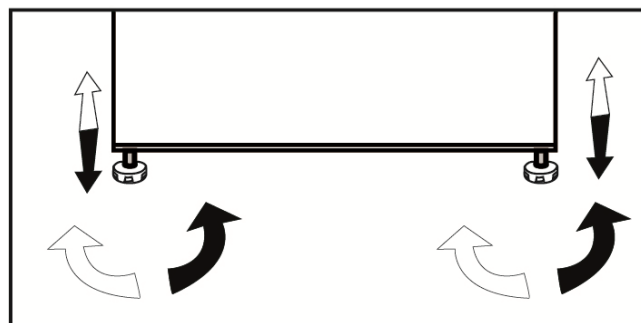
1. Chladničku umístěte na místo, které umožňuje snadnou obsluhu.
2. Chladničku umístěte mimo zdroje tepla, vlhka a přímé světlo.
3. Kolem chladničky musí být dostatečný prostor pro ventilaci, aby se zajistila účinnost provozu. Pokud máte chladničku umístit do výklenku, musí být nejméně 5 cm od stropu a 5 cm od stěn. Neumísťujte přístroj na materiály, jako je koberec nebo běhoun.
4. Umístěte chladničku na rovnou podlahu, aby nedocházelo ke kymácení.

Výměna žárovky

Při výměně žárovky/LED použité k osvětlení vaší chladničky kontaktujte autorizovaný servis.

Nastavení nožiček

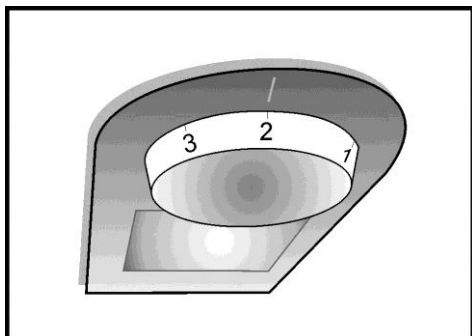
Je-li vaše chladnička nevyrovnaná; Chladničku vyrovnáte tak, že přední nožičky otočíte tak, jak je znázorněno na obrázku. Roh, kde jsou umístěny nožky, se sníží, když otáčíte ve směru černé šipky, zvedne se, když otáčíte opačným směrem. Pokud vám někdo pomůže nadzvednout chladničku, proces se usnadní.



4 Příprava

- Chladničku instalujte nejméně 30 cm od zdrojů tepla, jako jsou varné desky, trouby, ústřední topení a sporáky a nejméně 5 cm od elektrických trub, neumísťujte ji na přímé sluneční světlo.
- Zajistěte, aby byl vnitřek vaší chladničky důkladně vyčištěn.
- Pokud vedle sebe instalujete dvě chladničky, měl by mezi nimi být rozstup nejméně 2 cm.
- Při prvním spuštění chladničky dodržujte během prvních šesti hodin následující pokyny.
- Dveře nesmí být často otevírány.
- Musí být spuštěná prázdná, bez jakýchkoli potravin.
- Chladničku neodpojujte. Pokud dojde k výpadku energie, prostudujte si varování v kapitole „Doporučená řešení problémů“.
- Tento produkt byl navržen k provozu při okolní teplotě až 43 °C (110 °F).

5 Použití chladničky



Tlačítko nastavení termostatu

Vnitřní teplota chladničky se mění z následujících důvodů;

- Sezónní teploty,
- Časté otevírání dveří a nechávání dveří dlouho otevřených,
- Vložené jídlo do chladničky bez ochlazení na pokojovou teplotu,
- Umístění chladničky v místnosti (např. vystavení slunečnímu světlu).
- Můžete nastavit proměnlivou teplotu vnitřní části s ohledem na takové důvody prostřednictvím použití termostatu.

Provozní teploty ovládá tlačítko termostatu a lze jej nastavit na jakoukoli pozici mezi 0 a 5 (nejchladnější pozice). Průměrná teplota uvnitř chladničky by měla být zhruba $+5^{\circ}\text{C}$ ($+41^{\circ}\text{F}$).

Nastavte tedy termostat tak, abyste dosáhli požadované teploty. Některé části chladničky mohou být chladnější či teplejší (např. přihrádka na uchovávání čerstvého salátu a horní část chladničky), což je naprosto normální. Doporučujeme vám kontrolovat teplotu pravidelně teploměrem, abyste měli jistotu, že chladnička stále zachovává tuto teplotu. Častým otevíráním dveří stoupnou vnitřní teploty, takže doporučujeme zavírat dvířka co nejdříve po použití.

Odmrazování

A) Prostor chladničky

V prostoru chladničky dochází k plně automatickému odmrazení. Kapky vody a námraza do síly 7-8 mm se mohou objevit na zadní stěně chladničky, když se chladnička ochlazuje. Tyto jevy jsou normálním důsledkem systému chlazení.

Námraza

se uvolní automaticky v určitých intervalech díky systému automatického odmrazování na zadní stěně. Uživatel nemusí odškrabávat námrazu nebo stírat kapky vody. Voda po odmrazení stéká do drážky pro sběr vody a teče do výparníku odvodňovací trubicí, kde se sama vypařuje.

Pravidelně kontrolujte průchodnost odvodňovací trubice a podle potřeby ji čistěte. Prostor mrazničky se automaticky neodmrazuje, aby nedošlo ke snížení kvality zmražených potravin

B) Prostor mrazničky

Odmrazování je velmi jednoduché a bez nečistot díky zvláštní nádržce pro sběr odmražené vody.

Odmrazujte dvakrát ročně nebo tehdy, když se utvoří vrstva námrazy asi 7 (1/4") mm. Pro spuštění procesu odmrazování vypněte přístroj ze sítě.

Všechny potraviny zabalte do několika vrstev novinového papíru a uskladněte na chladném místě (např. chladnička nebo spíž).

Do mrazničky lze umístit nádoby s teplou vodou,

odmrazování se tím urychlí.

Námrazu neodstraňujte špičatými nebo ostrými předměty, jako jsou nože nebo vidličky.

Nepoužívejte sušiče na vlasy, elektrické radiátory nebo jiné elektrické spotřebiče na odmražení.


Odmraženou vodu setřete houbičkou ze dna prostoru mrazničky. Po odmražení vnitřek pečlivě vysušte. Zástrčku zasuňte do zásuvky a zapněte přívod napájení.

Mražení čerstvých potravin

- Než potraviny umístíte do chladničky, musíte je zabalit nebo zakrýt.
- Než horké potraviny vložíte do chladničky, musíte je zchladit na pokojovou teplotu.
- Potraviny, které chcete zmrazit, musí být čerstvé a kvalitní.
- Potraviny je nutno rozdělit na části podle potřeb rodiny na den či jednotlivé jídlo.
- Potraviny je nutno vzduchotěsně zabalit, aby nevyschly, a to i tehdy, chcete-li je skladovat krátkodobě.
- Materiály, které použijete na balení, musejí být pevné a odolné vůči chladu, vlhkosti, zápachu, oleji a kyselinám, měly by být i vzduchotěsné. Navíc musí být uzavřené a vyrobené z materiálů, které se snadno používají a jsou vhodné pro hloubkové mražení.
- Mražené potraviny je nutno použít rychle poté, co rozmrznou, nikdy se nesmí znovu zmrazit.
- Abyste dosáhli těch nejlepších výsledků, dodržte následující pokyny, prosím.
 1. Nezmrazujte příliš velké množství najednou. Množství potravin se nejlépe uchovává, pokud se zmrazí hloubkově a co nejrychleji.
 2. Umístěním teplých potravin do mrazničky uvedete chladicí kompresor do nepřetržitého chodu, dokud nejsou potraviny zcela zmrzlé.
 3. Dávejte zvýšený pozor, abyste nesmísili již zmrzlé a čerstvé potraviny.

- Horké potraviny je nutno zchladit na pokojovou teplotu, než je vložíte do chladničky.
- Maximálního objemu skladovaných mražených potravin se dosáhne bez použití zásuvek a krytu horní police, který je součástí prostoru mrazničky. Spotřeba energie vašeho spotřebiče je uváděna za situace, kdy je prostor mrazničky plně naplněn bez použití přihrádek a krytu horní police.
- Dojde-li k výpadku elektrické energie, dveře mrazničky neotvírejte. I když výpadek energie trvá déle než "Čas zvýšení teploty" uvedený v oddíle "Technické parametry vaší chladničky", zmrazeného jídla se to nedotkne. V případě, že výpadek trvá déle, je nutno potraviny zkontrolovat a podle potřeby spotřebovat okamžitě, případně zmrazit po uvaření.
- Při nákupu potravin věnujte pozornost datu expirace, maximální době skladování a doporučené teplotě skladování potravin. Pokud datum expirace uplynulo, potraviny nekonzumujte.

Doporučení pro uschování mražených potravin

Balené mražené potraviny uskladněte v souladu s pokyny výrobce mražených potravin pro  (4hvězdičkový) prostor pro mražené potraviny.

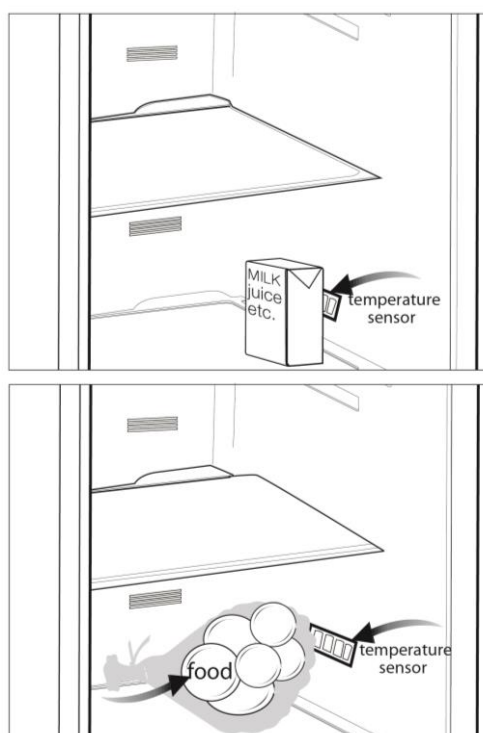
• Pro zajištění vysoké kvality podle výrobce a prodejce mražených potravin nezapomeňte dodržovat následující body:

1. Balení vkládejte do mrazničky co nejrychleji po zakoupení.
2. Ověřte, zda je na obsahu uvedeno označení a datum.
3. Nepřekračujte data spotřeby na obalu.

Doporučení pro oddělení s čerstvými potravinami

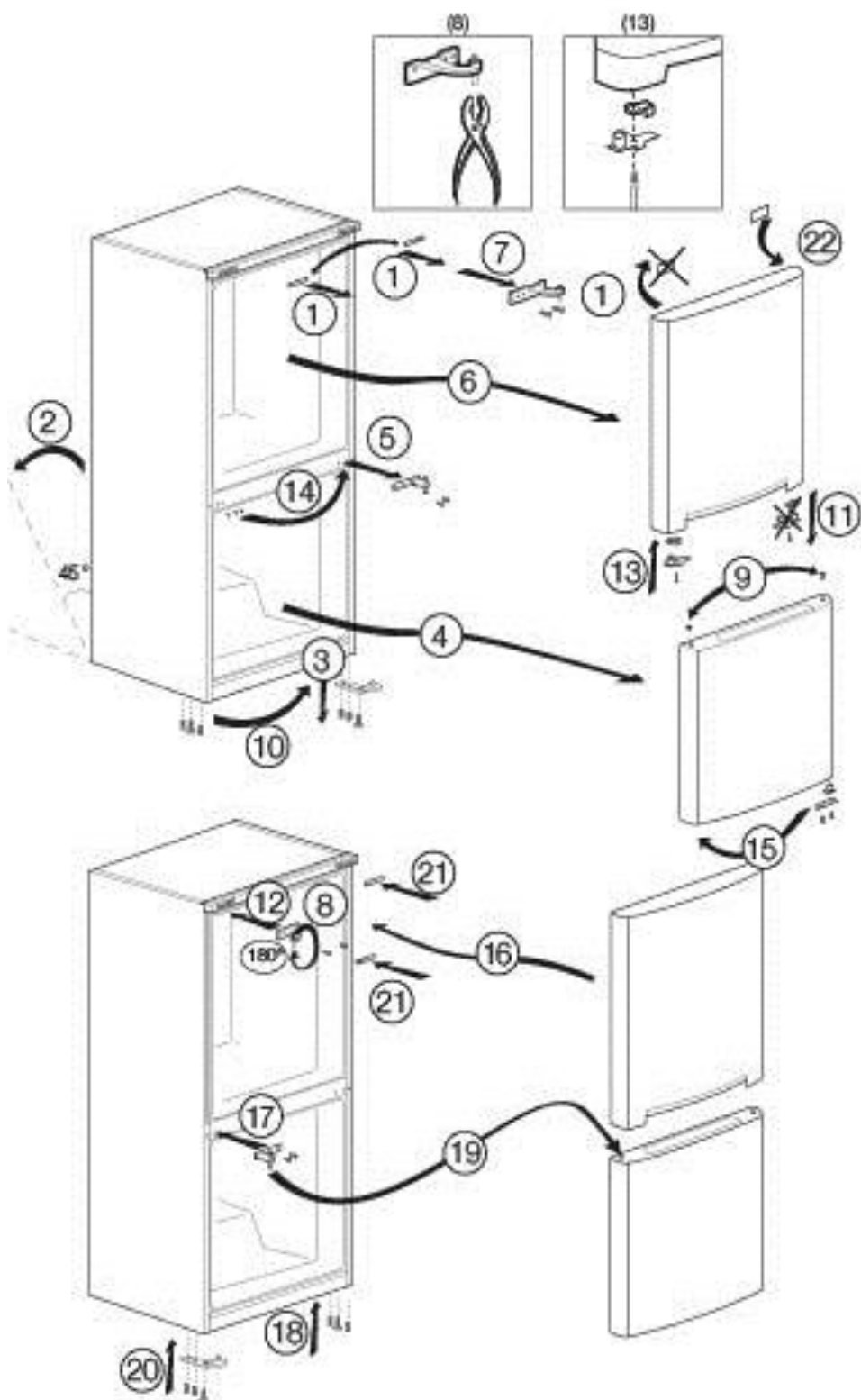
*volitelné

- Nedovolte, aby se potraviny dotýkaly tepelného snímače v oddělení na čerstvé potraviny. Aby si tento prostor uchoval svoji ideální teplotu, snímač nesmí být zakrytý potravinami.
- Do produktu nevkládejte horká jídla



Změna dvířek

Postupujte podle pořadí



- ⚠ K čištění nikdy nepoužívejte benzín, technický benzín nebo podobné materiály.
- ⚠ Doporučujeme, abyste předtím, než začnete s čištěním chladničky, spotřebič odpojili.
- ⚠ Při čištění nikdy nepoužívejte ostré brusné nástroje, mýdlo, přípravek k čištění domácnosti, odmašťovač a voskové leštidlo.
- ℹ Skříň chladničky vyčistěte vlažnou vodou, poté ji vytřete dosucha.
- ℹ K čištění vnitřní části použijte hadřík namočený do roztoku půl litru vody a jedné lžičky jedlé sody, potom ji vytřete dosucha.
- ⚠ Zajistěte, aby se do krytu světla a jiných elektrických prvků nedostala voda.
- ⚠ Pokud nebudete chladničku delší dobu používat, odpojte napájecí kabel, vyjměte všechny potraviny, vyčistěte ji a nechte pootevřené dveře.
- ℹ Pravidelně kontrolujte těsnění dveří, abyste zajistili, že je čisté a bez zbytků potravin.
- ⚠ Chcete-li vyjmout police ve dveřích, vyndejte z nich veškerý obsah a police jednoduše nazdvihněte.
- ⚠ K čištění vnějších povrchů a chrómem potažených součástí produktu nikdy nepoužívejte čisticí prostředky nebo vodu s obsahem chlóru. Chlór způsobuje korozi kovových povrchů.

Předejití vzniku špatného zápachu

Materiály, které mohou způsobit zápach, se při výrobě našich chladniček nepoužívají.

Nicméně následkem nevhodných skladovacích podmínek potravin a nečištění vnitřního povrchu ledničky podle požadavků může nastat problém se zápachem. Abyste tomuto problému předešli, věnujte pozornost následujícímu:

- Udržování chladničky v čistotě je důležité.
- Zápach mohou způsobit zbytky jídla, skvrny, atd. Proto chladničku čistěte každých 15 dnů. Nikdy nepoužívejte čisticí prostředky nebo mýdlo.
- Potraviny skladujte v uzavřených nádobách.
- Mikroorganismy množící se z neuzavřených nádob mohou způsobit nepříjemné zápachy.
- V chladničce nikdy neskladujte potraviny jejichž použitelnost vypršela.

Ochrana plastových ploch

ℹ Do chladničky nevkládejte tekuté oleje nebo pokrmy s obsahem tuků v neuzavřených nádobách, neboť poškodí plastové plochy v chladničce. V případě rozlití nebo rozetření oleje na plastové ploše vyčistěte a opláchněte příslušnou část plochy teplou vodou.

7 Řešení problémů

Než zavoláte do servisu, projděte si tento seznam. Možná vám ušetří čas a peníze. Tento seznam obsahuje časté stížnosti, které nejsou způsobeny vadným zpracováním či použitými materiály. Některé zde uvedené funkce nemusejí být přítomny na vašem výrobku.

Chladnička nefunguje.

- Zástrčka není do zásuvky zapojena správně. >>>Zástrčku zapojte bezpečně do zásuvky.
- Došlo k vypálení pojistky zásuvky, do které je chladnička zapojena nebo k vypálení hlavní pojistky. >>>Zkontrolujte pojistku.

Kondenzace na boční stěně prostoru chladničky (MULTIZONE, COOL CONTROL a FLEXI ZONE).

- Velmi chladné okolí. >>>Chladničku neinstalujte na místa, na kterých teplota klesá pod 10 °C.
- Dveře se často otevírají. >>>Dveře chladničky často neotvírejte a nezavírejte.
- Okolí je velmi vlhké. >>>Chladničku neinstalujte na vlhká místa
- Potraviny s obsahem kapaliny jsou skladovány v otevřených nádobách.
>>>Potraviny s vysokým obsahem kapaliny neskladujte v otevřených nádobách.
- Dveře chladničky zůstaly pootevřené. >>>Dveře chladničky zavřete.
- Termostat je nastavený na velmi nízkou úroveň. >>>Termostat nastavte na vhodnou úroveň.

Kompresor není spuštěný

- Tepelná pojistka kompresoru se zapne během náhlého výpadku energie nebo odpojení a zapojení, protože tlak chladicího média v chladicí soustavě chladničky nebyl dosud vyvážen. Vaše chladnička začne fungovat asi po 6 minutách. Kontaktujte servis, pokud se chladnička nespustí ani po této době.
- Chladnička je v režimu odmrazování. >>>To je v případě chladničky s plně automatickým odmrazováním zcela normální. Cyklus odmražení probíhá pravidelně.
- Chladnička není zapojena do zásuvky. >>>Zkontrolujte, zda je zástrčka do zásuvky zapojena.
- Nastavení teploty není provedeno správně. >>>Vyberte vhodnou teplotu.
- Došlo k výpadku napájení. >>>Jakmile se napájení obnoví, chladnička začne fungovat normálně.

Provozní hluk se v okamžiku spuštění chladničky zvyšuje.

- Provozní vlastnosti chladničky se mohou měnit v závislosti na změnách okolní teploty. Je to normální, nejde o poruchu.

Chladnička se spouští často nebo dlouhodobě.

- Nový produkt může být širší než ten předchozí. Větší chladničky fungují delší dobu.
- Pokojová teplota může být vysoká. >>>Je normální, že v horkém prostředí je produkt spuštěný delší dobu.
- Chladnička mohla být zapojena nedávno nebo byla naplněna potravinami.
>>>Je-li chladnička zapojena nebo naplněna potravinami nedávno, bude jí dosažení nastavené teploty trvat déle. To je normální.
- V nedávné době jste do chladničky vložili velké množství teplých potravin. >>>Do chladničky nedávejte horké potraviny.
- Dveře mohly být otevírány často nebo mohly zůstat dlouho pootevřené. >>>Teplý vzduch, který vnikl do chladničky, způsobil dlouhodobější spuštění chladničky. Neotevírejte často dveře.
- Dveře mrazničky nebo chladničky mohly zůstat pootevřené. >>>Zkontrolujte, zda jsou dveře pevně zavřené.
- Chladnička je nastavena na velmi nízkou teplotu. >>>Upravte teplotu chladničky na vyšší hodnotu a počkejte, než této teploty dosáhne.
- Těsnění dveří chladničky nebo mrazničky může být ušpiněno, opotřebené, prasklé nebo nesprávně usazené. >>>Těsnění vyčistěte nebo vyměňte. Poškození/prasklé těsnění způsobuje dlouhodobý chod chladničky pro udržení správné teploty.

Teplota v mrazničce je velmi nízká, zatímco teplota v chladničce je dostatečná.

- Teplota mrazničky je nastavena na velmi nízkou hodnotu. >>>Nastavte teplotu mrazničky na vyšší hodnotu a zkontrolujte ji.

Teplota v chladničce je velmi nízká, zatímco teplota v mrazničce je dostatečná.

- Teplota v chladničce je nastavena na velmi nízkou hodnotu. >>>Nastavte teplotu chladničky na vyšší hodnotu a zkontrolujte ji.

Jídlo skladované v chladničce zmrzlo.

- Teplota v chladničce je nastavena na velmi vysokou hodnotu. >>>Nastavte teplotu chladničky na nižší hodnotu a zkontrolujte ji.

Teplota v mrazničce nebo chladničce je velmi vysoká.

- Teplota v chladničce je nastavená na velmi vysokou hodnotu. >>>Nastavení teploty v chladničce ovlivňuje teplotu v mrazničce. Změňte teplotu chladničky nebo mrazničky, dokud teplota v mrazničce nedosáhne dostatečnou hodnotu.
- Dveře se mohly otevírat častěji nebo byly ponechány dlouhou dobu otevřené. >>>Dveře neotevírejte často.
- Dveře jsou pootevřené. >>>Dveře zavřete.
- Chladnička byla právě zapojena nebo naplněna potravinami. >>>To je normální. Je-li chladnička zapojena nebo naplněna potravinami, dosažení nastavené teploty bude trvat déle.
- V nedávné době jste do chladničky vložili velké množství teplých potravin. >>>Do chladničky nedávejte horké potraviny.

Vibrace nebo hluk.
<ul style="list-style-type: none"> • Podlaha není rovná ani stabilní. >>> Pokud chladnička při pomalých pohybech vydává zvuk, vyrovnejte ji nastavením nožiček. Rovněž ověřte, zda je podlaha dostatečně pevná pro chladničku a zda je rovná. • Hluk mohou způsobovat předměty umístěné na chladničce. >>> Sejměte předměty z horní části chladničky.
Ozývá se zvuk z chladničky jako tečení kapaliny, stříkání, atd.
<ul style="list-style-type: none"> • V souladu s provozními principy chladničky dochází k proudění kapalin a plynu. Je to normální, nejde o poruchu.
Z chladničky se ozývá pískání.
<ul style="list-style-type: none"> • K vychlazení chladničky se používají ventilátory. Je to normální, nejde o poruchu.
Kondenzace na vnitřních stěnách chladničky.
<ul style="list-style-type: none"> • Horké a vlhké počasí zvyšuje tvorbu ledu a kondenzace. Je to normální, nejde o poruchu. • Dveře se mohly otevírat častěji nebo byly ponechány dlouhou dobu otevřené. >>> Dveře neotevírejte často. Jsou-li otevřené, zavřete je. • Dveře jsou pootevřené. >>> Dveře zavřete.
Vlhkost na vnější straně chladničky nebo mezi dveřmi.
<ul style="list-style-type: none"> • Ve vzduchu může být vlhkost; to je ve vlhkém počasí zcela normální. Po poklesu vlhkosti kondenzace zmizí.
Nepříjemný zápach v chladničce.
<ul style="list-style-type: none"> • Není prováděno žádné pravidelné čištění. >>> Vnitřní část chladničky vyčistěte houbičkou, vlažnou vodou. • Některé nádoby nebo obaly mohou zapáchat. >>> Použijte jinou nádobu nebo jiný obal. • Potraviny se do chladničky vkládají v nezakrytých nádobách. >>> Potraviny skladujte v uzavřených nádobách. Mikroorganismy množící se z neuzavřených nádob mohou způsobit nepříjemné zápachy. • Z chladničky vyndejte potraviny, u nichž vypršela doba doporučené spotřeby.
Dveře se nezavírají.
<ul style="list-style-type: none"> • Zabalené potraviny brání zavírání dveří. >>> Vyměňte obaly, které brání zavírání dveří. • Chladnička není na rovné podlaze. >>> Chladničku vyrovnejte nastavením nožiček. • Podlaha není rovná. >>> Ověřte, zda je podlaha rovná a zda dokáže chladničku unést.
Přihrádky na čerstvé potraviny jsou zaseklé.
<ul style="list-style-type: none"> • Potraviny se dotýkají horní části zásuvek. >>> Potraviny v zásuvce uspořádejte jinak.

Prosím, najskôr si prečítajte túto používateľskú príručku!

Vážený zákazník,
dúfame, že váš produkt, ktorý bol vyrobený v moderných továrňach a skontrolovaný v rámci prepracovaných postupov riadenia kvality, vám bude úspešne a efektívne slúžiť.

Preto si celú túto používateľskú príručku preštudujte skôr, ako začnete produkt používať a odložte si ju na budúce použitie. Ak produkt odovzdáte niekomu inému, nezabudnite k nemu priložiť aj používateľskú príručku.

Používateľská príručka vám umožní používať produkt rýchlo a bezpečne.

- Príručku si prečítajte pred inštaláciou a prevádzkou vášho produktu.
- Nezabudnite si preštudovať bezpečnostné pokyny.
- Príručku uschovajte na ľahko prístupnom mieste, pretože ho môžete neskôr potrebovať.
- Preštudujte si ostatné dokumenty dodávané spolu s produktom.

Pamätajte, že táto používateľská príručka sa vzťahuje aj na niekoľko ďalších modelov. Rozdiely medzi modelmi budú pomenované v texte príručky.

Vysvetlenie symbolov

V tejto používateľskej príručke sa používajú nasledujúce symboly:

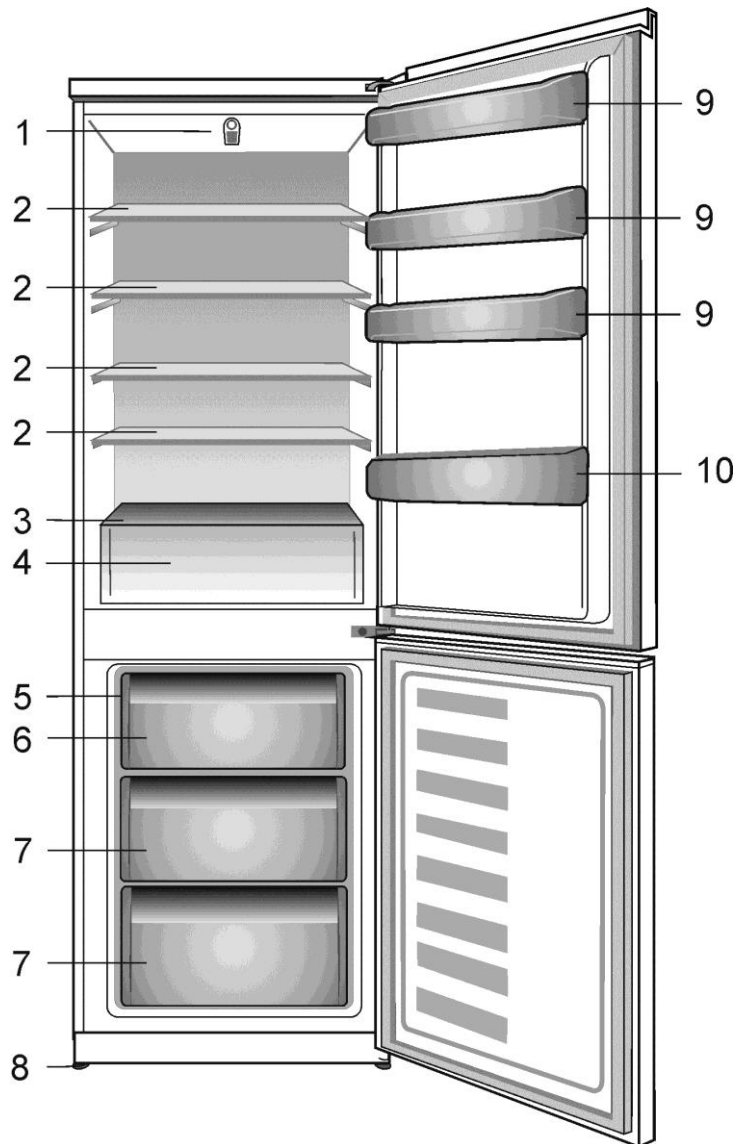
 Dôležité informácie alebo užitočné tipy.

 Výstraha pred ohrozením života a majetku.

 Výstraha pred elektrickým napätím.

1 Vaša chladnička	3	4 Príprava	11
2 Dôležité bezpečnostné výstrahy	4	5 Použitie chladničky	12
Cieľové použitie	4	Tlačidlo nastavenia teploty	12
Všeobecná bezpečnosť	4	Rozmrazenie	13
Pre produkty s dávkovačom vody	4	Mrazenie čerstvých potravín	14
Bezpečnosť detí	6	Odporúčania pre uchovávanie mrazeného jedla	15
Súlad so smernicou AEEE a likvidácia vyradených produktov	6	Odporúčania pre oddelenie čerstvého jedla	15
Informácie na obale	7	Obrátenie dverí	16
Varovanie HCA	7	6 Údržba a čistenie	17
Veci, ktoré treba urobiť pre úsporu energie	7	Predchádzanie vzniku zlého zápachu	17
3 Inštalácia	8	Ochrana plastových povrchov	17
Body, ktorým je potrebné venovať pozornosť pri premiestňovaní chladničky	8	7 Riešenie problémov	18
Pred uvedením chladničky do prevádzky	8		
Elektrické prepojenia	9		
Likvidácia obalu	9		
Likvidácia vašej starej chladničky	9		
Umiestnenie a inštalácia	9		
Výmena lampy osvetlenia	9		
Nastavenie nôh	9		

1 Vaša chladnička



1. Gombík nastavenia a interiérové svetlo
2. Nastaviteľné poličky
3. Sklenený kryt
4. Priečinok na šalát
5. Držiak tácky na ľad a tácka na ľad
6. Priestor pre rýchle zmrazovanie
7. Priestory pre uchovávanie mrazených potravín

8. Nastaviteľná predná nôžka
9. Polička na nádoby
10. Polička na fľaše

*** Voliteľný**

i Obrázky v tejto príručke k obsluhu sú schematické a nemusia sa presne zhodovať s vaším produktom. Ak produkt, ktorý ste si zakúpili, nedisponuje uvádzanými časťami, potom sa to týka iných modelov.

2 Dôležité bezpečnostné výstrahy

Prečítajte si nasledujúce informácie. Nedodržiavanie týchto informácií môže mať za následok zranenia alebo vecné škody. Všetky záručné záväzky tým strácajú platnosť.

Prevádzková životnosť tohto produktu je 10 rokov. Počas tohto obdobia budú k dispozícii náhradné diely na zabezpečenie náležitej prevádzky spotrebiča.

Určené použitie

Tento výrobok je určený na použitie v interiéroch a v uzatvorených oblastiach, ako napríklad v domoch;

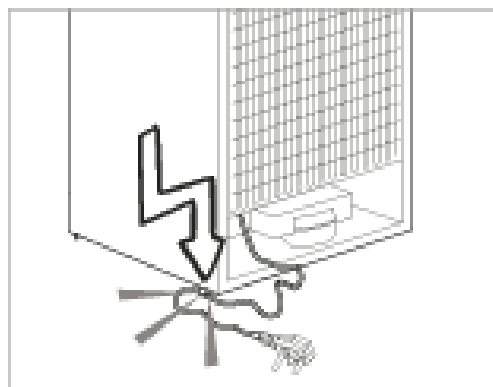
- v uzatvorených pracovných prostrediach, ako napríklad obchody a kancelárie,
- v uzatvorených ubytovacích oblastiach, ako napríklad chalupy, hotely, penzióny.
- Nesmie sa používať v exteriéroch.

Všeobecná bezpečnosť

- Ak chcete vyradiť/zlikvidovať tento produkt, odporúčame vám poradiť sa s autorizovaným servisom, aby ste získali potrebné informácie o autorizovaných orgánoch zriadených na tento účel.
- Obráťte sa na autorizovaný servis so všetkými otázkami a problémami s vašou chladničkou. Nezasahujte ani nenechajte iných zasahovať do chladničky bez upozornenia autorizovaného servisu.
- Pri výrobkoch s mraziacim priečinkom nejedzte zmrzlinu v kornútoch a kocky ľadu ihneď po ich vybratí z mraziaceho priečinka! (Môžete si tým spôsobiť nepríjemný mrazivý pocit v ústach.)

- Pri výrobkoch s mraziacim priečinkom nedávajte do mraziaceho priečinka tekuté nápoje vo fľašiach a plechovkách. V opačnom prípade by mohli prasknúť.
- Mrazeného jedla sa nedotýkajte rukami; mohlo by sa k ruke prilepiť.
- Pred čistením alebo rozmrazovaním chladničku odpojte.
- Para a parové čistiace prostriedky by sa nikdy nemali používať pri čistení a odmrazovaní vašej chladničky. V takýchto prípadoch by sa para mohla dostať do kontaktu s elektrickými dielmi a spôsobiť skrat alebo zásah elektrickým prúdom.
- Nikdy nepoužívajte rôzne časti, ako napr. dvere, ako podpery alebo schodíky.
- Vo vnútri vašej chladničky nepoužívajte elektrické zariadenia.
- Časti, v ktorých cirkuluje chladivo, nepoškodzujte nástrojmi na vŕtanie alebo rezanie. V prípade perforácie plynových kanálov výparníka, trubkových rozšírení alebo povrchových úprav, spôsobuje rozliaty chladiaci prostriedok podráždenie pokožky a zranenia očí.
- Neprekrývajte ani neblokujte ventilačné otvory na chladničke žiadnymi materiálmi.
- Elektrické spotrebiče musia opravovať len oprávnené osoby. Opravy vykonávané nekompetentnými osobami predstavujú riziko pre používateľa.

- V prípade zlyhania alebo počas údržby alebo opráv odpojte chladničku od elektrického rozvodu buď vypnutím príslušnej poistky alebo odpojením spotrebiča od siete.
- Pri odpájaní zásuvky neťahajte za kábel, ale potiahnite zásuvku.
- Nápoje s vysokým obsahom alkoholu umiestnite tesne vedľa seba a vertikálne.
- V chladničke neskladujte spreje s rozprašovačom, ktoré obsahujú horľavé alebo výbušné látky.
- Nepoužívajte mechanické prístroje alebo iné prostriedky na urýchľovanie rozmrazovacieho procesu iné ako tie, ktoré odporúča výrobca.
- Tento produkt nie je určený na používanie osobami s fyzickými, zmyslovými alebo duševnými poruchami alebo nepoučenými alebo neskúsenými osobami (vrátane detí), pokiaľ pri nich nie je osoba, ktorá je zodpovedná za ich bezpečnosť, alebo ktorá ich riadne poučí o používaní produktu
- Neuvádzajte do prevádzky poškodenú chladničku. Ak máte akékoľvek pochybnosti, obráťte sa na servisného zástupcu.
- Elektrická bezpečnosť vašej chladničky je zaručená len vtedy, keď je váš uzemňovací systém v zhode s týmito štandardmi.
- Vystavenie produktu pôsobeniu dažďa, snehu, slnka a vetra je nebezpečné z pohľadu elektrickej bezpečnosti.
- Pri poškodení elektrického kábla kontaktujte autorizovaný servis, aby ste zabránili ohrozeniu.
- Počas inštalácie nikdy chladničku nepripájajte do elektrickej zásuvky. V opačnom prípade vznikne riziko usmrtenia alebo vážneho zranenia.
- Táto chladnička je určená len na skladovanie potravín. Nepoužívajte ju na žiadne iné účely.
- Štítok s technickými údajmi sa nachádza na ľavej stene vo vnútri chladničky.
- Chladničku nezapájajte do elektronických systémov na úsporu energie, pretože ju môžu poškodiť.
- Ak je v chladničke modré svetlo, nepozerajte sa naň cez optické zariadenia.
- Manuálne riadené chladničky zapínajte po výpadku prúdu s odstupom najmenej 5 minút.
- Pri odovzdaní produktu inej osobe odovzdajte túto príručku k obsluhu novému vlastníkovi.
- Zabráňte poškodeniu elektrického kábla pri preprave chladničky. Prehýbanie kábla môže spôsobiť požiar. Na napájací kábel nedávajte ťažké predmety.
- Pri zapájaní produktu sa zástrčky nedotýkajte mokrými rukami.



- Chladničku nezapájajte, ak je zásuvka na stene uvoľnená.
- Z bezpečnostných dôvodov nestriekajte vodu priamo na vnútorné alebo vonkajšie časti produktu.

- Z dôvodu rizika požiaru a výbuchu nerozstrekujte v blízkosti chladničky horľavé materiály, ako napríklad propánový plyn a pod.
- Na chladničku neumiestňujte nádoby naplnené vodou, pretože môžu spôsobiť zásah elektrickým prúdom alebo požiar.
- Chladničku nepreťažujte. Ak je preťažená, potraviny môžu spadnúť a spôsobiť vám zranenie a poškodiť chladničku, keď otvoríte dvere.
- Na chladničku nikdy nedávajte predmety, pretože môžu spadnúť, keď otvoríte alebo zatvoríte dvere chladničky.
- V chladničke neuchovávajte vakcíny, lieky citlivé na teplo, vedecké materiály a pod., ktoré si vyžadujú presnú teplotu.
- Ak sa chladnička nebude dlhší čas používať, treba ju odpojiť zo siete. Možný problém s napájacím káblom môže spôsobiť požiar.
- Výbežky zástrčky by sa mal pravidelne čistiť suchou handričkou, pretože v opačnom prípade môže dôjsť k požiaru.
- Keď nastaviteľné nožičky nie sú umiestnené pevne na podlahe, môže dôjsť k posunu chladničky. Správnym upevnením nastaviteľných nožičiek na podlahe možno zabrániť posúvaniu chladničky.
- Pri prenášaní chladničky ju nedržte za rukoväť na dverách. V opačnom prípade môže prasknúť.
- Ak musíte umiestniť produkt vedľa inej chladničky alebo mrazničky, vzdialenosť medzi nimi musí byť najmenej 8 cm. Inak môžu prilahlé steny strán navlhnúť.

Pri výrobkoch s dávkovačom vody;

Tlak prívodu vody musí byť najmenej 1 bar. Tlak prívodu vody musí byť najviac 8 barov.


- Používajte len pitnú vodu.

Bezpečnosť detí

- Ak dvere obsahujú zámku, kľúč uchovávajte mimo dosah detí.
- Deti musia byť pod dohľadom, aby sa zabránilo ich zasahovaniu do produktu.

Súlad so smernicou AEEE a likvidácia vyradených produktov



Symbol  na výrobku alebo na balení označuje, že s týmto výrobkom sa nesmie manipulovať ako s odpadom z domácnosti. Namiesto toho by ste ho mali odovzdať na príslušnom zbernom mieste, kde sa zabezpečuje recyklácia elektrických a elektronických zariadení. Zabezpečením správnej likvidácie tohto výrobku pomôžete zabrániť potenciálne nebezpečným negatívnym následkom na životné prostredie a zdravie ľudí, ktoré by inak mohla spôsobiť nevhodná likvidácia tohto výrobku. Ak chcete získať podrobnejšie informácie o recyklácii tohto výrobku, obráťte sa na miestny mestský úrad, na spoločnosť, ktorá sa zaoberá likvidáciou odpadu z domácností, alebo na predajňu, v ktorej ste výrobok kúpili.

Informácie o balení

Obalový materiál produktu je vyrobený z recyklovateľných materiálov v súlade s národnými predpismi o životnom prostredí. Nevyhadzujte obalové materiály spolu s odpadmi z domácnosti alebo inými odpadmi. Vezmite ho na zberné miesto označené miestnymi úradmi

Nezabudnite...

Recyklovanie je nevyhnutnou vecou pre prírodu a naše národné bohatstvo.

Ak chcete prispieť k opakovanému zhodnoteniu baliacich materiálov, môžete sa obrátiť na organizácie na ochranu životného prostredia alebo mestské úrady v mieste vášho bydliska.

Varovanie HCA

Chladiaci systém vášho výrobku obsahuje R600a:

Tento plyn je horľavý. Preto dajte pozor na to, aby ste nepoškodili chladiaci systém a potrubné vedenia pri používaní a preprave. V prípade poškodenia udržiavajte produkt mimo potenciálnych zdrojov plameňa, ktoré by mohli spôsobiť vznietenie produktu, a miestnosť, kde je zariadenie umiestnené, dostatočne vetrajte.

Typ plynu použitý vo výrobku je uvedený na typovom štítku, ktorý sa nachádza na ľavej stene vnútri chladničky.

Produkt nelikvidujte hodením do ohňa.

Veci, ktoré treba urobiť pre úsporu energie

- Dvere vašej chladničky nenechávajte otvorené dlhý čas.
- Do chladničky nevkladajte horúce jedlá alebo nápoje.
- Chladničku neprepíňajte, aby ste neblokovali prúdenie vzduchu v interiéri.
- Vašu chladničku neumiestňujte na priame slnečné svetlo alebo do blízkosti spotrebičov, ktoré produkujú teplo, ako napr. rúry na pečenie, umývačky riadu alebo radiátory. Produkt inštalujte najmenej 30 cm od tepelných zdrojov a aspoň 5 cm od elektrických rúr.
- Dbajte na to, aby ste jedlo uchovávali v uzavretých nádobách.
- Priestor mrazničky môžete potravinami maximálne naplniť tak, že vyberiete zásuvky, ktoré sú súčasťou mrazničky. Uvedenú hodnotu spotreby energie vašej chladničky sme určili, keď sme vybrali policu a zásuvku mraziaceho priečinka. Pri použití poličky alebo zásuvky vyhovujúcej tvarom a rozmerom mrazených potravín nehrozí žiadne riziko.
- Rozmrazovanie mrazených potravín v priečinku chladničky zabezpečuje úsporu energie a taktiež zachováva kvalitu potravín.

 Musíte vyčistiť interiér chladničky.

3 Inštalácia

⚠ Ak sa nedodržiavajú pokyny uvádzané v používateľskej príručke, výrobca za tento stav nepreberá žiadnu zodpovednosť.

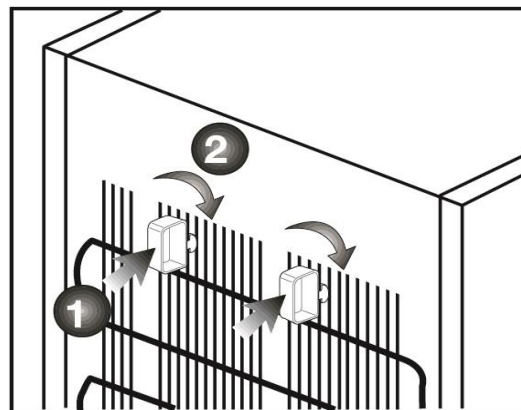
Body, ktorým je potrebné venovať pozornosť pri premiestňovaní chladničky

1. Pred prepravou je chladničku potrebné vyprázdniť a vyčistiť.
2. Pred opakovaným zabalením je potrebné poličky, príslušenstvo, chladiaci priečinok atď. vo vnútri chladničky upevniť lepiacou páskou a chrániť pred nárazmi. Škatuľu je potrebné previazať hrubou páskou alebo pevným motúzom, pričom je potrebné dôsledne dodržiavať pravidlá prepravy uvedené na obale.
3. Originálny obal a penové materiály by ste si mali odložiť za účelom budúceho transportu a prenášania.

Pred uvedením chladničky do prevádzky,

Pred začatím používania vašej chladničky skontrolujte nasledovné:

1. Upevnite 2 plastové kliny podľa znázornenia na obrázku nižšie. Plastové kliny slúžia na uchovanie odstupu nevyhnutného na zabezpečenie prúdenia vzduchu medzi chladničkou a stenou. (Obrázok slúži len ako referencia a nemusí sa presne zhodovať s vaším výrobkom.)



2. Vyčistite interiér chladničky podľa odporúčania v odseku „Údržba a čistenie“.
3. Zasuňte zásuvku chladničky do elektrickej zástrčky. Keď sa otvoria dvere chladničky, zapne sa vnútorné svetlo chladničky.
4. Keď sa kompresor uvedie do prevádzky, zaznie zvuk. Kvapalina a plyny utesnené v chladiacom systéme môžu vydávať nejaký zvuk, bez ohľadu na to, či kompresor je alebo nie je v prevádzke. Toto je celkom normálne.
5. Predné hrany chladničky môžu byť zohriate. To je normálne. Tieto časti sú vytvorené tak, aby boli zohriate, aby sa predišlo kondenzácii.

Elektrické prepojenia

Pripojte výrobok k uzemnenej zástrčke, ktorá je chránená poistkou príslušnej kapacity.

Dôležité:

Pripojenie musí byť v zhode s národnými predpismi.

- Elektrická zásuvka musí byť po inštalácii ľahko prístupná.
- Elektrická bezpečnosť vašej chladničky je zaručená len vtedy, keď je váš uzemňovací systém v zhode s týmito štandardmi.
- Napätie uvedené na štítku na ľavej vnútornej strane výrobku sa musí zhodovať s napätím v elektrickej sieti.
- **Predlžovacie káble a rozbočky sa nesmú používať na pripojenie zariadenia.**

⚠ Poškodený elektrický kábel musí vymeniť kvalifikovaný elektrikár

⚠ Zariadenie sa nesmie prevádzkovať dovtedy, pokiaľ nebude opravené! Hrozí nebezpečenstvo zásahu elektrickým prúdom!

Likvidácia obalu

Obalový materiál môže byť nebezpečný pre deti. Obalový materiál držte mimo dosahu detí alebo ho vyhodte podľa pokynov pre likvidáciu odpadu ustanovené miestnymi úradmi.

Nelikvidujte spolu s bežným komunálnym odpadom, likvidujte na miestach zberu obalových materiálov ustanovených miestnymi úradmi.

Balenie chladničky je vyrobené z recyklovateľných materiálov.

Likvidácia vašej starej chladničky

Vašu starú chladničku zlikvidujte ekologicky.

- O likvidácii vašej starej chladničky sa môžete poradiť s vašim autorizovaným predajcom alebo zberným miestom.

Pred likvidáciou vašej chladničky odrežte elektrickú zásuvku a ak sa na dverách nachádzajú nejaké zámky, znefunkčnite ich, aby ste nevystavili deti žiadnemu nebezpečenstvu.

Umiestnenie a inštalácia

⚠ Ak vstupné dvere v miestnosti, kde bude chladnička nainštalovaná, nie sú dostatočne široké na to, aby cez ne chladnička prešla, zavolajte do autorizovaného servisu, aby odmontovali dvere vašej chladničky a bokom ju preniesli cez dvere.

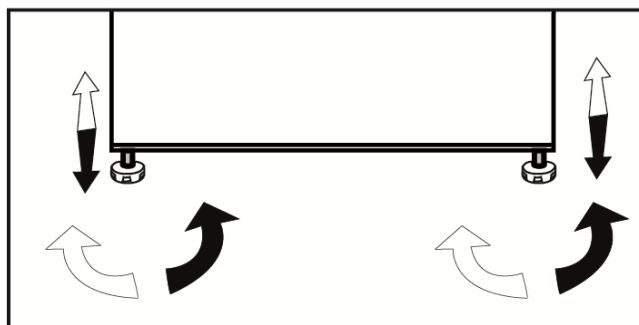
1. Chladničku nainštalujte na miesto, ktoré umožňuje ľahké použitie.
2. Chladničku udržiavajte mimo dosah zdrojov tepla, vlhkých miest a priameho slnečného svetla.
3. Kvôli dosiahnutiu účinnej prevádzky musí byť v okolí chladničky dostatočné vetranie. Ak bude chladnička umiestnená vo výklenku v stene, minimálna vzdialenosť od stropu musí byť 5 cm a od steny 5 cm. Nedávajte svoj produkt na materiály, ako napríklad koberček alebo koberec.
4. Kvôli zabráneniu hádzaniu dajte chladničku na rovnú podlahu.

Výmena lampy osvetlenia

Ak chcete vymeniť žiarovku/diódu použitú na osvetlenie vašej chladničky, zavolajte do autorizovaného servisu.

Nastavenie nôh

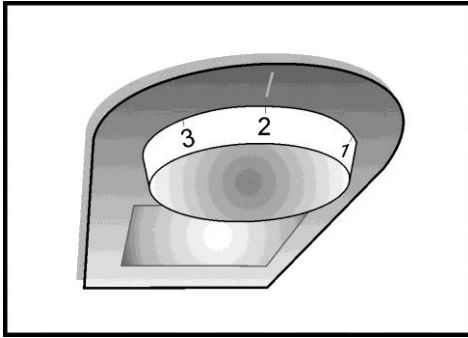
Ak je vaša chladnička nestabilná; Chladničku môžete vyvážiť otáčaním predných nôh tak, ako je to znázornené na obrázku. Keď nohu otáčate v smere čiernej šípky, roh s príslušnou nohou sa znižuje; keď nohu otáčate v opačnom smere, poloha sa zvyšuje. Pomoc inej osoby miernym pridvihnutím chladničky celý proces uľahčí.



4 Príprava

- Vaša chladnička by mala byť umiestnená v najmenej 30 cm vzdialenosti od zdrojov tepla, ako sú horáky, rúry na pečenie, radiátory a kachle a najmenej v 5 cm vzdialenosti od elektrických rúr na pečenie a nemala by byť umiestnená na priamom slnku.
- Uistite sa, že je interiér vašej chladničky dôkladne vyčistený.
- Ak sa budú vedľa seba inštalovať dve chladničky, mala by byť medzi nimi vzdialenosť minimálne 2 cm.
- Pri prvom spustení vašej chladničky počas šiestich hodín dodržujte nasledujúce pokyny.
- Dvere by ste nemali otvárať príliš často.
- Chladnička musí byť počas tohto času prázdna.
- Chladničku neodpájajte od siete. Ak dôjde k výpadku napájania, ktoré nemôžete ovplyvniť, pozrite si upozornenia v časti „Odporúčané riešenia problémov“.
- Tento produkt bol navrhnutý na prevádzku pri okolitej teplote až 43° C (110 ° F).

5 Použitie chladničky



Tlačidlo nastavenia termostatu

Vnútorná teplota chladničky sa mení z nasledujúcich dôvodov;

- Sezónne teploty,
- Časté otváranie dverí a dlhé ponechanie otvorených dverí,
- Vloženie jedla do chladničky skôr, ako sa schladí na izbovú teplotu.
- Umiestnenie chladničky v miestnosti (napr. vystavenie slnečnému svetlu).
- Môžete nastaviť premenlivou teplotu vnútorné časti s zreteľom na také dôvody prostredníctvom použitia termostatu.

Prevádzkové teploty sa riadia gombíkom termostatu a môžu sa nastaviť do akejkoľvek polohy medzi 0 a 5 (najchladnejšia poloha).

Priemerná teplota vo vnútri chladničky by mala byť okolo +5°C (+41°F).

Nastavte preto termostat tak, aby ste dosiahli požadovanú teplotu. Niektoré časti chladničky môžu byť chladnejšie alebo teplejšie (ako napríklad priehradka na šalát a vrchná časť vitríny), čo je celkom normálne. Odporúčame vám, aby ste pravidelne kontrolovali teplotu teplomerom. Tak zabezpečíte, že vitrína sa udržiava pri tejto teplote. Časté otváranie dverí spôsobuje zvýšenie vnútornej teploty, preto sa odporúča zatvoriť dvere čo možno najskôr po použití.

Odmrazovanie

A) Priestor chladničky

V priestore chladničky dochádza k plne automatickému odmraveniu. Kým sa priestor v chladničke ochladzuje, môžu sa vo vnútri chladničky objaviť vodné kvapky a námraza do veľkosti 7-8 mm. Takýto jav je normálny výsledok chladiaceho systému. Vytvorená námraza sa automaticky odstraňuje pri automatickom odmravení po určitých intervaloch vďaka automatickému odmravovaciemu systému v zadnej stene. Užívateľ nemusí škriabať námrazu alebo stierať kvapky vody. Voda po odmravení steká do drážky pre zber vody a tečie do výparníka odvodňovacie trubicou, kde sa sama vyparuje. Pravidelne kontrolujte, či nie je upchatá odkvapová rúra a v prípade potreby ju uvoľnite pomocou prepichnutia. Príčinnok hlbokého zmrazenia nevykonáva automatické odmravenie, kvôli zabráneniu rozkladu zmrazeného jedla.

B) Priestor mrazničky

Rozmravenie je veľmi priamočiare a bez zmätkov vďaka špeciálnej rozmrazovacej zbernej miske. Rozmravujte dvakrát do roka alebo keď sa vytvorila vrstva námrazy asi 7 mm (1/4"). Pri začatí rozmrazovacieho postupu vypnite spotrebič zo zásuvky a vytiahnite zástrčku. Všetky potraviny by mali byť zabalené do niekoľkých vrstiev novín a skladované na chladnom mieste (napr. v chladničke alebo v komore). Nádrže teplej vody sa môžu opatrne položiť do mrazničky na urýchlenie rozmrazovania. Na odstránenie námrazy nepoužívajte špicaté predmety ani predmety s ostrou hranou, ako nože alebo vidličky. Na rozmrazovanie nikdy nepoužívajte sušiče vlasov, elektrické ohrievače alebo iné elektrické spotrebiče. Odsajte rozmrazenú vodu zhromaždenú na dne priestoru mrazničky. Po rozmrazení starostlivo osušte interiér. Vložte zástrčku do zásuvky v stene a zapnite dodávku elektriny.

Mrazenie čerstvých potravín

- Pred umiestnením do chladničky jedlo obaľte alebo zakryte.
 - Horúce jedlo sa musí pred umiestnením do chladničky ochladiť na izbovú teplotu.
 - Potraviny, ktoré chcete zamraziť, musia byť čerstvé a v dobrej kvalite.
 - Potraviny musíte rozdeliť na porcie podľa denných rodinných alebo na jedle založených potrebách konzumácie.
 - Potraviny musia byť zabalené vzduchotesným spôsobom, aby sa zabránilo ich vysušeniu aj v prípade, že ich plánujete uchovať len krátku dobu.
 - Materiály použité na balenie musia byť odolné voči roztrhnutiu, chladu, vlhkosti, pachom, olejom a kyselinám a musia byť aj vzduchotesné.
- Okrem toho musia byť dobre zatvorené a musia byť vyrobené z ľahko použiteľných materiálov, ktoré sú vhodné na použitie pri hlbokom zmrazení.
- Zmrazené potraviny musíte použiť okamžite po rozmrazení a nikdy ich opätovne nezmrazujte.
 - Dodržiavajte nasledujúce pokyny, aby ste dosiahli najlepšie výsledky.

1. Naraz nemrazte príliš veľké množstvá jedla. Kvalita potravín sa najlepšie zachová, keď sa mrazia správne až do vnútra, čo možno najrýchlejšie.

2. Vloženie teplých potravín do priestoru mrazničky spôsobuje, že chladiaci systém funguje neustále, až kým potraviny nie sú pevne zmrazené.

3. Buďte obzvlášť opatrní, aby ste nezmiešali mrazené a čerstvé potraviny.

- Horúce jedlá a nápoje sa musia pred umiestnením do chladničky ochladiť na izbovú teplotu.
- Maximálny úložný objem mrazených potravín môžete dosiahnuť bez používania krytu hornej police, ktorý sa nachádza v priečniku mrazničky. Príkion vášho spotrebiča je deklarovaný, keď je priečinok mrazničky plne naložený bez použitia krytu hornej police.
- Ak došlo k výpadku prúdu, neotvárajte dvere mrazničky. Aj keď bude výpadok prúdu trvať „čas zvýšenia teploty“ uvedený v časti „Technické údaje vašej chladničky“, nebude to mať vplyv na zmrazené potraviny. Ak výpadok trvá dlhšie, jedlo sa musí skontrolovať a v prípade potreby okamžite skonzumovať, prípadne zmraziť po uvarení.
- Venujte pozornosť dátumu expirácie, maximálnej povolenej dobe uskladnenia a odporúčanej teplote uskladnenia zakúpených potravín. Ak uplynie doba expirácie, nekonsumujte.

Odporúčania pre uchovávanie mrazeného jedla

Balené komerčne predávané mrazené jedlo by sa malo skladovať v súlade s pokynmi výrobcu pre ******** (4 - hviezdíčkový) priečnik na uchovávanie mrazeného jedla.

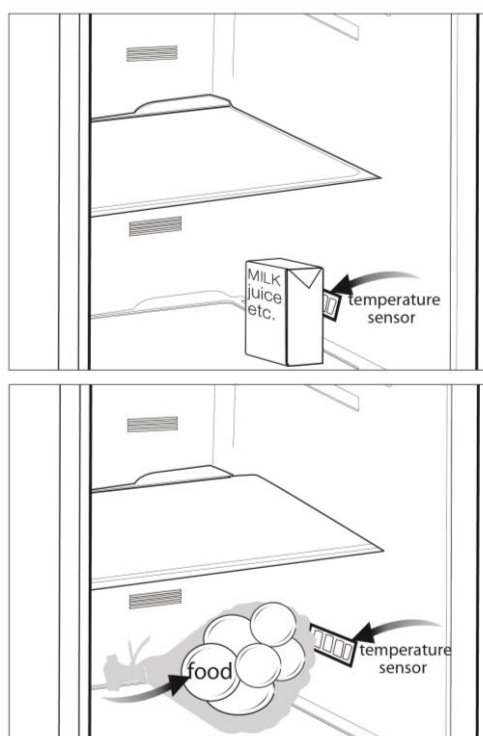
• V záujme zachovania vysokej kvality dodávanej výrobcom a predajcom mrazených potravín je potrebné dodržiavať nasledovné pravidlá:

1. Po zakúpení balenia čo najskôr vkladajte do mrazničky.
2. Zabezpečte, aby bol obsah označený a datovaný.
3. Neprekračujte dátumy spotreby a použiteľnosti uvedené na obaloch.

Odporúčania pre oddelenie čerstvého jedla

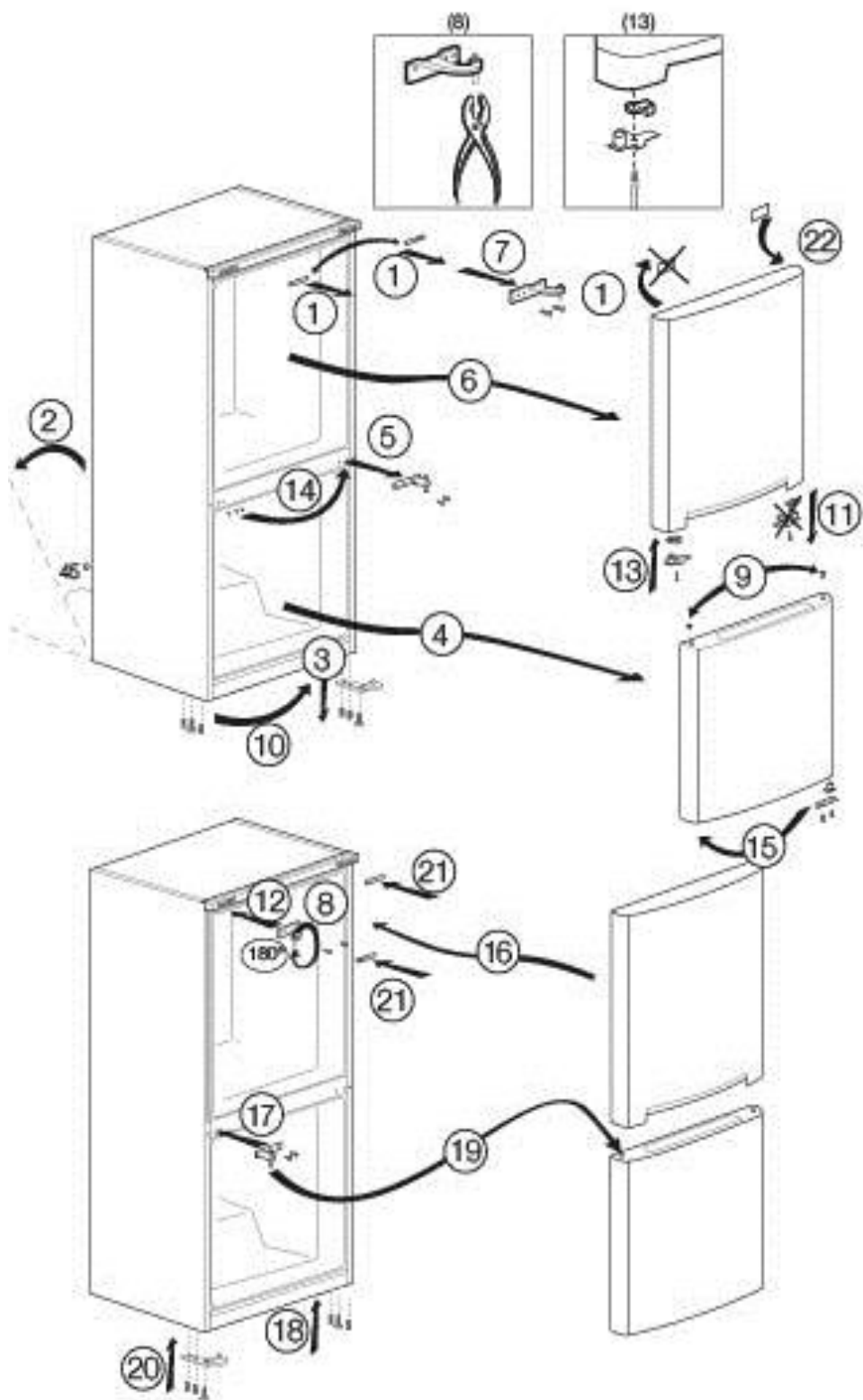
*voliteľné

- Nedovoľte, aby sa potraviny dostali do kontaktu s teplotným senzorom v priestore čerstvého jedla. Ak sa má v priečniku čerstvého jedla zachovať optimálna uskladňovacia teplota, senzor nesmie byť blokovaný jedlom.
- Do výrobku nekladajte horúce potraviny.



Obrátenie dverí

Postupujte podľa číselného poradia



- ⚠** Na čistenie nikdy nepoužívajte plyn, benzín alebo obdobné prostriedky.
- ⚠** Odporúčame vám, aby ste zariadenie pred vyčistením odpojili od siete.
- ⚠** Na čistenie nikdy nepoužívajte žiadne ostré a drsné predmety, mydlo, domáce čističlá, saponáty a voskové leštidlá.
- i** Na čistenie skrine chladničky použite vlažnú vodu a vytrite ju do sucha.
- i** Použite vlhkú handru namočenú v roztoku jednej lyžičky sódy bikarbóny v pol litri vody. Umyte vnútrajšok a vytrite ho do sucha.
- ⚠** Uistite sa, že do puzdra lampy, prípadne iných elektrických súčiastok, neprenikne voda.
- ⚠** Ak sa chladničku nechystáte používať dlhšie obdobie, odpojte napájací kábel, vyberte všetky potraviny, vyčistite ju a dvere nechajte pootvorené.
- i** Skontrolujte tesnenie dverí či je čisté a zbavené odrobiniek z jedla.
- ⚠** Ak chcete odstrániť priechinky vo dverách, vyberte celý ich obsah a potom jednoducho potlačte priečinok nahor zo základne.
- ⚠** Na čistenie vonkajších povrchov a chrómovaných dielov produktu nikdy nepoužívajte čistiace prostriedky ani vodu s obsahom chlóru. Chlór spôsobuje koróziu takýchto kovových povrchov.

Predchádzanie nepríjemným zápachom

Materiály, ktoré môžu spôsobovať zápach sa na výrobu našich chladničiek nepoužívajú.

Avšak kvôli nesprávnym podmienkam uchovávania potravín a nečistenie vnútorných povrchov chladničky podľa potreby môžu spôsobovať problémy so zápachom. Ak chcete predísť tomuto problému, venujte pozornosť nasledujúcim pokynom:

- Je dôležité udržiavať spotrebič v čistote.

Zvyšky potravín, škvrnny atď. môžu spôsobovať zápach. Preto chladničku každých 15 dní čistite uhličitanom rozpusteným vo vode. Nikdy nepoužívajte čistiace prostriedky ani mydlo.

- Potraviny uchovávajte v zatvorených nádobách.

Mikroorganizmy šíriace sa z neuzatvorených nádob môžu spôsobovať neželaný zápach.

- V spotrebiči nikdy neponechávajte potraviny s uplynutým dátumom spotreby.

Ochrana plastových povrchov

- i** Kvapalné oleje a vyprázané jedlá nedávajte do chladničky v otvorených nádobách, pretože poškadzujú plastové povrchy vašej chladničky. V prípade rozliatia alebo rozretia oleja na plastové povrchy okamžite vyčistite a opláchnite príslušnú časť povrchu teplou vodou.

7 Riešenie problémov

Pred zavolaním servisu si pozrite tento zoznam. Ušetrí vám to čas aj peniaze. Tento zoznam obsahuje bežné sťažnosti, ktoré sa nevzťahujú na chybné spracovanie alebo využitie materiálu. Niektoré z tu popísaných funkcií nemusí váš produkt obsahovať.

Chladnička nefunguje.

- Zástrčka nie je správne zasunutá do zásuvky. >>>Bezpečne zasuňte zástrčku do zásuvky.
- Poistka, ku ktorej je pripojená chladnička, alebo hlavná poistka je prepálená. >>>Skontrolujte poistku.

Kondenzácia na bočnej stene priestoru chladničky (MULTIZÓNA, OVLÁDANIE CHLADU a FLEXI ZÓNA).

- Okolie je veľmi chladné. >>>Neinštalujte chladničku na miestach, kde teplota klesá pod 10 °C.
- Dvere sa často otvárali. >>Neotvárajte a nezatvárajte dvere chladničky príliš často.
- Okolie je veľmi vlhké. Neinštalujte chladničku na miesta s vysokou vlhkosťou.
- Potraviny obsahujúce tekutinu sú uskladnené v otvorených nádobách. >>Neskladujte potraviny s obsahom tekutín v otvorených nádobách.
- Dvere chladničky ostali otvorené. >>>Zatvárajte dvere na chladničke.
- Termostat je nastavený na veľmi chladnú úroveň. >>Nastavte termostat na vhodnú úroveň.

Kompresor nie je v prevádzke

- Ochranná teplotná poistka kompresora sa vypáli počas náhleho výpadku napájania alebo pri vytiahnutí a opätovnom zastrčení zásuvky, pretože tlak chladivá v chladničke ešte nie je vyvážený. Chladnička začne pracovať po približne šiestich minútach. Ak po tomto čase chladnička nezačne fungovať, zavolajte servis.
- Chladnička je v rozmrazovacom cykle. >>>Pre plne automatickú rozmrazovaciu chladničku je to normálne. Cyklus odmrazovania sa vykonáva pravidelne.
- Chladnička nie je pripojená do siete. >>Ubezpečte sa, že ste zástrčku vložili do zásuvky.
- Nastavenia teploty nie sú správne. >>> Vyberte vhodnú hodnotu teploty.
- Zlyhalo napájanie. >>> Chladnička začne opäť normálne fungovať, keď sa obnoví prívod energie.

Prevádzkový hluk sa zvyšuje, keď chladnička pracuje.

- Prevádzkový výkon chladničky sa môže meniť podľa zmeny teploty okolia. Je to úplne normálne a neznamená to poruchu.

Chladnička pracuje príliš často alebo príliš dlhý čas.

- Nový produkt môže byť širší ako predchádzajúci. Väčšie chladničky pracujú dlhší čas.
- Izbová teplota môže byť vysoká. >>>Je normálne, že produkt v teplom prostredí pracuje počas dlhších časových období.
- Chladnička mohla byť zapnutá len nedávno alebo mohlo byť do nej vložené jedlo. >>>Ak bola chladnička nedávno zapojená alebo naplnená potravinami, potrvá jej dlhšie, kým dosiahne nastavenú teplotu. To je normálne.
- Do chladničky mohlo byť len nedávno vložené väčšie množstvo teplého jedla. >>>Do chladničky nedávajte horúce potraviny.
- Dvere môžu byť často otvárané alebo ponechané dlhý čas pootvorené. >>>Teplý vzduch, ktorý prenikol do chladničky, spôsobuje, že chladnička pracuje dlhší čas. Neotvárajte dvere príliš často.
- Dvere mrazničky alebo chladničky mohli ostať otvorené. >>>Skontrolujte, či sú dvere úplne zatvorené.
- Teplota v chladničke je nastavená na veľmi nízku hodnotu. >>>Nastavte teplotu v chladničke na vyššiu a vyčkajte, kým je táto teplota dosiahnutá.
- Tesnenie dverí chladničky alebo mrazničky môže byť zanesené špinou, opotrebované, poškodené alebo nesprávne nasadené. >>>Vyčistite alebo vymeňte tesnenie. Poškodené tesnenie spôsobuje, že chladnička pracuje dlhšiu dobu, aby udržala požadovanú teplotu.

Teplota mrazničky je veľmi nízka, zatiaľ čo teplota chladničky je dostatočná.

- Teplota v mrazničke je nastavená na veľmi nízku hodnotu. >>>Nastavte teplotu v mrazničke na vyššiu a skontrolujte.

Teplota chladničky je veľmi nízka, zatiaľ čo teplota mrazničky je dostatočná.

- Teplota v chladničke je nastavená na veľmi nízku hodnotu. >>>Nastavte teplotu v chladničke na vyššiu a skontrolujte.

Potraviny uložené v spodných zásuvkách chladničky sú zamrznuté.

- Teplota v chladničke je nastavená na veľmi vysokú hodnotu. >>>Nastavte teplotu v chladničke na nižšiu hodnotu a skontrolujte.

Teplota v chladničke alebo mrazničke je príliš vysoká.

- Teplota v chladničke je nastavená na veľmi vysokú hodnotu. >>>Nastavenie teploty priečinku chladničky ovplyvňuje teplotu mrazničky. Zmeňte teploty chladničky alebo mrazničky a počkajte, kým príslušné priečinky dosiahnu dostatočnú teplotu.
- Dvere sú často otvárané alebo ponechané dlhý čas pootvorené. >>>Neotvárajte dvere príliš často.
- Dvere sú pootvorené. >>>Dvere dôkladne zatvorte.
- Chladnička bola nedávno zapojená alebo naplnená potravinami. >>>To je normálne.
Ak bola chladnička nedávno zapojená alebo naplnená potravinami, potrvá jej dlhšie, kým dosiahne nastavenú teplotu.
- Do chladničky mohlo byť len nedávno vložené väčšie množstvo teplého jedla. >>>Do chladničky nedávajte horúce potraviny.

Otrasy alebo hluk.
<ul style="list-style-type: none"> • Podlaha nie je rovná alebo dostatočne stabilná. >>> Ak sa chladnička trasie, keď sa s ňou pomaly hýbe, vyvážite ju nastavením nožičiek. Zároveň skontrolujte, či podlaha dokáže uniesť hmotnosť chladničky a či je rovná. • Predmety položené na chladničku môžu vydávať zvuky. >>>Odstráňte predmety položené navrchu chladničky.
Z chladničky vychádzajú zvuky ako tečenie alebo striekanie kvapaliny.
<ul style="list-style-type: none"> • Tok kvapaliny a plynu sa uskutočňuje podľa prevádzkových princípov. Je to úplne normálne a neznamená to poruchu.
Z chladničky vychádza pískanie.
<ul style="list-style-type: none"> • Na ochladenie chladničky sa používajú ventilátory. Je to úplne normálne a neznamená to poruchu.
Kondenzácia na vnútorných stenách chladničky.
<ul style="list-style-type: none"> • Horúce a vlhké počasie zvyšuje namrazovanie a kondenzáciu. Je to úplne normálne a neznamená to poruchu. • Dvere sú často otvárané alebo ponechané dlhý čas pootvorené. >>>Neotvárajte dvere príliš často. Zatvorte ich, ak sú otvorené. • Dvere sú pootvorené. >>>Dvere dôkladne zatvorte.
Na vonkajšej strane chladničky alebo medzi dverami sa tvorí vlhkosť.
<ul style="list-style-type: none"> • Vo vzduchu sa môže nachádzať vlhkosť - je to celkom bežné pri vlhkom počasí. Pri nižšej vlhkosti sa kondenzácia stratí.
Vo vnútri chladničky je nepríjemný zápach.
<ul style="list-style-type: none"> • Pravidelne sa nečistí. >>>Interiér chladničky pravidelne čistite špongiou, vlažnou vodou alebo roztokom sódy bikarbóny. • Zápach môžu spôsobovať niektoré nádoby alebo obalové materiály. >>>Použite odlišnú nádobu alebo odlišnú značku baliaceho materiálu. • Potraviny sa vkladajú do chladničky v nezakrytých nádobách. >>>Potraviny uchovávajte v zatvorených nádobách. Mikroorganizmy šíriace sa z neuzatvorených nádob môžu spôsobovať neželaný zápach. • Zo spotrebiča odstráňte potraviny, ktoré sú po dátume spotreby a ktoré sú pokazené.
Dvere sa nezatvárajú.
<ul style="list-style-type: none"> • Obaly potravín môžu brániť zatváraniu dverí. >>>Odstráňte obaly, ktoré bránia v ceste dverám. • Chladnička nie je na podlahe úplne rovno. >>>Nastavte nožičky, aby ste chladničku vyvážili. • Podlaha nie je rovná alebo dostatočne pevná. >>>Skontrolujte, či je podlaha rovná a či dokáže uniesť hmotnosť chladničky.
Špeciálne priehradky sú zaseknuté.
<ul style="list-style-type: none"> • Jedlo sa dotýka vrchnej strany zásuvky. >>>Znovu usporiadajte jedlo v zásuvke.

Παρακαλούμε διαβάστε πρώτα αυτές τις οδηγίες χρήσης!

Αγαπητέ Πελάτη,

Ελπίζουμε ότι η συσκευή σας, που κατασκευάστηκε σε μοντέρνες εγκαταστάσεις και ελέγχθηκε με τις πιο αυστηρές διαδικασίες ελέγχου ποιότητας, θα σας προσφέρει αποδοτικά τις υπηρεσίες της.

Για το σκοπό αυτό, διαβάστε πλήρως αυτές τις οδηγίες χρήσης πριν χρησιμοποιήσετε το προϊόν, και φυλάξτε τις για μελλοντική αναφορά. Αν μεταβιβάσετε το προϊόν, παραδώστε μαζί και τις οδηγίες χρήσης.




Το εγχειρίδιο χρήσης θα σας βοηθήσει να χρησιμοποιήσετε το προϊόν σύντομα και με ασφάλεια.

- Διαβάστε τις οδηγίες χρήσης πριν την εγκατάσταση και τη χρήση του προϊόντος.
- Βεβαιωθείτε ότι έχετε διαβάσει τις οδηγίες ασφαλείας.
- Φυλάξτε το εγχειρίδιο σε εύκολα προσπελάσιμο μέρος γιατί μπορεί να το χρειαστείτε αργότερα.
- Διαβάστε και τα άλλα έγγραφα που συνοδεύουν το προϊόν.

Μην ξεχνάτε ότι αυτές οι οδηγίες χρήσης έχουν εφαρμογή και σε άλλα μοντέλα. Οι διαφορές μεταξύ μοντέλων θα επισημαίνονται στο εγχειρίδιο.

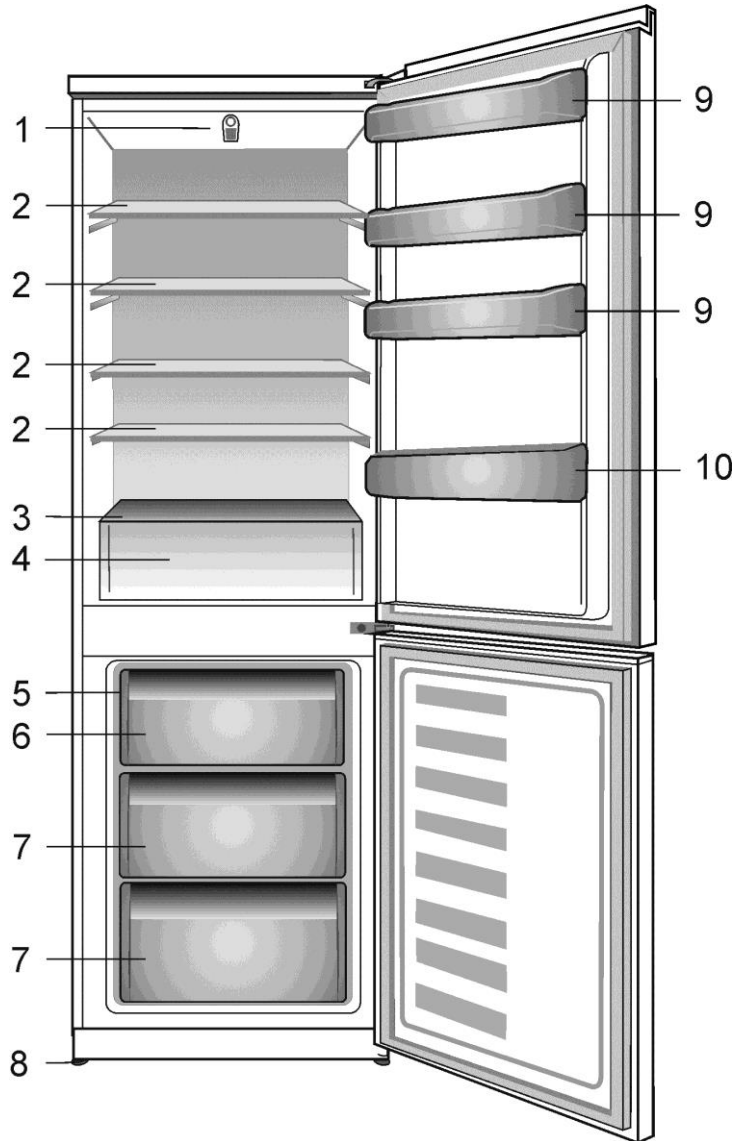
Επεξήγηση των συμβόλων

Σε όλες τις παρούσες οδηγίες χρήσης χρησιμοποιούνται τα εξής σύμβολα:

-  Σημαντικές πληροφορίες ή χρήσιμες συμβουλές.
-  Προειδοποίηση για συνθήκες επικίνδυνες για τη ζωή και την περιουσία.
-  Προειδοποίηση για ηλεκτρική τάση.

1 Το ψυγείο σας	3	4 Προετοιμασία	11
2 Σημαντικές προειδοποιήσεις ασφαλείας	4	5 Χρήση του ψυγείου σας	12
Προβλεπόμενος σκοπός χρήσης	4	Κουμπί ρύθμισης θερμοστάτη	12
Γενικές οδηγίες ασφαλείας	4	Απόψυξη	13
Για προϊόντα με διανομέα νερού	6	Κατάψυξη νωπών τροφίμων	14
Ασφάλεια των παιδιών	6	Συμβουλές για τη διατήρηση κατεψυγμένων τροφίμων	15
Συμμόρφωση με την Οδηγία περί αποβλήτων ηλεκτρικού και ηλεκτρονικού εξοπλισμού (ΑΗΗΕ) και τελική διάθεση του προϊόντος	6	Συμβουλές για το χώρο συντήρησης	15
Πληροφορίες σχετικά με τη συσκευασία	7	Αντιστροφή της φοράς ανοίγματος των πορτών	16
Προειδοποίηση HCA (Για συσκευές Ψύξης - Θέρμανσης)	7	5 Συντήρηση και καθαρισμός	17
Τι πρέπει να κάνετε για εξοικονόμηση ενέργειας	7	Αποφυγή δυσάρεστων οσμών	17
3 Εγκατάσταση	8	Προστασία των πλαστικών επιφανειών	17
Τι πρέπει να προσέχετε κατά την αλλαγή θέσης του ψυγείου	8	6 Αντιμετώπιση προβλημάτων	18
Πριν θέσετε σε λειτουργία το ψυγείο	8		
Ηλεκτρική σύνδεση	9		
Διάθεση των υλικών συσκευασίας	9		
Διάθεση του παλιού σας ψυγείου	9		
Τοποθέτηση και εγκατάσταση	9		
Αντικατάσταση της λάμπας φωτισμού	9		
Ρύθμιση των ποδιών	9		

1 Το ψυγείο σας



- | | |
|---|--|
| 1. Περιστροφικό κουμπί ρύθμισης και εσωτερικό φως | 7. Χώροι φύλαξης κατεψυγμένων τροφίμων |
| 2. Ρυθμιζόμενα ράφια θαλάμου | 8. Ρυθμιζόμενα μπροστινά πόδια |
| 3. Γυαλί καλύμματος | 9. Ράφια για βάζα |
| 4. Συρτάρι λαχανικών | 10. Ράφι για μπουκάλια |
| 5. Στήριγμα θήκης για παγάκια & θήκη για παγάκια | |
| 6. Χώρος ταχείας κατάψυξης | |

*** Προαιρετικός εξοπλισμός**

i Οι εικόνες σ' αυτό το εγχειρίδιο οδηγιών είναι σχηματικές και ενδέχεται να μην ανταποκρίνονται ακριβώς στο προϊόν σας. Αν ορισμένα εξαρτήματα δεν περιλαμβάνονται στο προϊόν που έχετε προμηθευτεί, τότε ισχύουν για άλλα μοντέλα

2 Σημαντικές προειδοποιήσεις ασφαλείας

Παρακαλούμε να μελετήσετε τις πληροφορίες που ακολουθούν. Η μη τήρηση αυτών των πληροφοριών μπορεί να γίνει αιτία τραυματισμών ή υλικών ζημιών.

Αν δεν το κάνετε αυτό, θα καταστεί άκυρη κάθε εγγύηση και κάθε δέσμευση περί αξιοπιστίας.

Η διάρκεια ωφέλιμης ζωής του προϊόντος είναι 10 χρόνια. Σε αυτή τη χρονική περίοδο, θα υπάρχουν διαθέσιμα γνήσια ανταλλακτικά για τη σωστή λειτουργία του προϊόντος.

Προβλεπόμενος σκοπός χρήσης

Το προϊόν αυτό προορίζεται να χρησιμοποιείται

- σε εσωτερικούς χώρους και κλειστές περιοχές όπως είναι τα σπίτια,
- σε κλειστούς χώρους εργασίας όπως καταστήματα και γραφεία,
- σε κλειστούς χώρους ενδιαίτησης όπως αγροτόσπιτα, ξενοδοχεία, πανσιόν.
- Δεν πρέπει να χρησιμοποιείται σε εξωτερικό χώρο.

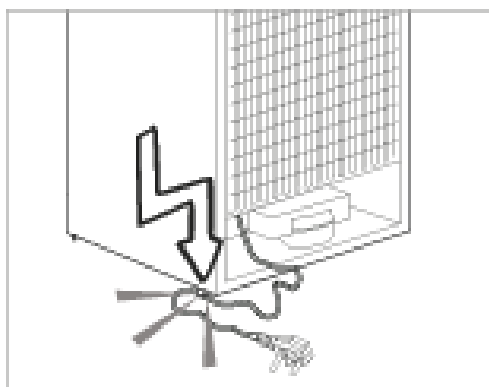
Γενικές οδηγίες ασφαλείας

- Όταν θέλετε να πετάξετε ως άχρηστο ή να ανακυκλώσετε το προϊόν, συνιστούμε για τις απαιτούμενες πληροφορίες να συμβουλευτείτε το εξουσιοδοτημένο σέρβις ή τους αρμόδιους φορείς.
- Να συμβουλευέστε το εξουσιοδοτημένο σέρβις για όλες τις ερωτήσεις και προβλήματα σχετικά με το ψυγείο. Μην επεμβαίνετε και μην αφήνετε οποιονδήποτε άλλον να επέμβει στο ψυγείο χωρίς να ειδοποιήσετε το εξουσιοδοτημένο σέρβις.
- Για προϊόντα με χώρο κατάψυξης: Μην καταναλώνετε παγωτό και παγοκύβους αμέσως μόλις τα βγάλετε από το χώρο της κατάψυξης! (Αυτό μπορεί να προκαλέσει κρουπαγήματα στο στόμα σας.)

- Για προϊόντα με χώρο κατάψυξης: Μην τοποθετείτε στην κατάψυξη ποτά ή αναψυκτικά σε μπουκάλια ή μεταλλικά κουτιά. Αλλιώς, υπάρχει κίνδυνος να σκάσουν.
- Μην αγγίζετε τα παγωμένα τρόφιμα με τα χέρια, γιατί μπορεί να κολλήσουν στο χέρι σας.
- Αποσυνδέετε το ψυγείο από την πρίζα πριν τον καθαρισμό ή την απόψυξη.
- Δεν πρέπει να χρησιμοποιείτε ποτέ ατμό και ατμοποιημένα καθαριστικά υλικά στις διαδικασίες καθαρισμού και απόψυξης του ψυγείου σας. Σε τέτοιες περιπτώσεις, ο ατμός μπορεί να έλθει σε επαφή με τα ηλεκτρικά εξαρτήματα και να γίνει η αιτία βραχυκυκλώματος ή ηλεκτροπληξίας.
- Ποτέ μη χρησιμοποιείτε εξαρτήματα του ψυγείου σας, όπως την πόρτα, ως μέσο στήριξης ή ως σκαλοπάτι.
- Μην χρησιμοποιείτε ηλεκτρικές συσκευές στο εσωτερικό του ψυγείου.
- Μην προξενήσετε ζημιά με εργαλεία διάτρησης ή κοπής στα μέρη της συσκευής όπου κυκλοφορεί το ψυκτικό μέσο. Το ψυκτικό μέσο που μπορεί να εκτιναχθεί αν τρυπήσουν οι δίοδοι αερίου του εξαμιστή, των επεκτάσεων σωλήνων ή των επιφανειακών επικαλύψεων, προκαλεί ερεθισμό στο δέρμα και τραυματισμό στα μάτια.
- Μην καλύπτετε και μην φράσσετε με οποιοδήποτε υλικό τα ανοίγματα αερισμού του ψυγείου σας.
- Οι επισκευές σε ηλεκτρικές συσκευές πρέπει να διεξάγονται μόνο από εξουσιοδοτημένο προσωπικό. Οι επισκευές που γίνονται από αναρμόδια άτομα δημιουργούν κινδύνους για το χρήστη.

- Σε περίπτωση οποιασδήποτε βλάβης ή κατά τη διάρκεια των εργασιών συντήρησης ή επισκευών, να αποσυνδέετε το ψυγείο από την παροχή ηλεκτρικού ρεύματος είτε απενεργοποιώντας τον αντίστοιχο ασφαλειοδιακόπτη είτε βγάζοντας το φως από την πρίζα.
- Για την αποσύνδεση του φως μην τραβάτε το καλώδιο.
- Τοποθετείτε τα ποτά που έχουν σχετικά μεγάλη περιεκτικότητα σε οινόπνευμα σφικτά κλεισμένα και σε κατακόρυφη θέση.
- Ποτέ μην αποθηκεύετε στο ψυγείο μπουκάλια σπρέι που περιέχουν εύφλεκτες και εκρηκτικές ουσίες.
- Μη χρησιμοποιείτε μηχανικές διατάξεις ή άλλα μέσα για να επιταχύνετε τη διαδικασία της απόψυξης, εκτός από τα μέσα που συνιστά ο κατασκευαστής.
- Το προϊόν αυτό δεν προορίζεται για χρήση από άτομα με σωματικά, αντιληπτικά ή διανοητικά προβλήματα ή από άτομα με έλλειψη γνώσεων ή εμπειρίας (περιλαμβανομένων παιδιών), εκτός αν τα άτομα αυτά βρίσκονται υπό την επίβλεψη ατόμου που θα είναι υπεύθυνο για την ασφάλειά τους ή που θα τα καθοδηγεί όπως απαιτείται για τη χρήση του προϊόντος.
- Μη χρησιμοποιήσετε το ψυγείο αν έχει υποστεί βλάβη ή ζημιά. Αν έχετε οποιαδήποτε αμφιβολία συμβουλευτείτε τον αντιπρόσωπο σέρβις.
- Η ηλεκτρική ασφάλεια του ψυγείου σας θα είναι εγγυημένη μόνον αν το σύστημα γείωσης του σπιτιού σας συμμορφώνεται με τα ισχύοντα πρότυπα.
- Η έκθεση του προϊόντος σε βροχή, χιόνι, ήλιο και άνεμο δημιουργεί κινδύνους σε σχέση με την ασφάλεια με το ηλεκτρικό ρεύμα.
- Αν υπάρχει ζημιά στο καλώδιο ρεύματος, για την αποφυγή κινδύνου επικοινωνήστε με το εξουσιοδοτημένο σέρβις.
- Σε καμία περίπτωση μη συνδέσετε το ψυγείο στην πρίζα κατά τη διάρκεια της εγκατάστασης. Αλλιώς, μπορεί να δημιουργηθεί κίνδυνος θανάτου ή σοβαρού τραυματισμού.

- Το ψυγείο αυτό προορίζεται αποκλειστικά για τη φύλαξη τροφίμων. Δεν πρέπει να χρησιμοποιηθεί για οποιονδήποτε άλλο σκοπό.
- Η ετικέτα τεχνικών προδιαγραφών βρίσκεται πάνω στο αριστερό τοίχωμα στο εσωτερικό του ψυγείου.
- Ποτέ μη συνδέσετε το ψυγείο σας σε συστήματα εξοικονόμησης ενέργειας, γιατί αυτά μπορεί να προκαλέσουν ζημιά στο ψυγείο.
- Αν το ψυγείο σας διαθέτει μπλε φως, μην κοιτάζετε το μπλε φως μέσω οπτικών διατάξεων.
- Για ψυγεία με μη αυτόματο σύστημα ελέγχου, μετά από διακοπή ρεύματος περιμένετε τουλάχιστον 5 λεπτά πριν θέσετε πάλι το ψυγείο σε λειτουργία.
- Σε περίπτωση μεταβίβασης, το παρόν εγχειρίδιο χρήσης θα πρέπει να παραδοθεί στον καινούριο ιδιοκτήτη του προϊόντος.
- Αποφύγετε την πρόκληση ζημιάς στο καλώδιο ρεύματος όταν μεταφέρετε το ψυγείο. Αν το καλώδιο τσακίσει μπορεί να προκληθεί πυρκαγιά. Ποτέ μην τοποθετείτε βαριά αντικείμενα πάνω στο καλώδιο ρεύματος.
- Μην αγγίζετε το φως με υγρά χέρια όταν συνδέετε το προϊόν στην πρίζα.



- Μη συνδέσετε το ψυγείο σε πρίζα που δεν είναι καλά στερεωμένη στη θέση της.
- Για λόγους ασφαλείας, δεν πρέπει ποτέ να πεκαζετε νερό σε εσωτερικά ή εξωτερικά μέρη του προϊόντος.

- Για να αποφύγετε τον κίνδυνο πυρκαγιάς και έκρηξης, μην ψεκάζετε κοντά στο ψυγείο υλικά που περιέχουν εύφλεκτα αέρια όπως προπάνιο κ.λ.π.
- Ποτέ μην τοποθετείτε πάνω στο ψυγείο δοχεία που περιέχουν νερό. Σε περίπτωση που χυθούν, μπορεί να προκληθεί ηλεκτροπληξία ή φωτιά.
- Μην υπερφορτώνετε το ψυγείο με πολλά τρόφιμα. Αν υπερφορτωθεί το ψυγείο, όταν ανοίγετε την πόρτα τα τρόφιμα μπορεί να πέσουν και να σας κτυπήσουν ή να προξενήσουν ζημιά στο ψυγείο.
- Ποτέ μην τοποθετείτε αντικείμενα πάνω στο ψυγείο. Διαφορετικά μπορεί να πέσουν όταν ανοίγετε ή κλείνετε την πόρτα του ψυγείου.
- Δεν πρέπει να φυλάσσονται στο ψυγείο εμβόλια, φάρμακα ευαίσθητα στη θερμοκρασία, επιστημονικά υλικά κλπ., επειδή για τη φύλαξή τους απαιτούνται ακριβείς συνθήκες θερμοκρασίας.
- Το ψυγείο θα πρέπει να αποσυνδέεται από το ρεύμα αν δεν πρόκειται να χρησιμοποιηθεί για μεγάλο χρονικό διάστημα. Ένα ενδεχόμενο πρόβλημα στο καλώδιο ρεύματος μπορεί να προκαλέσει πυρκαγιά.
- Τα άκρα του φινιρίσματος πρέπει να καθαρίζονται τακτικά με ένα στεγνό πανί, αλλιώς μπορεί να προκληθεί πυρκαγιά.
- Το ψυγείο μπορεί να μετακινηθεί αν τα ρυθμιζόμενα πόδια δεν έχουν ρυθμιστεί ώστε να έχουν σταθερή επαφή με το δάπεδο. Η σωστή στερέωση των ρυθμιζόμενων ποδιών στο δάπεδο μπορεί να αποτρέψει τη μετακίνηση του ψυγείου.
- Όταν μεταφέρετε το ψυγείο μην το κρατάτε από τη λαβή της πόρτας. Διαφορετικά, αυτή μπορεί να σπάσει.
- Όταν χρειαστεί να εγκαταστήσετε το ψυγείο σας δίπλα σε άλλο ψυγείο ή καταψύκτη, η απόσταση ανάμεσα στις συσκευές θα πρέπει να είναι τουλάχιστον 8 εκ. Διαφορετικά, μπορεί να σχηματιστεί υγρασία στα γειτονικά πλευρικά τοιχώματα.

Για προϊόντα με διανομέα νερού:

Η πίεση του νερού δικτύου πρέπει να είναι τουλάχιστον 1 bar. Η πίεση του δικτύου νερού δεν πρέπει να είναι μεγαλύτερη από 8 bar.

- Χρησιμοποιείτε μόνο πόσιμο νερό.

Ασφάλεια των παιδιών

- Αν το ψυγείο σας διαθέτει κλειδαριά, πρέπει να φυλάτε το κλειδί μακριά από παιδιά.
- Τα παιδιά πρέπει να βρίσκονται υπό επίβλεψη ώστε να μην επεμβαίνουν στο προϊόν.

Συμμόρφωση με την Οδηγία περί αποβλήτων ηλεκτρικού και ηλεκτρονικού εξοπλισμού (ΑΗΗΕ) και τελική διάθεση του προϊόντος



■ Το σύμβολο πάνω στο προϊόν ή στη συσκευασία του δηλώνει ότι δεν επιτρέπεται να πετάξετε το προϊόν αυτό μαζί με τα κοινά οικιακά απορρίμματα. Αντίθετα θα πρέπει να το παραδώσετε στο αρμόδιο σημείο συλλογής για την ανακύκλωση ηλεκτρικών και ηλεκτρονικών συσκευών. Εξασφαλίζοντας τη σωστή απόρριψη του προϊόντος, θα βοηθήσετε στην πρόληψη ενδεχόμενων αρνητικών συνεπειών για το περιβάλλον και την ανθρώπινη υγεία, που αλλιώς θα μπορούσαν να προκληθούν από ακατάλληλο χειρισμό του προϊόντος αυτού ως αποβλήτου. Αν θέλετε να μάθετε περισσότερες λεπτομέρειες σχετικά με την ανακύκλωση αυτού του προϊόντος, απευθυνθείτε στην τοπική σας δημοτική αρχή, στην υπηρεσία αποκομιδής οικιακών απορριμμάτων ή στο κατάστημα όπου προμηθευτήκατε το προϊόν.

Πληροφορίες σχετικά με τη συσκευασία

Τα υλικά συσκευασίας του προϊόντος είναι κατασκευασμένα από ανακυκλώσιμα υλικά σύμφωνα με τους Εθνικούς μας περιβαλλοντικούς κανονισμούς. Μην απορρίπτετε τα υλικά συσκευασίας μαζί με οικιακά ή άλλα απόβλητα. Παραδώστε τα στα σημεία συλλογής υλικών συσκευασίας που έχουν οριστεί από τις τοπικές αρχές.

Μην ξεχνάτε...

Η ανακύκλωση οποιουδήποτε υλικού είναι ζωτικής σημασίας για τη φύση και τους εθνικούς μας πόρους.

Αν θέλετε να συνεισφέρετε στην εκ νέου αξιοποίηση των υλικών συσκευασίας, μπορείτε να συμβουλευτείτε τις τοπικές σας περιβαλλοντικές οργανώσεις ή τις τοπικές σας αρχές.

Προειδοποίηση HCA (Για συσκευές Ψύξης - Θέρμανσης)

Αν το ψυκτικό σύστημα της συσκευής σας περιέχει R600a:

Το αέριο αυτό είναι εύφλεκτο. Για το λόγο αυτό, προσέχετε να μην προκληθεί ζημιά στο ψυκτικό σύστημα και τις σωληνώσεις του κατά τη χρήση και τη μεταφορά της συσκευής. Σε περίπτωση ζημιάς, κρατήστε τη συσκευή σας μακριά από ενδεχόμενες πηγές φωτιάς οι οποίες μπορούν να κάνουν το προϊόν να πιάσει φωτιά και αερίστε το χώρο στον οποίο είναι τοποθετημένη η μονάδα.

Ο τύπος αερίου που χρησιμοποιείται στο προϊόν αναφέρεται στην πινακίδα στοιχείων, πάνω στο αριστερό τοίχωμα στο εσωτερικό του ψυγείου.

Σε καμία περίπτωση μην πετάξετε το προϊόν σε φωτιά.

Τι πρέπει να κάνετε για εξοικονόμηση ενέργειας

- Μην αφήνετε τις πόρτες του ψυγείου σας ανοικτές για μεγάλο χρονικό διάστημα.
 - Μην τοποθετείτε ζεστά φαγητά ή ποτά στο ψυγείο σας.
 - Μην υπερφορτώνετε το ψυγείο σας, ώστε να μην εμποδίζεται η κυκλοφορία αέρα στο εσωτερικό του.
 - Μην τοποθετείτε το ψυγείο σας σε απ' ευθείας ηλιακό φως ή κοντά σε συσκευές που εκπέμπουν θερμότητα όπως φούρνους, πλυντήρια πιάτων ή σώματα θέρμανσης. Διατηρείτε το ψυγείο σας τουλάχιστον 30 εκ. από πηγές θερμότητας και τουλάχιστον 5 εκ. από ηλεκτρικούς φούρνους.
 - Φροντίζετε να διατηρείτε τα τρόφιμα σε κλειστά δοχεία.
 - Μπορείτε να φορτώσετε τη μέγιστη ποσότητα τροφίμων στο χώρο κατάψυξης του ψυγείου αφαιρώντας τα συρτάρια του χώρου κατάψυξης. Η δηλωμένη τιμή κατανάλωσης ενέργειας του ψυγείου προσδιορίστηκε με τα συρτάρια του χώρου κατάψυξης να έχουν αφαιρεθεί. Δεν υπάρχει κίνδυνος από τη χρήση ραφίου ή συρταριού κατάλληλου για τα σχήματα και τα μεγέθη των τροφίμων που πρόκειται να καταψυχθούν.
 - Η απόψυξη των κατεψυγμένων τροφίμων στο χώρο συντήρησης θα προσφέρει και εξοικονόμηση ενέργειας και καλύτερη διατήρηση της ποιότητας των τροφίμων.
- i** Η θερμοκρασία περιβάλλοντος του δωματίου που τοποθετείτε το ψυγείο σας θα πρέπει να είναι τουλάχιστον -15°C . Η λειτουργία του ψυγείου σας σε πιο κρύες συνθήκες από αυτές δεν συνιστάται.
- i** Το εσωτερικό του ψυγείου πρέπει να καθαρίζεται σχολαστικά.

3 Εγκατάσταση

⚠ Αν δεν ληφθούν υπόψη οι πληροφορίες που αναφέρονται στις οδηγίες χρήσης, ο κατασκευαστής θα απαλλάσσεται από κάθε σχετική ευθύνη.

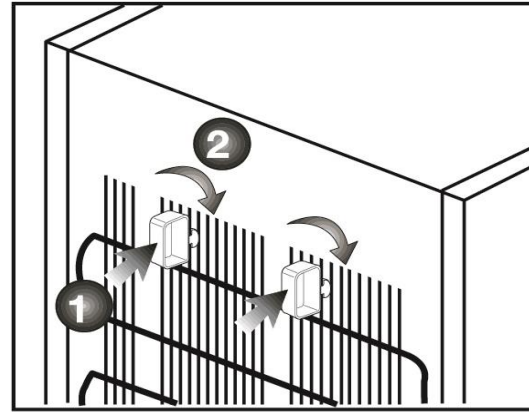
Τι πρέπει να προσέχετε κατά την αλλαγή θέσης του ψυγείου

1. Το ψυγείο πρέπει να έχει αποσυνδεθεί από την πρίζα. Πριν τη μεταφορά του ψυγείου σας, πρέπει να το αδειάσετε και να το καθαρίσετε.
2. Πριν το συσκευάσετε πάλι, πρέπει να στερεώσετε με ταινία και να προστατεύσετε από χτυπήματα τα ράφια, τα αξεσουάρ, τα διαμερίσματα λαχανικών κλπ. στο εσωτερικό του ψυγείου σας. Η συσκευασία θα πρέπει να στερεωθεί με ταινία επαρκούς πάχους ή με ανθεκτικά σχοινιά και πρέπει να τηρηθούν αυστηρά οι κανόνες μεταφοράς που αναφέρονται πάνω στη συσκευασία.
3. Η αρχική συσκευασία και τα αφρώδη υλικά θα πρέπει να φυλαχτούν για μελλοντικές μεταφορές ή μετακόμιση.

Πριν θέσετε σε λειτουργία το ψυγείο,

Ελέγξτε τα εξής πριν αρχίσετε τη χρήση του ψυγείου σας:

1. Τοποθετήστε τις 2 πλαστικές σφήνες όπως δείχνει η παρακάτω εικόνα. Οι πλαστικές σφήνες έχουν σκοπό να διατηρούν την απόσταση που θα διασφαλίσει την κυκλοφορία του αέρα ανάμεσα στο ψυγείο σας και στον τοίχο. (Η εικόνα είναι ενδεικτική και δεν ταυτίζεται απόλυτα με το προϊόν που κατέχετε.)



2. Καθαρίστε το εσωτερικό του ψυγείου όπως συνιστάται στην ενότητα "Συντήρηση και καθαρισμός".
3. Συνδέστε το φις του ψυγείου στην πρίζα στον τοίχο. Όταν ανοίξετε την πόρτα της συντήρησης, θα ανάψει η λάμπα στο εσωτερικό της.
4. Όταν αρχίσει να λειτουργεί ο συμπιεστής, θα ακουστεί ένας ήχος. Το υγρό και τα αέρια που βρίσκονται στο κλειστό κύκλωμα ψύξης μπορεί επίσης να προκαλέσουν θόρυβο, ακόμα και όταν ο συμπιεστής δεν λειτουργεί, πράγμα που είναι φυσιολογικό.
5. Οι μπροστινές ακμές του ψυγείου μπορεί να είναι θερμές στο άγγιγμα. Αυτό είναι φυσιολογικό. Οι περιοχές αυτές έχουν σχεδιαστεί να είναι θερμές ώστε να αποφεύγεται η συμπύκνωση.

Ηλεκτρική σύνδεση

Συνδέστε τη συσκευή σας σε γειωμένη πρίζα η οποία προστατεύεται από ασφάλεια κατάλληλης ονομαστικής τιμής ρεύματος.

Σημαντική παρατήρηση:

Η σύνδεση πρέπει να συμμορφώνεται με τους εθνικούς κανονισμούς.

- Το φως ρευματοληψίας πρέπει να είναι εύκολα προσπελάσιμο μετά την εγκατάσταση.
- Η ηλεκτρική ασφάλεια του ψυγείου σας θα είναι εγγυημένη μόνον αν το σύστημα γείωσης του σπιτιού σας συμμορφώνεται με τα ισχύοντα πρότυπα.
- Η τάση που αναφέρεται στην ετικέτα στην αριστερή εσωτερική πλευρά του προϊόντος πρέπει να συμφωνεί με την τάση δικτύου σας.
- Δεν πρέπει να χρησιμοποιούνται καλώδια επέκτασης και πολύπριζα για τη σύνδεση.

⚠️ Αν ένα καλώδιο ρεύματος έχει υποστεί ζημιά, αυτό πρέπει να αντικατασταθεί από αδειούχο ειδικό τεχνικό.

⚠️ Δεν επιτρέπεται η λειτουργία της συσκευής πριν την επισκευή! Υπάρχει ο κίνδυνος ηλεκτροπληξίας!

Διάθεση των υλικών συσκευασίας

Τα υλικά συσκευασίας μπορεί να είναι επικίνδυνα για τα παιδιά. Κρατάτε τα υλικά συσκευασίας μακριά από παιδιά ή πετάξτε τα αφού τα διαχωρίσετε σύμφωνα με τις οδηγίες για απόβλητα που εκδίδουν οι τοπικές σας αρχές. Μην τα πετάξετε μαζί με τα κανονικά οικιακά απορρίμματα, αλλά στα σημεία συλλογής υλικών συσκευασίας που έχουν καθορίσει οι τοπικές αρχές. Η συσκευασία του ψυγείου σας έχει παραχθεί από ανακυκλώσιμα υλικά.

Τελική διάθεση του παλιού σας ψυγείου

Απορρίψτε το παλιό σας ψυγείο με τρόπο φιλικό προς το περιβάλλον.

- Σχετικά με τον τρόπο απόρριψης του ψυγείου σας μπορείτε να συμβουλευτείτε τον εξουσιοδοτημένο έμπορο που συνεργάζεστε ή τις δημοτικές σας αρχές.

Πριν πετάξετε το ψυγείο σας, κόψτε το φως ρευματοληψίας, και, αν υπάρχουν κλειδαριές σε πόρτες, αχρηστέψτε τις, για την προστασία των παιδιών από οποιονδήποτε κίνδυνο.

Placing and Installation

⚠️ Αν η πόρτα εισόδου του χώρου όπου θα τοποθετηθεί το ψυγείο δεν είναι αρκετά πλατιά για να περάσει το ψυγείο, τότε καλέστε το εξουσιοδοτημένο σέρβις για να αφαιρέσει την πόρτα του ψυγείου σας και να το περάσει μέσα από την πόρτα με το πλάι.

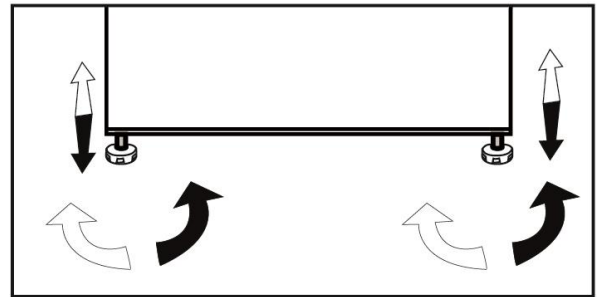
1. Εγκαταστήστε το ψυγείο σε θέση που προσφέρει ευκολία στη χρήση.
2. Κρατήστε το ψυγείο σας μακριά από πηγές θερμότητας, μέρη με υγρασία και από απ' ευθείας ηλιακό φως.
3. Πρέπει να υπάρχει επαρκής κυκλοφορία αέρα γύρω από το ψυγείο σας για να επιτυγχάνεται αποδοτική λειτουργία. Αν το ψυγείο πρέπει να τοποθετηθεί σε εσοχή στον τοίχο, θα πρέπει να υπάρχει ελάχιστη απόσταση 5 εκ. από το ταβάνι και 5 εκ. από τον τοίχο. Μην τοποθετείτε το προϊόν πάνω σε υλικά όπως κιλίμι ή χαλί.
4. Τοποθετήστε το ψυγείο σας σε δάπεδο με επίπεδη επιφάνεια για να αποφευχθούν τα τραντάγματα.

Αντικατάσταση της λάμπας φωτισμού

Για αλλαγή του λαμπτήρα/LED της λάμπας φωτισμού του ψυγείου σας, καλέστε το τοπικό σας εξουσιοδοτημένο σέρβις.

Ρύθμιση των ποδιών

Αν το ψυγείο σας δεν είναι καλά ισορροπημένο: Μπορείτε να ισορροπήσετε το ψυγείο σας περιστρέφοντας τα μπροστινά πόδια του, όπως δείχνει η εικόνα. Η γωνία όπου βρίσκεται το πόδι χαμηλώνει όταν περιστρέφετε το πόδι στην κατεύθυνση του μαύρου βέλους και ανυψώνεται όταν το περιστρέφετε στην αντίθετη κατεύθυνση. Η διαδικασία αυτή θα γίνει πιο εύκολη αν κάποιος σας βοηθήσει ανυψώνοντας ελαφρά το ψυγείο.



4 Προετοιμασί

- Το ψυγείο σας θα πρέπει να εγκατασταθεί σε απόσταση τουλάχιστον 30 εκ. από πηγές θερμότητας όπως εστίες μαγειρέματος, φούρνους, σώματα κεντρικής θέρμανσης και σόμπες και τουλάχιστον 5 εκ. μακριά από ηλεκτρικούς φούρνους και δεν θα πρέπει να τοποθετείται σε μέρη όπου δέχεται απ' ευθείας ηλιακή ακτινοβολία.
- Παρακαλούμε να φροντίζετε να διατηρείτε το εσωτερικό του ψυγείου σας σχολαστικά καθαρό.
- Αν πρέπει να εγκατασταθούν δύο ψυγεία το ένα δίπλα στο άλλο, θα πρέπει να υπάρχει μεταξύ τους απόσταση τουλάχιστον 2 εκ.
- Όταν θέσετε το ψυγείο σε λειτουργία για πρώτη φορά, παρακαλούμε τηρείτε τις ακόλουθες οδηγίες κατά τις αρχικές έξι ώρες.
- Η πόρτα δεν θα πρέπει να ανοίγει συχνά.
- Το ψυγείο θα πρέπει να λειτουργήσει κενό, χωρίς τρόφιμα στο εσωτερικό του.
- Μην αποσυνδέσετε το ψυγείο σας από το ρεύμα. Αν συμβεί μια ανεξέλεγκτη διακοπή ρεύματος, δείτε τις προειδοποιήσεις στην ενότητα "Συνιστώμενες λύσεις για προβλήματα".
- Αυτό το προϊόν έχει σχεδιαστεί για λειτουργία σε θερμοκρασίες περιβάλλοντος έως 43 °C (110 °F).

5 Χρήση του ψυγείου σας

Κουμπί ρύθμισης θερμοστάτη

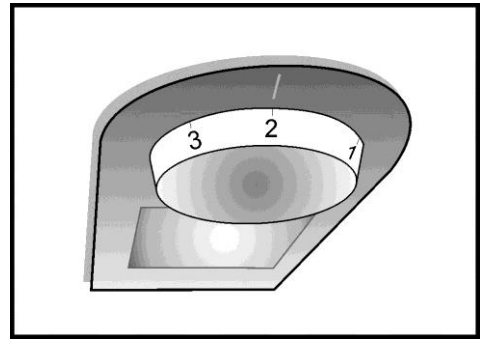
Η εσωτερική θερμοκρασία του ψυγείου σας μεταβάλλεται για τους εξής λόγους:

- εποχική διακύμανση θερμοκρασίας περιβάλλοντος,
- συχνό άνοιγμα και παραμονή ανοικτής της πόρτας για μεγάλα διαστήματα,
- τοποθέτηση στο ψυγείο τροφίμων χωρίς να έχουν ρυώσει πρώτα σε θερμοκρασία περιβάλλοντος,
- θέση του ψυγείου στο δωμάτιο (π.χ. έκθεση σε ηλιακό φως).
- Μπορείτε με το θερμοστάτη να αντισταθμίσετε τη διακύμανση της εσωτερικής θερμοκρασίας εξαιτίας των πιο πάνω αιτίων.

Οι θερμοκρασίες λειτουργίας ελέγχονται από το κουμπί του θερμοστάτη και μπορούν να ρυθμιστούν σε οποιαδήποτε θέση μεταξύ 0 και 5 (η πιο κρύα ρύθμιση).

Η μέση θερμοκρασία στο εσωτερικό του ψυγείου θα πρέπει να είναι περίπου +5 °C (+41 °F). Επομένως, ρυθμίστε το κουμπί του θερμοστάτη ώστε να έχετε την επιθυμητή θερμοκρασία. Ορισμένα τμήματα του ψυγείου μπορεί να είναι πιο κρύα ή πιο ζεστά (όπως το συρτάρι λαχανικών και το πάνω μέρος του θαλάμου) και αυτό είναι κανονικό.

Συνιστούμε να ελέγχετε περιοδικά τη θερμοκρασία με ένα θερμόμετρο για να βεβαιώνετε ότι ο χώρος του θαλάμου διατηρείται στη θερμοκρασία αυτή. Το συχνό άνοιγμα της πόρτας προκαλεί αύξηση της εσωτερικής θερμοκρασίας και γι' αυτό συνιστάται να κλείνετε την πόρτα όσο το δυνατόν πιο σύντομα μετά τη χρήση.



Απόψυξη

A) Χώρος Συντήρησης

Ο χώρος συντήρησης εκτελεί πλήρως αυτόματη απόψυξη. Όταν η θερμοκρασία στο χώρο συντήρησης πέφτει, στο πίσω τοίχωμα του εσωτερικού του μπορεί να δημιουργηθούν σταγονίδια νερού και πάχνη πάχους μέχρι 7-8 χλστ. Το φαινόμενο αυτό είναι φυσιολογικό αποτέλεσμα της λειτουργίας του συστήματος ψύξης. Η πάχνη που δημιουργείται αποψύχεται με την εκτέλεση αυτόματης απόψυξης σε ορισμένα διαστήματα, χάρη στο σύστημα αυτόματης απόψυξης στο πίσω τοίχωμα. Έτσι ο χρήστης δεν χρειάζεται να ξύνει την πάχνη ή να απομακρύνει τα σταγονίδια νερού. Το νερό που παράγεται κατά την απόψυξη περνάει από την αυλάκωση συλλογής νερού και μέσα από το σωλήνα αποστράγγισης ρέει ως τον εξαμιστή όπου εξατμίζεται αυτόματα. Ελέγχετε τακτικά μήπως ο σωλήνας αποστράγγισης είναι φραγμένος και καθαρίστε τον, αν χρειάζεται, με το ραβδάκι που βρίσκεται στην οπή. Ο χώρος βαθιάς κατάψυξης δεν εκτελεί αυτόματη απόψυξη, ώστε να αποφευχθεί η αλλοίωση των τροφίμων.

B) Χώρος Κατάψυξης

Η απόψυξη γίνεται με πολύ απλό τρόπο και χωρίς να δημιουργείται ακαταστασία, χάρη στην ειδική λεκάνη συλλογής νερού απόψυξης.

Κάνετε απόψυξη δύο φορές το χρόνο ή όταν έχει σχηματιστεί στρώμα πάχνης περίπου 7 χιλιοστών (1/4"). Για να ξεκινήσετε τη διαδικασία της απόψυξης, διακόψτε την παροχή ρεύματος στην πρίζα και τραβήξτε το φισ από την πρίζα. Θα πρέπει να τυλίξετε όλα τα τρόφιμα σε αρκετές στρώσεις εφημερίδας και να τα φυλάξετε σε δροσερό μέρος (π.χ. ψυγείο ή κελάρι).

Μπορείτε προσεκτικά να τοποθετήσετε δοχεία με χλιαρό νερό στην κατάψυξη για να επιταχύνετε την απόψυξη.

Μη χρησιμοποιείτε μυτερά ή αιχμηρά αντικείμενα όπως μαχαίρια ή πιρούνια για να αφαιρέσετε την πάχνη.

Ποτέ μη χρησιμοποιήσετε για την απόψυξη πιστολάκια μαλλιών, ηλεκτρικές συσκευές θέρμανσης ή άλλες παρόμοιες ηλεκτρικές συσκευές.

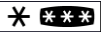
Σκουπίστε με ένα σφουγγάρι το νερό απόψυξης που συλλέγεται στο κάτω μέρος του χώρου κατάψυξης.

Μετά την απόψυξη, στεγνώστε καλά το εσωτερικό του χώρου. Συνδέστε το φισ στην πρίζα και ενεργοποιήστε την παροχή ρεύματος.

Κατάψυξη νωπών τροφίμων

- Θα πρέπει να προτιμάτε να τυλίγετε ή να καλύπτετε τα τρόφιμα πριν τα τοποθετήσετε στο ψυγείο.
- Αφήνετε τα ζεστά τρόφιμα να κρυώνουν σε θερμοκρασία δωματίου πριν τα τοποθετήσετε στο ψυγείο.
- Τα τρόφιμα που θέλετε να καταψύξετε θα πρέπει να είναι φρέσκα και καλής ποιότητας.
- Τα τρόφιμα πρέπει να χωρίζονται σε μερίδες ανάλογα με τις καθημερινές ή ανά γεύμα ανάγκες της οικογένειας.
- Τα τρόφιμα θα πρέπει να συσκευάζονται με αεροστεγή τρόπο για να εμποδίζεται να ξηραίνονται ακόμα και αν πρόκειται να διατηρηθούν στο ψυγείο για σύντομο χρονικό διάστημα.
- Τα υλικά για τη συσκευασία θα πρέπει να είναι ανθεκτικά σε σχίσιμο και σε χαμηλές θερμοκρασίες, υγρασία, οσμές, λάδια και οξέα και επίσης θα πρέπει να είναι αεροστεγή. Επιπλέον θα πρέπει να είναι καλά κλεισμένα και να είναι κατασκευασμένα από εύχρηστα υλικά που είναι κατάλληλα για χρήση σε συνθήκες βαθιάς κατάψυξης.
- Τα κατεψυγμένα τρόφιμα πρέπει να χρησιμοποιούνται άμεσα μετά την απόψυξή τους και ποτέ δεν θα πρέπει να καταψύχονται πάλι.
- Παρακαλούμε τηρείτε τις ακόλουθες οδηγίες για να επιτύχετε τα καλύτερα αποτελέσματα.
 1. Μην καταψύχετε με τη μία πολύ μεγάλη ποσότητα τροφίμων. Η ποιότητα των τροφίμων διατηρείται καλύτερα αν αυτά καταψυχθούν ως τον πυρήνα τους όσο το δυνατόν συντομότερα.
 2. Η τοποθέτηση ζεστού φαγητού στο χώρο κατάψυξης προκαλεί συνεχή λειτουργία του συστήματος ψύξης έως ότου το φαγητό έχει παγώσει τελείως.
 3. Φροντίζετε ιδιαίτερα να μην αναμιγνύετε ήδη κατεψυγμένα και νωπά τρόφιμα.
- Αφήνετε τα ζεστά τρόφιμα να κρυώνουν σε θερμοκρασία δωματίου πριν τα τοποθετήσετε στο ψυγείο.
- Ο μέγιστος χώρος αποθήκευσης κατεψυγμένων τροφίμων επιτυγχάνεται όταν δεν χρησιμοποιούνται τα συρτάρια και το κάλυμμα πάνω ραφιού στο χώρο της κατάψυξης. Η αναφερόμενη τιμή κατανάλωσης ενέργειας της συσκευής σας αφορά πλήρες φορτίο στο χώρο κατάψυξης χωρίς χρήση των συρταριών και του καλύμματος πάνω ραφιού.
- Αν υπάρξει διακοπή ρεύματος, μην ανοίγετε την πόρτα του χώρου κατάψυξης. Τα κατεψυγμένα τρόφιμα δεν θα επηρεαστούν ακόμα και αν η διακοπή ρεύματος διαρκέσει ως το "Χρόνο αύξησης θερμοκρασίας" που αναφέρεται στην ενότητα "Τεχνικές προδιαγραφές του ψυγείου σας". Σε περίπτωση που η διακοπή διαρκέσει περισσότερο, τα τρόφιμα θα πρέπει να ελεγχθούν και, αν είναι απαραίτητο, να καταναλωθούν άμεσα ή να καταψυχθούν πάλι αφού μαγειρευτούν.
- Όταν αγοράζετε τρόφιμα, προσέχετε την ημερομηνία λήξης, το μέγιστο επιτρεπόμενο χρόνο αποθήκευσης και τη συνιστώμενη θερμοκρασία αποθήκευσης των τροφίμων. Αν έχει περάσει η ημερομηνία λήξης μην τα καταναλώνετε.

Συμβουλές για τη διατήρηση κατεψυγμένων τροφίμων

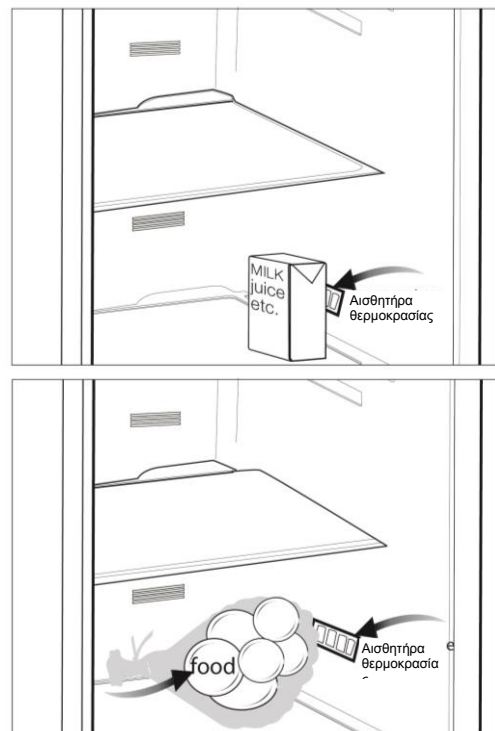
Τα προσσκευασμένα κατεψυγμένα τρόφιμα του εμπορίου θα πρέπει να διατηρούνται σύμφωνα με τις οδηγίες του κατασκευαστή των κατεψυγμένων τροφίμων για χώρο συντήρησης κατεψυγμένων τροφίμων τύπου  (4 αστέρων).

- Για να εξασφαλίσετε ότι θα διατηρηθεί η υψηλή ποιότητα η οποία επιτυγχάνεται από τον κατασκευαστή των κατεψυγμένων τροφίμων και το κατάστημα πώλησης τροφίμων, θα πρέπει να θυμάστε τα ακόλουθα:
 1. Τοποθετείτε τις συσκευασίες στο χώρο κατάψυξης όσο το δυνατόν συντομότερα μετά την αγορά.
 2. Βεβαιωθείτε ότι τα περιεχόμενα φέρουν σήμανση με το είδος και την ημερομηνία.
 3. Μην υπερβαίνετε τις ημερομηνίες λήξης "Κατανάλωση έως", "Καλύτερο πριν" που βρίσκονται πάνω στη συσκευασία.

Συμβουλές για το χώρο συντήρησης

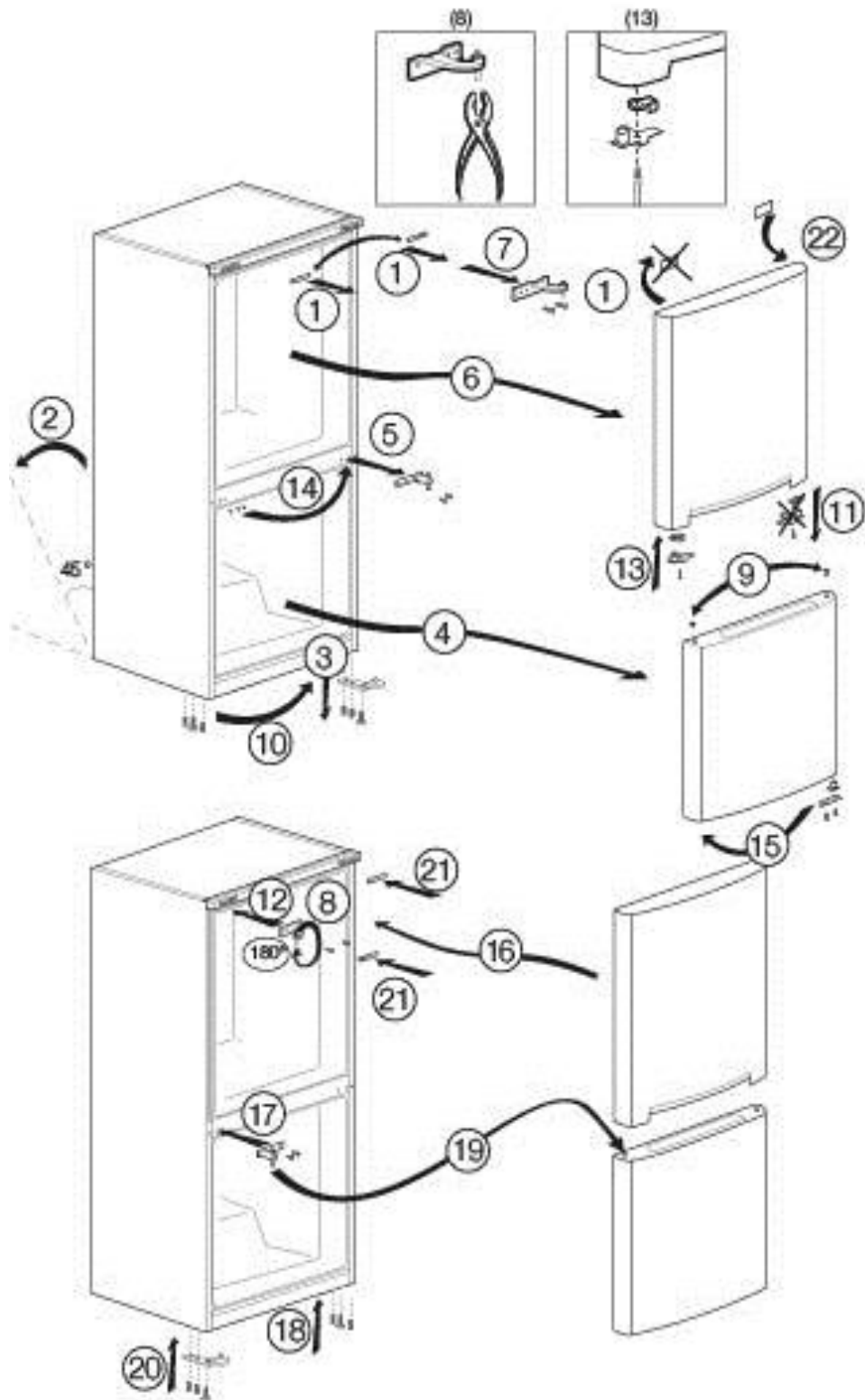
* προαιρετικός εξοπλισμός

- Μην επιτρέπτε να έρχονται τα τρόφιμα σε επαφή με τον αισθητήρα θερμοκρασίας στο χώρο συντήρησης. Για να μπορεί ο χώρος συντήρησης να διατηρεί την ιδανική θερμοκρασία φύλαξης τροφίμων, ο αισθητήρας δεν πρέπει να εμποδίζεται από τρόφιμα.
- Μην τοποθετείτε ζεστά τρόφιμα μέσα στη συσκευή.













Αντιστροφή της φοράς ανοίγματος των πορτών

Προχωρήστε σύμφωνα με την αριθμητική σειρά



6 Συντήρηση και καθαρισμός

-  Ποτέ μη χρησιμοποιήσετε βενζίνη ή παρόμοια συστατικά για τον καθαρισμό.
-  Συνιστούμε να αποσυνδέετε τη συσκευή από την πρίζα πριν τον καθαρισμό.
-  Ποτέ μη χρησιμοποιείτε για τον καθαρισμό οποιοδήποτε αιχμηρό όργανο που χαράζει, σαπούνι, οικιακά καθαριστικά, απορρυπαντικά και γυαλιστικά κεριού.
-  Για να καθαρίσετε το περίβλημα του ψυγείου σας, χρησιμοποιήστε χλιαρό νερό και κατόπιν σκουπίστε το για να στεγνώσει.
-  Για να καθαρίσετε το εσωτερικό, χρησιμοποιήστε πανί που έχει υγρανθεί σε διάλυμα από μια κουταλιά του γλυκού μαγειρικής σόδας σε περίπου μισό λίτρο νερού. Κατόπιν σκουπίστε τις επιφάνειες για να στεγνώσουν.
-  Φροντίστε απαραίτητα να μην εισέλθει νερό στο περίβλημα της λάμπας και σε άλλα ηλεκτρικά εξαρτήματα.
-  Αν το ψυγείο σας δεν πρόκειται να χρησιμοποιηθεί για μεγάλη χρονική περίοδο, αποσυνδέστε το καλώδιο ρεύματος από την πρίζα, αφαιρέστε όλα τα τρόφιμα, καθαρίστε το και αφήστε την πόρτα μισάνοιχτη..
-  Ελέγχετε τακτικά τις στεγανοποιήσεις στις πόρτες για να βεβαιώνετε ότι είναι καθαρές και απαλλαγμένες από σωματίδια τροφίμων.
-  Για να αφαιρέσετε ένα ράφι πόρτας, αφαιρέστε όλα τα περιεχόμενα και κατόπιν απλά σπρώξτε το ράφι προς τα πάνω ώστε να βγει από τη βάση του.

 Ποτέ μη χρησιμοποιείτε καθαριστικούς παράγοντες ή νερό που περιέχει χλώριο για να καθαρίσετε τις εξωτερικές επιφάνειες και τα επιχρωμιωμένα εξαρτήματα του προϊόντος. Το χλώριο προκαλεί διάβρωση σε μεταλλικές επιφάνειες αυτού του είδους.

Αποφυγή δυσάρεστων οσμών

Για την κατασκευή των ψυγείων μας δεν χρησιμοποιούνται υλικά που μπορεί να παράγουν οσμές. Ωστόσο, λόγω ακατάλληλων συνθηκών φύλαξης των τροφίμων και μη καθαρισμού της εσωτερικής επιφάνειας του ψυγείου όπως απαιτείται, μπορεί να προκύψει πρόβλημα οσμής. Προσέξτε τα παρακάτω σημεία για να αποφύγετε αυτό το πρόβλημα:


- Είναι σημαντικό να διατηρείτε το ψυγείο καθαρό.

Τα κατάλοιπα τροφίμων, οι κηλίδες κλπ. μπορούν να προκαλέσουν την ανάπτυξη οσμής. Για το λόγο αυτό, καθαρίζετε το ψυγείο κάθε 15 ημέρες χρησιμοποιώντας διάλυμα μαγειρικής σόδας σε νερό. Ποτέ μη χρησιμοποιείτε απορρυπαντικά ή σαπούνι.

- Διατηρείτε τα τρόφιμα σε κλειστά δοχεία. Η μικροοργανισμοί που προέρχονται από ακάλυπτα δοχεία μπορούν να προκαλέσουν δυσάρεστες οσμές.

- Ποτέ μη διατηρείτε στο ψυγείο τρόφιμα που έχουν λήξει και είναι αλλοιωμένα.

Προστασία των πλαστικών επιφανειών

 Μην τοποθετείτε υγρά λάδια ή φαγητά μαγειρεμένα σε λάδι στο ψυγείο σας σε μη σφραγισμένα δοχεία, επειδή προξενούν βλάβες στις πλαστικές επιφάνειες του ψυγείου σας. Σε περίπτωση που χυθεί ή αλειφτεί λάδι στις πλαστικές επιφάνειες, αμέσως καθαρίστε και ξεπλύνετε το επηρεαζόμενο μέρος της επιφάνειας με χλιαρό νερό.

7 Αντιμετώπιση προβλημάτων

Παρακαλούμε να συμβουλευτείτε αυτή τη λίστα πριν καλέσετε το σέρβις. Έτσι μπορείτε να εξοικονομήσετε χρόνο και χρήματα. Η λίστα αυτή περιλαμβάνει συχνά παράπονα που δεν είναι αποτέλεσμα ελαττωμάτων της κατασκευής ή των χρησιμοποιούμενων υλικών. Ορισμένες από τις δυνατότητες που περιγράφονται εδώ ίσως να μην υπάρχουν στη συσκευή σας.

Το ψυγείο δεν λειτουργεί.

- Το φως δεν έχει τοποθετηθεί σωστά στην πρίζα. >>>Τοποθετήστε το φως σφιχτά στην πρίζα.
- Έχει καεί η ασφάλεια της πρίζας στην οποία έχει συνδεθεί το ψυγείο σας ή η γενική ασφάλεια. >>>Ελέγξτε την ασφάλεια.

Συμπύκνωση στα πλευρικά τοιχώματα του χώρου συντήρησης (Πολλαπλή Ζώνη, Έλεγχος Ψύξης και Ευέλικτη Ζώνη).

- Η θερμοκρασία περιβάλλοντος είναι πολύ χαμηλή. >>>Μην εγκαθιστάτε το ψυγείο σας σε μέρη όπου η θερμοκρασία πέφτει κάτω από τους 10 °C.
- Η πόρτα ανοιγόταν συχνά. >>>Μην ανοίγετε και κλείνετε συχνά την πόρτα του ψυγείου.
- Η υγρασία του περιβάλλοντος είναι πολύ υψηλή. >>>Μην τοποθετείτε το ψυγείο σας σε μέρη με πολλή υγρασία.
- Τρόφιμα που περιέχουν υγρό έχουν αποθηκευτεί σε ανοικτά δοχεία. >>>Μην αποθηκεύετε τρόφιμα με υγρά σε ανοικτά δοχεία.
- Η πόρτα του ψυγείου έμεινε μισάνοιχτη. >>>Κλείστε την πόρτα του ψυγείου.
- Ο θερμοστάτης είναι ρυθμισμένος σε πολύ κρύο επίπεδο. >>>Ρυθμίστε το θερμοστάτη σε κατάλληλο επίπεδο.

Ο συμπιεστής δεν λειτουργεί

- Το προστατευτικό θερμικό του συμπιεστή θα ενεργοποιηθεί σε περίπτωση ξαφνικών διακοπών ρεύματος ή αν η συσκευή αποσυνδεθεί και συνδεθεί γρήγορα στο ρεύμα, όταν η πίεση του ψυκτικού μέσου στο σύστημα ψύξης του ψυγείου δεν έχει εξισορροπηθεί ακόμα. Το ψυγείο θα αρχίσει να λειτουργεί μετά από περίπου 6 λεπτά. Παρακαλούμε καλέστε το σέρβις αν το ψυγείο σας δεν ξεκινήσει στο τέλος αυτού του χρονικού διαστήματος.
- Το ψυγείο βρίσκεται σε κύκλο απόψυξης. >>>Αυτό είναι φυσιολογικό για ψυγείο με πλήρως αυτόματη απόψυξη. Ο κύκλος απόψυξης λαμβάνει χώρα περιοδικά.
- Το ψυγείο δεν έχει συνδεθεί στην πρίζα. >>>Βεβαιωθείτε ότι το φως έχει τοποθετηθεί σωστά στην πρίζα.
- Οι ρυθμίσεις θερμοκρασίας δεν έχουν γίνει σωστά. >>>Επιλέξτε την κατάλληλη τιμή θερμοκρασίας.
- Υπάρχει διακοπή ρεύματος. >>>Το ψυγείο επιστρέφει στην κανονική λειτουργία όταν αποκατασταθεί η παροχή ρεύματος.

Ο θόρυβος λειτουργίας αυξάνεται όταν λειτουργεί το ψυγείο.

- Η απόδοση λειτουργίας του ψυγείου μπορεί να διαφέρει λόγω μεταβολών στη θερμοκρασία περιβάλλοντος. Το φαινόμενο είναι φυσιολογικό και δεν αποτελεί ένδειξη δυσλειτουργίας.

Το ψυγείο ενεργοποιείται συχνά ή για πολλή ώρα.

- Η νέα συσκευή μπορεί να είναι πλατύτερη από την προηγούμενη. Τα μεγαλύτερα ψυγεία λειτουργούν για μεγαλύτερο χρονικό διάστημα.
- Η θερμοκρασία περιβάλλοντος μπορεί να είναι υψηλή. >>>Είναι φυσικό το προϊόν να λειτουργεί για μεγαλύτερα χρονικά διαστήματα όταν είναι ζεστό το περιβάλλον.
- Το ψυγείο ίσως συνδέθηκε στην πρίζα πρόσφατα ή μπορεί να έχει φορτωθεί με πολλά τρόφιμα.
>>>Αν το ψυγείο συνδέθηκε στο ρεύμα ή φορτώθηκε με τρόφιμα μόλις πρόσφατα, θα χρειαστεί περισσότερος χρόνος για την επίτευξη της ρυθμισμένη θερμοκρασίας. Αυτό είναι φυσιολογικό.
- Μπορεί πρόσφατα να τοποθετήθηκαν στο ψυγείο μεγάλες ποσότητες ζεστών τροφίμων. >>>Μην τοποθετείτε ζεστά τρόφιμα στο ψυγείο.
- Οι πόρτες μπορεί να ανοίγονταν συχνά ή να έμειναν μισάνοιχτες για πολλή ώρα.
>>>Ο θερμός αέρας που έχει εισέλθει στο ψυγείο προκαλεί τη λειτουργία του ψυγείου για μεγαλύτερες χρονικές περιόδους. Μην ανοίγετε συχνά τις πόρτες.
- Η πόρτα του χώρου κατάψυξης ή συντήρησης μπορεί να έχει μείνει μισάνοιχτη.
>>>Ελέγξτε αν έχουν κλείσει καλά οι πόρτες.
- Το ψυγείο έχει ρυθμιστεί σε πολύ χαμηλή θερμοκρασία. >>>Ρυθμίστε τη θερμοκρασία του ψυγείου σε υψηλότερο επίπεδο και περιμένετε έως ότου επιτευχθεί αυτή η θερμοκρασία.
- Η στεγανοποίηση πόρτας της συντήρησης ή κατάψυξης μπορεί να είναι λερωμένη, φθαρμένη, σπασμένη ή να μην εφαρμόζει καλά. >>>Καθαρίστε ή αντικαταστήστε τη στεγανοποίηση. Αν υπάρχει ζημιά/ σπάσιμο στη στεγανοποίηση της πόρτας, μπορεί να προκληθεί λειτουργία του ψυγείου για μεγαλύτερες περιόδους για να διατηρείται η τρέχουσα θερμοκρασία.

Η θερμοκρασία της κατάψυξης είναι πολύ χαμηλή ενώ η θερμοκρασία της συντήρησης είναι επαρκής.

- Η θερμοκρασία της κατάψυξης έχει ρυθμιστεί σε πολύ χαμηλή τιμή. >>>Ρυθμίστε τη θερμοκρασία κατάψυξης σε υψηλότερο επίπεδο και ελέγξτε.

Η θερμοκρασία της συντήρησης είναι πολύ χαμηλή ενώ η θερμοκρασία της κατάψυξης είναι επαρκής.

- Η θερμοκρασία της συντήρησης έχει ρυθμιστεί σε πολύ χαμηλή τιμή. >>>Ρυθμίστε τη θερμοκρασία συντήρησης σε υψηλότερο επίπεδο και ελέγξτε.

Τα τρόφιμα στα συρτάρια του χώρου συντήρησης είναι παγωμένα.

- Η θερμοκρασία της συντήρησης έχει ρυθμιστεί σε πολύ υψηλή τιμή. >>>Ρυθμίστε τη θερμοκρασία συντήρησης σε χαμηλότερο επίπεδο και ελέγξτε.

Η θερμοκρασία στη συντήρηση ή την κατάψυξη είναι πολύ υψηλή.

- Η θερμοκρασία συντήρησης έχει ρυθμιστεί σε πολύ υψηλή τιμή. >>>Η ρύθμιση θερμοκρασίας του χώρου συντήρησης επηρεάζει τη θερμοκρασία της κατάψυξης. Αλλάξτε τις θερμοκρασίες του χώρου συντήρησης ή κατάψυξης και περιμένετε έως ότου οι αντίστοιχοι χώροι επιτύχουν το επαρκές επίπεδο θερμοκρασίας.
- Οι πόρτες ανοίγονταν συχνά ή παρέμειναν μισάνοιχτες για μεγάλο χρονικό διάστημα. >>>Μην ανοίγετε συχνά τις πόρτες.
- Η πόρτα είναι μισάνοιχτη. >>>Κλείστε καλά την πόρτα.
- Το ψυγείο συνδέθηκε στο ρεύμα ή φορτώθηκε με τρόφιμα μόλις πρόσφατα. >>>Αυτό είναι φυσιολογικό. Αν το ψυγείο συνδέθηκε στο ρεύμα ή φορτώθηκε με τρόφιμα μόλις πρόσφατα, θα χρειαστεί περισσότερος χρόνος για την επίτευξη της ρυθμισμένη θερμοκρασίας.
- Μπορεί πρόσφατα να τοποθετήθηκαν στο ψυγείο μεγάλες ποσότητες ζεστών τροφίμων. >>>Μην τοποθετείτε ζεστά τρόφιμα στο ψυγείο.

Κραδασμοί ή θόρυβος.
<ul style="list-style-type: none"> • Το δάπεδο δεν είναι επίπεδο ή σταθερό. >>> Αν το ψυγείο ταλαντεύεται όταν μετακινηθεί ελαφρά, ισορροπήστε το ρυθμίζοντας τα πόδια του. Επίσης βεβαιωθείτε ότι το δάπεδο είναι αρκετά ανθεκτικό να φέρει το βάρος του ψυγείου, και οριζόντιο. • Τα αντικείμενα που έχουν τοποθετηθεί πάνω στο ψυγείο μπορεί να προκαλούν θόρυβο. >>>Αφαιρέστε τα αντικείμενα από πάνω από το ψυγείο.
Υπάρχουν θόρυβοι από το ψυγείο σαν ροής ή ψεκασμού υγρού.
<ul style="list-style-type: none"> • Η ροή υγρού και αερίου είναι σύμφωνη με την αρχή λειτουργίας του ψυγείου σας. Το φαινόμενο είναι φυσιολογικό και δεν αποτελεί ένδειξη δυσλειτουργίας.
Από το ψυγείο έρχεται ήχος σφυρίγματος.
<ul style="list-style-type: none"> • Χρησιμοποιούνται ανεμιστήρες για την ψύξη του ψυγείου. Το φαινόμενο είναι φυσιολογικό και δεν αποτελεί ένδειξη δυσλειτουργίας.
Συμπύκνωση στα εσωτερικά τοιχώματα του ψυγείου.
<ul style="list-style-type: none"> • Ο ζεστός και υγρός καιρός αυξάνει το σχηματισμό πάγου και συμπύκνωσης. Το φαινόμενο είναι φυσιολογικό και δεν αποτελεί ένδειξη δυσλειτουργίας. • Οι πόρτες ανοίγονταν συχνά ή παρέμειναν μισάνοιχτες για μεγάλο χρονικό διάστημα. >>>Μην ανοίγετε συχνά τις πόρτες. Κλείστε τις αν είναι ανοικτές. • Η πόρτα είναι μισάνοιχτη. >>>Κλείστε καλά την πόρτα.
Εμφανίζεται υγρασία στο εξωτερικό του ψυγείου ή ανάμεσα στις πόρτες.
<ul style="list-style-type: none"> • Ίσως να υπάρχει υγρασία στον αέρα. Αυτό είναι πολύ φυσιολογικό όταν ο καιρός είναι υγρός. Όταν η υγρασία είναι μικρότερη, η συμπύκνωση θα πάψει να εμφανίζεται.
Δυσσομία στο εσωτερικό του ψυγείου.
<ul style="list-style-type: none"> • Δεν γίνεται τακτικός καθαρισμός. >>>Καθαρίζετε το εσωτερικό του ψυγείου τακτικά με ένα σφουγγάρι, χλιαρό νερό ή διάλυμα μαγειρικής σόδας σε νερό. • Ίσως η οσμή να προκαλείται από ορισμένα δοχεία ή υλικά συσκευασίας. >>>Χρησιμοποιήστε διαφορετικό δοχείο ή διαφορετική μάρκα υλικών συσκευασίας. • Τοποθετήθηκαν στο ψυγείο τρόφιμα σε ακάλυπτα δοχεία. >>>Διατηρείτε τα τρόφιμα σε κλειστά δοχεία. Η μικροοργανισμοί που προέρχονται από ακάλυπτα δοχεία μπορούν να προκαλέσουν δυσάρεστες οσμές. • Αφαιρείτε από το ψυγείο τα τρόφιμα που έχουν λήξει και είναι χαλασμένα.
Η πόρτα δεν κλείνει.
<ul style="list-style-type: none"> • Συσκευασίες τροφίμων εμποδίζουν το κλείσιμο της πόρτας. >>>Μετατοπίστε τις συσκευασίες που εμποδίζουν την πόρτα. • Το ψυγείο δεν στέκεται εντελώς κατακόρυφα στο δάπεδο. >>>Ρυθμίστε τα πόδια για να ισορροπήσετε το ψυγείο. • Το δάπεδο δεν είναι οριζόντιο ή ανθεκτικό. >>>Βεβαιωθείτε ότι το δάπεδο είναι οριζόντιο και ικανό να φέρει το βάρος του ψυγείου.
Τα συρτάρια λαχανικών έχουν κολλήσει.
<ul style="list-style-type: none"> • Τα τρόφιμα μπορεί να είναι σε επαφή με την οροφή του συρταριού. >>>Τακτοποιήστε καλύτερα τα τρόφιμα μέσα στο συρτάρι.

Моля, първо да прочетете това ръководство!

Уважаеми клиенти,

Надяваме се, че вашият продукт, произведен в съвременни фабрики и проверен при най-стриктни процедури за контрол на качеството, ще ви осигури ефективна работа.

Ето защо, преди да използвате продукта, прочетете цялото ръководство за употреба внимателно и го запазете за справка в бъдеще. Ако предоставяте продукта на някой друг, дайте му и ръководството за употреба.

Това ръководство ще ви помогне да използвате уреда по най-бърз и безопасен начин.

- Прочетете ръководството преди да монтирате и да работите с уреда.
- Уверете се, че сте прочели инструкциите за безопасност.
- Пазете ръководството на лесно достъпно място, тъй като може да ви потрябва на по-късен етап.
- Прочетете и останалите документи, предоставени ви с продукта.

Помнете, че това ръководство за употреба може да се отнася за няколко модела. Разликите между моделите са посочени в ръководството.

Легенда на символите

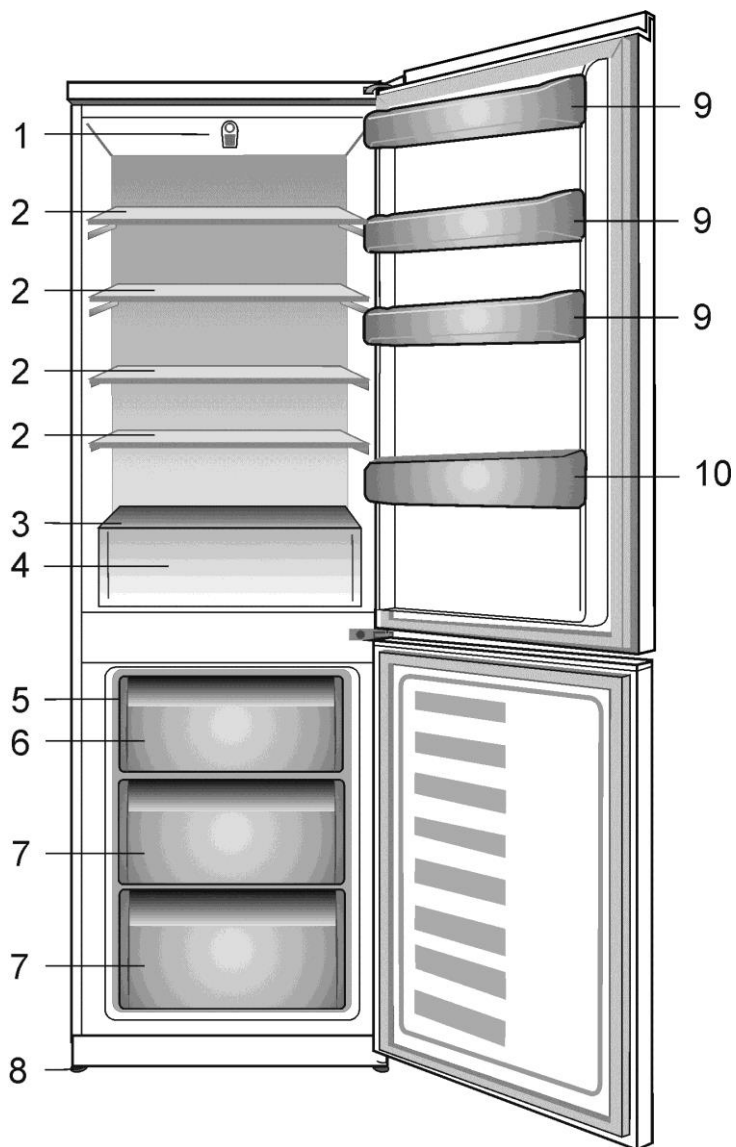
В ръководството са използвани следните символи:

- ⓘ Важна информация или полезни съвети за употреба.
- ⚠ Предупреждения при опасност за живота или имуществото.
- ⚡ Предупреждения за електрическо напрежение.

СЪДЪРЖАНИЕ

1 Вашият хладилник	3	4 Подготовка	11
2 Важни предупреждения относно безопасността	4	5 Употреба на вашия хладилник	12
Предназначение	4	Бутон за настройка на термостата .	12
Обща безопасност	4	Размразяване	13
За продукт с воден диспенсер	6	Замразяване на пресни продукти...	14
Защита от деца	6	Препоръки за съхранение на замразени храни	15
Съвместимост с Директивата за изхвърляне на отпадъчни продукти ..	6	Препоръки за отделението за.....	15
Информация за опаковъчните материали	7	Обръщане на вратите	16
Предупреждение на Агенцията по здравеопазване	7	6 Поддръжка и почистване	17
Каво да направите, за да пестите енергия.....	7	Предпазване от лоши миризми	17
3 Монтаж	8	Предпазване на пластмасовите повърхности	17
Неща, на които да обърнете внимание, когато местите хладилника.....	8	7 Отстраняване на проблеми	18
Преди да пуснете хладилника.....	8		
Електрическо свързване	9		
Изхвърляне на опаковъчните материали	9		
Изхвърляне на стария ви хладилник	9		
Поставяне и монтиране	9		
Подмяна на осветителната лампа	9		
Регулиране на крачетата	9		

1 Вашият хладилник



- | | |
|---|-------------------------------|
| 1. Настройка на селектора и вътрешното осветление | 8. Регулируеми предни крачета |
| 2. Регулируеми рафтове за корпуса | 9. Рафт за буркани |
| 3. Корица стъкло | 10. Рафт за бутилки |
| 4. Контейнери за салати | |
| 5. Подложка за тавичката за лед и тавичка за лед | |
| 6. Отделение за бързо замразяване | |
| 7. Отделения за съхранение на замразени храни | |

* По избор

i Фигурите, в настоящето ръководство за употреба, са схематични и може да не отговарят точно на вашия уред. Ако споменатите части липсват във вашия уред, то те важат за други модели.

Моля, прегледайте следната информация. Неспазването на тази информация може да доведе до наранявания или материални щети. В противен случай всякаква гаранция и отговорност стават невалидни. Животът на вашия продукт е 10 години. През този период, за да работи правилно продуктът, ще се предлагат оригинални резервни части.

Предназначение

Този продукт е предназначен да се използва в закрити помещения, като например къщи;

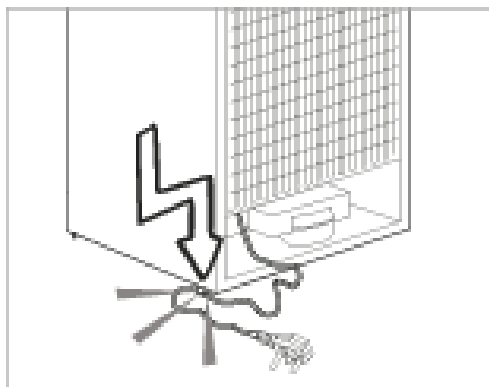
- в затворена работна среда като например магазин и офиси;
- в затворени сгради за настаняване на хора, като например вили, хотели, пансиони.
- Той не бива да се използва навън.

Обща безопасност

- Когато решите да изхвърлите продукта, препоръчваме да се консултирате с оторизирания сервиз за да получите нужната информация за това, както и с оторизираните власти.
- Консултирайте се с оторизирания сервиз по всякакви въпроси и проблеми, свързани с хладилника. Не се опитвайте да поправяте сами или да позволявате друг да прави това без да предупредите оторизирания сервиз.
- За продукти с фризерно отделение; Не яжте сладолед или кубчета лед веднага след като ги извадите от фризерното отделение! (Това може да доведе до измръзване в устата ви.)

- За продукти с фризерно отделение; Не поставяйте бутилирани или консервирани течности във фризерното отделение. В противен случай те може да се пръснат.
- Не пипайте замразената храна с ръце; тя може да се залепи за ръката ви.
- Изключете хладилника от контакта преди почистване или размразяване.
- Не бива никога да използвате пара и парни почистващи материали при почистването и разлеждането на хладилника. Парата може да влезе в контакт с електрическите части и да предизвика късо съединение или токов удар.
- Никога не използвайте частите на хладилника, като например вратата за подпора или за стъпване.
- Не използвайте електрически уреди вътре в хладилника.
- Не повреждайте частите, където циркулира охладителя с пробивни или режещи инструменти. Евентуалното изтичане на охладител при пробиване на каналите на изпарителя, удълженията на тръбата или покритието върху повърхността може да предизвика раздразнения на кожата или нараняване на очите.
- Не покривайте и не блокирайте с предмети вентилационните отвори на хладилника.
- Електрическите устройства трябва да се ремонтират само от оторизирани лица. Ремонтът, извършен от некомпетентно лице може да създаде риск за

- В случай на каквато и да е повреда или по време на поддръжка и ремонт, изключете хладилника от електрическото захранване, като изключите съответния предпазител или извадите щепсела от контакта.
- Не дърпайте за кабела когато искате да извадите щепсела от контакта.
- Високоградусови спиртни напитки трябва да се поставят в хладилника само вертикално и плътно затворени.
- Никога не съхранявайте спрейове съдържащи възпламеними или експлозивни вещества в хладилника.
- Не използвайте механични устройства или други средства, за да ускорите процеса на размразяване, освен посочените от производителя.
- Този уред не е предназначен за употреба от лица с физически, сензорни или умствени разстройства или лица без опит и познания (включително деца), освен ако те не са наблюдавани или инструктирани относно употребата на уреда от отговорно за безопасността им лице.
- Не използвайте хладилника ако е повреден. Ако имате някакви съмнения, се обърнете към сервизния агент.
- Електрическата безопасност на хладилника е гарантирана само ако заземяването на ел. инсталация в дома ви отговаря на съответните стандарти.
- Излагането на продукта на дъжд, сняг, слънце и вятър представлява опасност от електрическа гледна точка.
- Свържете се с оторизирания сервиз при повреда в захранващия кабел за да избегнете всякакъв риск.
- Никога не включвайте хладилника в контакта по време на инсталация. В противен случай съществува риск за живота или от сериозно нараняване.
- Този хладилник е предназначен само за съхранение на хранителни продукти. Той не бива да се ползва за никакви други цели.
- Етикетът с технически спецификации е разположен върху лявата вътрешна стена на хладилника.
- Никога не свързвайте хладилника с енергоспестяващи системи; те могат да повредят хладилника.
- Ако на хладилника има синя светлина, не разглеждайте синята светлина с оптически устройства.
- За ръчно контролирани хладилници, изчакайте поне 5 минути за да рестартирате хладилника след прекъсване в захранването.
- Това упътване за употреба трябва да се предаде на новия собственик ако уредът бъде продаден на други лица.
- Внимавайте да не повредите захранващия кабел при транспортирането на хладилника. Огъването на кабела може да доведе до пожар. Никога не поставяйте тежки предмети върху захранващия кабел.
- Не пипайте щепсела с мокри ръце когато включвате уреда в контакта.



- Не включвайте хладилника в разхлабени контакти.
- По причини на безопасността по външността или вътрешността на уреда не бива да се пръска директно вода.

- Не пръскайте субстанции, съдържащи възпламеними газове от рода на пропан газ в близост до хладилника за да избегнете риска от пожар и експлозия.
- Никога не поставяйте съдове, пълни с вода върху хладилника, тъй като това може да доведе до токов удар или пожар.
- Не препълвайте хладилника с прекалено много хранителни продукти. Ако е препълнен, хранителните продукти може да паднат и да ви наранят или да повредят хладилника при отваряне на вратата.
- Никога не поставяйте предмети върху хладилника; в противен случай те може да изпаднат при отварянето и затварянето на вратата на хладилника.
- Тъй като се нуждаят от точно определена температура на съхранение (ваксини, температурно-зависими лекарства, научни материали, и др.) не бива да се държат в хладилника.
- Ако не бъде използван дълго време, хладилникът трябва да бъде изключен от контакта. Възможно е неизправност в захранващия кабел да доведе до пожар.
- Накрайникът на щепсела трябва да бъде редовно почистван със сух парцал за да се избегне риска от пожар.
- Хладилникът може да мърда ако регулируемите крачета не са стабилно закрепени на пода. Стабилното закрепване на регулируемите крачета на пода може да предпази хладилника от мърдане.
- При преместването на хладилника, не го хващайте за дръжката на вратата. В противен случай тя може да се откъсне.
- Ако се налага да поставите уреда до друг хладилник или фризер, разстоянието между двата уреда трябва да е поне 8см. В противен случай прилежащите странични стени може да се навлажнят

За продукт с воден разпределител;

- Налягането на водата трябва да е поне 1 бар. Налягането на водата трябва да е под 8 бара.
- Използвайте само питейна вода.

Защита от деца

- Ако на вратата е поставена ключалка, ключът трябва да се държи далеч от достъпа на деца.
- Децата трябва да бъдат надзиравани за да се избегне играене с уреда.

Съвместимост с Директивата за изхвърляне на отпадъчни продукти



Символът върху продукта или опаковката означава, че продуктът не бива да се третира като битов отпадък. Вместо това трябва да се предаде в цъответния център за рециклиране на електрически и електронни уреди. Изхвърляйки този продукт по правилен начин, вие спомагате за предотвратяване на потенциални негативни последици за околната среда и човешкото здраве, които биха били причинени от неправилното изхвърляне на този продукт. За повече информация относно рециклирането на този продукт, моля обърнете се към местните власти, службата за събиране на битови отпадъци или магазина, където сте закупили продукта.

Информация за опаковъчните материали

Опаковъчните материали на продукта са произведени от рециклируеми материали съгласно нашите национални наредби за опазване на околната среда. Не изхвърляйте опаковъчните материали заедно с битовите и други отпадъци. Занесете ги в пунктовете за събиране на опаковъчни материали, определени от местните власти.

Не забравяйте...

Всяка рециклиране на материал е много важно за природата и нашето национално богатство.

Ако искате да допринесете за намаляването на цените на опаковъчните материали, можете да се консултирате с вашата организация по опазване на околната среда или общината, на чиято територия живеете.

Предупреждение на Агенцията по здравеопазване

Ак охлаждащата система на уреда ви съдържа R600a:

Този газ е запалим. Затова внимавайте да не повредите охладителната система и тръбите при употреба и транспорт. В случай на повреда, дръжте продукта далеч от потенциални източници на огън, което може да доведе до подпалването на уреда и проветрявайте стаята, където се намира той.

Типът газ, използван в продукта, е обозначен на страничната табелка с данни върху вътрешната лява страна на хладилника.

Никога не изхвърляйте уреда в огън.

Неща, които да направите с цел пестене на енергия

- Не оставяйте вратите на хладилника отворени за дълго.
Не прибирайте горещи храни и напитки в хладилника.
- Не препълвайте хладилника за да не се затруднява въздушната циркулация вътре в него.
- Не инсталирайте хладилника под пряка слънчева светлина или в близост до уреди, излъчващи топлина, като фурни, съдомиялни машини или радиатори. Хладилникът ви трябва да се инсталира поне на 30 см разстояние от топлинни източници и на поне 5 см от електрически фурни.
- Дръжте храната в затворени контейнери.
- Можете да заредите максимално количество храна във фризерното отделение на хладилника, като извадите чекмеджетата на отделението. Декларирана стойност на енергийната консумация на хладилника е определена при фризер с извадени чекмеджета. Няма никаква опасност да използвате рафт или чекмедже в зависимост от формата и размера на хранителните продукти които замразявате.
- Разлеждането на замразена храна в хладилника ще осигури както пестене на енергия, така и ще запази качеството на хранителните продукти.

❶ Температурата в стаята, където ще инсталирате хладилника, трябва да е поне -15°C. Употребата на хладилника при по-студени условия не е препоръчителна.

❶ Вътрешността на хладилника ви трябва да се почиства изцяло.

⚠ В случай, че информацията, която я дадена в инструкцията за употреба, не е взета под внимание, производителят не поема никаква отговорност.

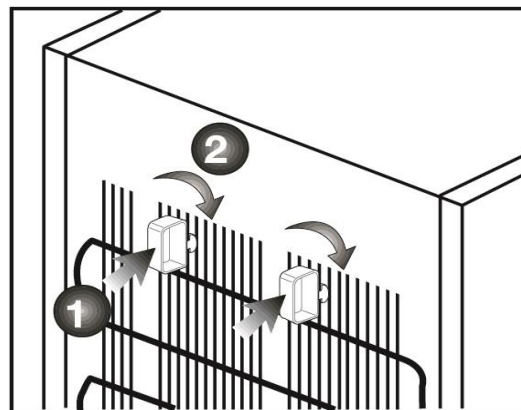
Неща, на които да обърнете внимание, когато местите хладилника

1. Вашият хладилник трябва да се изключи. Преди транспортиране на вашия хладилник, той трябва да бъде изпразнен и почистен.
2. Преди да бъде опакован отново, рафтовете, аксесоарите, разделителите и др във вашия хладилник трябва да се фиксират с лепенки и да се осигурят срещу въздействия. Пакетът трябва да бъде завързан с дебела лента или стабилни въжета и правилата за транспортиране, написани на опаковката, трябва да се спазват стриктно.
3. Оригиналната опаковка и изолиращи материали трябва да се запазят за бъдещо транспортиране или преместване.

Преди да пуснете хладилника,

Преди да започнете да използвате вашия хладилник, проверете следното:

1. Прикачете 2-та пластмасови клина, както е показано на картинката по-долу: Пластмасовите клинове са предназначени да пазят дистанция, която ще осигури циркулация на въздуха между хладилника и стената. (На картината е показано само представяне и не отговаря точно на вашия уред.)



2. Почистете вътрешността на хладилника, както е препоръчано в раздел "Поддръжка и почистване".
3. Включете щепсела на хладилника в контакта. Когато вратата на хладилника е отворена, вътрешната лампичка на хладилника ще свети.
4. Когато започне да работи компресорът, ще се чува звук. Нормално е течността и газовете в охладителната система да издават шум, дори компресорът да не работи.
5. Предните ъгли на хладилника може да са топли на пипане. Това е нормално. Тези части са проектирани да бъдат топли с цел избягване на кондензацията.

Електрическо свързване

Свържете хладилника към заземен контакт, който се предпазва от бушон с подходящ капацитет. Важно:

Свързването трябва да бъде направено в съответствие с наредбите в страната.

- Щепселът трябва да е лесно достъпен след монтажа.
- Електрическата безопасност на хладилника е гарантирана само ако заземяването на ел. инсталация в дома ви отговаря на съответните стандарти.
- Мощността, дадена на етикета, който се намира на лявата вътрешна част на вашия уред, трябва да бъде равна на мощността на вашата мрежа.
- **При свързването не бива да се ползват удължители и разклонители.**

⚠ Ако кабелът е повреден, той трябва да се подмени от квалифициран техник.

⚠ Нетрябвадасеработи с продукта, преди той да бъде заменен! Съществува опасност от токов удар!

Изхвърляне на опаковъчните материали

Опаковъчните материали може да представляват опасност за децата. Дръжте опаковъчните материали далеч от достъпа на деца или ги изхвърлете разделно, в съответствие с указанията за изхвърляне на отпадъци на вашите местни власти. Не ги изхвърляйте заедно с вашите битови отпадъци, изхвърлете опаковъчните материали на местата, посочени от местните власти.

Опаковката на вашия хладилник е изработена от рециклируеми материали.

Изхвърляне на стария ви хладилник

Изхвърлете стария си уред така, че да не навредите на околната среда.

- Може да се консултирате с оторизирания търговец или центъра за събиране на отпадъци във вашата община относно изхвърлянето на хладилника ви.

Преди да изхвърлите хладилника ви, отрежете кабела и, ако вратата е със заключалки, ги направете неизползваеми, така, че да предпазите децата от всякакви евентуални рискове.

Поставяне и монтиране

⚠ Ако вратата на стаята, където ще инсталирате хладилника, не е достатъчно широка, за да мине уредът през нея, се обадете в оторизиран сервиз, за да свалят вратите на хладилника и го вкарайте странично през вратата.

1. Инсталирайте хладилника на място, където може лесно да се ползва.
2. Дръжте хладилника далеч от топлинни източници, задушни места и пряка слънчева светлина.
3. Трябва да осигурите добра вентилация около хладилника за да може той да работи ефективно. Ако ще монтирате хладилника в ниша в стената, трябва да има поне 5 см разстояние от тавана и стената. Не поставяйте уреда върху черги, килими и пр.
4. Поставете хладилника върху равна подова повърхност за да се избегне клатене на уреда.

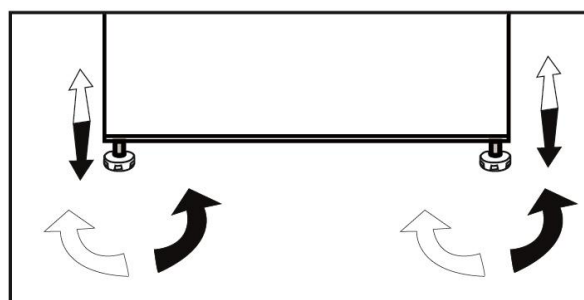
Подмяна на осветителната лампичка

За да подмените лампичката/LED в хладилника, моля, обадете се в оторизирания сервиз.

Регулиране на крачетата

Ако хладилникът ви не е балансиран;

Може да балансирате вашия хладилник, като завъртите предните крачета, както е показано на илюстрацията. Ъгълът, където е крака се понижава при завъртане по посока на черната стрелка и се увеличава при завъртане в обратната посока. Процесът се улеснява ако някой ви помогне като повдигне леко



4 Подготовка

- Хладилникът ви трябва да се инсталира поне на 30 см разстояние от топлинни източници като котлони, фурни, централно парно, на поне 5 см от електрически печки и не трябва да се излага на пряка слънчева светлина.
- Проверете дали вътрешността на хладилника е почистена изцяло.
- Ако два хладилника се инсталират един до друг, трябва да има поне 2 см разстояние помежду им.
- Когато използвате хладилника за първи път, следвайте следните указания през първите 6 часа.
- Вратата не бива да се отваря често.
- Хладилникът трябва да работи празен, без храна в него.
- Не изключвайте хладилника от щепсела. Ако има прекъсване на захранването, което не можете да контролирате, моля прочетете предупрежденията в раздел “Възможни решения на възникнали проблеми”.
- Този уред е проектиран да работи на температури на средата до 43°C (110°F).

Бутон за настройка на термостата

Вътрешната температура на хладилника се променя поради следните причини;

- Сезонни температури,
- Често отваряне на вратата и оставянето и за дълго отворена.
- Поставянето на храна, която не е охладена до стайна температура,
- Мястото на хладилника в стаята (напр. излагане на слънце).
- С помощта на термостата може да нагласите вътрешната температура спрямо тези обстоятелства. Номерата около термостатния бутон показват градусите на охлаждане.

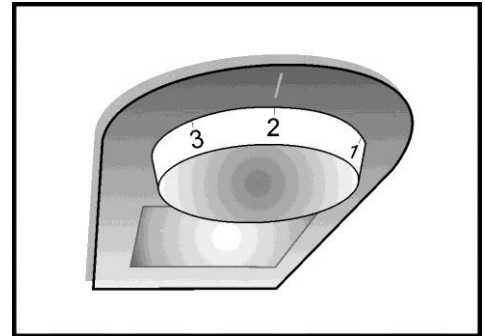
Работната температура се контролира от селектора на настройките.

Настройките могат да се правят от 1 до макс 5, като макс е най-студената позиция.

Средната температура в хладилника да не е по-висока от $+5^{\circ}\text{C}$ ($+41^{\circ}\text{F}$).

Препоръчваме ви да проверите температурата с точен термометър за да се уверите, че отделенията за съхранение са поддържани на желаната температура.

Помнете, че при всяко отваряне на вратата, от фризера излиза студен въздух и вътрешната температура се повишава. Затова никога не оставяйте вратата отворена и я затваряйте веднага след като внесете или извадите храна.



Размразяване

А) Хладилно отделение

Хладилното отделение осъществява изцяло автоматично размразяване. Докато хладилникът ви охлажда могат да се появят водни капки и заскрежавания до 7-8 мм на вътрешната задна стена в хладилното отделение. Тези образувания се получават от охлаждащата система. Образувания лед се разлежда чрез автоматичното размразяване на няколко интервала, извършвано от автоматичната разлеждаща система на задната стена. На потребителя не се налага да изстъргва леда или да премахва водните капки, водата, образувана при размразяването преминава през улея за събиране на вода и през дренажната тръба минава в изпарителя докато се изпари сама. Редовно проверявайте, дали дренажната тръба не е запушена и при необходимост я почиствайте с боцване на дупката, отделението за дълбоко замразяване не извършва автоматично размразяване, за да не се развали замразената храна.

В) Фризерно отделение

Размразяването става много лесно и безпроблемно, благодарение на специалното легенче за събиране на размразената вода. Размразявайте два пъти годишно или при образуване на 7мм (1/4") леден пласт. За да започнете с разлеждането, изключете уреда от превключвателя и извадете захранващия кабел от контакта. Всички хранителни продукти трябва да се увият в няколко пласта вестник и да се съхраняват на хладно място (напр. хладилник или килер). Може да поставите внимателно съдове с топла вода във фризера за да се ускори разлеждането. Не използвайте остри предмети като ножове и вилици за да свалите леда. Никога не използвайте сешуари, ел. печки и други подобни уреди за разлеждане на уреда. Попийте с гъба водата, събрала се при разлеждането в долната част на отделението на фризера. Сложете щепсела в контакта и включете електрическото захранване.

Замразяване на пресни продукти

- За предпочитане е храните да се увият или покрийт преди поставянето им в хладилника.
- Горещата храна трябва да се остави да изстине до стайна температура преди да я приберете в хладилника.
- Хранителните продукти, които желаете да замразите, трябва да са пресни и с добро качество.
- Хранителните продукти трябва да се разделят на части съобразно дневните или порционните нужди на семейството.
- Хранителните продукти трябва да се опаковат херметично, за да се предпазят от изсушаване дори и при краткотрайно съхранение.
- Материалите, които се използват за опаковка, трябва да са издръжливи на късане, студ, влага, миризма, мазнини и киселини, а също така херметизиращи. Освен това, те трябва да са добре затворени и направени от лесно-използваеми материали, подходящи за дълбоко замразяване.
- Замразените храни трябва да се употребяват веднага след размразяване и никога да не се замразяват повторно.
- Спазвайте следните инструкции за постигане на най-добри резултати.
 1. Не замразявайте прекомерно големи количества храна наведнъж. Качеството на храната се запазва най-добре, когато тя може да се замрази изцяло, възможно най-бързо.
 2. Поставянето на топла храна във фризерното отделение кара охлаждащият компресор да работи непрекъснато, докато храната замръзне напълно.
 3. Внимавайте да не смесите вече замразените храни с пресни.
- Горещите храни и напитки трябва да се охладят до стайна температура преди да се приберат в хладилника.
- Максималният обем замразена храна се постига като чекмеджетата и капакът на горния рафт във фризерното отделение не се използват. Разходът на енергия на уреда е измерен при напълно зареден фризер без използване на чекмеджетата и горния капак.
- При спиране на тока не отваряйте вратата на фризера. Дори прекъсването на тока да стигне "Период, повишаващ температурата" указан в раздел "технически характеристики на хладилника", замразената храна, няма да се повреди. Ако обаче прекъсването трае по-дълго, храната трябва да се провери и при необходимост да се консумира незабавно или да се замрази след като се сготви.
- Обърнете внимание на срока на годност, максимално позволеният период на съхранение и препоръчителната температура на съхранение на хранителните продукти, които сте закупили. Ако срокът на годност е преминал, не консумирайте продуктите.

Препоръки за съхранение на замразени храни

Предварително замразените промишлени хранителни продукти трябва да се съхраняват според указанията на производителя за *** **** (4-звездно) отделение за съхранение на замразени храни.

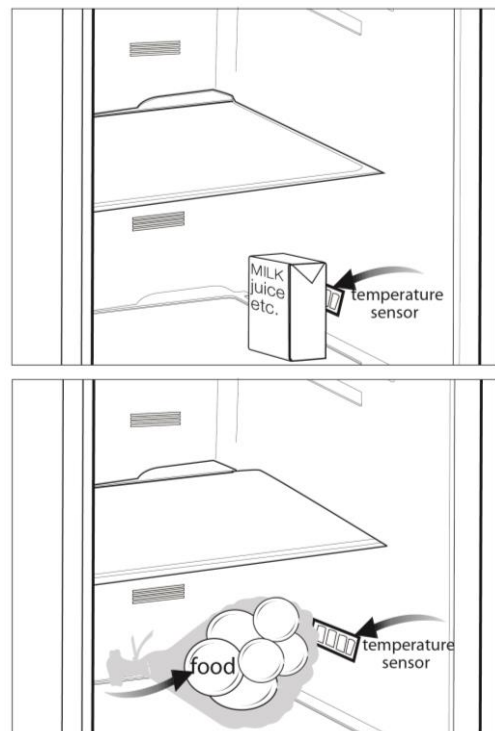
• За да сте сигурни, че високото качество, осигурено от производителя и търговеца, ще бъде запазено, трябва да помните следното:

1. Прибирайте пакетите във фризера, възможно най-бързо след покупката им.
2. Проверете дали съдържанието им е с етикет и дата на производство.
3. Не превишавайте срока на годност, посочен на опаковката.

Препоръки за отделението за отделение за пресни храни

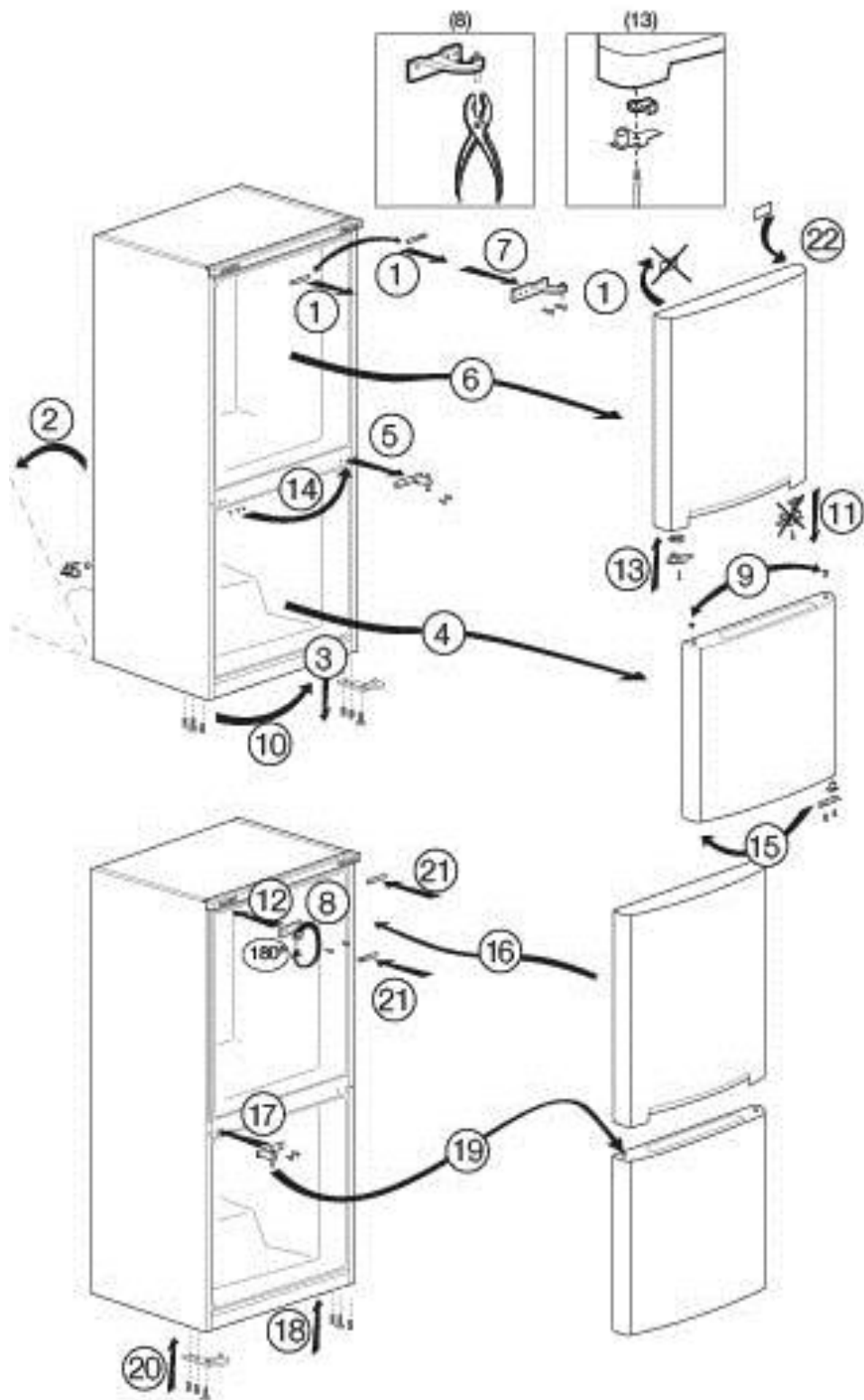
*опция

- Не позволявайте храната да докосва температурния сензор в отделението за свежи храни. За да позволите на отделението за свежи храни да запази идеалната си температура за охлаждане, сензорът не трябва да е закрит от храната.
- Не слагайте гореща храна в уреда.













Обръщане на вратите

Процедирайте по следния начин



6 Поддръжка и почистване

-  Никога не използвайте газ, бензин или подобни вещества за почистване на уреда.
-  Препоръчваме ви, да изключите уреда от контакта преди почистване.
-  Никога не използвайте за почистване остри или абразивни материали сапун, домакински препарати, перилни препарати или полир.
-  Използвайте хладка вода, за да почистите корпуса на хладилника, и подсушете.
-  Използвайте влажна кърпа, натопена в разтвор от една супена лъжица сода бикарбонат в половин литър вода, за да почистите вътрешността, и подсушете.
-  Убедете се, ченевлизаводав гнездото на лампичката и другите електрически елементи.
-  Ако вашият хладилник няма да се използва за дълго време, извадете захранващия кабел от щепсела, извадете всичката храна, почистете хладилника и оставете вратата откритата.
-  Редовно проверявайте уплътненията на вратата, за да сте сигурни, че са чисти и че по тях няма хранителни остатъци.
-  За да свалите рафт от вратата, извадете всички продукти и го бутнете нагоре от основата му.
-  Никога не използвайте почистващи препарати и ливода със съдържание на хлор за почистване на външните повърхности и хромираните части на продукта.

Предпазване от лоши миризми


Материали, които могат да причинят лоша миризма, не се използват в производството на нашите хладилници. Въпреки това, при неправилно съхранение на храните и не почистване на вътрешната повърхност на хладилника, както се изисква, може да се появят неприятни миризми. За да предотвратите този проблем, обърнете внимание на следното:

- Важно е хладилникът да се поддържа чист.

Причина за миризмите може да са останките от храна, петната и др. Ето защо, чистете хладилника с карбонат, разтворен във вода на всеки 15 дни. Никога не използвайте препарати или сапун.

- Дръжте течната храна в затворени контейнери. Микроорганизмите излизащи от непокрытите контейнери могат да причинят неприятна миризма.
- Никога не съхранявайте храна с изтекъл и развалена храна в хладилника.

Предпазване на пластмасовите повърхности

 Не слагайте течни мазнини или готвени в мазнина ястия в хладилника освен в затворен контейнер, тъй като те повреждат пластмасовите повърхности на хладилника. В случай на разливане или омазване на пластмасовите повърхности с мазнина, почистете и изплакнете съответната част от повърхността с топла вода.

7 Отстраняване на проблеми

Моля, прегледайте този списък преди да се обадите в сервиза. Това ще ви спести време и пари. Този списък съдържа проблеми, които не са в резултат на дефетно производство или лоша употреба на материали. Някои от описаните тук характеристики може да не са налични на вашия продукт.

Хладилникът не работи

- Щепселът не е включен в контакта правилно. >>>Включете безопасно щепсела в контакта.
- Може да е изгорял предпазителът на контакта, към който е свързан хладилника или главният предпазител. >>>Проверете предпазителя.

Кондензация по странияната стена на хладилното отделение (МУЛТИЗОНА, КОНТРОЛ НА ОХЛАЖДАНЕТО и FLEXI ZONE).

- Температурата на средата е много ниска. >>>Не монтирайте хладилника на места, в които температурата пада под 10°C.
- Вратата е отваряна често. >>>Не отваряйте и затваряйте вратите на хладилника често.
- В средата има висока влажност. >>> Не монтирайте хладилника в среда с висока влажност.
- Течната храна се съхранява в контейнери без капак. >>>Не съхранявайте течна храна в контейнери без капак.
- Вратата на хладилника е оставена откритата. >>>Затворете вратата на хладилника.
- Термостатът е настроен на много ниска температура. >>>Настройте термостата на подходяща температура.

Компресорът не работи

- Защитният термостат на компресора се изключва при внезапно прекъсване в хранването или при включване и изключване от контакта тъй като налягането на охладителя в охладителната система на хладилника все още не е уравновесен. Хладилникът ще започне да работи след около 6 минути. Ако след този период от време хладилникът не почне да работи, се свържете със сервиза.
- Хладилникът е в цикъл на размразяване. >>>Това е нормално за напълно автоматично размразяващ се хладилник. Цикълът на размразяване се задейства периодично.
- Хладилникът не е включен в контакта. >>>Уверете се, че щепселът пасва на контакта.
- Температурните настройки не са зададени правилно. >>>Изберете правилни температурни настройки.
- Налице е прекъсване на хранването. >>> Хладилникът се връща към нормален режим на работа, когато хранването се възстанови.

Работният шум се увеличава когато хладилникът работи.

- Оперативните характеристики на хладилника ви може да се променят в зависимост от промените на околната температура. Това е нормално и не е повреда.

Хладилникът работи често или продължително време

- Новият ви хладилник може да е по-широк от предишния. Големите хладилници работят по-дълго време.
- Температурата в стаята може да е висока.>>>Нормално е, уредът да работи по-дълго време, когато се намира в по-топла среда.
- Хладилникът може скоро да е включен в контакта или в него да има прекалено много храна. >>>Когато хладилникът наскоро е включен в контакта или в него има много храна, отнема по-дълго време достигането на зададената температура. Това е нормално.
- Възможно е наскоро да сте поставили голямо количество топла храна в хладилника. >>>Не поставяйте топла храна в хладилника.
- Вратите може да са били отворени често или оставени открити за дълго време.>>>Топлият въздух, проникнал в хладилника, го кара да работи за по-продължителни периоди Не отваряйте вратите често.
- Вратата на хладилника или фризера може да е оставена откритата.>>> Проверете дали вратите са напълно затворени.
- Хладилникът е настроен на много ниска температура.>>>Настройте хладилника на по-висок градус и изчакайте докато достигне температурата.
- Уплътнението на вратата на хладилника или фризера може да е замърсено, износено, повредено или неправилно поставено. >>>Почистете или подменете уплътнението. Повреденото уплътнение кара хладилника да работи по-продължително време за да поддържа температурата.

Температурата във фризера е много ниска, докато температурата в хладилника е задоволителна.

- Фризерът е настроен на много ниска температура. >>>Настройте температурата на фризера на по-висока температура и проверете.

Температурата в хладилника е много ниска, докато температурата във фризера е задоволителна.

- Хладилникът е настроен на много ниска температура. >>>Настройте температурата на хладилника на по-висока и проверете.

Хранителните продукти, съхранявани в чекмеджетата на хладилното отделение са замръзнали.

- Хладилникът е настроен на много висока температура. >>>Настройте температурата на хладилника на по-ниска и проверете.

Температурата в хладилника или фризера е много висока.

- Хладилникът е настроен на много висока температура. >>>Настройката на хладилника оказва влияние върху температурата във фризера. Променете температурата на хладилника и фризера и изчакайте, докато съответните отделения достигнат до задоволителна температура.
 - Вратите може да са били отворени често или оставени открити за дълго време. >>>Не отваряйте често вратите.
 - Вратата е откритата. >>>Затворете вратата напълно.
 - Хладилникът наскоро е включен в контакта или в него има много храна. >>>Това е нормално. Когато хладилникът наскоро е включен в контакта или в него има много храна, отнема по-дълго време достигането на зададената температура.
 - Възможно е наскоро да сте поставили голямо количество топла храна в хладилника. >>>Не поставяйте топла храна в хладилника.

Вибрации или шум.

- Подът не е равен и стабилен.>>>Ако хладилникът се тресе, когато се мести бавно, балансирайте го като регулирате крачетата. Уверете се, че подът е достатъчно здрав и равен и може да издържи хладилника и нивото.
- Предметите, поставени върху хладилника, могат да вдигат шум.>>>Премахнете предметите, които сте поставили върху хладилника.

От хладилника се чуват шумове, като от разливане на течност или спрей.

- Потокът на течност и газ е в съответствие с оперативните принципи на вашия хладилник. Това е нормално и не е повреда.

От хладилника се чува свирене

- Вентилаторите се използват за охлаждане на хладилника. Това е нормално и не е повреда.

Кондензация по вътрешните страни на хладилника.

- Топлият и влажен климат повишават размразяването и кондензацията. Това е нормално и не е повреда.
- Вратите може да са били отворени често или оставени открити за дълго време. >>>Не отваряйте често вратите. Затворете ги, ако са отворени.
- Вратата е откритата. >>>Затворете вратата напълно.

Отвън на хладилника или между вратите се събира влага.

- Възможно е въздухът да е влажен; това е нормално при влажен климат. Когато влажността във въздуха намалее, кондензираната вода ще изчезне.

Лоша миризма в хладилника.

- Не се извършва редовно почистване. >>>Почиствайте редовно вътрешността на хладилника с гъба, хладка или газирана вода.
- Някой контейнери или опаковъчни материали може да пропускат миризма.>>>Използвайте различен контейнер или различна марка материали за опаковане.
- Храната е поставена в хладилника в контейнери без капак.>>>Съхранявайте храната в затворени контейнери. Микроорганизмите излизаци от непокрытите контейнери могат да причинят неприятна миризма.
- Премахнете храните с изтекъл срок на годност и развалените храни от хладилника.

Вратата не се затваря.

- Опаковките с храна пречат на вратата да се затвори.>>> Преместете пакетите, които пречат на вратата.
- Хладилникът не е изправен напълно върху пода. >>>Регулирайте крачетата, за да балансира хладилника.
- Подът не е равен или издръжлив. >>>Уверете се, че подът е равен, издръжлив и способен да издържи хладилника.

Контейнерите за запазване на свежестта са заклещени.

- Храната може да докосва горната част на чекмеджето. >>>Подредете отново храната в чекмеджето.

4578336011/AG
EN-PL-CZ-SK-EL-BG

www.beko.com