



FZK 2002 E

English	3–20
Čeština.....	21–38
Slovenčina.....	39–56
Magyarul.....	57–74
Polski.....	75–92
Slovenščina.....	93–110

ELECTRIC TILLER USER'S MANUAL

Thank you for purchasing this electric tiller.

Before you start using it, please, carefully read this user's manual and save it for possible future use. This product was designed and built according to our high norms for reliability, ease of use and safety of operation. With proper care, it will give you many years of reliable problem-free service.

TABLE OF CONTENTS

1. General safety instructions	4
Important safety notice	4
Packaging	6
Operating instructions	6
2. Fundamentals of work safety	7
Work clothes/work area	8
Interrupting work	8
Other risks	8
3. Symbols	9
4. Purpose of use	10
5. Description of the machine	10
6. Assembly	11
7. Before turning on the electric tiller	12
Power cord of the machine	12
8. Operation	13
9. Operation	14
Removing foreign objects	14
10. Maintenance	14
11. Storage conditions	16
12. Troubleshooting	17
13. Technical specifications	18
14. Declaration of Conformity	19
15. Disposal	20

1. GENERAL SAFETY INSTRUCTIONS

Important safety notice

- ✿ Carefully unpack the product and take care not to throw away any part of the packaging before you find all the parts of the product.
- ✿ Store the product in a dry place out of reach of children.
- ✿ Read all warnings and instructions. Not following warnings or instructions may lead to injury by electrical shock, a fire and/or serious injuries.

- ✿ Before using, check that everybody that will be using the machine has read and understood these safety instructions and other information contained in this user's manual.

⚠ NOTE: Use appropriate hearing protection when using this machine. Under certain conditions and after a certain period of using the machine, the produced noise may cause hearing loss.

Inspection of damaged parts

Before every use, all damaged parts must be carefully inspected to determine whether they will work correctly and fulfil their function. Check the adjustment and fastening of moving parts, damaged parts, fastening elements and other conditions which may affect operation. All damaged parts must be repaired or replaced.

Do not use in a hazardous environment

Do not use the machine in rain, during a storm or in a damp or wet environment. Do not operate the machine in an environment where there are gases or in an explosive environment. The motors on these machines spark during operation and these sparks could ignite the vapours.

Keep out of the reach of children

Bystanders, children and animals must be at a safe distance.

Dress appropriately

Do not wear loose clothing and jewellery and keep long hair inside a protective mesh cap. They could become caught in the moving parts. When working outside, it is recommended to wear gloves and solid footwear.

Use safety glasses

When using this product, wear safety glasses with protective sides. In the case of a dusty environment, use a face mask or respirator.

Double insulation

The tiller is equipped with double insulation. This means that all metal parts are insulated from the electrical power supply. This is achieved by an insulating layer between the electrical and mechanical parts. Double insulation provides you with the highest possible level of safety.

Extension cord

Check that the extension cord is in good condition. When using an extension cord, make sure that it is sufficiently strong so that it can carry the necessary current for powering the machine. An extension cord with insufficient dimensions will result in a reduction of power voltage, which will result in reduced performance and overheating. The extension and power cord can be tied together using a knot to prevent them from disconnecting when the machine is being used. Tie the knot as shown in the figure below, then insert the plug on the power cord into the socket on the end of the extension cord. In the same way, you can join two extension cords.

Be careful with the extension cord when working with the tiller. Take care not to trip over the power cord. The power cord always goes away from the blades of the tiller.

**Overheating protection**

If the tiller is blocked by a foreign object or its motor is overloaded, a safety mechanism will automatically turn the motor off. Release the start lever and wait until the motor cools down (approximately 15 minutes) before starting the tiller again.

Disconnect the machine from the power supply if you will not be using it, if you are going to wash or repair it. Do not leave it without supervision.

Do not damage the power cord

Never carry the machine by the power cord or tug on it in order to pull it out of the power socket. Protect the power cord against heat, oil and sharp edges.

Use the machine properly

Do not use this appliance for other purposes than those for which it is intended (see chapter "Purpose of use").

Do not overestimate your abilities

Lead the tiller only at walking speed. When working, constantly maintain a firm posture and balance.

Lighting

Use the tiller only during daylight or strong artificial lighting.

Store the machine under a roof when not in use

If you are not using the tiller, place it under a roof in a dry location to which children do not have access.

Perform meticulous maintenance of the machine

For the best performance and lowest risk of injury, keep the machine clean and regularly check the extension cord and replace it when it is damaged. Keep the handles dry, clean and unstained by oil.

Pay attention

Pay attention to what you are doing. Apply common sense. Do not use the tiller if you are tired or under the influence of drugs or medication.

⚠ WARNING: Do not use the tiller in the vicinity of underground electric or telephone cables, pipes or hoses. If the tiller hits a foreign object, immediately turn it off, wait until the blades come to a stop and check them for damage. If necessary, seek out the services of an authorised service centre. If the tiller begins to vibrate excessively, immediately turn it off and identify the cause. Vibrations usually indicate a problem.

⚠ ATTENTION: Danger of cuts! When cleaning or carrying out maintenance on the tiller, use protective gloves and be careful.

Before starting any type of maintenance or repair work on the tiller, turn it off, wait until the blades come to a stop and disconnect it from the power supply.

⚠ NOTE: The blades will not come to a stop immediately after the tiller is turned off.

⚠ NOTE: Risk of injury. Keep your hands, legs and other parts of your body and clothing always well away from the rotating blades of the tiller.

Packaging

The product is packed in a package that prevents damage during transport. This package is a resource and so can be handed over for recycling.

Operating instructions

Before you start working with the machine, read the following safety instructions and carefully study the fundamentals for work with the machine. Acquaint yourself with the operating elements and the correct use of the machine. Keep the user's manual in a safe place where it can be easily retrieved for future use. Save the original packaging, including the internal packing material, warranty card and proof of purchase receipt at least for the duration of the warranty. If you need to ship this machine, pack it in the original cardboard box to ensure maximum protection during shipping or transport (e.g. when moving or when you need to send this product for repair to a service centre).

📖 NOTE: If you hand over the machine to somebody else, do so together with the user's manual. Following the instructions in the included user's manual is a prerequisite for the proper use of the machine. The user's manual also contains operating, maintenance and repair instructions. The manufacturer takes no responsibility for accidents or damages resulting from not following the instructions in this manual.

2. FUNDAMENTALS OF WORK SAFETY

- ✿ **Never use the machine if the power cord is damaged or visibly worn out.**
- ✿ **In the event that you connect the tiller using a damaged power cord to a power source and then touch the place that is uninsulated before the tiller is disconnected from the power source, you subject yourself to a risk of injury by electrical shock.**
- ✿ **Likewise, never touch the blades until the machine is disconnected from the power source and until the blades come to a complete stop.**
- ✿ **Make sure that the extension cord never comes into contact with the blades. The blades could damage the insulation on the power cord and this would create a risk of injury by electrical shock when a certain part of the body and the exposed wire touch while it is under live current.**
- ✿ **Disconnect the machine from the voltage source (i.e. pull the plug on the power cord out of the mains power socket):**
 - If you need to leave the machine without supervision.
 - If you are planning to carry out troubleshooting.
 - Prior to every inspection, every cleaning or repairs.
 - If you impact a foreign object when working with it.
 - If the machine vibrates excessively.

⚠ RECOMMENDATIONS: Connect the machine only to such a power source that is equipped with a residual current device (RCD) with a maximum leakage current of 30 mA.

- ✿ If the power cord is damaged, it must be replaced by the manufacturer or by an authorised customer service.
- ✿ This machine must not be operated by persons with limited physical, sensory or mental abilities (including children). Furthermore, it must not be used by inexperienced persons whose technical knowledge for the operation of this machine is insufficient. These persons may operate the machine under the supervision of a competent person or after being duly instructed about the fundamentals of work safety.
- ✿ If children are moving around in the vicinity of the machine, it is necessary to watch that they do not play with the machine.
- ✿ A tingling sensation in one's hands or their numbness are indications of excessive vibrations. If this happens, shorten the work cycle, take sufficiently long breaks, share the work among several people or in the event of long term use of the tiller, use special anti-vibration gloves when working.
- ✿ An unavoidable associated consequence of using the tiller is that it emits noise when it is running. Therefore, perform noisy work only during dedicated hours, respectively at a time when this type of activity is normal. Respect quiet times and try to limit the work to the shortest possible duration. Likewise, we recommend that you and persons moving in the direct vicinity of the tiller should wear ear protection.
- ✿ Do not use the electric tiller with damaged, deformed or worn out safety mechanisms (start safety switch, safety cover) and/or blades. To avoid incorrect balance, faulty parts and bolts must be replaced in sets without exception.

- ✿ Prior to starting work, look for and remove foreign objects (for example stones, branches, etc.).
- ✿ If during work you hit an obstacle or if the blades jam up then turn the electric tiller off, pull the power plug out of the socket and wait until the blades come to a stop. Then remove the obstacle. Check the electric tiller for damage and if necessary seek assistance at an authorised service centre.
- ✿ Only use the electric tiller for purposes described in this user's manual.
- ✿ Do not pull the tiller along a hard surface (concrete, footpaths) or up/down stairs. Do not overload the motor. Do not place any additional weight on the tiller. After you have finished using the tiller, disconnect it from the power supply and check the machine and in particular the blades for damage and if necessary seek out an authorised service centre.
- ✿ Be particularly careful when walking backwards. You could stumble!
- ✿ When working on a slope, always work perpendicular to the slope and maintain a safe and firm posture.
- ✿ Pay increased attention when changing direction on a slope and do not work on extremely steep slopes.
- ✿ Work only under good visibility.

Work clothes/work area

- ✿ You are responsible for safety in the work area.
- ✿ Make sure that there are no people (especially children) or animals in the vicinity of the work area.
- ✿ Wear robust work boots and long pants to provide protection to your legs. Never use the tiller when wearing sandals or barefoot.
- ✿ Keep hands and feet away from the blades – in particular when starting the machine! Keep the extension cord away from the blades.
- ✿ Acquaint yourself with the surroundings and be aware of potential risks which could be ignored due to the noise of the machine.
- ✿ Never use the machine when it is raining or in a damp or wet environment. Never work in the direct vicinity of swimming pools and garden ponds.










Interrupting work

- ✿ Never leave the electric tiller in the work area without supervision.
- ✿ When you interrupt work, always leave the electric tiller in a safe location and disconnect it from the power supply.
- ✿ When moving the tiller from one work area to another, turn it off and wait for the blades to come to a stop. Disconnect the power cord.

Other risks

- ✿ Despite the fact that our products are designed to meet the valid technical norms and safety directives in force, there still remain certain risks to the user associated with the operation of the machine:
 - Stones and other fragments may fly out of the area of the blades.
 - If the operator of the machine fails to use hearing protection, then they risk subsequent deafness.
 - Finger injury during blade maintenance.
 - Inhalation of dust particles created when working with the tiller.
 - Electrical shock when uninsulated parts are touched.

3. SYMBOLS

	<p>Warning: Read the user's manual!</p>
	<p>Do not use in rain or in wet conditions!</p>
	<p>Other people must remain at a safe distance!</p>
	<p>Rotating parts! The blades of the tiller stop only some time after the motor is shut off.</p>
	<p>Always turn the tiller off and disconnect it from the power supply before checking for damage on the power cord or before cleaning the blades.</p>
	<p>Protect the power cord against coming into contact with the blades!</p>
	<p>In accordance with the basic safety standards of European directives in force.</p>
	<p>This machine is protected by double insulation and so it is not necessary to use a grounding wire. Always check that the voltage in the grid corresponds to the voltage on the rating label.</p>
	<p>Use hearing protection! Use eye protection! Use breathing organ protection!</p>

4. PURPOSE OF USE

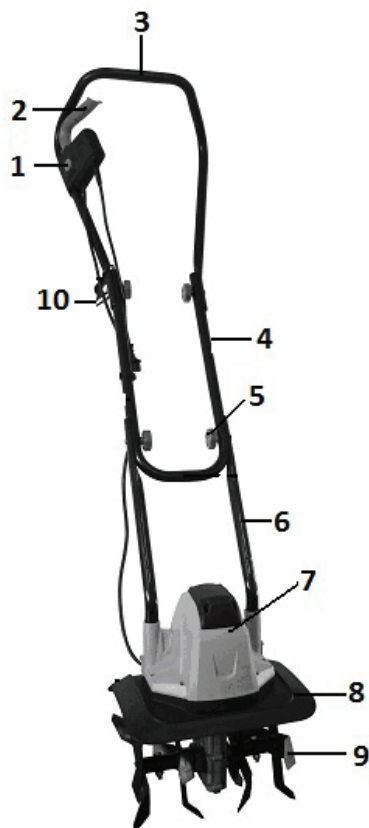
The FIELDMANN Electrical Tiller is designed for breaking up larger lumps of soil and hardened chunks of soil on small to medium size horticultural areas, home gardens and garden allotments. It is not intended for use on public fields, in parks, sports centres, on roads, in agriculture or forestry.

The electric tiller must not be used to smash stones or for ploughing up grass areas!

Following these instruction is a prerequisite for the correct use of the electric tiller.

5. DESCRIPTION OF THE MACHINE

Fig. 1



1. Trigger safety lock
2. Start lever
3. Top part of the handle
4. Middle part of the handle
5. Screw for the handle with a wing nut
6. Bottom part of the handle
7. Motor
8. Protective blade cover
9. Steel blades
10. Safety power cord holder

6. ASSEMBLY

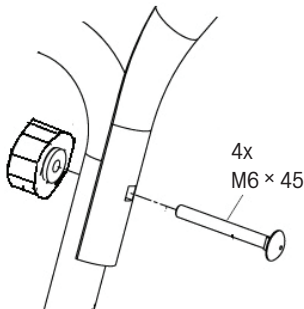
1. Insert the bottom part of the handle into the hole in the body of the tiller and secure it in place using the provided screws M4 × 20 (fig. 2).

Fig. 2



2. Connect the middle part of the handle to the bottom part of the handle and secure in place using the wing nut (fig. 3).

Fig. 3



3. Installing the top part of the handle:
 - first seat the safety power cord holder (on the right side) on to the top part of the handle (fig. 1 point 10)
 - Connect the top part of the handle to the middle part of the handle and secure in place using the wing nut (fig. 3)
 - Using the supplied screws ST4 × 20, attach the switch box (fig. 4) to the handle. The individual parts of the switch box must slide into the holes in the handle. Then attach the power cords to the handle using the plastic holders (fig. 5).

Fig. 4

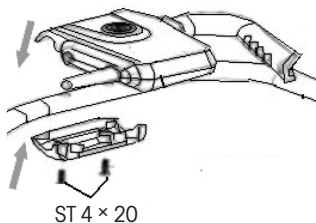
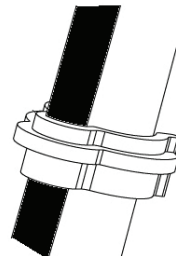


Fig. 5



- ⚠ **WARNING:** If any parts are damaged or missing, do not work with the product until they are replaced. Not respecting this warning may result in serious injuries.
- ⚠ **WARNING:** Do not attempt to modify this product or to make accessories that are not recommended for use with this product. Every such change or modification constitutes incorrect use and may lead to a dangerous condition, which may result in serious injuries.
- ⚠ **WARNING:** Do not connect the machine to a power source until it is fully assembled. Not adhering to this instruction may lead to accidentally starting the machine and possible serious injury.

7. BEFORE TURNING ON THE ELECTRIC TILLER

- ⚠ **ATTENTION:** Never remove or short-circuit the safety features mounted on the electric tiller (for example fastening the push button/lever to the handle).
- ⚠ **ATTENTION:** The blades of the tiller will continue to rotate for a short time after it is turned off! Never lift or carry the tiller with the motor running. When turning it on, make sure that your feet are at a safe distance from the tiller blades.
- ⚠ **ATTENTION:** Always lead the tiller by the handles with both hands. Lead the tiller only at walking speed.

Before turning on the tiller, make sure that the blades are not touching any object and that they can move freely. Hold the handle firmly with both hands. Never work with the tiller with only one hand.

- ⚠ **ATTENTION:** The tiller may jump up and/or forwards if the blades hit very hard or frozen soil or if there are hidden obstacles on the soil such as large stones, roots or tree stumps.

Power cord of the machine

Use only undamaged power cords.

The total length of the power cords must not exceed 40 metres because exceeding this distance will result in reduced motor performance. The power cord must have a cross-section of $3 \times 1.5 \text{ mm}^2$.

The power cord plugs and sockets must be made from rubber and resistant against spraying water. Longer power cords require larger wire cross-sections. The power cord and the connecting leads must be checked regularly for damage. Before checking the leads, check that they are not under live current. Fully unwind the power cord. Also check the entry locations of the cords, plugs and sockets.

8. OPERATION

⚠ IMPORTANT NOTICE:

! Before starting the motor, first move the tiller to the location where you will work.

! Hold the tiller firmly when starting it.

! When running, the tiller blades will pull forward. Using the handle, slowly tilt the blades downward.

1. Starting

– Connect the power cord and secure it in the safety power cord holder (fig. 6)

2. First press the trigger safety lock (fig. 7, point 1) and hold it down. Then slide the start lever towards the handle (fig. 7, point 2) and release the trigger safety lock.

Fig. 6

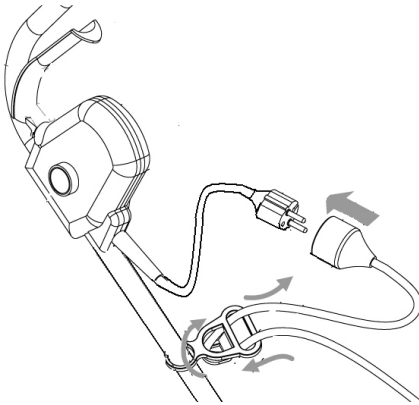
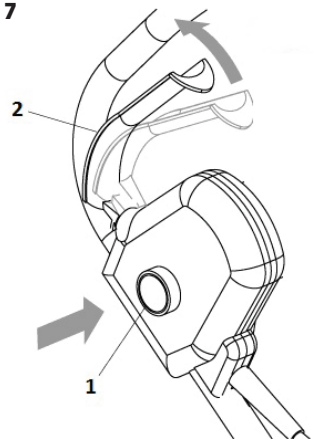


Fig. 7



⚠ CAUTION:

Use the tiller for breaking up clumps of soil and preparing garden beds for sowing.

To break up clumps of soil or for deep loosening, allow the tiller to pull your hands to the end of their reach and then firmly pull the tiller back towards yourself. You will achieve the best results by repeatedly allowing the tiller to move forward and then pulling it back towards yourself again. The movement of the tiller towards you will achieve more aggressive and deeper ploughing by the blades.

In the event that the tiller sinks deep into the soil and stays in the one location, rock it gently from side to side until it again starts moving forward.

⚠ WARNING:

! Be very careful to avoid tripping when moving backwards and when pulling the tiller towards yourself.

! Never travel over the power cord with the tiller. Check that the power cord is always in a safe position behind you.

! When working on a slope, always stand diagonally to the slope to maintain a firm safe stance. Do not work on extremely steep slopes.

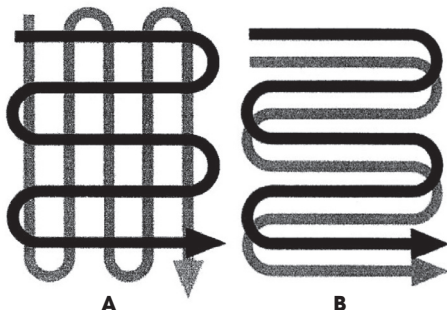
9. OPERATION

To prepare a garden bed for sowing, it is recommended to use one of the following patterns:

Loosening pattern A – Travel over the loosened area twice, the second time in cross direction to the first run, see fig. 8.

Loosening pattern B – Travel over the loosened area twice, the second time overlap the first run, see fig. 8.
Before use, remove all visible stones or other foreign objects.

Fig. 8



⚠ NOTE: Before moving the tiller from one area to another, turn the motor off and wait until the blades stop rotating. Be careful that the blades do not touch the ground while the tiller is being moved. The blades and the machine itself may be damaged even when the motor is turned off.

Removing foreign objects

During operation a stone or root may become stuck in the blades or high grass or weeds may become tangled around the shaft. To clean the blades or the shaft, first release the starting lever, wait until the blades come to a complete stop and disconnect the tiller from the power supply. Release or remove foreign objects from the blades or the shaft. To make the removal of tall grass or weeds easier, remove one or several of the blades.

10. MAINTENANCE

Disconnect the power source before performing maintenance.

While performing maintenance use protective gloves.

Before every use, check that the extension cord exhibits no signs of damage or ageing. Replace the power cord if it is frayed or otherwise damaged. Check the condition of the blades and ensure that all threaded connections are pulled tight. If the blades are blunt, sharpen or replace them. For support, call an authorised service centre.

Only replace worn out or damaged parts with original spare parts. Parts from a different tiller/cultivator may not necessarily be compatible, which may result in a dangerous situation.

Check that all safety mechanisms are safe and in good condition. Repair or replace it if necessary. Lubricate the blades and shaft once per season. Before putting the tiller away at the end of the season, check that it is not damaged. Repair or replace damaged parts.

⚠ ATTENTION: Clean the tiller after every use. Neglecting proper cleaning may result in damage to the tiller or a reduction in its performance. Clean the bottom motor bearer plate and the blade cover with a brush and a soft wiping cloth dipped in a soap and water solution.

Never use a hose with water to clean the tiller! Never wash the tiller under running water, in particular with pressurised water.

If you want to remove soil and dirt from the gearbox and blades, use a stiff brush or a dampened cloth. Clean the holes on the motor cover and remove all grass and dirt remains. After cleaning the blades and shaft, immediately wipe them dry and apply a thin layer of oil to prevent corrosion.

Installing and removing the blades

For this task, we recommend that you contact an authorised service centre.

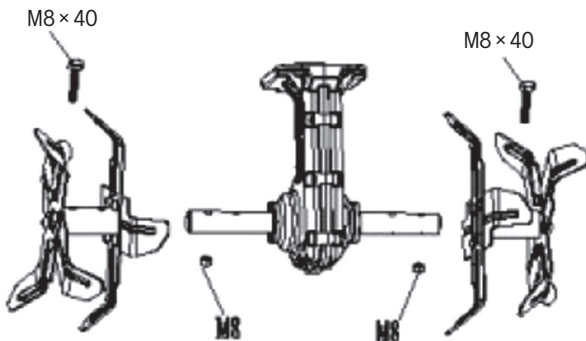
Worn out blades provide only a low level of performance and overload the motor.

Check the blades before each use. Sharpen or replace the blade if necessary. For support, contact an authorised service centre.

⚠ WARNING: Injuries may occur when working on the blades. Use protective gloves.

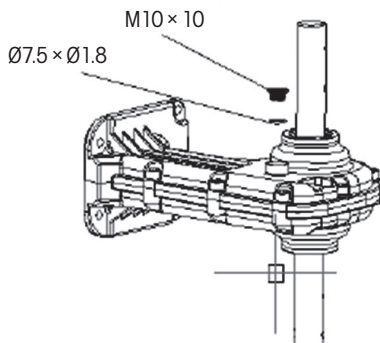
To remove the blade from the shaft (Fig. 9), screw out the hex bolt M8 x 40 from the shaft. Take the blades off the shaft. To install the blades, proceed in reverse order.

Fig. 9



Adding oil to the gearbox (Fig. 10):

The drain screw is located on the right side of the gearbox. Before screwing out the drain screw, place the tiller on its left side and clean away any dirt from the gearbox. If necessary, remove the blades to gain better access to the drain screw. Use a 5 mm Allen key to remove the screw. Drain the oil from the gearbox. Fill with high quality SAE 30 oil until it starts flowing out of the hole. Screw the drain screw back in.

Fig. 10

11. STORAGE CONDITIONS

⚠ ATTENTION: Risk of fire! The gearbox may be very hot both during and after use. Store the tiller at a safe distance from fuels, oils, Vaseline and gasses.

Thoroughly clean the entire machine and its accessories.

Store it out of reach of children in a stable safe position in a cool dry location, avoid both excessively high and excessively low temperatures. Protect it against the effects of direct sunlight. If possible, store it in the dark. Do not store in plastic bags to prevent the accumulation of moisture.

At the end of every season, perform a general inspection of the machine and remove any deposits that may have accumulated. At the start of every season, make sure that you have checked the condition of the machine. If repairs are necessary, please contact one of our service centres (address is on the warranty card).

Store the tiller in a clean dry location to which children do not have access.

For long term storage, ensure that the tiller is protected against corrosion and frost.

At the end of a season or if you will not be using the tiller for longer than a month, wipe all metal surfaces with a cloth dipped in oil or spray it with a thin layer of oil to protect it from corrosion. Fold down the handle and store the tiller in a suitable location.

12. TROUBLESHOOTING

Problem	Possible causes	Remedy
The motor will not start	The machine is not connected to a power supply	Connect the machine to a power supply
	There is no voltage in the mains	Check the power supply
	Faulty power cord	Check the power cord. Repair or replace it if necessary.
	Faulty safety switch/plug	Visit an authorised service centre
	Fuse against overheating was activated	<ol style="list-style-type: none"> 1. The working depth is too big, set a smaller depth. 2. The blades are blocked, remove the obstacle. 3. The soil is too hard, select the correct working depth and move the machine forwards and backwards while at the same time reducing the working speed. Wait approximately 15 minutes for the motor to cool down before using it again.
Excessive noise	Blades are jammed	Turn the machine off. Wait until the blades come to a complete stop. Remove any material stuck inside.
	Leaking oil	The tiller must be repaired. Call our customer line for support.
	Missing bolts, nuts or other parts.	Tighten all the parts. If the noise persists, organise repairs.
Excessive vibrations	The blades are damaged or worn out	Replace the damaged or worn out blades.
	Working depth is too large	Set the correct working depth.
Poor work results	Working depth is too small	Set the correct working depth.
	Worn out blades	Replace the damaged or worn out blades.

13. TECHNICAL SPECIFICATIONS

Model	FZK 2002 E
Power supply.....	230–240 V, 50 Hz
Power input.....	750 W
Idling speed.....	380 rpm
Coverage width.....	320 mm
Working depth.....	20 cm
Number of blades	4 pcs
Weight.....	8 kg
Noise emission level according to norm	
LpA (acoustic pressure)	79.0 dB(A)
LwA (acoustic power level)	93 dB(A)
Guaranteed level of acoustic power is LwA.....	MAX 96 dB(A)
Vibration level.....	1.158 m/s ² ; K = 1.5 m/s ²

14. DECLARATION OF CONFORMITY



FAST ČR, a.s.
 Černokostecká 1621, 251 01 Říčany Prague, tel.: 323 204 111, fax: 323 204 110
 E-mail: info@fastcr.cz
 Cejl 31, 602 00 Brno, tel.: 531 010 292-3, fax: 531 010 294
 E-mail: brno@fastcr.cz

CE DECLARATION OF CONFORMITY

Manufacturer:

FAST ČR, a.s.
 Černokostecká 2111, 100 00 Prague 10, Czech Republic
 Tax ID number: CZ26726548

Product/brand: Electric Tiller/FIELDMANN

Type/model: FZK 2002 E
 230 V, 750 W, 50 Hz

This product meets the directives below:

ES Low Voltage Electrical Equipment Directive No. 2006/95/ES
 ES Machinery Council Directive 2006/42/ES
 ES Electromagnetic Compatibility (EMC) Directive No. 2004/108/ES
 ES RoHS Directive No. 2002/95/ES

and norms:

EN 60335-1:2002+A1+A11+A12+A13+A14+A15
 EN 709:1997+A4
 EN 62233:2008
 ZEK 01.4-08/11.11
 EN 55014-1:2006+A1+A2
 EN 55014-2:1997+A1:2002
 EN 61000-3-2:2006+A1+A2
 EN 61000-3-3:2008

CE mark: 15

FAST ČR, a.s. is authorised to act on behalf of the manufacturer.

Place of issue: Prague

Name: Ing. Zdeněk Pech
 Chairman of the Board of Directors

Date of issue: 22.9.2015

Signature:

FAST FAST ČR, a.s. ©
 Černokostecká 1621, 251 01 Říčany
 IČO: 26726548 tel.: +420/ 323 204 111
 DIČ: CZ26726548 fax: +420/ 323 204 110

Company headquarters: Černokostecká 2111, 100 00, Prague 10
 Org. ID: 26726548, Tax ID: CZ26726548
 Bank details: Komerční banka Prague 1, acc.no. 89309-011/0100

15. DISPOSAL

Instructions and information about the handling of used packaging

Take the packaging material to a designated municipal waste facility.



The machine and its accessories are manufactured from various materials, e.g. metal and plastic. Take damaged parts to a recycling centre. Inquire at the relevant government department.



This product meets all the basic requirements of EU directives that apply to it.

Changes in the text, design and technical specifications may be made without prior notice and we reserve the right to make these changes.

User's manual in the original language.

ELEKTRICKÝ KULTIVÁTOR

NÁVOD K OBSLUZE

Děkujeme vám, že jste si zakoupili tento elektrický kultivátor.

Než ho začnete používat, přečtěte si, prosím, pozorně tento návod k obsluze a uschovejte jej pro případ dalšího použití. Tento produkt byl navržen a vyroben podle našich vysokých norem pro spolehlivost, snadné ovládání a bezpečnost obsluhy. Při správné péči Vám bude mnoho let spolehlivě a bezproblémově sloužit.

OBSAH

1. Všeobecné bezpečnostní pokyny	22
Důležitá bezpečnostní upozornění	22
Obal	24
Návod k použití	24
2. Zásady bezpečnosti práce	25
Pracovní oblečení/pracovní prostor	26
Přerušení práce	26
Ostatní rizika	26
3. Symboly	27
4. Účel použití	28
5. Popis stroje	28
6. Sestavení	29
7. Před zapnutím elektrického kultivátoru	30
Napájecí kabel zařízení	30
8. Provoz	31
9. Použití	32
Odstraňování cizích předmětů	32
10. Údržba	32
11. Skladování	34
12. Řešení potíží	35
13. Technické údaje	36
14. Prohlášení o shodě	37
15. Likvidace	38

1. VŠEOBECNÉ BEZPEČNOSTNÍ POKYNY

Důležitá bezpečnostní upozornění

- ✿ Výrobek pečlivě vybalte a dejte pozor, abyste nevyhodili žádnou část obalového materiálu dříve, než najdete všechny součásti výrobku.
- ✿ Výrobek uchovávejte na suchém místě mimo dosah dětí.
- ✿ Čtěte všechna upozornění a pokyny. Zanedbaní při dodržování varovných upozornění a pokynů může mít za následek úraz elektrickým proudem, požár a/nebo těžká poranění.
- ✿ Před použitím se ujistěte, že každý, kdo bude zařízení používat, si přečetl a je srozuměn s těmito bezpečnostními pokyny a dalšími informacemi obsaženými v tomto návodu.

⚠ UPOZORNĚNÍ: Během používání používejte vhodné prostředky ochrany sluchu. Za určitých okolností a po určité době používání může strojem vytvářený hluk způsobit ztrátu sluchu.

Kontrola poškozených dílů

Před každým použitím musí být všechny poškozené díly pečlivě zkontrolovány, aby bylo možné stanovit, že budou správně fungovat a plnit svou funkci. Zkontrolujte seřízení a upevnění pohyblivých se částí, poškození dílů, upevnění a další podmínky, které mohou ovlivnit provoz. Každý poškozený díl musí být opraven či vyměněn.

Nepoužívejte v nebezpečném prostředí

Zařízení nepoužívejte v dešti, při bouřce, ve vlhkém či mokřém prostředí. Zařízení neprovozujte v prostředí s výskytem plynů nebo ve výbušném prostředí. Motory těchto strojů během provozu jiskří a jiskry by mohly výpary zapálit.

Udržujte mimo dosah dětí

Okolostojící osoby, děti a zvířata musí být v bezpečné vzdálenosti.

Vhodně se oblékněte

Nenoste volné oblečení a šperky a na dlouhé vlasy používejte ochrannou síťku. Mohlo by dojít k jejich zachycení do pohyblivých se dílů. Při práci venku je doporučeno použití rukavic a pevných bot.

Používejte ochranné brýle

Při používání tohoto produktu používejte ochranné brýle s ochrannými bočnicemi. V případě prašného prostředí používejte obličejovou masku či respirátor.

Dvojitá izolace

Kultivátor je vybaven dvojitou izolací. To znamená, že všechny kovové díly jsou izolovány od elektrického napájení. Toho je dosaženo izolační vrstvou mezi elektrickými a mechanickými částmi. Dvojitá izolace Vám zajišťuje tu nejvyšší možnou bezpečnost.

Prodlužovací kabel

Ujistěte se, že je prodlužovací kabel v dobrém stavu. Při použití prodlužovacího kabelu se ujistěte, že je dostatečně silný, aby přenesl proud potřebný pro napájení zařízení. Poddimenzovaný prodlužovací kabel způsobí úbytek napájecího napětí, který vyústí v pokles výkonu a přehřívání.

Prodlužovací a napájecí kabel je možno svázat uzlem, aby se předešlo jejich rozpojení při používání stroje. Uzel uvažte jako na obrázku níže, poté zapojte zástrčku na napájecím kabelu do zásuvky na konci prodlužovacího kabelu. Stejným způsobem můžete spojit také dva prodlužovací kabely.



Při práci s kultivátorem dávejte pozor na prodlužovací kabel. Dávejte pozor, abyste o kabel neklopýtli. Kabel vždy vedte pryč od nožů kultivátoru.

Ochrana proti přehřátí

Pokud je kultivátor zablokovaný cizím předmětem nebo je jeho motor přetížený, bezpečnostní zařízení jeho motor automaticky vypne. Uvolněte spouštěcí páku a vyčkejte, dokud se motor neochladí (zhruba 15 minut), než kultivátor opět zapnete.

Zařízení odpojte od napájení v případě, že jej nebudete používat nebo jej budete mýt či opravovat. Nenechávejte jej bez dozoru.

Nepoškozujte kabel

Stroj nikdy nenoste za kabel ani za kabel netrhejte, abyste jej vytáhli ze zásuvky. Kabel chraňte před horkem, oleji a ostrými hranami.

Používejte zařízení správně

Nepoužívejte tento produkt pro jiné účely, než pro které je určen (viz kapitola Účel použití).

Nepřeceňujte se

Kultivátor vedte pouze rychlostí kroku. Při práci neustále udržujte pevný postoj a rovnováhu.

Osvětlení

Kultivátor používejte pouze za denního nebo silného umělého světla.

V případě nečinnosti zařízení uložte pod střechu

Pokud kultivátor nepoužíváte, uložte jej pod střechu do suchého prostoru bez přístupu děť.

Provádějte pečlivou údržbu stroje

Pro nejlepší výkon a nejmenší riziko úrazu stroj udržujte čistý a pravidelně kontrolujte prodlužovací kabel a v případě, že je poškozen, jej vyměňte. Udržujte madla suchá, čistá a nepoříšněná olejem.

Zůstaňte ostražití

Sledujte, co děláte. Používejte zdravý rozum. Nepoužívejte kultivátor, jste-li unaveni nebo jste-li pod vlivem drog nebo léků.

⚠ VAROVÁNÍ: Kultivátor nepoužívejte v blízkosti podzemních elektrických či telefonních kabelů, potrubí a hadic. Pokud kultivátor narazí na cizí předmět, okamžitě jej vypněte, vyčkejte, až se nože zastaví a zkontrolujte, zda nejsou poškozené. V případě, že je to nezbytné, před další prací vyhledejte služby autorizovaného servisu. Pokud začne kultivátor nadměrně vibrovat, okamžitě jej vypněte a vyhledejte příčinu. Vibrace jsou obvykle známkou problému.

⚠ POZOR: Nebezpečí pořezání! Při čištění nebo provádění údržby kultivátoru používejte ochranné rukavice a buďte opatrní.

Před započetím jakýchkoliv prací na údržbě či opravách kultivátoru zařízení vypněte, vyčkejte, až se jeho nože zastaví a odpojte jej od napájení.

⚠ UPOZORNĚNÍ: Nože se nezastaví ihned po vypnutí kultivátoru.

⚠ UPOZORNĚNÍ: Riziko poranění. Nepřibližujte ruce, nohy ani žádné jiné části těla nebo oblečení k točícím se nožům kultivátoru.

Obal

Výrobek je umístěn v obalu, který brání poškozením při transportu. Tento obal je surovinou a lze jej proto odevzdat k recyklaci.

Návod k použití

Než začnete se strojem pracovat, přečtěte si následující bezpečnostní předpisy a prostudujte si zásady bezpečnosti práce se zařízením. Seznamte se s obslužnými prvky a správným používáním zařízení. Návod pečlivě uschovejte pro případ pozdější potřeby. Minimálně po dobu záruky doporučujeme uschovat originální obal včetně vnitřního balicího materiálu, pokladní doklad a záruční list. V případě přepravy zabalte stroj zpět do originální krabice od výrobce, zajistěte si tak maximální ochranu výrobku při případném transportu (např. stěhování nebo odeslání do servisního místa).

📖 POZNÁMKA: Předáváte-li stroj dalším osobám, předejte jej společně s návodem. Dodržování přiloženého návodu k obsluze je předpokladem řádného používání stroje. Návod k obsluze obsahuje rovněž pokyny pro obsluhu, údržbu a opravy. Výrobce nepřebírá odpovědnost za nehody nebo škody vzniklé následkem nedodržování tohoto návodu.

2. ZÁSADY BEZPEČNOSTI PRÁCE

- ✿ **Zařízení nikdy nepoužívejte v případě, že je poškozený či viditelně opotřebený napájecí kabel.**
- ✿ **V případě, že kultivátor připojíte poškozeným kabelem ke zdroji napětí a poté se dotknete místa, kde je porušena izolace dřívě, než bude kultivátor od zdroje napětí odpojena, vystavujete se riziku úrazu elektrickým proudem.**
- ✿ **Rovněž se nikdy nedotýkejte nožů, dokud nebude zařízení odpojeno od zdroje napětí, a dokud se nože úplně nepřestanou otáčet.**
- ✿ **Dbejte na to, aby se prodlužovací kabely nikdy nedostaly do kontaktu s noži. Nože by totiž mohly poškodit izolaci kabelu, a tím by vzniklo riziko úrazu elektrickým proudem při dotyku některé části těla a obnaženého vodiče, bude-li tento pod napětím.**
- ✿ **Zařízení odpojte od přívodu napětí (tj. vytáhněte vidlici napájecího kabelu ze síťové zásuvky):**
 - Pokud musíte nechat zařízení bez dozoru.
 - Pokud se chystáte odstranit závadu.
 - Před každou kontrolou, každým čištěním či opravou.
 - Narazíte-li při práci na cizí těleso.
 - Pokud zařízení nadměrně vibruje.
- ⚠ **DOPORUČENÍ:** Zařízení připojujte jen k takovému zdroji napětí, který je vybaven proudovým chráničem (RCD) s maximální hodnotou unikajícího proudu 30 mA.
- ✿ Je-li poškozen napájecí kabel, je nutná jeho výměna výrobcem anebo jeho autorizovaným zákaznickým servisem.
- ✿ Toto zařízení nesmí být obsluhováno osobami s omezenými fyzickými, smyslovými či duševními schopnostmi (včetně dětí). Dále nesmí být používáno osobami nezkušenými či takovými osobami, jejichž technické znalosti jsou pro obsluhu tohoto zařízení zjevně nedostatečné. Tyto osoby mohou obsluhovat zařízení pouze pod dohledem způsobilé osoby, anebo po náležitém poučení o zásadách bezpečnosti práce.
- ✿ Pohybují-li se v blízkosti zařízení děti, je nezbytně nutné dohlížet na to, aby si se zařízením nehrály.
- ✿ Pocit mravenčení v rukou anebo dokonce jejich necitlivost je příznakem nadměrných vibrací. V takovém případě zkraťte práci, přerušujte ji dostatečně dlouhými přestávkami, rozdělte ji mezi několik lidí anebo, v případě dlouhodobého používání kultivátoru, používejte při práci speciální anti-vibrační rukavice.
- ✿ Nevyhnutelným průvodním jevem používání kultivátoru je to, že za chodu vydává hluk. Hlučné práce proto provádějte pouze ve vyhrazených hodinách, respektive v době, která je pro tyto činnosti běžná. Respektujte dobu klidu a práci se snažte zkrátit na nezbytně nutnou dobu. Rovněž doporučujeme, abyste Vy i osoby, pohybující se v bezprostřední blízkosti kultivátoru, byli vybaveni chrániči sluchu.

- ✿ Nepoužívejte elektrický kultivátor s poškozenými, deformovanými nebo opotřebenými bezpečnostními zařízeními (blokování zapnutí, bezpečnostní kryt) a/nebo noži. Aby nevznikala nevyváženost, vadné díly a šrouby je nutné vyměňovat zásadně po sadách.
- ✿ Před prací vyhledejte a odstraňte cizí předměty (například kameny, větve atd.).
- ✿ Pokud při práci narazíte na překážku, nebo pokud se nože zaseknou, elektrický kultivátor vypněte, vytáhněte zástrčku ze zásuvky a počkejte, až se nože zastaví. Poté překážku odstraňte. Zkontrolujte, zda není elektrický kultivátor poškozen a pokud je to nutné, vyhledejte pomoc autorizovaného servisního střediska.
- ✿ Elektrický kultivátor používejte pouze pro účely uvedené v tomto návodu k obsluze.
- ✿ Kultivátor netahejte po tvrdém povrchu (beton, chodníčky) nebo do/ze schodů. Nepřetěžujte motor. Na kultivátor nepřidávejte žádnou přídatnou zátěž. Po použití kultivátor odpojte od napájení a zkontrolujte, zda stroj a zejména nože nejsou poškozeny a v případě potřeby vyhledejte autorizované servisní středisko.
- ✿ Při chůzi pozpátku buďte maximálně opatrní. Můžete klopýtnout!
- ✿ Při práci ve svahu pracujte vždy kolmo ke svahu a udržujte bezpečný a pevný postoj.
- ✿ Dbejte zvýšené opatrnosti při změně směru na svahu a nepracujte na extrémně strmých svazích.
- ✿ Pracujte pouze za dobré viditelnosti.

Pracovní oblečení/pracovní prostor

- ✿ Odpovídáte za bezpečnost v pracovním prostoru.
- ✿ Ujistěte se, že se v blízkosti pracovního prostoru nenachází žádné osoby (zvláště děti) nebo zvířata.
- ✿ K ochraně nohou si oblékněte robustní pracovní boty a dlouhé kalhoty. Kultivátor nikdy nepoužívejte v sandálech nebo naboso.
- ✿ Udržujte ruce a nohy mimo dosah nožů – a to zvláště při spouštění stroje! Prodlužovací kabel udržujte mimo dosah nožů.
- ✿ Seznamte se s okolím a dávejte pozor na možná rizika, která by mohla být přeslechnuta kvůli hluku stroje.
- ✿ Přístroj nikdy nepoužívejte za deště nebo ve vlhkém či mokřím prostředí. Nikdy nepracujte v bezprostředním okolí bazénů a zahradních jezírek.










Přerušení práce

- ✿ Elektrický kultivátor nikdy nenechávejte na pracovní ploše bez dozoru.
- ✿ Při přerušení práce vždy ponechte elektrický kultivátor na bezpečném místě a odpojte jej od napájení.
- ✿ Při přemisťování z jedné pracovní plochy na jinou kultivátor vypněte a počkejte, až se nože zastaví. Odpojte napájecí kabel.

Ostatní rizika

- ✿ Přestože jsou naše výrobky konstruovány tak, aby vyhovovaly platným technickým normám a bezpečnostním předpisům, přetrvávají ve spojení s obsluhou zařízení pro jeho uživatele některá rizika:
 - Z prostoru nožů mohou odlétávat kameny nebo jejich úlomky.
 - Nebude-li obsluha zařízení při práci používat ochranu sluchu, vystavuje se riziku následného ohluchnutí.
 - Poranění prstů při údržbě nožů.
 - Vdechnutí prachových částic vzniklých při práci s kultivátorem.
 - Zasažení elektrickým proudem při dotyku neizolovaných součástí.

3. SYMBOLY

	<p>Varování: Přečtěte si návod k obsluze!</p>
	<p>Nepoužívejte v dešti či za mokra!</p>
	<p>Ostatní osoby se musí zdržovat v bezpečné vzdálenosti!</p>
	<p>Rotující součásti! Nože kultivátoru se zastaví až chvíli po vypnutí motoru.</p>
	<p>Kultivátor vždy vypněte a odpojte od napájení před kontrolou poškození napájecího kabelu nebo před čištěním nožů.</p>
	<p>Chraňte kabel před kontaktem s noži!</p>
	<p>V souladu se základními platnými bezpečnostními standardy evropských směrnic.</p>
	<p>Toto zařízení je chráněno dvojitou izolací; proto není nutné použití uzemňovacího vodiče. Vždy zkontrolujte, zda síťové napětí odpovídá napětí na typovém štítku.</p>
	<p>Používejte ochranu sluchu! Používejte ochranu zraku! Používejte ochranu dýchacích cest!</p>

4. ÚČEL POUŽITÍ

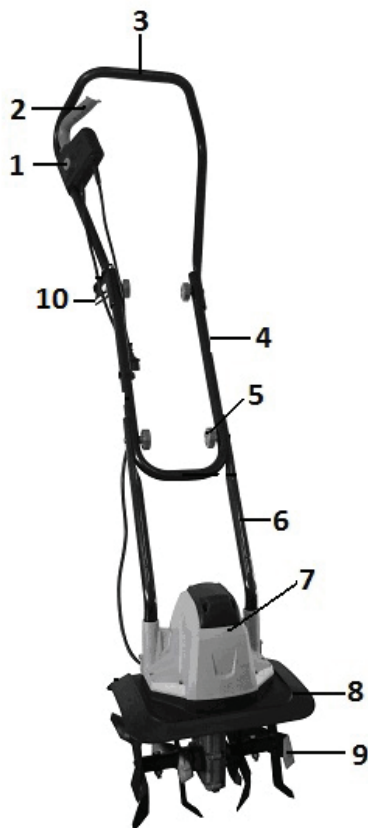
Elektrický kultivátor FIELDMANN je určen k rozměňování velkých hrud a ztvrdlé půdy na malých až středně velkých pěstitelských plochách, na domácích zahradách a v zahrádkářských koloniích. Není určen pro použití na veřejných hřištích, v parcích, sportovních centrech, na silnicích, v zemědělství nebo lesnictví.

Elektrický kultivátor se nesmí používat k rozbíjení kamenů nebo přeorávání travnatých ploch!

Dodržování těchto pokynů je předpokladem pro správné použití elektrického kultivátoru.

5. POPIS STROJE

Obr. 1

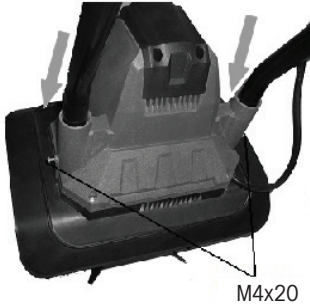


1. Bezpečnostní pojistka spínače
2. Spínací páka
3. Horní díl madla
4. Střední díl madla
5. Šroub madla s křídlovou matkou
6. Spodní díl madla
7. Motor
8. Ochrany kryt nožů
9. Ocelové nože
10. Bezpečnostní držák kabelu

6. SESTAVENÍ

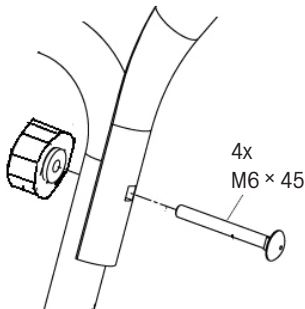
1. Nasuňte spodní díly madla do otvorů v těle kultivátoru a zajistěte je přiloženými šrouby M4 × 20 (obr. 2).

Obr. 2



2. Ke spodnímu dílu madla připojte střední díly madla a zajistěte křídlovou matkou (obr. 3).

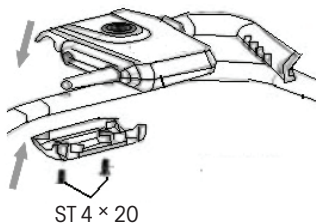
Obr. 3



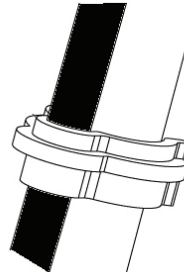
3. Instalace horního dílu madla:

- nejprve na horní díl nasadíte bezpečnostní držák kabelu (na pravou stranu) (obr. 1 bod 10)
- Připojte horní díl madla ke střednímu a zajistěte šrouby s křídlovou matkou (obr. 3)
- Pomocí přiložených šroubů ST4 × 20 připevněte k madlu spínací skříň (obr. 4) Jednotlivé části spínací skříňe musí zapadnout do otvorů v madle. Následně kabely k madlu přichyťte plastovými úchyty (obr. 5).

Obr. 4



Obr. 5



- ⚠ **VAROVÁNÍ:** Pokud jsou jakékoli díly poškozeny nebo chybí, s produktem nepracujte, dokud nejsou vyměněny. Nedodržení tohoto varování může mít za následek vážné zranění.
- ⚠ **VAROVÁNÍ:** Nepokoušejte se upravovat tento výrobek nebo vytvořit příslušenství, které není doporučeno pro použití s tímto produktem. Každá taková změna nebo úprava je nesprávným použitím a může vést k nebezpečnému stavu, což může mít za následek vážné zranění.
- ⚠ **VAROVÁNÍ:** Nepřipojujte zařízení ke zdroji napětí, dokud není dokončeno jeho sestavení. Nedodržení tohoto pokynu může vést k náhodnému spuštění a k možnému vážnému zranění.

7. PŘED ZAPNUTÍM ELEKTRICKÉHO KULTIVÁTORU

- ⚠ **POZOR:** Nikdy nedemontujte ani nepřemostujte bezpečnostní zařízení namontovaná na elektrickém kultivátoru (například upevnění stisknutého tlačítka/páky k rukojeti).
- ⚠ **POZOR:** Nože kultivátoru se budou i po vypnutí stroje krátkou chvílí točit! Nikdy nezvedejte nebo nepřenášejte kultivátor se spuštěným motorem. Při zapínání se ujistěte, že jsou Vaše nohy v bezpečné vzdálenosti od nožů kultivátoru.
- ⚠ **POZOR:** Kultivátor vždy ved'te za madla oběma rukama. Kultivátor ved'te pouze rychlostí chůze.

Před zapnutím kultivátoru se přesvědčte, že se jeho nože nedotýkají žádného předmětu, a že se mohou volně pohybovat. Madlo držte pevně oběma rukama. Nikdy nepracujte s kultivátorem jednou rukou

- ⚠ **POZOR:** Kultivátor může poskočit nahoru a/nebo dopředu, pokud nože narazí na velmi tvrdou či zmrzlou půdu nebo na v půdě skryté překážky jako jsou velké kameny, kořeny nebo pařezy.

Napájecí kabel zařízení

Používejte pouze nepoškozené napájecí kabely.

Celková délka napájecích kabelů nesmí překročit 40 metrů, protože překročení této vzdálenosti vede ke snížení výkonu elektromotoru. Napájecí kabel musí mít průřez $3 \times 1,5 \text{ mm}^2$.

Vídlíce a zásuvky pro napájecí kabely musí být vyrobeny z pryže a odolné vůči stříkající vodě. Delší napájecí kabely vyžadují větší průřezy vodičů. Napájecí kabely a spojovací vedení musí být pravidelně kontrolovány z hlediska poškození. Před kontrolou vedení se ujistěte, že jsou bez napětí. Napájecí kabel zcela rozviňte. Zkontrolujte také místa vstupu kabelu, zástrčky a zásuvky.

8. PROVOZ

⚠ DŮLEŽITÉ UPOZORNĚNÍ:

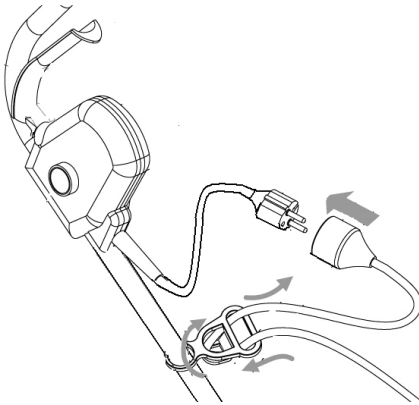
! Před zapnutím motoru nejprve kultivátor přesuňte do místa, kde budete pracovat.

! Během zapínání kultivátoru pevně držte.

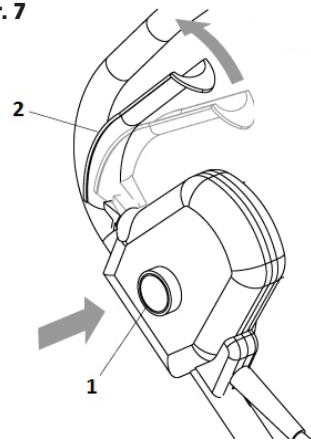
! Během práce nože kultivátoru potáhnou směrem vpřed. Pomoci madel nože pomalu sklopte dolů.

1. Zapnutí
 - Připojte přívodní napájecí kabel a zajistěte ho do bezpečnostního držáku kabelu (obr. 6)
2. Nejprve stiskněte bezpečnostní pojistku spínače (obr. 7, bod 1) a držte ji stlačenou. Poté přitáhněte spínací páku k madlu (obr. 7, bod 2) a uvolněte bezpečnostní pojistku.

Obr. 6



Obr. 7



⚠ UPOZORNĚNÍ:

Kultivátor používejte na rozbíjení drnů, přípravu záhonů na osetí.

Pro rozbíjení drnů nebo hluboké kypření nechte nože, aby kultivátor odtáhl až na konec dosahu Vašich rukou a poté kultivátor pevně přitáhněte směrem k sobě. Nejlepšího výsledku dosáhnete opakovaným povolováním kultivátoru v pohybu vpřed a opětovným přitážením zpět. Pohybem kultivátoru směrem k Vám dosáhnete agresivnějšího a hlubšího rytí nožů.

V případě, že se kultivátor zaboří hluboko a zůstane na jednom místě, jemně jím houpejte ze strany na stranu, až se začne znovu pohybovat kupředu.

⚠ VAROVÁNÍ:

! Abyste se vyvarovali zakopnutí, při pohybu vzad a při přitahování kultivátoru směrem k Vám dbejte zvýšené opatrnosti.

! S kultivátorem nikdy nepřejíždějte přes prodlužovací kabel. Ujistěte se, že kabel je vždy v bezpečné pozici za Vámi.

! Při práci ve svahu vždy stůjte šikmo ke svahu, abyste udrželi pevný, bezpečný postoj. Nepracujte na extrémně strmých svazích.

9. POUŽITÍ

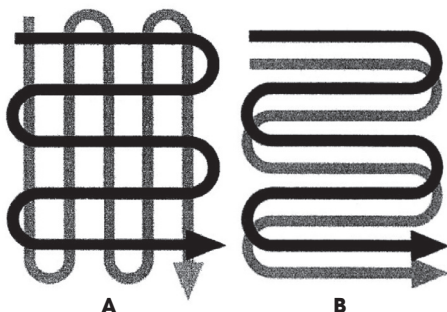
Pro přípravu záhonu k oseřím doporučujeme použít jeden z následujících vzorů:

Vzor kypření A – Kypřenou oblast dvakrát přejeďte, podruhé kolmo k prvnímu kypření, viz obr. 8.

Vzor kypření B – Kypřenou oblast dvakrát přejeďte, podruhé překřížte první kypření, viz obr. 8.

Před použitím z prostoru odstraňte všechny viditelné kameny nebo jiné cizí předměty.

Obr. 8



⚠ UPOZORNĚNÍ: Před přemisťováním kultivátoru z jednoho prostoru do druhého vypněte motor a vyčkejte, až se nože úplně zastaví. Buďte opatrní, aby se nože nedotkly země, když kultivátor přemisťujete. Nože i samotné zařízení mohou být poškozeny, i když je motor vypnutý.

Odstraňování cizích předmětů

Během provozu může kámen nebo kořen uvíznout v nožích nebo se vysoká tráva či plevel může omotat okolo hřídele. K očištění nožů či hřídele uvolněte spouštěcí páku, vyčkejte, až se nože úplně zastaví a kultivátor odpojte od napájení. Uvolněte či odstraňte cizí předměty z nožů či hřídele. Ke zjednodušení odstranění vysoké trávy či plevelů jeden nebo několik nožů demontujte.

10. ÚDRŽBA

Před prováděním údržby odpojte napájení.

Při provádění údržby používejte ochranné rukavice.

Před každým použitím zkontrolujte, zda prodlužovací kabel nejeví známky poškození nebo stárnutí. Vyměňte kabel, pokud je prasklý, roztržený nebo jinak poškozený. Zkontrolujte stav nožů a zajistěte pevné dotažení všech závitových spojů. Pokud jsou nože tupé, nabruste je nebo je vyměňte. Pro podporu zavolejte autorizované servisní středisko.

Opořebené nebo poškozené díly vyměňte pouze za originální náhradní díly. Díly z jiného kypřiče/kultivátoru nemusí být kompatibilní, což může vyústit ve vznik nebezpečné situace.

Zkontrolujte, že všechna bezpečnostní zařízení jsou bezpečná a v dobrém stavu. V případě potřeby je opravte nebo vyměňte. Jednou za sezónu namažte nože a hřídel. Před uložením na konci sezony kypřič/kultivátor zkontrolujte, zda není poškozen. Opravte nebo vyměňte poškozené díly.

⚠ UPOZORNĚNÍ: Kultivátor čistěte po každém použití. Neprovádění řádného čištění může vést k poškození kultivátoru nebo snížení jeho výkonu. Očistěte spodní nosnou desku motoru a kryt okolo nožů kartáčem a měkkým hadříkem navlhčeným ve směsi jemného mýdla a vody.

K čištění kultivátoru nikdy nepoužívejte hadici s vodou! Kultivátor nikdy nemyjte tekoucí a zejména tlakovou vodou.

Chcete-li odstranit půdu a nečistoty z převodovky a nožů, použijte tuhý kartáč nebo navlhčený hadřík. Vyčistěte otvory na krytu motoru a odstraňte veškeré zbytky trávy a nečistot. Hned po vyčištění nože a hřídel otřete do sucha a naneste tenkou vrstvu oleje, aby se zabránilo korozi.

Montáž a demontáž nožů

Za tímto účelem doporučujeme navštívit autorizované servisní středisko.

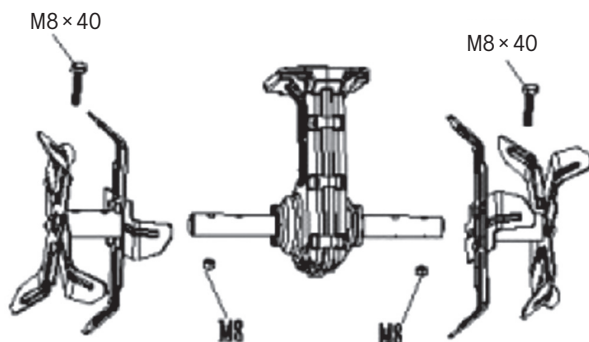
Opořebené nože poskytují pouze nízký výkon a přetěžují motor.

Před každým použitím nože zkontrolujte. V případě potřeby nůž nabruste nebo vyměňte. Pro podporu kontaktujte autorizované servisní středisko.

⚠ VAROVÁNÍ: Při práci na nožích může dojít ke zranění. Používejte ochranné rukavice.

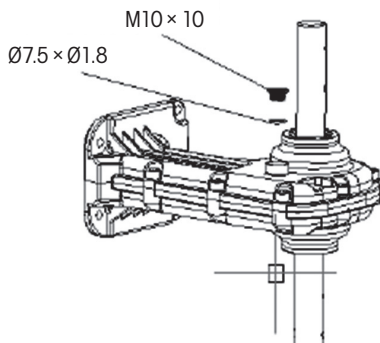
K sejmutí nožů z hřídele (obr. 9) vyšroubujte šroub M8 × 40 se šestihrannou hlavou z hřídele. Sejměte nože z hřídele. Při montáži nožů postupujte v opačném pořadí.

Obr. 9



Doplnění oleje do převodovky (obr. 10):

Výpustný šroub je umístěn na pravé straně převodové skříně. Před vyšroubováním výpustného šroubu položte kypříč/kultivátor na jeho levou stranu a očistěte převodovou skříně od nečistot. Pokud je to nutné, pro lepší přístup k výpustnému šroubu demontujte nože. K vyšroubování šroubu použijte 5mm imbusový klíč. Vypusťte olej z převodovky. Naplňte vysoce kvalitním SAE 30 olejem, až začne vytékat z otvoru. Znovu zašroubujte výpustný šroub.

Obr. 10

11. SKLADOVÁNÍ

⚠ POZOR: Riziko požáru! Převodová skříně může být během a po použití velmi horká. Kultivátor skladujte v bezpečné vzdálenosti od paliv, olejů, vazelin a plynů.

Důkladně vyčistěte celý stroj i jeho příslušenství.

Uložte jej mimo dosah dětí do stabilní a bezpečné polohy na chladném a suchém místě, vyhněte se příliš vysokým i příliš nízkým teplotám. Chraňte jej před působením přímého slunečního záření. Pokud je to možné, skladujte jej ve tmě. Neskladujte jej v plastických pytlích, aby se zabránilo nahromadění vlhkosti.

Na konci každé sezóny proveďte všeobecnou kontrolu stroje a odstraňte usazeniny, které se nahromadily. Na začátku každé sezóny se ujistěte, že jste zkontrolovali stav stroje. V případě nutnosti opravy, prosím, kontaktujte některého z našich servisních středisek (viz adresa na záručním listu).

Kultivátor skladujte na suchém a čistém místě bez přístupu dětí.

Při dlouhodobém skladování se ujistěte, že je kultivátor chráněn proti korozi a mrazu.

Na konci sezóny nebo pokud nebudete kultivátor používat déle než měsíc, potřete všechny kovové povrchy hadříkem navlhčeným v oleji nebo je postříkejte tenkou vrstvou oleje ve spreji, abyste je chránili proti korozi. Madlo sklopte dolů a kultivátor uložte na vhodném místě.

12. ŘEŠENÍ POTÍŽÍ

Problém	Možné příčiny	Náprava
Motor se nezapíná	Zařízení není připojeno k napájení	Připojte zařízení k napájení
	V síti není napětí	Zkontrolujte napájení
	Vadný kabel	Zkontrolujte kabel. V případě potřeby jej opravte nebo vyměňte.
	Vadný bezpečnostní spínač/zástrčka	Navštivte autorizované servisní středisko
	Aktivována pojistka proti přehřátí	<ol style="list-style-type: none"> Příliš velká pracovní hloubka, nastavte menší. Nože jsou zablokovány, odstraňte překážku. Půda je příliš tvrdá, zvolte správnou pracovní hloubku a pohybujte se strojem vpřed a vzad a současně snižte pracovní rychlost. Před dalším použitím vyčkejte zhruba 15 minut, než se motor ochladí.
Nadměrný hluk	Nože jsou zaseknuté	Zařízení vypněte. Vyčkejte, až se nože úplně zastaví. Uvízlé předměty odstraňte.
	Vytékající olej	Kultivátor musí být opraven. Pro podporu zavolejte na naši zákaznickou linku.
	Chybějící šrouby, matice či jiné součásti.	Všechny součásti utáhněte. Pokud hluk pokračuje, zařídte opravu.
Nadměrné vibrace	Nože jsou poškozené či opotřebované	Vyměňte poškozené či opotřebované nože.
	Příliš velká pracovní hloubka	Nastavte správnou pracovní hloubku.
Špatné výsledky práce	Příliš malá pracovní hloubka	Nastavte správnou pracovní hloubku.
	Opotřebované nože	Vyměňte poškozené či opotřebované nože.

13. TECHNICKÉ ÚDAJE

Model	FZK 2002 E
Napájení	230–240 V, 50 Hz
Příkon	750 W
Otáčky naprázdno	380/min
Šířka záběru	320 mm
Pracovní hloubka	20 cm
Počet nožů	4 ks
Hmotnost	8 kg

Hodnoty emisí hluku podle normy

LpA (akustický tlak)	79,0 dB(A)
LwA (hladina akustického výkonu)	93 dB(A)
Garantovaná hladina akustického výkonu LwA	MAX 96 dB(A)

Úroveň vibrací..... 1,158 m/s² K = 1,5 m/s²

14. PROHLÁŠENÍ O SHODĚ



FAST ČR, a.s.
Černokostecká 1621, 251 01 Říčany u Prahy, tel.: 323 204 111, fax: 323 204 110
E-mail: info@faster.cz
Cejl 31, 602 00 Brno, tel.: 531 010 292-3, fax: 531 010 294
E-mail: brno@faster.cz

CE PROHLÁŠENÍ O SHODĚ

Výrobce:

FAST ČR, a.s.
Černokostecká 2111, 100 00 Praha 10, Česká republika
DIČ: CZ26726548

Produkt/značka: Elektrický kultivátor/FIELDMANN

Typ/model: FZK 2002 E
230 V, 750 W, 50 Hz

Tento produkt splňuje níže uvedené předpisy:

ES směrnice pro nízkonapěťová elektrická zařízení č. 2006/95/ES
ES směrnice Rady 2006/42/ES pro strojní zařízení
ES směrnice pro elektromagnetickou kompatibilitu (EMC) č. 2004/108/ES
ES směrnice pro RoHS 2002/95/ES

a normy:

EN 60335-1:2002+A1+A11+A12+A13+A14+A15
EN 709:1997+A4
EN 62233:2008
ZEK 01.4-08/11.11
EN 55014-1:2006+A1+A2
EN 55014-2:1997+A1:2002
EN 61000-3-2:2006+A1+A2
EN 61000-3-3:2008

Označení CE: 15

Společnost FAST ČR, a. s. je oprávněna jednat jménem výrobce.

Místo vydání: Praha

Jméno: Ing. Zdeněk Pech
Předseda správní rady

Datum vydání: 22.9.2015

Podpis:

FAST FAST ČR, a.s. ©
Černokostecká 1621, 251 01 Říčany
IČO: 26726548 tel.: +420/ 323 204 111
DIČ: CZ26726548 fax: +420/ 323 204 110

Sídlo společnosti : Černokostecká 2111, 100 00, Praha 10
IČO: 26726548, DIČ: CZ26726548
Bankovní spojení: Komerční banka Praha 1, č.ú. 89309-011/0100

15. LIKVIDACE

Pokyny a informace o nakládání s použitým obalem

Použitý obalový materiál odložte na místo určené obcí k ukládání odpadu.



Stroj a jeho příslušenství jsou vyrobeny z různých materiálů, např. z kovu a plastů. Poškozené součástky odevzdejte do tříděného sběru. Informujte se u příslušného úřadu.



Tento výrobek splňuje veškeré základní požadavky směrnic EU, které se na něj vztahují.

Změny v textu, designu a technických specifikacích se mohou měnit bez předchozího upozornění a vyhrazujeme si právo na jejich změnu.

Návod k použití v originálním jazyce.

ELEKTRICKÝ KULTIVÁTOR

NÁVOD NA OBSLUHU

Ďakujeme Vám, že ste si kúpili tento elektrický kultivátor.

Skôr ako ho začnete používať, prečítajte si, prosím, pozorne tento návod na obsluhu a uschovajte ho pre prípad ďalšieho použitia. Tento produkt bol navrhnutý a vyrobený podľa našich vysokých noriem pre spoľahlivosť, jednoduché ovládanie a bezpečnosť obsluhy. Pri správnej starostlivosti Vám bude mnoho rokov spoľahlivo a bezproblémovo slúžiť.

OBSAH

1. Všeobecné bezpečnostné pokyny	40
Dôležité bezpečnostné upozornenia	40
Obal	42
Návod na použitie	42
2. Zásady bezpečnosti práce	43
Pracovné oblečenie/pracovný priestor	44
Prerušenie práce	44
Ostatné riziká	44
3. Symboly	45
4. Účel použitia	46
5. Popis stroja	46
6. Zostavenie	47
7. Pred zapnutím elektrického kultivátora	48
Prívodný kábel zariadenia	48
8. Prevádzka	49
9. Použitie	50
Odstraňovanie cudzích predmetov	50
10. Údržba	50
11. Skladovanie	52
12. Riešenie problémov	53
13. Technické údaje	54
14. Vyhlásenie o zhode	55
15. Likvidácia	56

1. VŠEOBECNÉ BEZPEČNOSTNÉ POKYNY

Dôležité bezpečnostné upozornenia

- ✿ Výrobok starostlivo vybalte a dajte pozor, aby ste nevyhodili žiadnu časť obalového materiálu, skôr ako nájdete všetky súčasti výrobku.
- ✿ Výrobok uchovávajte na suchom mieste mimo dosahu detí.
- ✿ Čítajte všetky upozornenia a pokyny. Zanedbanie pri dodržiavaní varovných upozornení a pokynov môže mať za následok úraz elektrickým prúdom, požiar a/alebo ťažké poranenia.
- ✿ Pred použitím sa uistite, či každý, kto bude zariadenie používať, si prečítal a porozumel týmto bezpečnostným pokynom a ďalším informáciám uvedeným v tomto návode.

⚠ UPOZORNENIE: Počas používania používajte vhodné prostriedky ochrany sluchu. Za určitých okolností a po určitom čase používania môže strojom vytváraný hluk spôsobiť stratu sluchu.

Kontrola poškodených dielov

Pred každým použitím sa musia všetky poškodené diely starostlivo skontrolovať, aby bolo možné stanoviť, že budú správne fungovať a plniť svoju funkciu. Skontrolujte nastavenie a upevnenie pohybujúcich sa častí, poškodenie dielov, upevnenie a ďalšie podmienky, ktoré môžu ovplyvniť prevádzku. Každý poškodený diel sa musí opraviť či vymeniť.

Nepoužívajte v nebezpečnom prostredí

Zariadenie nepoužívajte v daždi, pri búrke, vo vlhkom či mokrom prostredí. Zariadenie neprevádzkujte v prostredí s výskytom plynu alebo vo výbušnom prostredí. Motory týchto strojov počas prevádzky iskria a iskry by mohli výpary zapáliť.

Udržujte mimo dosahu detí

Okolostojace osoby, deti a zvieratá musia byť v bezpečnej vzdialenosti.

Vhodne sa oblečte

Nenoste voľné oblečenie a šperky a na dlhé vlasy používajte ochrannú sieťku. Mohlo by dôjsť k ich zachyteniu do pohybujúcich sa dielov. Pri práci vonku sa odporúča použitie rukavíc a pevných topánok.

Používajte ochranné okuliare

Pri používaní tohto produktu používajte ochranné okuliare s ochrannými bočnicami. V prípade prašného prostredia používajte tvárovú masku či respirátor.

Dvojitá izolácia

Kultivátor je vybavený dvojitou izoláciou. To znamená, že všetky kovové diely sú izolované od elektrického napájania. To sa dosiahlo izolačnou vrstvou medzi elektrickými a mechanickými časťami. Dvojitá izolácia Vám zaisťuje tú najvyššiu možnú bezpečnosť.

Predlžovací kábel

Uistite sa, či je predlžovací kábel v dobrom stave. Pri použití predlžovacieho kábla sa uistite, či je dostatočne silný, aby preniesol prúd potrebný na napájanie zariadenia. Poddimenzovaný predlžovací kábel spôsobí úbytok napájacieho napätia, ktorý vyústí do poklesu výkonu a prehrievania.

Predlžovací a prívodný kábel je možné zviazať uzlom, aby sa predišlo ich rozpojeniu pri používaní stroja. Uzol uviažte ako na obrázku nižšie, potom zapojte zástrčku na napájacom kábli do zásuvky na konci predlžovacieho kábla. Rovnakým spôsobom môžete spojiť aj dva predlžovacie káble.

Pri práci s kultivátorom dávajte pozor na predlžovací kábel. Dávajte pozor, aby ste sa o kábel nepotkli. Kábel vždy vedzte preč od nožov kultivátora.



Ochrana proti prehriatiu

Ak je kultivátor zablokovaný cudzím predmetom alebo je jeho motor preťažený, bezpečnostné zariadenie jeho motor automaticky vypne. Uvoľnite spúšťač páku a vyčkajte, kým sa motor neochladí (zhruba 15 minút), skôr ako kultivátor opäť zapnete.

Zariadenie odpojte od napájania v prípade, že ho nebudete používať alebo ho budete umývať či opravovať. Nenechávajte ho bez dozoru.

Nepoškodzujte kábel

Stroj nikdy nenoste za kábel ani za kábel netrhajte, aby ste ho vytiahli zo zásuvky. Kábel chráňte pred horúčavou, olejmi a ostrými hranami.

Používajte zariadenie správne

Nepoužívajte tento produkt na iné účely, než na aké je určený (pozrite kapitolu Účel použitia).

Neprečunajte sa

Kultivátor vedzte iba rýchlosťou kroku. Pri práci neustále udržiavajte pevný postoj a rovnováhu.

Osvetlenie

Kultivátor používajte iba za denného alebo silného umelého svetla.

V prípade nečinnosti zariadenie uložte pod strechu

Ak kultivátor nepoužívate, uložte ho pod strechu do suchého priestoru bez prístupu detí.

Vykonávajte dôkladnú údržbu stroja

Pre najlepší výkon a najmenšie riziko úrazu stroj udržiavajte čistý a pravidelne kontrolujte predlžovací kábel a v prípade, že je poškodený, vymeňte ho. Udržiavajte držadlá suché, čisté a nepoškodené olejom.

Zostaňte ostražití

Sledujte, čo robíte. Používajte zdravý rozum. Nepoužívajte kultivátor, ak ste unavení alebo ak ste pod vplyvom drog alebo liekov.

VAROVANIE: Kultivátor nepoužívajte v blízkosti podzemných elektrických či telefónnych káblov, potrubí a hadíc. Ak kultivátor narazí na cudzí predmet, okamžite ho vypnite, vyčkajte, až sa nože zastavia a skontrolujte, či nie sú poškodené. V prípade, že je to nevyhnutné, pred ďalšou prácou vyhľadajte služby autorizovaného servisu. Ak začne kultivátor nadmerne vibrovať, okamžite ho vypnite a vyhľadajte príčinu. Vibrácie sú obvykle známkou problému.

POZOR: Nebezpečenstvo porezania! Pri čistení alebo vykonávaní údržby kultivátora používajte ochranné rukavice a buďte opatrní.

Pred začatím akýchkoľvek prác na údržbe či opravách kultivátora zariadenie vypnite, vyčkajte, až sa jeho nože zastavia a odpojte ho od napájania.

UPOZORNENIE: Nože sa nezastavia ihneď po vypnutí kultivátora.

UPOZORNENIE: Riziko poranenia. Nepribližujte ruky, nohy ani žiadne iné časti tela alebo oblečenia k točiacim sa nožom kultivátora.

Obal

Výrobok je umiestnený v obale, ktorý bráni poškodeniam pri transporte. Tento obal je surovinou a je preto možné ho odovzdať na recykláciu.

Návod na použitie

Skôr ako začnete so strojom pracovať, prečítajte si nasledujúce bezpečnostné predpisy a preštudujte si zásady bezpečnosti práce so zariadením. Oboznámte sa s obslužnými prvkami a správnym používaním zariadenia. Návod dôkladne uschovajte pre prípad neskoršej potreby. Minimálne počas záruky odporúčame uschovať originálny obal vrátane vnútorného baliaceho materiálu, pokladničný doklad a záručný list. V prípade prepravy zabalte stroj späť do originálnej škatule od výrobcu, zaisťte si tak maximálnu ochranu výrobku pri prípadnom transporte (napr. sťahovaní alebo odoslaní do servisného miesta).

POZNÁMKA: Ak odovzdávate stroj ďalším osobám, odovzdajte ho spoločne s návodom. Dodržiavanie priloženého návodu na obsluhu je predpokladom riadneho používania stroja. Návod na obsluhu obsahuje tiež pokyny na obsluhu, údržbu a opravy. Výrobca nepreberá zodpovednosť za nehody alebo škody vzniknuté následkom nedodržiavania tohto návodu.

2. ZÁSADY BEZPEČNOSTI PRÁCE

- ✿ **Zariadenie nikdy nepoužívajte v prípade, že je poškodený či viditeľne opotrebený prírodný kábel.**
- ✿ **V prípade, že kultivátor pripojíte poškodeným káblom k zdroju napätia a potom sa dotknete miesta, kde je porušená izolácia skôr, než sa kultivátor od zdroja napätia odpojí, vystavujete sa riziku úrazu elektrickým prúdom.**
- ✿ **Takisto sa nikdy nedotýkajte nožov, kým nebude zariadenie odpojené od zdroja napätia, a kým sa nože úplne neprestanú otáčať.**
- ✿ **Dbajte na to, aby sa predlžovacie káble nikdy nedostali do kontaktu s nožmi. Nože by totiž mohli poškodiť izoláciu kábla, a tým by vzniklo riziko úrazu elektrickým prúdom pri dotyku niektorej časti tela a obnaženého vodiča, ak bude pod napätím.**
- ✿ **Zariadenie odpojte od prívodu napätia (t. j. vyťahnite vidlicu prírodného kábla zo sieťovej zásuvky):**
 - Ak musíte nechať zariadenie bez dozoru.
 - Ak sa chystáte odstrániť poruchu.
 - Pred každou kontrolou, každým čistením či opravou.
 - Ak narazíte pri práci na cudzie teleso.
 - Ak zariadenie nadmerne vibruje.
- ⚠ **ODPORÚČANIA:** Zariadenie pripájajte len k takému zdroju napätia, ktorý je vybavený prúdovým chráničom (RCD) s maximálnou hodnotou unikajúceho prúdu 30 mA.
- ✿ Ak je poškodený prírodný kábel, je nutná jeho výmena výrobcom alebo jeho autorizovaným zákazníckym servisom.
- ✿ Toto zariadenie nesmú obsluhovať osoby s obmedzenými fyzickými, zmyslovými či duševnými schopnosťami (vrátane detí). Takisto ho nesmú používať neskúsené osoby či také osoby, ktorých technické znalosti sú pre obsluhu tohto zariadenia zjavne nedostatočné. Tieto osoby môžu obsluhovať zariadenie iba pod dohľadom spôsobilých osoby, alebo po náležitom poučení o zásadách bezpečnosti práce.
- ✿ Ak sa pohybujú v blízkosti zariadenia deti, je nevyhnutné dozerať na to, aby sa so zariadením nehrali.
- ✿ Pociť mravčenia v rukách alebo dokonca ich necitlivosť je príznakom nadmerných vibrácií. V takom prípade skráťte prácu, prerušujte ju dostatočne dlhými prestávkami, rozdeľte ju medzi niekoľkých ľudí alebo, v prípade dlhodobého používania kultivátora, používajte pri práci špeciálne antivibračné rukavice.
- ✿ Nevyhnutným sprievodným javom používania kultivátora je to, že za chodu vydáva hluk. Hlučné práce preto vykonávajte iba vo vyhradených hodinách, resp. v čase, ktorý je pre tieto činnosti bežný. Rešpektujte čas pokoja a prácu sa snažte skrátiť na nevyhnutný čas. Takisto odporúčame, aby ste Vy aj osoby, pohybujúce sa v bezprostrednej blízkosti kultivátora, boli vybavení chráničmi sluchu.

- ✿ Nepoužívajte elektrický kultivátor s poškodenými, deformovanými alebo opotrebenými bezpečnostnými zariadeniami (blokovanie zapnutia, bezpečnostný kryt) a/alebo nožmi. Aby nevznikala nevyváženosť, chybne diely a skrutky je nutné vymieňať zásadne po súpravách.
- ✿ Pred prácou vyhľadajte a odstráňte cudzie predmety (napríklad kamene, vetvy atď.).
- ✿ Ak pri práci narazíte na prekážku, alebo ak sa nože zaseknú, elektrický kultivátor vypnite, vyťahnite zástrčku zo zásuvky a počkajte, až sa nože zastavia. Potom prekážku odstráňte. Skontrolujte, či nie je elektrický kultivátor poškodený a ak je to nutné, vyhľadajte pomoc autorizovaného servisného strediska.
- ✿ Elektrický kultivátor používajte iba na účely uvedené v tomto návode na obsluhu.
- ✿ Kultivátor nefahajte po tvrdom povrchu (betón, chodníčky) alebo do/zo schodov. Nepreťažujte motor. Na kultivátor nepridávajte žiadnu prídavnú záťaž. Po použití kultivátor odpojte od napájania a skontrolujte, či stroj a najmä nože nie sú poškodené a v prípade potreby vyhľadajte autorizované servisné stredisko.
- ✿ Pri chôdzi pospiatky buďte maximálne opatrní. Môžete sa potknúť!
- ✿ Pri práci na svahu pracujte vždy kolmo k svahu a udržujte bezpečný a pevný postoj.
- ✿ Dbajte na zvýšenú opatrnosť pri zmene smeru na svahu a nepracujte na extrémne strmých svahoch.
- ✿ Pracujte iba za dobrej viditeľnosti.

Pracovné oblečenie/pracovný priestor

- ✿ Zodpovedáte za bezpečnosť v pracovnom priestore.
- ✿ Uistite sa, či sa v blízkosti pracovného priestoru nenachádzajú žiadne osoby (obzvlášť deti) alebo zvieratá.
- ✿ Na ochranu nôh si oblečte pevné pracovné topánky a dlhé nohavice. Kultivátor nikdy nepoužívajte v sandáloch alebo naboso.
- ✿ Udržujte ruky a nohy mimo dosahu nožov – a to obzvlášť pri zapínaní stroja! Predlžovací kábel udržujte mimo dosahu nožov.
- ✿ Oboznámte sa s okolím a dávajte pozor na možné riziká, ktoré by ste mohli prepočúť kvôli hluku stroja.
- ✿ Prístroj nikdy nepoužívajte za dažďa alebo vo vlhkom či mokrom prostredí. Nikdy nepracujte v bezprostrednom okolí bazénov a záhradných jazierok.










Prerušenie práce

- ✿ Elektrický kultivátor nikdy nenechávajte na pracovnej ploche bez dozoru.
- ✿ Pri prerušení práce vždy ponechajte elektrický kultivátor na bezpečnom mieste a odpojte ho od napájania.
- ✿ Pri premiestňovaní z jednej pracovnej plochy na inú kultivátor vypnite a počkajte, až sa nože zastavia. Odpojte napájací kábel.

Ostatné riziká

- ✿ Napriek tomu, že sú naše výrobky konštruované tak, aby vyhovovali platným technickým normám a bezpečnostným predpisom, pretrvávajú v spojení s obsluhou zariadenia pre jeho používateľa niektoré riziká:
 - Z priestoru nožov môžu odlietať kamene alebo ich úlomky.
 - Ak nebude obsluha zariadenia pri práci používať ochranu sluchu, vystavuje sa riziku následného ohluchnutia.
 - Poranenie prstov pri údržbe nožov.
 - Vdýchnutie prachových častíc vzniknutých pri práci s kultivátorom.
 - Zasiahnutie elektrickým prúdom pri dotyku neizolovaných súčastí.

3. SYMBOLY

	<p>Varovanie: Prečítajte si návod na obsluhu!</p>
	<p>Nepoužívajte v daždi či za mokra!</p>
	<p>Ostatné osoby sa musia zdržiavať v bezpečnej vzdialenosti!</p>
	<p>Rotujúce súčasti! Nože kultivátora sa zastavia až chvíľu po vypnutí motora.</p>
	<p>Kultivátor vždy vypnite a odpojte od napájania pred kontrolou poškodenia prírodného kábla alebo pred čistením nožov.</p>
	<p>Chráňte kábel pred kontaktom s nožmi!</p>
	<p>V súlade so základnými platnými bezpečnostnými štandardmi európskych smerníc.</p>
	<p>Toto zariadenie je chránené dvojitou izoláciou; preto nie je nutné použitie uzemňovacieho vodiča. Vždy skontrolujte, či sieťové napätie zodpovedá napätiu na typovom štítku.</p>
	<p>Používajte ochranu sluchu! Používajte ochranu zraku! Používajte ochranu dýchacích ciest!</p>

4. ÚČEL POUŽITIA

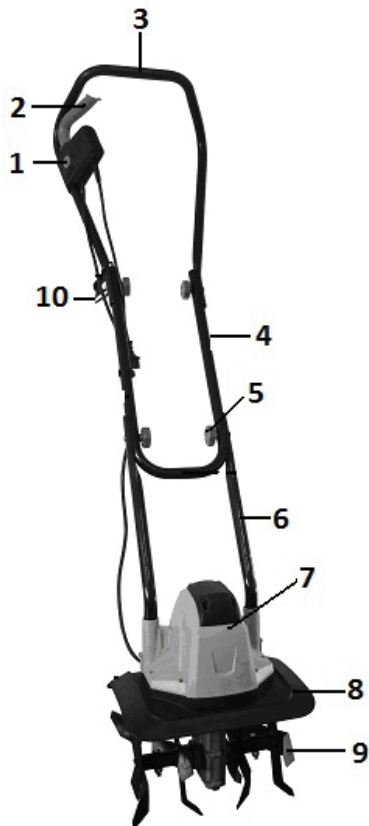
Elektrický kultivátor FIELDMANN je určený na rozdrobovanie veľkých hrúd a stvrdnutej pôdy na malých až stredne veľkých pestovateľských plochách, na domácich záhradách a v záhradkárskejších kolóniách. Nie je určený na použitie na verejných ihriskách, v parkoch, športových centrách, na cestách, v poľnohospodárstve alebo lesníctve.

Elektrický kultivátor sa nesmie používať na rozbíjanie kameňov alebo preorávanie trávnatých plôch!

Dodržiavanie týchto pokynov je predpokladom na správne použitie elektrického kultivátora.

5. POPIS STROJA

Obr. 1



1. Bezpečnostná poistka spínača
2. Spínacia páka
3. Horný diel držadla
4. Stredný diel držadla
5. Skrutka držadla s krídlou maticou
6. Spodný diel držadla
7. Motor
8. Ochrany kryt nožov
9. Oceľové nože
10. Bezpečnostný držiak kábla

6. ZOSTAVENIE

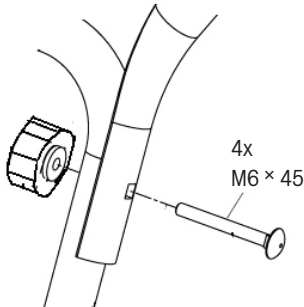
1. Nasuňte spodné diely držadla do otvorov v tele kultivátora a zaistite ich priloženými skrutkami M4 × 20 (obr. 2).

Obr. 2



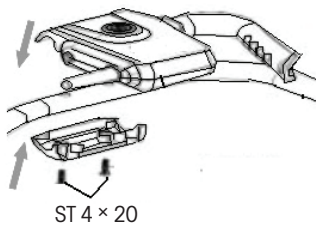
2. K spodnému dielu držadla pripojte stredné diely držadla a zaistite krídlovou maticou (obr. 3).

Obr. 3

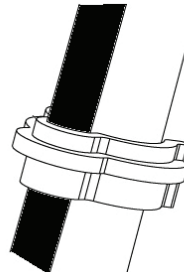


3. Inštalácia horného dielu držadla:
 - najprv na horný diel nasadíte bezpečnostný držiak kábla (na pravú stranu) (obr. 1 bod 10)
 - Pripojte horný diel držadla k strednému a zaistite skrutky s krídlovou maticou (obr. 3)
 - Pomocou priložených skrutiek ST4 × 20 pripevnite k držadlu spínaciu skriňu (obr. 4). Jednotlivé časti spínacej skrine musia zapadnúť do otvorov v držadle. Následne káble k držadlu prichyťte plastovými úchytmi (obr. 5).

Obr. 4



Obr. 5



- ⚠ **VAROVANIE:** Ak sú akékoľvek diely poškodené alebo chýbajú, s produktom nepracujte, kým nie sú vymenené. Nedodržanie tohto varovania môže mať za následok vážne zranenie.
- ⚠ **VAROVANIE:** Nepokúšajte sa upravovať tento výrobok alebo vytvoriť príslušenstvo, ktoré sa neodporúča na použitie s týmto produktom. Každá takáto zmena alebo úprava je nesprávnym použitím a môže viesť k nebezpečnému stavu, čo môže mať za následok vážne zranenie.
- ⚠ **VAROVANIE:** Nepripájajte zariadenie k zdroju napätia, kým nie je dokončené jeho zostavenie. Nedodržanie tohto pokynu môže viesť k náhodnému spusteniu a k možnému vážnemu zraneniu.

7. PRED ZAPNUTÍM ELEKTRICKÉHO KULTIVÁTORA

- ⚠ **POZOR:** Nikdy nedemontujte ani nepremosťujte bezpečnostné zariadenia namontované na elektrickom kultivátore (napríklad upevnenie stlačeného tlačidla/páky k rukoväti).
- ⚠ **POZOR:** Nože kultivátora sa budú aj po vypnutí stroja krátku chvíľu otáčať! Nikdy nezdvíhajte alebo neprenášajte kultivátor so zapnutým motorom. Pri zapínaní sa uistite, či sú Vaše nohy v bezpečnej vzdialenosti od nožov kultivátora.
- ⚠ **POZOR:** Kultivátor vždy ved'te za držadlá oboma rukami. Kultivátor ved'te iba rýchlosťou chôdze.

Pred zapnutím kultivátora sa presvedčte, či sa jeho nože nedotýkajú žiadneho predmetu, a či sa môžu voľne pohybovať. Držadlo držte pevne oboma rukami. Nikdy nepracujte s kultivátorom jednou rukou

- ⚠ **POZOR:** Kultivátor môže poskočiť nahor a/alebo dopredu, ak nože narazia na veľmi tvrdú či zmrznutú pôdu alebo na prekážky skryté v pôde, ako sú veľké kamene, korene alebo pne.

Prívodný kábel zariadenia

Používajte iba nepoškodené prívodné káble.

Celková dĺžka prívodných káblov nesmie prekročiť 40 metrov, pretože prekročenie tejto vzdialenosti vedie k zníženiu výkonu elektromotora. Prívodný kábel musí mať prierez $3 \times 1,5 \text{ mm}^2$.

Vidlice a zásuvky na prívodné káble musia byť vyrobené z gumy a odolné voči striekajúcej vode. Dlhšie prívodné káble vyžadujú väčšie prierezy vodičov. Prívodné káble a spojovacie vedenie sa musia pravidelne kontrolovať z hľadiska poškodenia. Pred kontrolou vedenia sa uistite, či sú bez napätia. Prívodný kábel celkom rozviňte. Skontrolujte aj miesta vstupu kábla, zástrčky a zásuvky.

8. PREVÁDZKA

⚠ DÔLEŽITÉ UPOZORNENIE:

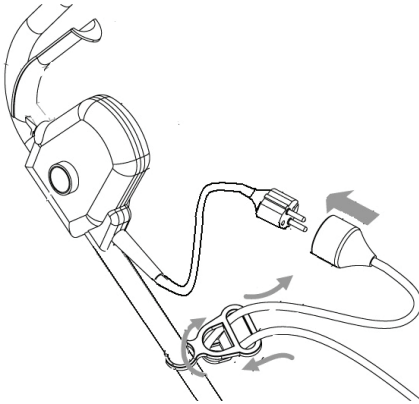
! Pred zapnutím motora najprv kultivátor presuňte do miesta, kde budete pracovať.

! Počas zapínania kultivátor pevne držte.

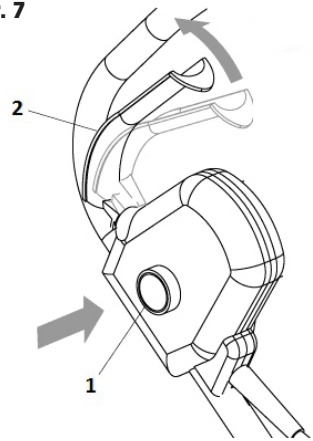
! Počas práce nože kultivátora potiahnu smerom vpred. Pomocou držiadiel nože pomaly sklopte dole.

1. Zapnutie
 - Pripojte prívodný napájací kábel a zaistite ho do bezpečnostného držiaka kábla (obr. 6)
2. Najprv stlačte bezpečnostnú poistku spínača (obr. 7, bod 1) a držte ju stlačenú. Potom pritiahnite spínaciu páku k držadlu (obr. 7, bod 2) a uvoľnite bezpečnostnú poistku.

Obr. 6



Obr. 7



⚠ UPOZORNENIE:

Kultivátor používajte na rozbíjanie mačiny, prípravu záhonov na osiatie.

Na rozbíjanie mačiny alebo hlboké kyprenie nechajte nože, aby kultivátor odtiahli až na koniec dosahu vašich rúk a potom kultivátor pevne pritiahnite smerom k sebe. Najlepší výsledok dosiahnete opakovaným povoľovaným kultivátora v pohybe vpred a opätovným pritiahnutím späť. Pohybom kultivátora smerom k vám dosiahnete agresívnejšie a hlbšie rytie nožov.

V prípade, že sa kultivátor zaborí hlboko a zostane na jednom mieste, jemne ním kývajte zo strany na stranu, až sa začne znovu pohybovať dopredu.

⚠ VAROVANIE:

! Aby ste sa vyvarovali zakopnutia, pri pohybe vzad a pri príťahovaní kultivátora smerom k vám dbajte na zvýšenú opatnosť.

! S kultivátorom nikdy neprechádzajte cez predĺžovací kábel. Uistite sa, či je kábel vždy v bezpečnej pozícii za Vami.

! Pri práci na svahu vždy stojte šikmo k svahu, aby ste udržali pevný, bezpečný postoj. Nepracujte na extrémne strmých svahoch.

9. POUŽITIE

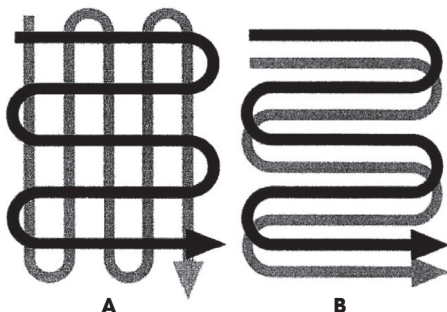
Na prípravu záhona na osiatie odporúčame použiť jeden z nasledujúcich vzorov:

Vzor kyprenia A – Kyprenú oblasť dvakrát prejdite, druhýkrát kolmo k prvému kypreniu, pozrite obr. 8.

Vzor kyprenia B – Kyprenú oblasť dvakrát prejdite, druhýkrát prekrývajte prvé kyprenie, pozrite obr. 8.

Pred použitím z priestoru odstráňte všetky viditeľné kamene alebo iné cudzie predmety.

Obr. 8



⚠ UPOZORNENIE: Pred premiestňovaním kultivátora z jedného priestoru do druhého vypnite motor a vyčkajte, až sa nože úplne zastavia. Buďte opatrní, aby sa nože nedotkli zeme, keď kultivátor premiestňujete. Nože aj samotné zariadenie môžu byť poškodené, aj keď je motor vypnutý.

Odstraňovanie cudzích predmetov

Počas prevádzky môže kameň alebo koreň uviaznuť v nožoch alebo sa vysoká tráva či burina môžu omotať okolo hriadeľa. Na očistenie nožov či hriadeľa uvoľnite spúšťač páku, vyčkajte, až sa nože úplne zastavia a kultivátor odpojte od napájania. Uvoľnite či odstráňte cudzie predmety z nožov či hriadeľa. Na zjednodušenie odstránenia vysokej trávy či buriny jeden alebo niekoľko nožov demontujte.

10. ÚDRŽBA

Pred vykonávaním údržby odpojte napájanie.

Pri vykonávaní údržby používajte ochranné rukavice.

Pred každým použitím skontrolujte, či predlžovací kábel nejaví známky poškodenia alebo starnutia. Vymeňte kábel, ak je prasknutý, rozstrapkaný alebo inak poškodený. Skontrolujte stav nožov a zaistite pevné dotiahnutie všetkých závitových spojov. Ak sú nože tupé, nabrúste ich alebo ich vymeňte. Na podporu zavolajte autorizované servisné stredisko.

Opotrebené alebo poškodené diely vymeňte iba za originálne náhradné diely. Diely z iného kypriča/kultivátora nemusia byť kompatibilné, čo môže vyústiť do vzniku nebezpečnej situácie.

Skontrolujte, či všetky bezpečnostné zariadenia sú bezpečné a v dobrom stave. V prípade potreby ich opravte alebo vymeňte. Raz za sezónu namažte nože a hriadeľ. Pred uložením na konci sezóny kyprič/kultivátor skontrolujte, či nie je poškodený. Opravte alebo vymeňte poškodené diely.

⚠ UPOZORNENIE: Kultivátor čistite po každom použití. Nedostatočné čistenie môže viesť k poškodeniu kultivátora alebo zníženiu jeho výkonu. Očistite spodnú nosnú dosku motora a kryt okolo nožov kefou a mäkkou handričkou navlhčenou v zmesí jemného mydla a vody.

Na čistenie kultivátora nikdy nepoužívajte hadicu s vodou! Kultivátor nikdy neumývajte tečúcou a najmä tlakovou vodou.

Ak chcete odstrániť pôdu a nečistoty z prevodovky a nožov, použite tuhú kefu alebo navlhčenú handričku. Vyčistite otvory na kryte motora a odstráňte všetky zvyšky trávy a nečistôt. Hneď po vyčistení nože a hriadeľ utrite do sucha a naneste tenkú vrstvu oleja, aby sa zabránilo korózii.

Montáž a demontáž nožov

Na tento účel odporúčame navštíviť autorizované servisné stredisko.

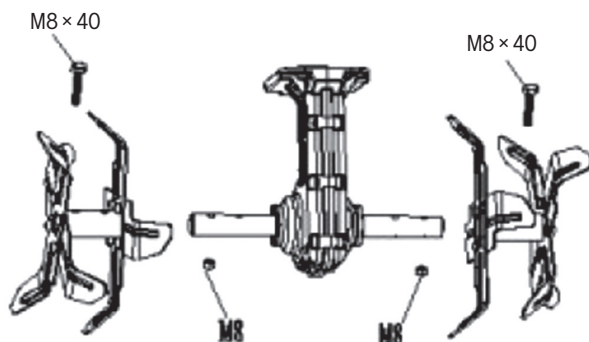
Opotrebené nože poskytujú iba nízky výkon a preťažujú motor.

Pred každým použitím nože skontrolujte. V prípade potreby nôž nabrúste alebo vymeňte. Pre podporu kontaktujte autorizované servisné stredisko.

⚠ VAROVANIE: Pri práci na nožoch môže dôjsť k zraneniu. Používajte ochranné rukavice.

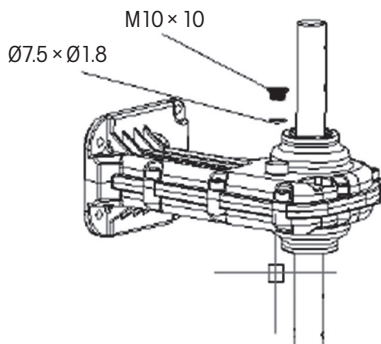
Na odobratie nožov z hriadeľa (Obr. 9) vyskrutkujte skrutku M8 × 40 so šesťhrannou hlavou z hriadeľa. Odoberte nože z hriadeľa. Pri montáži nožov postupujte v opačnom poradí.

Obr. 9



Doplnenie oleja do prevodovky (Obr. 10):

Výpustná skrutka je umiestnená na pravej strane prevodovej skrine. Pred vyskrutkovaním výpustnej skrutky položte kyprič/kultivátor na jeho ľavú stranu a očistite prevodovú skriňu od nečistôt. Ak je to nutné, na lepší prístup k výpustnej skrutke demontujte nože. Na vyskrutkovanie skrutky použite 5 mm imbusový kľúč. Vypustíte olej z prevodovky. Naplňte vysokokvalitným SAE 30 olejom, kým nezačne vytekať z otvoru. Znovu zaskrutkujte výpustnú skrutku.

Obr. 10

11. SKLADOVANIE

⚠ POZOR: Riziko požiaru! Prevodová skriňa môže byť počas a po použití veľmi horúca. Kultivátor skladujte v bezpečnej vzdialenosti od palív, olejov, vazelín a plynov.

Dôkladne vyčistite celý stroj aj jeho príslušenstvo.

Uložte ho mimo dosahu detí do stabilnej a bezpečnej polohy na chladnom a suchom mieste, vyhnite sa príliš vysokým aj príliš nízkym teplotám. Chráňte ho pred pôsobením priameho slnečného žiarenia. Ak je to možné, skladujte ho v tme. Neskladujte ho v plastikových vreciach, aby sa zabránilo nahromadeniu vlhkosti.

Na konci každej sezóny vykonajte všeobecnú kontrolu stroja a odstráňte usadeniny, ktoré sa nahromadili. Na začiatku každej sezóny sa uistite, či ste skontrolovali stav stroja. V prípade nutnosti opravy, prosím, kontaktujte niektoré z našich servisných stredísk (pozrite adresu na záručnom liste).

Kultivátor skladujte na suchom a čistom mieste bez prístupu detí.

Pri dlhodobom skladovaní sa uistite, či je kultivátor chránený proti korózii a mrazu.

Na konci sezóny alebo ak nebudete kultivátor používať dlhšie než mesiac, potrite všetky kovové povrchy handričkou navlhčenou v oleji alebo ich postriekajte tenkou vrstvou oleja v spreji, aby ste ich chránili proti korózii. Držadlo sklopte dole a kultivátor uložte na vhodnom mieste.

12. RIEŠENIE PROBLÉMOV

Problém	Možné príčiny	Náprava
Motor sa nezapína	Zariadenie nie je pripojené na napájanie	Pripojte zariadenie na napájanie
	V sieti nie je napätie	Skontrolujte napájanie
	Chybný kábel	Skontrolujte kábel. V prípade potreby ho opravte alebo vymeňte.
	Chybný bezpečnostný spínač/zástrčka	Navštívte autorizované servisné stredisko
	Aktivovaná poisťka proti prehriatiu	<ol style="list-style-type: none"> 1. Príliš veľká pracovná hĺbka, nastavte menšiu. 2. Nože sú zablokované, odstráňte prekážku. 3. Pôda je príliš tvrdá, zvolte správnu pracovnú hĺbku a pohybujte so strojom vpred a vzad a súčasne znížte pracovnú rýchlosť. Pred ďalším použitím vyčkajte zhruba 15 minút, než sa motor ochladí.
Nadmerný hluk	Nože sú zaseknuté	Zariadenie vypnite. Vyčkajte, kým sa nože úplne nezastavia. Uviaznuté predmety odstráňte.
	Vytekajúci olej	Kultivátor sa musí opraviť. Pre podporu zavolajte na našu zákaznícku linku.
	Chýbajúce skrutky, matice či iné súčasti.	Všetky súčasti utiahnite. Ak hluk pokračuje, zariadenie opravu.
Nadmerné vibrácie	Nože sú poškodené či opotrebované	Vymeňte poškodené či opotrebované nože.
	Príliš veľká pracovná hĺbka	Nastavte správnu pracovnú hĺbku.
Zlé výsledky práce	Príliš malá pracovná hĺbka	Nastavte správnu pracovnú hĺbku.
	Opotrebované nože	Vymeňte poškodené či opotrebované nože.

13. TECHNICKÉ ÚDAJE

Model	FZK 2002 E
Napájanie	230 – 240 V, 50 Hz
Príkonn	750 W
Otáčky naprázdno	380/min
Šírka záberu	320 mm
Pracovná hĺbka	20 cm
Počet nožov	4 ks
Hmotnosť	8 kg

Hodnoty emisií hluku podľa normy

LpA (akustický tlak)	79,0 dB(A)
LwA (hladina akustického výkonu)	93 dB(A)
Garantovaná hladina akustického výkonu LwA	MAX. 96 dB(A)

Úroveň vibrácií..... 1,158 m/s² K = 1,5 m/s²

14. VYHLÁSENIE O ZHODE



FAST ČR, a. s.
Černokostelecká 1621, 251 01 Říčany u Prahy, tel.: 323 204 111, fax: 323 204 110
E-mail: info@fastcr.sk
Cejl 31, 602 00 Brno, tel.: 531 010 292-3, fax: 531 010 294
E-mail: brno@fastcr.sk

CE VYHLÁSENIE O ZHODE

Výrobca:

FAST ČR, a. s.
Černokostelecká 2111, 100 00 Praha 10, Česká republika
DIČ: CZ26726548

Produkt/značka: Elektrický kultivátor/FIELDMANN

Typ/model: FZK 2002 E
230 V, 750 W, 50 Hz

Tento produkt spĺňa nižšie uvedené predpisy:

ES smernica pre nízkonapäťové elektrické zariadenia č. 2006/95/ES
ES smernica Rady 2006/42/ES pre strojové zariadenia
ES smernica pre elektromagnetickú kompatibilitu (EMC) č. 2004/108/ES
ES smernica pre RoHS 2002/95/ES

a normy:

EN 60335-1:2002+A1+A11+A12+A13+A14+A15
EN 709:1997+A4
EN 62233:2008
ZEK 01.4-08/11.11
EN 55014-1:2006+A1+A2
EN 55014-2:1997+A1:2002
EN 61000-3-2:2006+A1+A2
EN 61000-3-3:2008

Označenie CE: 15

Spoločnosť FAST ČR, a. s., je oprávnená konať v mene výrobcu.

Miesto vydania: Praha

Meno: Ing. Zdeněk Pech
Predseda správnej rady

Dátum vydania: 22.9.2015

Podpis:

FAST FAST ČR, a. s.
Černokostelecká 1621, 251 01 Říčany
IČO: 26726548 tel.: +420/ 323 204 111
DIČ: CZ26726548 fax: +420/ 323 204 110

Sídlo spoločnosti : Černokostelecká 2111, 100 00, Praha 10
IČO: 26726548, DIČ: CZ26726548
Bankové spojenie: Komerční banka Praha 1, č. ú. 89309-011/0100

15. LIKVIDÁCIA

Pokyny a informácie o zaobchádzaní s použitým obalom

Použitý obalový materiál odložte na miesto určené obcou na ukladanie odpadu.



Stroj a jeho príslušenstvo sú vyrobené z rôznych materiálov, napr. z kovu a plastov. Poškodené súčiastky odovzdajte do triedeného zberu. Informujte sa na príslušnom úrade.



Tento výrobok spĺňa všetky základné požiadavky smerníc EÚ, ktoré sa naň vzťahujú.

Zmeny v texte, dizajne a technických špecifikáciách sa môžu meniť bez predchádzajúceho upozornenia a vyhradujeme si právo na ich zmenu.

Návod na použitie v originálnom jazyku.

ELEKTROMOS KULTIVÁTOR HASZNÁLATI ÚTMUTATÓ

Köszönjük, hogy megvásárolta ezt az elektromos kultivátort.

Mielőtt használni kezdi, figyelmesen olvassa el ezt a használati útmutatót és őrizze meg a későbbiekre. Ezt a terméket a megbízhatóságot, a könnyű és biztonságos kezelést középpontba helyező szigorú követelményeink figyelembe vételével terveztük és gyártottuk. Megfelelő karbantartás mellett sok éven át megbízhatóan és problémamentesen fogja Önt szolgálni.

TARTALOM

1. Általános biztonsági előírások	58
Fontos biztonsági utasítások.....	58
Csomagolás	60
Használati útmutató.....	60
2. A biztonságos munkavégzés alapelvei.....	61
Munkaruha/munkaterület.....	62
A munka megszakítása.....	62
Egyéb kockázatok.....	62
3. Jelek	63
4. A használat célja.....	64
5. A gép leírása	64
6. Összeszerelés.....	65
7. Az elektromos kultivátor bekapcsolása előtt.....	66
A készülék tápkábele.....	66
8. Üzemeltetés.....	67
9. Használat.....	68
Idegen tárgyak eltávolítása.....	68
10. Karbantartás.....	68
11. Tárolás.....	70
12. Hibaelhárítás.....	71
13. Műszaki adatok.....	72
14. Megfelelőségi nyilatkozat.....	73
15. Megsemmisítés.....	74

1. ÁLTALÁNOS BIZTONSÁGI ELŐÍRÁSOK

Fontos biztonsági utasítások

- ✿ A terméket gondosan csomagolja ki és ügyeljen arra, hogy ne dobjon ki semmit, mielőtt minden alkatrészt meg nem talál.
- ✿ A gépet tartsa száraz helyen és gyermekektől távol.
- ✿ Olvassa el valamennyi figyelmeztetést és utasítást. A figyelmeztetések és utasítások figyelmen kívül hagyásának áramütés, tűz és/vagy súlyos sérülés lehet a következménye.
- ✿ Használat előtt gondoskodjon róla, hogy mindenki, aki a készüléket használni fogja, olvassa el és ismerje meg az ebben az útmutatóban feltüntetett biztonsági utasításokat és egyéb információkat.

⚠ FIGYELMEZTETÉS: Munka közben használjon megfelelő fülvédő eszközt. Bizonyos körülmények között és bizonyos használati idő után a gép által keltett zaj hallásvesztést okozhat.

A sérült alkatrészek ellenőrzése

Minden használat előtt gondosan ellenőrizni kell valamennyi sérült alkatrészt, hogy megállapítsa, megfelelően fog-e működni. Ellenőrizze a mozgó alkatrészek helyzetét és beállítását, az alkatrészek sérülését, a rögzítéseket és az egyéb, a működést befolyásoló körülményeket. Minden sérült alkatrészt meg kell javítani vagy ki kell cserélni.

Ne használja veszélyes környezetben

A készüléket ne használja esőben, viharban, párássá vagy nedves környezetben. A készüléket ne működtesse robbanásveszélyes környezetben vagy gázok közelében. Ezen gépek motorjai működés közben szikráznak és a szikrák meggyújthatják a gőzöket.

Tartsa távol a gyermekektől

A környezetben levő embereknek, gyerekeknek és állatoknak biztonságos távolságban kell lenniük.

Viseljen megfelelő öltözetet

Ne viseljen laza ruhát és ékszereket, hosszú hajra tegyen védőhálót. Ezek beakadhatnak a mozgó alkatrészekbe. A szabadban történő munkavégzéskor ajánlott kesztyű és stabil cipő viselése.

Viseljen védőszemüveget

A gép használata közben viseljen oldalvédelemmel ellátott védőszemüveget. Poros környezetben használjon arcvédő maszkot vagy respirátort.

Kettős szigetelés

A kultivátor kettős szigeteléssel rendelkezik. Ez azt jelenti, hogy valamennyi fém alkatrész el van szigetelve az elektromos tápellátástól. Ezt az elektromos és mechanikus alkatrészek közti szigetelő réteg biztosítja. A kettős szigetelés a lehetséges legnagyobb biztonságot garantálja Önnek.

Hosszabbító kábel

Győződjön meg róla, hogy a hosszabbító kábel jó állapotban van. Hosszabbító kábel használatakor bizonyosodjon meg róla, hogy elég erős-e ahhoz, hogy a készülék tápellátásához szükséges áramot továbbítsa. Az alacsonyabb kapacitású hosszabbító kábel feszültségvesztést okoz, ami teljesítménycsökkenéssel és túlmelegedéssel jár. A hosszabbító kábel és a tápkábel csomóira köthető, hogy megelőzze, hogy a gép használata közben szétcsúszszanak. A csomót az alábbi ábra szerint kösse meg, majd csatlakoztassa a tápkábel csatlakozóját a hosszabbító kábel végén található konnektorba. Ugyanígy köthet össze két hosszabbító kábelt.

A kultivátorral végzett munka közben figyeljen a hosszabbító kábelre. Ügyeljen, nehogy megbotojjon a kábelben. A kábelt mindig tartsa távol a kultivátor késeitől.



Túlmelegedés elleni védelem

Ha a kultivátort egy idegen tárgy blokkolja, vagy a motor túl van terhelve, a biztonsági berendezés automatikusan kikapcsolja a motorját. Engedje el az indítókart, és várja meg, amíg a motor lehűl (kb. 15 perc), mielőtt újra bekapcsolja.

A készüléket húzza ki a tápfeszültségből, ha nem használja, vagy ha tisztítani vagy javítani akarja. Ne hagyja felügyelet nélkül.

Ne sérüljön meg a kábel

A gépet soha ne helyezze át a kábelnél fogva, és ne a kábelt húzza, ha ki akarja húzni a konnektorból. Óvja a kábelt a magas hőtől, olajtól és az éles tárgyaktól.

Helyesen használja a készüléket

Soha se használja a terméket más célra, mint amire tervezték (lásd A használat célja c. részt).

Ne becsülje túl magát

A kultivátort csak gyalogló sebességgel tolja. A munka közben mindig álljon stabilan és tartsa meg az egyensúlyát.

Világítás

A kultivátort csak nappali vagy erős mesterséges fény mellett használja.

Ha a készüléket nem használja, tárolja fedél alatt

Ha a kultivátort nem használja, tegye fedél alá száraz helyre, ahol gyerekek nem férnek hozzá.

Gondosan tartsa karban a gépet

A legjobb teljesítmény és a balesetveszély elkerülése érdekében a gépet tartsa tisztán, rendszeresen ellenőrizze a hosszabbító kábelt, és ha sérült, cserélje ki. A fogantyúkat tartsa szárazon, tisztán és olajmentesen.

Legyen óvatos

Figyeljen arra, amit csinál. Használja a józan eszét. Ne használja a kultivátort, ha fáradt, vagy drog vagy gyógyszer hatása alatt van.

⚠ FIGYELEM: A kultivátort ne használja földalatti elektromos vagy telefonkábelek, vezetékek és tömlők közelében. Ha a kultivátor idegen tárgynak ütközik, azonnal kapcsolja ki, várjon, amíg a kések megállnak, és ellenőrizze, hogy nem sérültek-e meg. Amennyiben szükséges, a munka folytatása előtt keresse fel a szakszervízt. Ha a kultivátor túlságosan rázkódni kezd, azonnal kapcsolja ki, és keresse meg az okát. A rázkódás többnyire valami problémára utal.

⚠ VIGYÁZAT: Megvághatja magát! A kultivátor tisztítása vagy karbantartása esetén használjon védőkesztyűt, és legyen óvatos.

Mielőtt a kultivátoron bármiféle javítási vagy karbantartási munkába kezd, kapcsolja ki a készüléket, várja meg, míg a kések megállnak, és húzza ki a tápfeszültségből.

⚠ FIGYELMEZTETÉS: A kések nem állnak meg azonnal a kultivátor kikapcsolásakor.

⚠ FIGYELMEZTETÉS: Sérülés veszélye. Ne tegye túl közel a kezét, lábát, egyéb testrészét vagy ruháját a kultivátor forgó késeihez.

Csomagolás

A terméket a csomagolása védi a szállítás közbeni sérüléstől. Ez a csomagolás újrahasznosítható anyagból készült.

Használati útmutató

Mielőtt használni kezdi a gépet, olvassa el a következő biztonsági előírásokat és tanulmányozza át a géppel való biztonságos munkavégzés alapelveit. Ismerkedjen meg a kezelőelemekkel és a készülék helyes használatával. Az útmutatót gondosan őrizze meg későbbi szükség esetére. Javasoljuk, hogy legalább a jóállás idejére őrizze meg a termék eredeti dobozát, csomagolását, pénztárbizonylatát és jóállási jegyét. Szállítás esetén a készüléket csomagolja vissza az eredeti gyári dobozba, ezzel biztosítja a termék maximális védelmét szállítás közben (pl. költözés vagy szakszervizbe küldés).

📖 MEGJEGYZÉS: Ha a gépet újabb személynek adja el, az útmutatóval adja át. A használati útmutató utasításainak betartása a gép helyes használatának alapja. A használati útmutató a kezelésre, karbantartásra és javításra vonatkozó utasításokat is tartalmaz. A gyártó nem felel az útmutató utasításainak be nem tartásából adódó balesetekért vagy károkért.

2. A BIZTONSÁGOS MUNKAVÉGZÉS ALAPELVEI

- ✿ **A készüléket soha ne használja abban az esetben, ha a tápkábel sérült vagy szemmel láthatóan elhasználódott.**
- ✿ **Abban az esetben, ha a kultivátort sérült kábellel csatlakoztatja a feszültségforráshoz, majd olyan helyen ér hozzá, ahol a szigetelés sérült, áramütés kockázatának teszi ki magát.**
- ✿ **Soha ne nyúljon a késekhez, amíg a készülék nincs kihúzva a hálózathoz, és a kések nem hagyják abba a forgást.**
- ✿ **Gondoskodjon róla, hogy a hosszabbító kábelek soha ne érintkezzenek a késekkel. A kések ugyanígy megsérthetik a kábel szigetelését, és ezzel áramütés veszélyének teszik ki, ha valamelyik testrésze érintkezik a szabadon maradt vezetékkel, miközben az feszültség alatt van.**
- ✿ **A készüléket távolítsa el a feszültségforrástól (azaz húzza ki a tápkábel csatlakozóját a hálózati konnektorból):**
 - Ha felügyelet nélkül kell hagynia a készüléket.
 - Ha egy hibát próbál elhárítani.
 - Minden ellenőrzés, minden tisztítás és javítás előtt.
 - Ha munka közben idegen tárgynak ütközik.
 - Ha a készülék túlságosan rázkódik.
- ⚠ **JAVASLAT:** A készüléket csak olyan feszültségforráshoz kapcsolja, amely 30 mH maximális szivárgási értékű áramvédővel (RCD) van ellátva.
- ✿ Ha a tápkábel sérült, ki kell cseréltetni a gyártóval vagy a szakszervizzel.
- ✿ Ezt a készüléket nem kezelheti korlátozott fizikai vagy szellemi képességű személy (gyerekeket is beleértve). Továbbá nem használhatják gyakorlatlan személyek, valamint olyanok, akik nyilvánvalóan nem rendelkeznek a kezeléshez szükséges műszaki ismeretekkel. Ilyen személyek csak egy gyakorlott személy ellenőrzése mellett, illetve alapvető munkavédelmi oktatást követően kezelhetik a készüléket.
- ✿ Ha a készülék közelében gyerekek tartózkodnak, figyelni kell rá, hogy a készülékkel ne játszanak.
- ✿ A bizsergő érzés a kezekben vagy akár érzéketlenné válásuk a túlságosan nagy rázkódásra utal. Ilyen esetben rövidítse le a munkát, szakítsa meg elég hosszú szünetekkel, ossza el több ember között, vagy, ha hosszabb ideig használja a kultivátort, munka közben használjon speciális antivibrációs kesztyűt.
- ✿ A kultivátorral folytatott munka elválaszthatatlan kísérelése, hogy menet közben zajos. Zajos munkát ezért csak az erre fenntartott órákban végezzen, illetve akkor, amikor szokásos. Legyen tekintettel a nyugalmi időszakokra, és a munkát igyekezzen a feltétlenül szükséges időre korlátozni. Azt is javasoljuk, hogy Ön, és mindenki, aki a kultivátort közvetlen közelében tartózkodik, viseljen fülvédőt.
- ✿ Ne használja a kultivátort sérült, deformált vagy elhasznált biztonsági berendezésekkel (indításblokkoló, biztonsági fedél) és/vagy késekkel. A kiegyensúlyozatlanság elkerülése érdekében a hibás alkatrészek és csavarok cicserélése készletenként történjen.

- ✿ Munka előtt keresse meg és távolítsa el az idegen tárgyakat (pl. köveket, ágakat, stb.).
- ✿ Ha munka közben akadályba ütközik, vagy ha a kések megakadnak, kapcsolja ki az elektromos kultivátort, húzza ki a csatlakozót a konnektorból, és várjon, míg a kések megállnak. Ezután távolítsa el az akadályt. Ellenőrizze, nem sérült-e meg az elektromos kultivátor, és ha szükséges, kérjen segítséget a szakszerviztől.
- ✿ Az elektromos kultivátort csak az ebben a használati útmutatóban leírt célokra használja.
- ✿ A kultivátort ne húzza kemény felületen (beton, járda) vagy lépcsőn. Ne terhelje túl a motort. A kultivátorhoz ne csatlakoztasson egyéb terhelést. Használat után a kultivátort húzza ki a tápellátásból, és ellenőrizze, nem sérült-e meg a gép, és főképpen a kések, és szükség esetén keresse fel a szakszervizt.
- ✿ Hátrafelé menetben legyen maximálisan óvatos. Megbotolhat!
- ✿ Lejtőn mindig a lejtőre merőlegesen dolgozzon, és figyeljen a biztonságos és stabil állásra.
- ✿ Legyen különösen körültekintő, ha irányt változtat a lejtőn, és ne dolgozzon túl meredek lejtőn.
- ✿ Csak jó látási viszonyok között dolgozzon.

Munkaruha/munkaterület

- ✿ Felelős a munkaterület biztonságáért.
- ✿ Bizonyosodjon meg róla, hogy a munkaterület közelében nincsenek emberek (főleg gyerekek) és állatok.
- ✿ A lába védelmében vastag munkacipőt és hosszú nadrágot vegyen fel. A kultivátort soha ne használja szandálban vagy mezítláb.
- ✿ Tartsa távol a kezét és a lábát a késektől - különösen a gép beindításakor! A hosszabbító kábelt tartsa biztonságos távolságban a késektől.
- ✿ Ismerkedjen meg a környezettel, és figyeljen a lehetséges kockázatokra, amelyek elkerülhetik a figyelmét a gép zaja miatt.
- ✿ A készüléket soha ne használja esőben vagy párás, nedves környezetben. Soha ne dolgozzon közvetlenül medence vagy kerti tó mellett.










A munka megszakítása

- ✿ Az elektromos kultivátort soha ne hagyja a munkahelyen felügyelet nélkül.
- ✿ Ha megszakítja a munkát, mindig biztonságos helyre tegye az elektromos kultivátort, és húzza ki a konnektorból.
- ✿ Amikor az egyik munkaterületről a másik munkaterületre viszi át a kultivátort, kapcsolja ki, és várja meg, míg a kések megállnak. Húzza ki a tápkábelt.

Egyéb kockázatok

- ✿ Noha a termékeinket úgy gyártjuk, hogy megfeleljenek az érvényes műszaki normáknak és biztonsági előírásoknak, a kezelésével kapcsolatban bizonyos kockázatok továbbra is fenyegetik a felhasználót:
 - A késtérből kövek vagy törmelékek repülhetnek ki.
 - Ha a készülék kezelője nem használ munkában közben fülvédőt, süketülés veszélyének teszi ki magát.
 - Ujjsérülés a kések karbantartása közben.
 - A kultivátorral való munka közben felszálló porrészeszkék belélegzése.
 - Áramütés kockázata a szigeteletlen alkatrészek megérintése esetén.

3. JELEK

	<p>Figyelmeztetés: Olvassa el a használati útmutatót!</p>
	<p>Ne használja esőben és nedves időben!</p>
	<p>A többi ember biztonságos távolságban tartózkodjon!</p>
	<p>Forgó alkatrészek! A kultivátor kései csak a motor megállítása után néhány másodperccel állnak meg.</p>
	<p>A kultivátort mindig kapcsolja ki, és húzza ki a hálózathoz, mielőtt ellenőrzi a tápkábel sérülését, vagy a kések tisztítása előtt.</p>
	<p>Óvja a kábelt a késekkel való érintkezéstől!</p>
	<p>Az európai irányelvek alapvető érvényes biztonsági szabványával összhangban.</p>
	<p>Ezt a készüléket kettős szigetelés védi; ezért nem szükséges földelő vezetőket használni. Mindig ellenőrizze, hogy a hálózati feszültség megfelel-e a típuscímkén feltüntetett feszültségnek.</p>
	<p>Használjon fülvédőt! Védje a látását! Gondoskodjon a légutak védelméről!</p>

4. A HASZNÁLAT CÉLJA

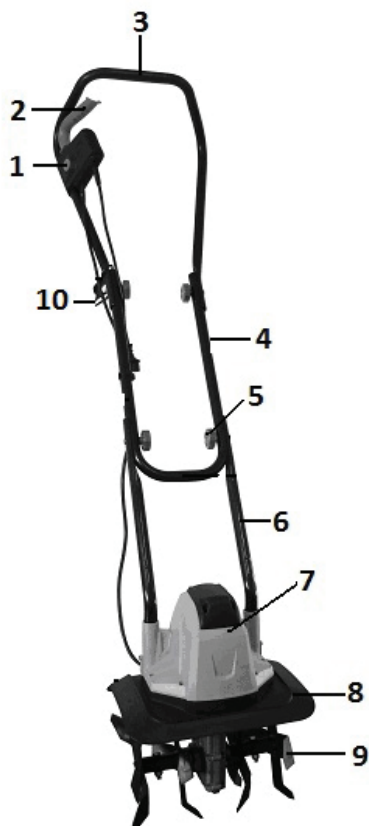
A FIELDMANN elektromos kultivátor nagy görröngyök és a kemény föld széttörésére készült kis, vagy közepes területen, kiskertekben vagy telkeken. Nem való nyilvános tereken, parkokban, sportközpontokban, autópályákon, a mezőgazdaságban vagy erdészetben történő munkavégzésre.

Az elektromos kultivátor nem használható kőtörésre vagy füves területek felszántására!

A fenti utasítások betartása az elektromos kultivátor helyes használatának előfeltétele.

5. A GÉP LEÍRÁSA

1. ábra

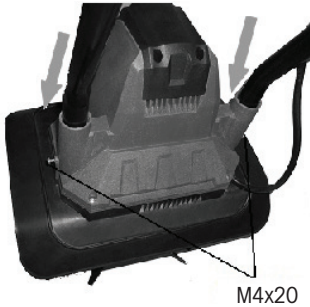


1. A kapcsoló biztosítóka
2. Kapcsolókar
3. Felső fogantyúrész
4. A fogantyú középső része
5. Csavar szárnyas anyával
6. Alsó fogantyúrész
7. Motor
8. A kés védőfedele
9. Acélkések
10. Biztonsági kábeltartó

6. ÖSSZESZERELÉS

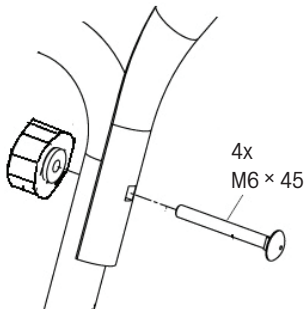
1. Dugja be a fogantyú alsó részét a kultivátor házán lévő nyílásba, és rögzítse a mellékelt M4 × 20 csavarokkal (2. ábra).

2. ábra



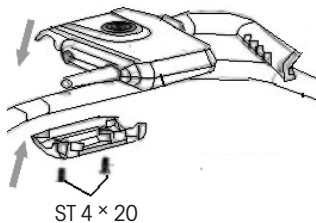
2. A fogantyú alsó részéhez illeszse hozzá a fogantyú középső részét, és rögzítse a szárnya anyával (3. ábra).

3. ábra

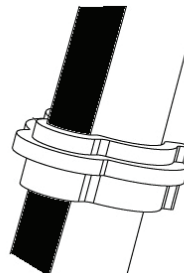


3. A fogantyú felső részének felszerelése:
 - mindenekelőtt a felső részre illeszse fel a biztonsági kábeltartót (a jobb oldalra) (1. ábra 10. pont)
 - Csatlakoztassa a fogantyú felső részét a középsőhöz, és rögzítse a szárnya anyás csavarokkal (3. ábra)
 - A mellékelt ST4 × 20 csavarok segítségével erősítse a fogantyúhoz a kapcsolószekrényt (4. ábra) A kapcsolószekrény egyes részeinek illeszkedniük kell a fogantyún lévő nyílásokba. Ezután a kábeleket a műanyag rögzítésekkel rögzítse a fogantyúhoz (5. ábra) .

4. ábra



5. ábra



- ⚠ **FIGYELEM:** Ha valamelyik alkatrész hiányzik vagy hibás, amíg nincsenek kicserélve, a géppel ne dolgozzon. Ennek a figyelmeztetésnek a figyelmen kívül hagyása súlyos sérülést okozhat.
- ⚠ **FIGYELEM:** Ne próbálja módosítani ezt a terméket vagy olyan tartozékot létrehozni, amelynek használata ezzel a termékkel nem ajánlott. Minden ilyen változtatás és módosítás helytelen használatnak minősül, és veszélyes helyzetet okozhat, melynek következménye súlyos sérülés lehet.
- ⚠ **FIGYELEM:** Ne csatlakoztassa a készüléket a feszültségforráshoz, amíg nem fejezte be az összeszerelést. Ennek az utasításnak a figyelmen kívül hagyása véletlen bekapcsolódáshoz és esetleges súlyos sérüléshez vezethet.

7. AZ ELEKTROMOS KULTIVÁTOR BEKAPCSOLÁSA ELŐTT

- ⚠ **FIGYELEM:** Soha ne szerelje le és ne hidalja át az elektromos kultivátorra szerelt biztonsági berendezéseket (például a benyomott gomb/kar rögzítése a fogantyúhoz).
- ⚠ **FIGYELEM:** A kultivátor kései a gép kikapcsolása után is még néhány másodpercig forognak! Soha ne emelje fel vagy hordozza a kultivátort járó motorral. Bekapcsoláskor győződjön meg róla, hogy a lába biztonságos távolságban van a kultivátor késeitől.
- ⚠ **FIGYELEM:** A kultivátort mindig a fogantyúknál fogja mindkét kezével. A kultivátort csak gyalogló sebességgel tolja.

A kultivátor bekapcsolása előtt győződjön meg róla, hogy a kések nem érnek hozzá semmihez, és hogy szabadon tudnak mozogni. A fogantyút mindig két kézzel tartsa. Soha ne használja a kultivátort egy kézzel

- ⚠ **VIGYÁZAT:** A kultivátor fel- és/vagy előreugorhat, ha a kések nagyon kemény vagy fagyott talajba ütköznek, vagy a talajban rejtett akadályok vannak, pl. nagy kövek, gyökerek, tuskók.

A készülék tápkábele

Csak sérülésmentes tápkábelt használjon.

A tápkábelek teljes hossza ne haladja meg a 40 métert, mert az ennél nagyobb távolság a villanymotor teljesítményének csökkenéséhez vezet. A tápkábel keresztmetszete $3 \times 1,5 \text{ mm}^2$ legyen.

A tápkábel csatlakozójának gumiból kell készülnie, és ellenállónak kell lennie a fröcskölő vízzel szemben. A hosszabb tápkábelek a vezetők nagyobb keresztmetszetét igénylik. A tápkábelek és az összekötő vezetékek sértetlenségét rendszeresen ellenőrizni kell. A vezetékek ellenőrzése előtt bizonyosodjon meg róla, hogy nincsenek feszültség alatt. A tápkábelt teljesen tekerje ki. Ellenőrizze a kábelek bemeneti pontjait, a csatlakozódugókat és az aljzatokat is.

8. ÜZEMELTETÉS

⚠ **FONTOS FIGYELMEZTETÉS:**

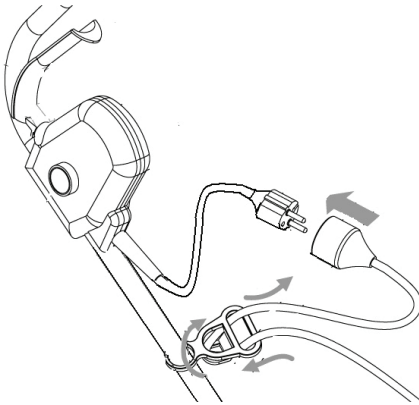
! A motor bekapcsolása előtt vigye oda a kultivátort, ahol dolgozni fog.

! Bekapcsoláskor fogja erősen a kultivátort.

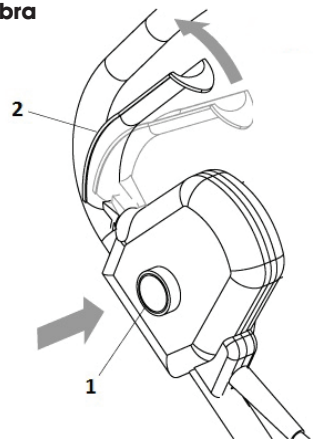
! A munka közben a kések előretolják a kultivátort. A fogantyúk segítségével lassan billentse le a késeket.

1. Bekapcsolás
 - Csatlakoztassa a tápkábelt, és rögzítse a biztonsági kábeltartóhoz (6. ábra)
2. Először nyomja meg a kapcsoló biztonsági reteszét (7. Ábra 1. Pont), és tartsa nyomva. Aztán húzza a kapcsolókart a fogantyúhoz (7. ábra 2. Pont), és engedje fel a biztonsági reteszt.

6. ábra



7. ábra



⚠ **FIGYELMEZTETÉS:**

A kultivátort rögök széttöréséhez, veteményes ágyások készítéséhez használja.

Rögök széttöréséhez vagy mélylazításhoz hagyja, hogy a kések elhúzzák a kultivátort addig, ameddig a karja engedi, majd erősen húzza maga felé a kultivátort. A legjobb eredményt úgy érheti el, ha a kultivátort ismételtelen előreengedi és visszahúzza. A kultivátort maga felé húzva a kések agresszívebben és mélyebben vágódnak a földre.

Ha a kultivátor mélyen beássa magát és egy helyben marad, finoman hintáztassa egyik oldalról a másikra, amíg újra el nem indul előre.

⚠ **FIGYELEM:**

! A hátrafelé mozgáskor és a kultivátor maga felé húzásakor legyen különösen óvatos, nehogy megbotoljon.

! A kultivátort soha ne vezesse át a hosszabbító kábelen. Ügyeljen rá, hogy a kábel mindig biztonságos helyzetben van a háta mögött.

! Ha lejtőn dolgozik, mindig a lejtőre ferdén álljon, hogy megőrizze a biztonságos és stabil helyzetét. Ne dolgozzon túl meredek lejtőn.

9. HASZNÁLAT

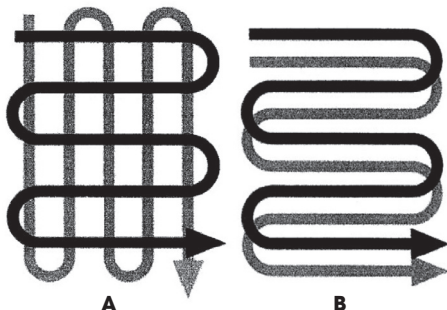
Veteményes ágyások készítéséhez az alábbi minták valamelyikét ajánljuk:

A lazítási minta – Kétszer menjen át a lazítandó területen, másodsorra az első lazításra merőlegesen, ld. 8. ábra.

B lazítási minta – Kétszer menjen át a lazítandó területen, másodsorra az első lazításhoz képest átfedéssel haladjon, ld. 8. ábra.

A munka megkezdése előtt a munkaterületről távolítson el minden látható követ vagy egyéb idegen tárgyat.

8. ábra



⚠ FIGYELMEZTETÉS: A kultivátor egyik munkaterületről a másikra történő áthelyezése előtt kapcsolja ki a motort és várja meg, amíg a kések teljesen megállnak. Legyen óvatos, hogy a kések ne érjenek a földhöz, amikor a kultivátort áthelyezi. A kések és maga a berendezés is megsérülhet, még akkor is, ha a motor ki van kapcsolva.

Idegen tárgyak eltávolítása

Működés közben a kövek vagy gyökerek beakadhatnak a késekbe, vagy a magas fű vagy gyom rátekeredhet a tengelyre. A kések vagy a tengely megtisztításához engedje el az indítókart, várja meg, amíg a kések teljesen megállnak, és húzza ki a tápkábelt. Távolítsa el az idegen tárgyakat a késekről vagy a tengelyről. A magas fűvet vagy gyomot könnyebben eltávolíthatja, ha egy vagy több kést leszerel.

10. KARBANTARTÁS

Karbantartás előtt húzza ki a tápkábelt.

Karbantartáskor használjon védőkesztyűt.

Minden használat előtt ellenőrizze, hogy a hosszabbító kábelen nem láthatók-e sérülés vagy elöregedés jelei. Cserélje ki a kábelt, ha repedt, töredezett vagy más módon sérült. Ellenőrizze a kések állapotát és ügyeljen rá, hogy minden menetes csatlakozás megfelelően meg legyen húzva. Ha a kések tompák, élezze őket újra vagy cserélje ki. Segítségért forduljon szakszervizhez.

Az elhasználadott vagy sérült alkatrészeket kizárólag eredeti pótalkatrészekre cserélje ki. Más talajlazítóból/kultivátorból származó alkatrészek nem biztos, hogy kompatibilisek, ami veszélyes helyzetet eredményezhet.

Ellenőrizze, hogy minden biztonsági berendezés biztonságos és jó állapotban van-e. Szükség esetén javítsa meg vagy cserélje ki őket. Szezononként egyszer kenje meg a késeket és a tengelyt. A szezon végén, mielőtt a kultivatort elrakja, ellenőrizze, nincs-e megsérülve. Javítsa meg vagy cserélje ki a sérült alkatrészeket.

⚠ FIGYELMEZTETÉS: A kultivatort tisztítsa meg minden használat után. A tisztítás nem megfelelő elvégzése a kultivátor károsodását vagy teljesítményének csökkenését okozhatja. Az alsó motortartó lemezt és a kések körüli burkolatot tisztítsa meg kefével és szappanos vízzel megnedvesített puha ronggyal.

A kultivátor tisztításához soha ne használjon vizes tömlőt! A kultivatort soha ne mossa folyó vízzel, különösen nagynyomású vízzel.

A föld és a szennyeződések váltóról vagy a késekről való eltávolításához használjon erős kefével vagy nedves rongyot. Tisztítsa meg a motor burkolatát és távolítsa el minden fű- vagy szennyeződésmaradványt. A késeket és a tengelyt tisztítás után azonnal törölje szárazra és vigyen fel rá egy vékony réteg olajat, hogy megakadályozza a rozsdásodást.

A kések fel- és leszerelése

Javasoljuk, hogy ehhez lépjen kapcsolatba a szakszervizzel.

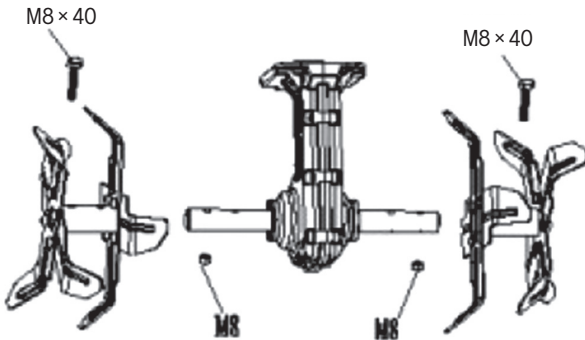
Az elhasznált kések csak alacsony teljesítményre képesek, és túlterhelik a motort.

Minden használat előtt ellenőrizze a késeket. Szükség esetén élezze őket újra, vagy cserélje ki őket. Segítségért forduljon szakszervizhez.

⚠ FIGYELEM: Ha a késekkel dolgozik, sérülést szenvedhet. Használjon védőkesztyűt.

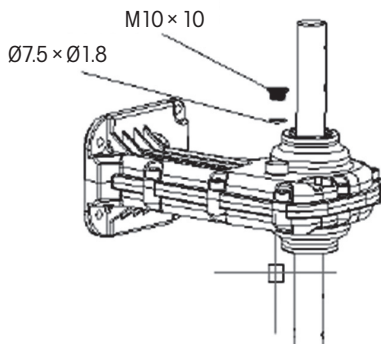
A kések tengelyről történő levételéhez (9. ábra) csavarja le az M8 × 40 hatlapfejű csavart a tengelyről. Vegye le a késeket a tengelyről. A kések felszerelésekor ugyan ellenkező sorrendben végezze ugyanezt.

9. ábra



Olaj töltése a váltóba (10. ábra):

A kiengedő csavar a váltószelekrény jobboldalán található. A kiengedő csavar kicsavarozása előtt fektesse a kultivátort a bal oldalára, és tisztítsa meg a váltószelekrényt a szennyeződésektől. Ha szükséges, a kiengedő csavarhoz való jobb hozzáférés érdekében szerelje le a késeket. A csavar kicsavarozásához 5 mm-es imbuszkulcsot használjon. Engedje ki az olajat a váltóból. Töltse fel kiváló minőségű SAE 30 olajjal, amíg a nyíláson nem csorog kifelé. Csavarja vissza a kiengedő csavart.

10. ábra

11. TÁROLÁS

⚠ FIGYELEM: Tűzveszély! A váltószelekrény a használat során vagy utána nagyon forró lehet. A kultivátort biztonságos távolságban tárolja az üzemanyagtól, olajtól, vazelinoktól és gázoktól.

Alaposan tisztítsa meg az egész gépet és a tartozékait.

Gyerekektől távol, stabil és biztonságos felületre helyezze egy hűvös és száraz helyen, kerülje a túl magas és túl alacsony hőmérsékletet. Óvja a közvetlen napsugárzás hatásától. Ha lehetséges, sötét helyen tárolja. Ne tegye műanyag zacskóba, hogy megakadályozza, hogy a nedvesség összegyűljön.

Minden szezon végén végezzen általános ellenőrzést a gépen, és távolítsa el az összegyűlt üledéket. Minden szezon elején bizonyosodjon meg róla, hogy ellenőrizte a gép állapotát. Ha javításra van szükség, vegye fel a kapcsolatot valamelyik szervizközpontunkkal (a címet ld a garancialevélen).

A kultivátort száraz és tiszta helyen tárolja, ahol gyerekek nem férnek hozzá.

Hosszabb tárolás esetén bizonyosodjon meg róla, hogy a kultivátor rozsdától és fagytól védett.

A szezon végé, vagy ha a kultivátort több, mint egy hónapig nem használja, törölje át minden fémrészét oljos ronggyal, vagy egy spray-ből spriccelje le egy vékony réteg olajjal, hogy védje a rozsdától. A fogantyút hajtsa le, és a kultivátort tegye megfelelő helyre.

12. HIBAEELHÁRÍTÁS

Hiba	Lehetséges ok	Megoldás
A motor nem kapcsol be	A készülék nincs a tápellátáshoz csatlakoztatva	Csatlakoztassa a készüléket a tápellátáshoz
	A hálózatban nincs feszültség	Ellenőrizze a tápellátást
	Hibás kábel	Ellenőrizze a kábelt. Szükség esetén javítsa meg vagy cserélje ki.
	Hibás biztonsági kapcsoló/ csatlakozó	Látogasson el a szakszervizbe
	A túlmelegedés elleni biztosíték aktiválódott	<ol style="list-style-type: none"> 1. Túl nagy a munkamélység, állítsa kisebbre. 2. A kések megakadtak, távolítsa el az akadályt. 3. A talaj túl kemény, válasszon megfelelő munkamélységet, mozogjon a géppel előre és hátra, és közben csökkentse a sebességet. Mielőtt tovább használja, várjon mintegy 15 percet, míg a motor kihűl.
Túl nagy zaj	A kések megakadtak	Kapcsolja ki a készüléket. Várja meg, amíg a kések teljesen leállnak. Az útban lévő tárgyakat távolítsa el.
	Folyik az olaj	A kultivátort meg kell javítani. Segítségért hívja ügyfélszolgálati telefonszámunkat.
	Hiányzó csavarok, anyák vagy egyéb alkatrészek.	Minden alkatrészt húzzon meg. Ha a zaj folytatódik, gondoskodjon a javításról.
Túlzott vibráció	A kések megsérültek vagy elhasználódtak	Cserélje ki a sérült vagy elhasználódott késeket.
	Túl nagy munkamélység	Állítson be megfelelő munkamélységet.
Rossz a munka eredménye	Túl kicsi a munkamélység	Állítson be megfelelő munkamélységet.
	Elhasználódott kések	Cserélje ki a sérült vagy elhasználódott késeket.

13. MŰSZAKI ADATOK

Modell	FZK 2002 E
Tápellátás	230–240 V, 50 Hz
Fogyasztás	750 W
Üresjárat fordulatszám	380/perc
Fogásszélesség.....	320 mm
Munkamélység	20 cm
Kécek száma.....	4 db
Tömeg.....	8 kg

Zaj emissziós értékek szabvány szerint

LpA (akusztikus nyomás)	79,0 dB(A)
LwA (akusztikai teljesítményszint).....	93 dB(A)
Garantált akusztikai teljesítményszint LwA.....	MAX 96 dB(A)

Vibrációs szint..... 1,158 m/s²K = 1,5 m/s²

14. MEGFELELŐSÉGI NYILATKOZAT



FAST ČR, a. s.
 Černokostelecká 1621, 251 01 Říčany u Prahy, tel.: 323 204 111, fax: 323 204 110
 E-mail: info@fastcr.cz
 Cejl 31, 602 00 Brno, tel.: 531 010 292-3, fax: 531 010 294
 E-mail: brno@fastcr.cz

CE MEGFELELŐSÉGI NYILATKOZAT

Gyártó:

FAST ČR, a. s.
 Černokostelecká 2111, 100 00 Praha 10, Cseh Köztársaság
 Adószám: CZ26726548

Termék/márka: Elektromos kultivátor/FIELDMANN

Típus/modell: FZK 2002 E

230 V, 750 W, 50 Hz

Ez a termék megfelel az alábbi előírásoknak:

Az alacsony feszültségű elektromos berendezésekre vonatkozó, 2006/95/EK sz. irányelv
 A Tanács gépi berendezésekre vonatkozó 2006/42/EK sz. irányelve
 Az elektromágneses kompatibilitásra (EMC) vonatkozó 2004/108/EK sz. irányelv
 A 2002/95/EK sz. RoHS irányelv

és szabványoknak:

EN 60335-1:2002+A1+A11+A12+A13+A14+A15
 EN 709:1997+A4
 EN 62233:2008
 ZEK 01.4-08/11.11
 EN 55014-1:2006+A1+A2
 EN 55014-2:1997+A1:2002
 EN 61000-3-2:2006+A1+A2
 EN 61000-3-3:2008

CE jelölés: 15

A FAST ČR Rt. jogosult a gyártó nevében eljárni.

A kiadás helye: Praha

Név: Ing. Zdeněk Pech
 Az igazgatótanács elnöke

A kiadás dátuma: 22.9.2015

Aláírás:

FAST FAST ČR, a. s.
 Černokostelecká 1621, 251 01 Říčany
 IČO: 26726548 tel.: +420/ 323 204 111
 DIČ: CZ26726548 fax: +420/ 323 204 110

A társaság székhelye: Černokostelecká 2111, 100 00, Praha 10
 Azonosító szám: 26726548, Adószám: CZ26726548
 Bank: Komerční banka Praha 1, számlaszám: 89309-011/0100

15. MEGSEMMISÍTÉS

A használt csomagolóanyagokra vonatkozó utasítások és tájékoztató

A használt csomagolóanyagokat az önkormányzat által kijelölt hulladékgyűjtő helyre helyezze el.



A gép és tartozékai különböző anyagokból, pl. fémből és műanyagból készültek.
A sérült alkatrészeket adja le szelektív gyűjtőhelyen. Tájékoztadjon az illetékes hivatalnál.



Ez a termék teljesíti az összes rá vonatkozó EU irányelv követelményeit.

Változtatások a szövegben, a kivitelen és a műszaki jellemzőkben előzetes figyelmeztetés nélkül történhetnek, a módosításra vonatkozó jog fenntartva.

Használati útmutató az eredeti nyelven.

KULTYWATOR ELEKTRYCZNY

INSTRUKCJA OBSŁUGI

Dziękujemy Państwu za dokonanie zakupu tego kultywatora elektrycznego.

Zanim zaczniesz z niego korzystać, przeczytaj uważnie niniejszą instrukcję obsługi i zachowaj ją do wglądu. Wyrób ten został zaprojektowany i wyprodukowany zgodnie z naszymi wysokimi standardami dotyczącymi niezawodności oraz łatwej i bezpiecznej obsługi. Przy prawidłowej konserwacji będzie Ci niezawodnie i bezproblemowo służyć przez wiele lat.

SPIS TREŚCI

1. Ogólne wskazówki bezpieczeństwa	76
Ważne instrukcje dotyczące bezpieczeństwa	76
Opakowanie.....	78
Instrukcja obsługi.....	78
2. Zasady bezpiecznej pracy	79
Odzież robocza/miejsce pracy.....	80
Przerwa w pracy.....	80
Pozostałe ryzyka.....	80
3. Symbole	81
4. Przeznaczenie.....	82
5. Opis urządzenia	82
6. Montaż.....	83
7. Przed włączeniem kultywatora elektrycznego.....	84
Kabel zasilający urządzenia	84
8. Obsługa	85
9. Sposób użycia.....	86
Usuwanie przedmiotów obcych.....	86
10. Konserwacja.....	86
11. Przechowywanie	88
12. Rozwiązywanie problemów	89
13. Dane techniczne	90
14. Deklaracja zgodności.....	91
15. LIKWIDACJA.....	92

1. OGÓLNE WSKAZÓWKI BEZPIECZEŃSTWA

Ważne instrukcje dotyczące bezpieczeństwa

- ✿ Rozpakuj uważnie wyrób, zwracając przy tym uwagę, abyś nie wyrzucił żadnej części materiału opakowaniowego, zanim nie znajdziesz wszystkich części wyrobu.
- ✿ Przechowuj wyrób w suchym miejscu z dala od dzieci.
- ✿ Przeczytaj wszystkie uwagi i zalecenia. Zaniedbania w przestrzeganiu ostrzeżeń i zaleceń mogą spowodować porażenie prądem elektrycznym, pożar lub poważne obrażenia.
- ✿ Przed użyciem upewnij się, że każda osoba, która będzie korzystać z urządzenia, przeczytała i zrozumiała niniejsze wskazówki bezpieczeństwa oraz pozostałe informacje zawarte w niniejszej instrukcji.

⚠ UWAGA: Podczas używania wyrobu korzystaj z odpowiednich ochronników słuchu. W pewnych okolicznościach po dłuższym czasie używania hałas wydobywający się z urządzenia może spowodować utratę słuchu.

Kontrola uszkodzonych części

Przed każdym użyciem należy dokładnie sprawdzić wszystkie uszkodzone części i stwierdzić, czy będą one prawidłowo działać i pełnić swoją funkcję. Sprawdź, czy urządzenie jest wyregulowane, czy poruszające się części są przymocowane, skontroluj uszkodzone części, ich przymocowanie i inne warunki, które mogą mieć wpływ na eksploatację urządzenia. Każdą uszkodzoną część należy naprawić lub wymienić.

Nie używaj w niebezpiecznych warunkach.

Nie używaj urządzenia podczas deszczu, burzy, w środowisku wilgotnym lub mokrym. Nie używaj urządzenia w otoczeniu, w którym występują gazy lub w środowisku wybuchowym. Silniki tych urządzeń podczas wytwarzania pracy iskry, które mogą doprowadzić do zapalenia oparów.

Przechowuj poza zasięgiem dzieci.

Osoby, dzieci i zwierzęta powinny się znajdować w bezpiecznej odległości od urządzenia.

Ubierz się stosownie.

Nie noś wolnego ubrania i biżuterii, a w przypadku długich włosów używaj siatki ochronnej. W przeciwnym wypadku mogłoby dojść do ich wciągnięcia przez poruszające się części. Podczas pracy na zewnątrz należy korzystać z rękawic i mocnych butów.

Korzystaj z okularów ochronnych.

Podczas korzystania z tego produktu należy używać okularów ochronnych z bocznymi osłonkami. Przy użyciu w środowisku zapyłonym należy korzystać z maski na twarz lub respiratora.

Podwójna izolacja

Kultywator jest wyposażony w podwójną izolację. Oznacza to, że wszystkie metalowe części są izolowane od zasilania elektrycznego. Zostało to osiągnięte dzięki warstwie izolacyjnej znajdującej się pomiędzy częściami elektrycznymi i mechanicznymi. Podwójna izolacja zapewnia najwyższy poziom bezpieczeństwa.

Przedłużacz

Upewnij się, czy przedłużacz jest w dobrym stanie. W przypadku użycia przedłużacza upewnij się, że posiada on dostateczną moc do przeniesienia prądu potrzebnego do zasilania urządzenia. Przedłużacz o niższej mocy powoduje ubytek napięcia zasilającego, co pociąga za sobą spadek mocy i przegrzanie.

Przedłużacz i kabel zasilający można związać węzłem, aby uniknąć ich rozłączenia podczas korzystania z urządzenia. Węzeł należy zawiązać w poniższy sposób, a następnie włączyć wtyczkę kabla zasilającego do gniazdka na końcu przedłużacza. W ten sam sposób można połączyć również dwa przedłużacze.

Podczas pracy z kultywátorem obserwuj przedłużacz. Uważaj, żeby nie potknąć się o kabel. Prowadź kabel zawsze z dala od noży kultywátora.



Ochrona przed przegrzaniem

Jeśli kultywátor jest zablokowany przez przedmiot obcy lub jeśli jego silnik jest nadmiernie obciążony, bezpiecznik automatycznie wyłączy silnik. Zwolnij dźwignię rozrusznika i poczekaj, aż silnik się ostudzi (ok. 15 minut), zanim ponownie włączysz kultywátor.

Odłącz urządzenie od zasilania, jeśli nie będziesz go używać lub jeśli zamierzasz je myć lub naprawiać. Nie pozostawiaj urządzenia bez nadzoru.

Nie uszkadzaj kabla

Nigdy nie przenoś urządzenia za kabel ani nie ciągnij kabla w celu wyciągnięcia go z gniazdka. Chroń kabel przed wysoką temperaturą, olejami i ostrymi krawędziami.

Używaj urządzenia prawidłowo

Nie używaj tego produktu do innych celów niż te, do których jest przeznaczony (por. rozdział Przeznaczenie).

Nie przeceniaj swoich sił

Prowadź kultywátor wyłącznie z prędkością pieszego spaceru. Podczas pracy zachowaj stabilną pozycję i równowagę.

Oświetlenie

Używaj kultywátora wyłącznie przy świetle dziennym lub przy mocnym sztucznym oświetleniu.

Jeśli nie używasz urządzenia, przechowuj się pod zadaszeniem

Jeśli nie używasz urządzenia, przechowuj je pod zadaszeniem w suchym pomieszczeniu, do którego nie mają dostępu dzieci.

Dokonuj starannej konserwacji maszyny

Aby uzyskać najlepsze efekty pracy i zminimalizować ryzyko obrażeń, utrzymuj maszynę w czystości i regularnie sprawdzaj przedłużacz, a w razie jego uszkodzenia, wymień go. Utrzymuj uchwyty w suche, czyste i nie splamione olejem.

Zachowaj ostrożność

Zwróć uwagę na to, co robisz. Używaj zdrowego rozsądku. Nie używaj kultywatora, jeśli jesteś zmęczony, pod wpływem narkotyków, alkoholu lub leków.

⚠ OSTRZEŻENIE: Nie używaj kultywatora w pobliżu podziemnych kabli elektrycznych czy telefonicznych, rurociągów i węży. Jeśli kultywator natrafi na przedmiot obcy, natychmiast go wyłącz, poczekaj, aż noże się zatrzymają i sprawdź, czy nie są uszkodzone. Jeśli jest to konieczne, przed ponownym rozpoczęciem pracy skorzystaj z usług autoryzowanego serwisu. Jeśli kultywator zacznie nadmiernie wibrować, natychmiast go wyłącz i sprawdź, jaka jest przyczyna tego zjawiska. Wibracje są zazwyczaj oznaką problemu.

⚠ UWAGA: Niebezpieczeństwo przecięcia skóry! Podczas czyszczenia lub dokonywania konserwacji kultywatora używaj rękawic ochronnych i zachowaj ostrożność.

Przed rozpoczęciem jakichkolwiek prac konserwacyjnych czy naprawczych na kultywatorze wyłącz urządzenie, poczekaj, aż noże się zatrzymają i odłącz urządzenie od zasilania.

⚠ UWAGA: Noże nie zatrzymują się natychmiast po wyłączeniu kultywatora.

⚠ UWAGA: Ryzyko obrażeń. Nie zbliżaj rąk, nóg ani żadnej innej części ciała czy ubrania k kierunku obracających się noży kultywatora.

Opakowanie

Wyrób został umieszczony w opakowaniu chroniącym je przed uszkodzeniem podczas transportu. Opakowanie to jest surowcem i dlatego podlega recyklingowi.

Instrukcja obsługi

Zanim rozpoczniesz pracę z maszyną, przeczytaj następujące zasady bezpieczeństwa i wskazówki dotyczące pracy z urządzeniem. Zapoznaj się z elementami sterowania i prawidłowym użyciem urządzenia. Instrukcję należy starannie zachować do wglądu. Co najmniej w okresie gwarancyjnym zalecamy zachowanie oryginalnego opakowania łącznie z wewnętrznym materiałem opakowaniowym, dokument kasowy i kartę gwarancyjną. W razie transportu zapakuj maszynę z powrotem do oryginalnego pudełka dostarczonego przez producenta, zapewniając w ten sposób maksymalną ochronę produktu podczas ewentualnego transportu (np. przeprowadzki lub wysyłki do serwisu).

📖 UWAGA: Jeśli przekazujesz maszynę innym osobom, przekaz ją razem z instrukcją. Przestrzeganie załączonej instrukcji obsługi stanowi założenie prawidłowego użytkowania urządzenia. Instrukcja obsługi zawiera również wskazówki dotyczące obsługi, konserwacji i naprawy. Producent nie ponosi odpowiedzialności za wypadki lub szkody powstałe na skutek nieprzestrzegania niniejszej instrukcji.

2. ZASADY BEZPIECZNEJ PRACY

- ✿ **Nigdy nie używaj urządzenia, jeśli kabel zasilający jest uszkodzony lub w sposób widoczny zużyty.**
- ✿ **Jeśli podłączysz kultywator z uszkodzonym kablem do źródła napięcia, a następnie dotkniesz miejsca, na którym izolacja jest uszkodzona, przed odłączeniem kultywatora od źródła napięcia, narażasz się na ryzyko porażenia prądem elektrycznym.**
- ✿ **Nigdy nie dotykaj również nożów, dopóki urządzenie nie zostanie odłączone od źródła zasilania i dopóki noże nie przestaną się obracać.**
- ✿ **Zadbaj o to, aby przedłużacze nigdy nie były w kontakcie z nożami. Noże mogą uszkodzić izolację kabli, przez co może dojść do powstania ryzyka porażenia prądem elektrycznym w razie dotknięcia częścią ciała odizolowanego przewodu znajdującego się pod napięciem.**
- ✿ **Odłącz urządzenie od źródła napięcia (tj. wyciągnij wtyczkę kabla zasilającego z gniazda sieciowego):**
 - Jeśli musisz pozostawić urządzenie bez nadzoru.
 - Jeśli zamierzasz usunąć usterkę.
 - Przed każdą kontrolą, każdym czyszczeniem czy naprawą.
 - Jeśli natrafisz na przedmiot obcy.
 - Jeśli urządzenie nadmiernie wibruje.
- ⚠ **ZALECENIE:** Podłączaj urządzenie tylko do takiego źródła napięcia, które jest wyposażone w wyłącznik różnicowoprądowy (RCD) o maksymalnej wartości znamionowego prądu różnicowego 30 mA.
- ✿ Jeśli kabel zasilający jest uszkodzony, należy go oddać do wymiany przez producenta lub autoryzowany serwis.
- ✿ Urządzenia nie powinny obsługiwać osoby o ograniczonych zdolnościach fizycznych, sensorycznych lub mentalnych (łącznie z dziećmi). Ponadto z urządzenia nie powinny korzystać osoby o niewielkim doświadczeniu oraz osoby, których wiedza techniczna jest niedostateczna do obsługi tego urządzenia. Osoby te mogą obsługiwać urządzenie wyłącznie pod nadzorem osoby odpowiedzialnej lub po ich należytych pouczeniu w kwestii zasad bezpieczeństwa pracy.
- ✿ Jeśli w pobliżu urządzenia poruszają się dzieci, należy koniecznie zadbać o to, aby się nim nie bawiły.
- ✿ Uczucie mrowienia w rękach czy brak czucia w rękach świadczy o nadmiernych wibracjach urządzenia. W takim wypadku należy skrócić pracę, dokonywać wystarczająco długich przerw, rozdzielić ją na kilka osób lub w przypadku długiego używania kultywatora używać specjalnych rękawic przeciwwibracyjnych.
- ✿ Nieuniknionym zjawiskiem towarzyszącym użytkowaniu kultywatora jest hałas podczas pracy. Prace, którym towarzyszy hałas, należy wykonywać wyłącznie w wyznaczonych godzinach, tzn. w godzinach, w których wykonywanie takich czynności jest zwyczajowo przyjęte. Respektuj porę ciszy i spróbuj ograniczyć pracę na czas niezbędny. Zalecamy również, aby obsługa urządzenia i osoby znajdujące się bezpośrednio w pobliżu kultywatora były wyposażone w ochronniki słuchu.
- ✿ Nie używaj kultywatora elektrycznego z uszkodzonymi, zdeformowanymi lub zużytymi częściami (blokadą włączania, pokrywą bezpieczeństwa) lub nożami. Aby nie doszło do braku stabilności, należy zawsze wymieniać całe komplety wadliwych części i śrub.

- ✿ Przed rozpoczęciem pracy należy znaleźć i usunąć przedmioty obce (np. kamienie, gałęzie itp.).
- ✿ Jeśli podczas pracy natrafisz na przeszkodę lub jeśli dojdzie do zablokowania noży, wyłącz kultywator elektryczny, wyciągnij wtyczkę z gniazda i poczekaj, aż noże się zatrzymają. Następnie usuń przeszkodę. Sprawdź, czy kultywator nie został uszkodzony i jeśli to konieczne, zwróć się o pomoc do autoryzowanego serwisu.
- ✿ Używaj kultywatora elektrycznego wyłącznie do celów podanych w niniejszej instrukcji obsługi.
- ✿ Nie ciągnij kultywatora po twardych powierzchniach (beton, chodniki) lub ze schodów. Nie przeciążaj silnika. Nie dołączaj do kultywatora żadnego dodatkowego obciążenia. Po użyciu odłącz kultywator od zasilania i sprawdź, czy urządzenie, w szczególności noże, nie jest uszkodzone i w razie potrzeby skontaktuj się z autoryzowanym serwisem.
- ✿ Podczas chodzenia do tyłu zachowaj maksymalną ostrożność. Możesz się potknąć!
- ✿ Podczas pracy na zboczach, pracuj zawsze prostopadle do zbocza i zachowuj bezpieczną i stabilną postawę.
- ✿ Zachowaj szczególną ostrożność podczas zmiany kierunku na zboczu i nie pracuj na wyjątkowo stromych zboczach.
- ✿ Pracuj wyłącznie przy dobrej widoczności.

Odzież robocza/miejsce pracy

- ✿ Odpowiadasz za bezpieczeństwo w miejscu pracy.
- ✿ Upewnij się, że w pobliżu miejsca pracy nie znajdują się żadne osoby (w szczególności dzieci) lub zwierzęta.
- ✿ W celu ochrony nóg używaj mocnego obuwia roboczego i spodni z długimi nogawkami. Nie używaj kultywatora mając na nogach sandały lub chodząc boso.
- ✿ Utrzymuj ręce i nogi poza zasięgiem noży, w szczególności przy uruchamianiu maszyny! Utrzymuj przedłużacz poza zasięgiem noży.
- ✿ Zapoznaj się z otoczeniem i uważaj na ewentualne ryzyka, których mógłbyś nie usłyszeć ze względu na hałas wydawany przez maszynę.
- ✿ Nigdy nie używaj urządzenia podczas deszczu lub w środowisku wilgotnym czy mokrym. Nigdy nie pracuj w pobliżu basenów i oczek wodnych.

Przerwa w pracy

- ✿ Nigdy nie pozostawiaj kultywatora elektrycznego w miejscu pracy bez nadzoru.
- ✿ Podczas przerwy w pracy umieść kultywator w bezpiecznym miejscu i odłącz go od zasilania.
- ✿ Podczas przemieszczania z jednego miejsca na drugie wyłącz kultywator i poczekaj, aż noże się zatrzymają. Odłącz kabel zasilający.

Pozostałe ryzyka

- ✿ Pomimo tego, że nasze produkty są skonstruowane tak, aby odpowiadały obowiązującym normom technicznym i przepisom bezpieczeństwa, obsługa urządzenia może ze sobą nieść dla jego użytkowników niektóre ryzyka:
 - Z przestrzeni wokół noży mogą odlatywać kamienie lub ich ułamki.
 - Jeśli obsługa urządzenia nie będzie używać podczas pracy ochronników słuchu, naraża się na ryzyko ogłuchnięcia.
 - Obrażenia palców podczas konserwacji noży.
 - Wdychanie cząsteczek pyłu powstałych podczas pracy z kultywatorem.
 - Porażenie prądem elektrycznym przy dotknięciu niez izolowanych części.

3. SYMBOLE

	<p>Ostrzeżenie: Zapoznaj się z instrukcją obsługi!</p>
	<p>Nie używaj urządzenia podczas deszczu lub kiedy jest mokro!</p>
	<p>Pozostałe osoby muszą przebywać w bezpiecznej odległości!</p>
	<p>Obracające się części! Noże kultywatora zatrzymają się po pewnym czasie od wyłączenia silnika.</p>
	<p>Przed kontrolą uszkodzenia kabla zasilającego lub przed czyszczeniem noży należy zawsze wyłączyć kultywator i odłączyć go od zasilania.</p>
	<p>Chroń kabel przed kontaktem z nożami!</p>
	<p>Zgodność z podstawowymi obowiązującymi standardami bezpieczeństwa zawartymi w dyrektywach europejskich.</p>
	<p>To urządzenie jest chronione podwójną izolacją, dlatego nie trzeba korzystać z uziemienia. Należy zawsze sprawdzić, czy napięcie sieciowe odpowiada napięciu na tabliczce znamionowej.</p>
	<p>Używaj ochronników słuchu! Używaj środków ochrony wzroku! Używaj środków ochrony dróg oddechowych!</p>

4. PRZEZNACZENIE

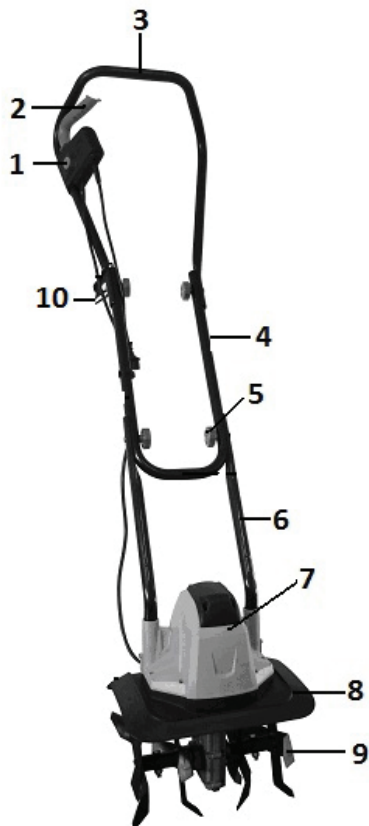
Kultywator elektryczny FIELDMANN jest przeznaczony do rozdrabniania dużych brył i stwardniałej gleby na małych i średnich obszarach upraw, w ogródkach domowych i koloniach działkowych. Nie jest on przeznaczony do użytku na publicznych boiskach, w parkach, ośrodkach sportowych, na drogach, w gospodarstwach rolnych lub leśnych.

Kultywatora elektrycznego nie wolno używać do rozbijania kamieni lub orania trawników!

Przestrzeganie tych zaleceń jest podstawą prawidłowego użytkowania kultywatora elektrycznego.

5. OPIS URZĄDZENIA

Rys. 1



1. Bezpiecznik wyłącznika
2. Dźwignia zapłonu
3. Górna część uchwyty
4. Środkowa część uchwyty
5. Śruba uchwyty z nakrętką motylkową
6. Dolna część uchwyty
7. Silnik
8. Osłona noży
9. Stalowe noże
10. Uchwyt zabezpieczający kabel

6. MONTAŻ

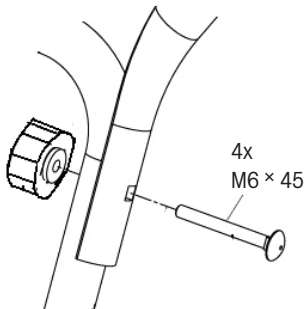
1. Wsuń spodnie części uchwyty do otworów w korpusie kultywatora i zabezpiecz je za pomocą dołączonych śrub M4 × 20 (rys. 2).

Rys. 2



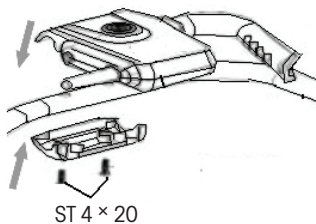
2. Podłącz do spodniej części uchwyty jego środkowe części i zabezpiecz je za pomocą nakrętki motylkowej (rys. 3).

Rys. 3

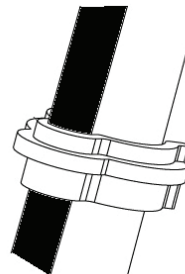


3. Instalacja górnej części uchwyty:
 - Najpierw załóż na górną część uchwyty zabezpieczający kabel (po prawej stronie) (rys. 1 punkt 10)
 - Połącz górną część uchwyty ze środkową częścią i zabezpiecz połączenie za pomocą śrub z nakrętką motylkową (rys. 3)
 - Za pomocą dołączonych śrub ST4 × 20 przymocuj do uchwyty stacyjkę (rys. 4). Poszczególne części stacyjki muszą zostać dopasowane do otworów w uchwycie. Następnie przymocuj kable do uchwyty za pomocą plastikowych zatrzasków (rys. 5).

Rys. 4



Rys. 5



- ⚠ **OSTRZEŻENIE:** Jeśli jakiegokolwiek części są uszkodzone lub brakuje ich, nie korzystaj z produktu, dopóki nie zostaną wymienione. Na skutek nieprzestrzegania tego ostrzeżenia może dojść do poważnych obrażeń.
- ⚠ **OSTRZEŻENIE:** Nie próbuj samodzielnie dokonywać przeróbek tego produktu lub wykorzystywać akcesoriów, które nie są zalecane do użycia z tym produktem. Każda taka zmiana lub przeróbka stanowi niewłaściwy sposób użycia i może prowadzić do niebezpiecznej sytuacji i w konsekwencji do poważnych obrażeń.
- ⚠ **OSTRZEŻENIE:** Nie podłączaj urządzenia do źródła napięcia, dopóki nie został zakończony jego montaż. Nieprzestrzeganie tego zalecenia może doprowadzić do przypadkowego uruchomienia urządzenia i ewentualnych poważnych obrażeń.

7. PRZED WŁĄCZENIEM KULTYWATORA ELEKTRYCZNEGO

- ⚠ **UWAGA:** Nigdy nie demontuj ani nie przerabiaj elementów zabezpieczających zamontowanych na kultywatorze elektrycznym (np. przymocowanie wciśniętego przycisku/dźwigni do rękojści).
- ⚠ **UWAGA:** Noże kultywatora będą się przez chwilę obracać po jego wyłączeniu! Nigdy nie podnoś ani nie przenoś kultywatora z włączonym silnikiem. Podczas włączania upewnij się, że Twoje nogi znajdują się w bezpiecznej odległości od noży kultywatora.
- ⚠ **UWAGA:** Zawsze prowadź kultywator za uchwyt obiema rękoma. Prowadź kultywator wyłącznie z prędkością pieszego spaceru.

Przed włączeniem kultywatora przekonaj się, czy jego noże nie dotykają żadnego przedmiotu i czy mogą się swobodnie poruszać. Trzymaj mocno uchwyt obiema rękami. Nigdy nie pracuj z kultywátorem jedną ręką.

- ⚠ **UWAGA:** Kultywator może podskoczyć w górę lub do przodu, jeśli noże natrafiają na bardzo twardą czy zmarzniętą glebę lub jeśli na czy w glebie znajdują się ukryte przeszkody, jak np. duże kamienie, korzenie czy pnie.

Kabel zasilający urządzenia

Korzystaj wyłącznie z nieuszkodzonych kabli zasilających.

Całkowita długość kabli zasilających nie może przekroczyć 40 metrów, ponieważ przekroczenie tej odległości prowadzi do obniżenia mocy silnika elektrycznego. Kabel zasilający powinien mieć przekrój $3 \times 1,5 \text{ mm}^2$.

Wtyczki i gniazdka kabli zasilających powinny być wykonane z gumy i odporne na przyskajającą wodę. Dłuższe kable zasilające wymagają większych przekrojów przewodów. Kable zasilające i przewody łączące powinny być regularnie sprawdzane pod względem uszkodzeń. Przed kontrolą przewodów przekonaj się, że nie znajdują się one pod napięciem. Całkowicie rozwiń kabel zasilający. Sprawdź również miejsca przy wejściu kabla, przy wtyczce i gniazdku.

8. OBSŁUGA

⚠ WAŻNE OSTRZEŻENIA:

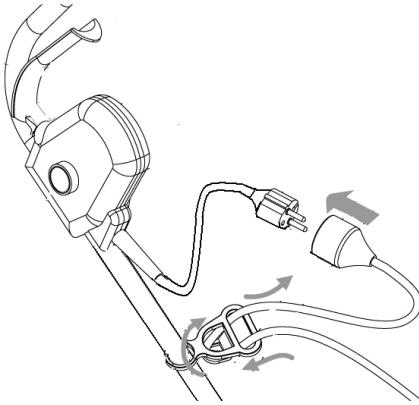
! Przed włączeniem silnika najpierw przesuń kultywator w miejsce, gdzie zamierzasz pracować.

! Podczas włączania mocno przytrzymaj kultywator.

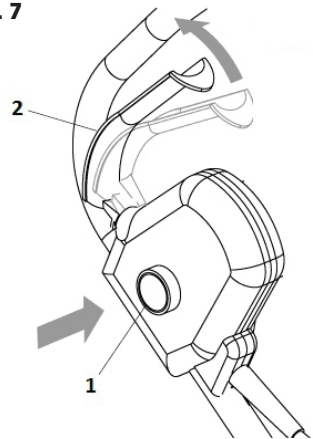
! Podczas pracy noże kultywatora będą ciągnąc go do przodu. Powoli opuść na dół noże za pomocą uchwytów.

1. Włączanie
 - Podłącz kabel zasilający i umieść go w uchwycie zabezpieczającym (rys. 6)
2. Wciśnij najpierw bezpiecznik wyłącznika (rys. 7, punkt 1) i trzymaj go wciśnięty. Następnie przyciągnij dźwignię zapłonu do uchwytu (rys. 7, punkt 2) i zwolnij bezpiecznik wyłącznika.

Rys. 6



Rys. 7



⚠ UWAGA:

Kultywator jest przeznaczony do rozbijania darni i przygotowania grządek pod zasiew.

W celu rozbicia darni lub głębokiego spulchnienia gleby zadbaj o to, aby noże odciągnęły kultywator aż na koniec zasięgu Twoich rąk, a następnie przyciągnij kultywator mocno do siebie. Najlepsze wyniki osiągniesz poprzez wielokrotne umożliwienie ruchu kultywatora do przodu i jego ponowne przyciągnięcie do tyłu. Wykonując ruch kultywatora w kierunku do siebie sprawia, że noże wbijają się agresywniej i głębiej.

Jeśli kultywator wryje się głęboko i pozostanie na jednym miejscu, delikatnie poruszaj nim z boku na bok, aż zacznie się poruszać do przodu.

⚠ OSTRZEŻENIE:

! Aby uniknąć potknięcia podczas ruchu do tyłu i przyciągania kultywatora w kierunku do siebie, zachowaj szczególną ostrożność.

! Nigdy nie przejeżdżaj kultywatorem przez przedłużacz. Upewnij się, że kabel znajduje się zawsze w bezpiecznej pozycji za Tobą.

! Podczas pracy na zboczu stój zawsze w poprzek zbocza, aby zachować stabilną, bezpieczną postawę. Nie pracuj na skrajnie stromych zboczach.

9. SPOSÓB UŻYCIA

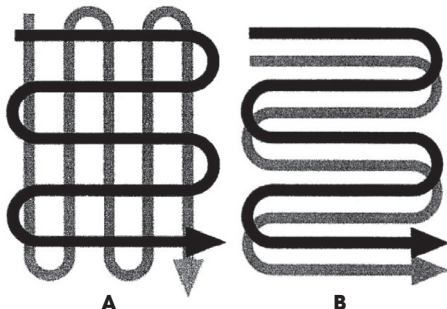
Aby przygotować grządkę do zasiewu, zalecamy skorzystać z jednego z następujących wzorów:

Wzór spulchnianie A – Przejeżdż kultywátorem dwukrotnie po spulchnianym terenie, po raz drugi prostopadłe do pierwszego spulchniania, por. rys. 8.

Wzór spulchnianie B – Przejeżdż kultywátorem dwukrotnie po spulchnianym terenie, po raz drugi zachodząc na pierwsze spulchnianie, por. rys. 8.

Przed użyciem kultywátora usuń z terenu wszystkie widoczne kamienie czy przedmioty obce.

Rys. 8



⚠ UWAGA: Przed przemieszczeniem kultywátora z jednego miejsca na drugie wyłącz silnik i poczekaj, aż noże się całkowicie zatrzymają. Uważaj, aby noże nie dotykały ziemi podczas przemieszczania kultywátora. Noże i samo urządzenie mogą zostać uszkodzone, nawet jeśli silnik jest wyłączony.

Usuwanie przedmiotów obcych

Podczas pracy może dojść do zablokowania kamienia czy korzenia w nożach lub do wplątania się wysokiej trawy czy chwastów wokół wału. W celu oczyszczenia noży czy wału zwolnij dźwignię rozrusznika, poczekaj, aż noże się całkowicie zatrzymają i odłącz kultywátor od zasilania. Zwolnij czy usuń przedmioty obce z noży czy wału. Aby uprościć usuwanie wysokiej trawy czy chwastów zdemontuj jeden czy kilka noży.

10. KONSERWACJA

Przed dokonaniem konserwacji odłącz zasilanie.

Podczas wykonywania konserwacji noś rękawice ochronne.

Przed każdym użyciem sprawdź, czy przedłużacz nie jest uszkodzony lub przestarzały. Wymień kabel, jeśli jest pęknięty, postrzępiony lub uszkodzony w inny sposób. Sprawdź stan noży i dokręć mocno wszystkie połączenia gwintowane. Jeśli noże są tępe, naostrz je lub wymień. W celu uzyskania pomocy zadzwoń do autoryzowanego serwisu.

Zużyte lub uszkodzone części wymień wyłącznie na oryginalne części zamienne. Części pochodzące z innego kultywátora mogą nie być kompatybilne, co może prowadzić do powstania niebezpiecznej sytuacji.

Sprawdź, czy wszystkie elementy zabezpieczające są bezpieczne i w dobrym stanie. W razie potrzeby napraw je lub wymień. Raz w sezonie dokonaj smarowania noży i wału. Przed odstawieniem do przechowania pod koniec sezonu sprawdź, czy kultywator nie jest uszkodzony. Napraw lub wymień uszkodzone części.

⚠ UWAGA: Po każdym użyciu wyczyść kultywator. Niewykonanie prawidłowego czyszczenia może prowadzić do uszkodzenia kultywatora lub obniżenia jego efektywności. Oczyszć spodnią płytę nośną silnika i ostrość noży szczotką i miękką ścierką zwilżoną roztworem wody z delikatnym mydłem.

Nigdy nie używaj do czyszczenia kultywatora węża z wodą! Nigdy nie myj kultywatora pod bieżącą wodą, w szczególności wodą pod ciśnieniem.

Jeśli chcesz usunąć glebę i zanieczyszczenia ze skrzyni biegów i noży, skorzystaj z twardej szczotki lub zwilżonej ściereki. Wyczyść otwory znajdujące się na pokrywie silnika i usuń wszelkie resztki trawy i zanieczyszczeń. Natychmiast po zakończeniu czyszczenia wytrzyj do sucha noże i wał i nanieś cienką warstwę oleju, aby nie dopuścić do korozji.

Montaż i demontaż noży

W tym celu wyczyszczenia zalecamy skontaktowanie z autoryzowanym serwisem.

Zużyte noże obniżają efektywność urządzenia i przeciążają silnik.

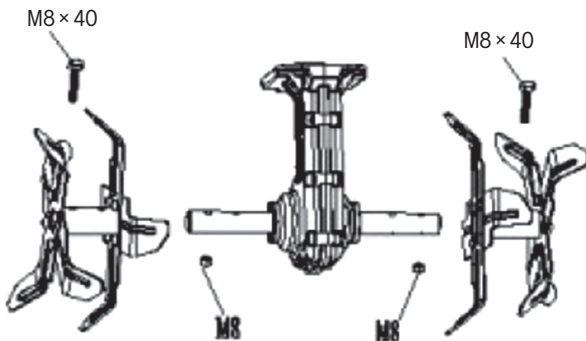
Przed każdym użyciem urządzenia należy sprawdzić noże. W razie potrzeby poddaj nóż ostrzeniu lub wymień go.

W celu uzyskania pomocy skontaktuj się z autoryzowanym serwisem.

⚠ OSTRZEŻENIE: Podczas pracy z nożami może dojść do obrażeń. Korzystaj z rękawic ochronnych.

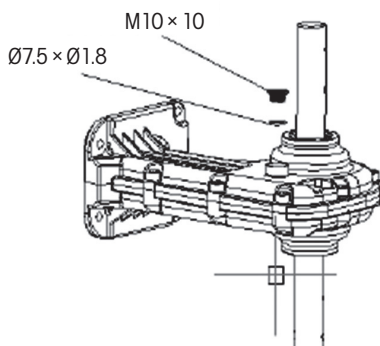
W celu zdjęcia noży z wału (Rys. 9) odkręć śrubę M8 × 40 z głowicą sześciokątną z wału. Zdejmij noże z wału. Aby zamontować noże, wykonaj te same czynności w odwrotnej kolejności.

Rys. 9



Dolewanie oleju do skrzyni biegów (Rys. 10):

Śruba wypustowa jest umieszczona z prawej strony skrzyni biegów. Przed odkręceniem śruby wypustowej poźó kultywator na lewej stronie i oczyść skrzynię biegów z zanieczyszczeń. Jeśli to konieczne, zdemontuj noże w celu uzyskania lepszego dostępu do śruby wypustowej. W celu odkręcenia śruby skorzystaj z 5mm klucza imbusowego. Wylej olej ze skrzyni biegów. Dolej wysokiej jakości olej SAE 30 do takiego poziomu, aż zaczniesz wypływać z otworu. Przykręć ponownie śrubę wypustową.

Rys. 10

11. PRZECHOWYWANIE

⚠ UWAGA: Ryzyko pożaru! Skrzynia biegów może być podczas użytkowania i po nim bardzo gorąca.

Przechowuj kultywator w bezpiecznej odległości od paliw, olejów, wazelin i gazów.

Dokładnie wyczyść całe urządzenie i jego wyposażenie.

Przechowuj je poza zasięgiem dzieci w stabilnej i bezpiecznej pozycji w chłodnym i suchym miejscu, unikaj zbyt wysokich i zbyt niskich temperatur. Chroń urządzenie przed oddziaływaniem bezpośredniego światła słonecznego. O ile to możliwe, przechowuj je w ciemności. Nie przechowuj urządzenia w plastikowych torbach, aby nie doszło do gromadzenia wilgotności.

Pod koniec każdego sezonu dokonaj ogólnej kontroli maszyny i usuń wszelkie osady, które się na niej zgromadziły. Na początku każdego sezonu upewnij się, czy sprawdziłeś, w jakim stanie jest maszyna. W razie konieczności dokonania naprawy skontaktuj się z jednym z naszych serwisów (por. adres na karcie gwarancji).

Przechowuj kultywator w suchym i czystym miejscu, do którego nie mają dostępu dzieci.

W przypadku długookresowego przechowywania upewnij się, że kultywator jest chroniony przed korozją i mrozem.

Pod koniec sezonu lub jeśli kultywator nie będzie używany dłużej niż miesiąc, przetrzyj wszystkie metalowe powierzchnie ścierką zwilżoną w oleju lub spryskaj je cienką warstwą oleju w sprayu, aby chronić urządzenie przed korozją. Opuść uchwyt w dół i odstaw kultywator w odpowiednie miejsce.

12. ROZWIĄZYWANIE PROBLEMÓW

Problem	Możliwe przyczyny	Rozwiązanie
Silnik się nie włącza.	Urządzenie nie jest podłączone do zasilania.	Podłącz urządzenie do zasilania.
	Sieć nie jest pod napięciem.	Sprawdź zasilanie.
	Uszkodzony kabel.	Sprawdź kabel. W razie potrzeby napraw go lub wymień.
	Wadliwy włącznik bezpieczeństwa/włóczka.	Skontaktuj się z autoryzowanym ośrodkiem serwisowym.
	Został uruchomiony bezpiecznik zapobiegający przegrzaniu.	<ol style="list-style-type: none"> 1. Kultywator pracuje na zbyt dużej głębokości, ustaw mniejszą głębokość. 2. Noże są zablokowane, usuń przeszkodę. 3. Gleba jest zbyt twarda, wybierz odpowiednią głębokość pracy i poruszaj maszyną do przodu i do tyłu obniżając jednocześnie prędkość pracy. Przed kolejnym użyciem odczekaj ok. 15 minut do ostygnięcia silnika.
Nadmierny hałas.	Noże są zablokowane.	Wyłącz urządzenie. Poczekaj, aż noże się całkowicie zatrzymają. Usuń zablokowane przedmioty.
	Wypływający olej.	Należy oddać kultywator do naprawy. W celu uzyskania pomocy zadzwoń pod naszą linię obsługi klienta.
	Brak śruby, nakrętki lub innej części.	Dokręć wszystkie części. Jeśli hałas trwa nadal, umów się na naprawę.
Nadmierna wibracja.	Noże są uszkodzone lub zużyte.	Wymień uszkodzone lub zużyte noże.
	Kultywator pracuje na zbyt dużej głębokości.	Ustaw prawidłową głębokość pracy.
Złe efekty pracy.	Kultywator pracuje na zbyt małej głębokości.	Ustaw prawidłową głębokość pracy.
	Zużyte noże.	Wymień uszkodzone lub zużyte noże.

13. DANE TECHNICZNE

Model	FZK 2002 E
Zasilanie	230–240 V, 50 Hz
Pobór mocy.....	750 W
Obroty na biegu jałowym	380/min
Szerokość pracy.....	320 mm
Głębokość pracy	20 cm
Liczba noży	4 szt.
Ciężar	8 kg

Wartości emisji hałasu wg normy

LpA (ciśnienie akustyczne)	79,0 dB(A)
LwA (poziom mocy akustycznej)	93 dB(A)
Gwarantowany poziom mocy akustycznej LwA	MAX 96 dB(A)

Poziom wibracji..... 1,158 m/s²K = 1,5 m/s²

14. DEKLARACJA ZGODNOŚCI



FAST ČR, a. s.
 Černokostecká 1621, 251 01 Říčany u Prahy, tel.: 323 204 111, fax: 323 204 110
 E-mail: info@faster.cz
 Cejl 31, 602 00 Brno, tel.: 531 010 292-3, fax: 531 010 294
 E-mail: brno@faster.cz

CE DEKLARACJA ZGODNOŚCI

Producent:

FAST ČR, a. s.
 Černokostecká 2111, 100 00 Praha 10, Republika Czeska
 NIP: CZ26726548

Produkt/marka: Kultywator elektryczny/FIELDMANN

Typ/model: FZK 2002 E
 230 V, 750 W, 50 Hz

Ten produkt spełnia poniższe przepisy:

WE dyrektywa niskonapięciowa nr 2006/95/ES
 WE dyrektywa maszynowa Rady 2006/42/WE
 WE dyrektywa dotycząca kompatybilności elektromagnetycznej (EMC) nr 2004/108/WE
 WE dyrektywa RoHS 2002/95/WE

i normy:

EN 60335-1:2002+A1+A11+A12+A13+A14+A15
 EN 709:1997+A4
 EN 62233:2008
 ZEK 01.4-08/11.11
 EN 55014-1:2006+A1+A2
 EN 55014-2:1997+A1:2002
 EN 61000-3-2:2006+A1+A2
 EN 61000-3-3:2008

Oznaczenie CE: 15

Spółka FAST ČR, a. s. ma prawo działać w imieniu producenta.

Miejsce wydania: Praga

Imię i nazwisko: Inż. Zdeněk Pech
 Prezes Zarządu

Data wydania: 22.9.2015

Podpis:

FAST FAST ČR, a. s. ©
 Černokostecká 1621, 251 01 Říčany
 IČO: 26726548 tel.: +420/ 323 204 111
 DIČ: CZ26726548 fax: +420/ 323 204 110

Siedziba spółki: Černokostecká 2111, 100 00, Praha 10
 REGON: 26726548, NIP: CZ26726548
 Nazwa banku: Komerční banka Praha 1, nr rach. 89309-011/0100

15. LIKWIDACJA

Wskazówki i informacje dotyczące posługiwania się zużytym opakowaniem

Zużyty materiał z opakowania należy przekazać na gminne wysypisko odpadów.



Maszyna i jej wyposażenie są wyprodukowane z różnych materiałów, np. z metalu i plastiku. Uszkodzone części należy oddać do punktu selektywnej zbiórki. Szczegółowych informacji udziela odpowiedni urząd.



Ten produkt spełnia wszelkie podstawowe wymogi dyrektyw UE, które go dotyczą.

Zastrzegamy sobie możliwość dokonywania zmian tekstu, designu i danych technicznych wyrobu bez uprzedzenia.

Instrukcja użycia w języku oryginalnym.

ELEKTRIČNI KULTIVATOR

PRIROČNIK ZA UPORABO

Zahvaljujemo se vam za nakup električnega vrtnega kultivatorja.

Preden ga boste začeli uporabljati, prosimo, da pozorno preberite ta priročnik za uporabo in ga shranite za kasnejšo uporabo. Ta izdelek je bil konstruiran in izdelan v skladu z našimi visokimi standardi zanesljivosti, preproste uporabe in varnega delovanja. S pravilno nego boste ta izdelek zanesljivo uporabljali brez težav še veliko let.

KAZALO

1. Splošni varnostni predpisi	94
Pomembno varnostno opozorilo.....	94
Embalaza	96
Navodila za uporabo	96
2. Osnove varnosti pri delu	97
Delovna oblačila / delovno območje.....	98
Prekinjanje dela.....	98
Druga tveganja	98
3. Simboli	99
4. Namen uporabe	100
5. Opis stroja	100
6. Sestavljanje.....	101
7. Pred vklopom električnega kultivatorja.....	102
Električni kabel stroja.....	102
8. Uporaba.....	103
9. Uporaba.....	104
Odstranjevanje tujkov	104
10. Vzdrževanje.....	104
11. Pogoji shranjevanja	106
12. Odpravljanje težav	107
13. Tehnične specifikacije.....	108
14. Izjava o skladnosti.....	109
15. Odlaganje	110

1. SPLOŠNI VARNOSTNI PREDPISI

Pomembno varnostno opozorilo

- ✿ Predvidno vzemite izdelek iz embalaže, pri tem pa pazite, da ne boste zavrgli nobenega dela embalaže, dokler ne boste ugotovili, da so priloženi vsi deli.
- ✿ Izdelek shranite na suho mesto, izven dosega otrok.
- ✿ Preberite vsa opozorila in navodila. Neupoštevanje opozoril ali navodil lahko privede do poškodb zaradi električnega udara, požara in/ali drugih resnih poškodb.

- ✿ Pred uporabo preverite, ali so vsi, ki uporabljajo ta stroj, prebrali in razumeli ta varnostna navodila in druge informacije, ki so v tem priročniku.

⚠ OPOMBA: Med uporabo stroja nosite ustrezno zaščito sluha. V določenih okoliščinah in po določenem času uporabe stroja lahko hrup stroja povzroči izgubo sluha.

Kontrolni pregled poškodovanih delov

Pred vsako uporabi je treba skrbno pregledati vse poškodovane dele in določiti ali bodo delovali pravilno in izpolnjevali svojo funkcijo. Preverite nastavitvev in pritrditev gibljivih delov, poškodovanih delov, pritrdilnih elementov in drugih pogojev, ki bi lahko vplivali na delovanje. Vse poškodovane dele je treba popraviti ali zamenjati.

Izdelka ne uporabljajte v nevarnem okolju

Stroja ne uporabljajte med dežjem, nevihto ali v vlažnem oz. mokrem okolju. Stroja ne uporabljajte v okolju, kjer so plini, ali je okolje eksplozivno. Motor tega stroja se iskri med delovanjem in te iskre lahko vnamejo hlape.

Izdelek hranite izven dosega otrok

Mimoidoči, otroci in živali morajo biti na varni razdalji.

Nosite ustrezna oblačila

Ne nosite ohlapnih oblačil in nakita, dolge lase pa skrijte pod mrežico za lase. Lahko jih zagrabijo gibljiva rezila. Med delom na prostem priporočamo, da nosite gumijaste rokavice in trdno obutev.

Uporabljajte zaščitna očala

Med uporabo tega izdelka nosite varnostna očala z zaščito ob strani. Pri delu v prašnem okolju nosite masko ali dihalni aparat.

Dvojna izolacija

Kultivator ima dvojno izolacijo. To pomeni, da so vsi kovinski sestavni deli zaščiteni pred napajanjem z elektriko. To je doseženo s plastjo izolacije med električnimi in mehanskimi sestavnimi deli. Dvojna izolacija vam zagotavlja najvišjo možno raven varnosti.

Kabelski podaljšek

Preverite, ali je kabelski podaljšek v dobrem stanju. Če uporabljate kabelski podaljšek zagotovite, da bo dovolj močen in lahko tako napaja potreben tok za delovanje stroja. Kabelski podaljšek s premajhnimi merami povzroči, da se zmanjša električna napetost, posledica tega pa je zmanjšana zmogljivosti in pregrevanje.

Kabelski podaljšek in električni kabel naprave lahko spojite z vozlom in tako preprečite, da se ločita med uporabo stroja. Vozel zavežite tako, kot je prikazano v spodnji sliki, nato vtaknite vtič električnega kabla stroja v vtičnico na koncu kabelskega podaljška. Na enak način lahko spojite dva kabelska podaljška.

Med delom z vrtnim kultivatorjem bodite pozorni na kabelski podaljšek. Pazite, da ne boste povozili električnega kabla. Električni kabel speljite vedno v stran od rezil vrtnega kultivatorja.

Zaščita zoper pregrevanje

Če je kultivator blokiran zaradi tujkov, ali pa je motor preobremenjen, bo varnostni mehanizem samodejno izklopil motor. Sprostite ročico zaganjalnika in počakajte, da se motor ohladi (približno 15 minut) in šele nato zaženite znova kultivator.

Če stroja ne boste uporabljali več, če ga nameravate oprati ali popravljati, ga **odklopite** od napajanja z električnim tokom. Naprave ne puščajte brez nadzora.

Ne poškodujte električnega kabla

Stroja nikoli ne nosite tako, da ga držite za električni kabel in vtiča ne izvlecite iz vtičnice s kablom. Električni kabel zaščitite zoper vročino, olje in ostre robove.

Stroj uporabljajte pravilno

Te naprave ne uporabljajte v druge namene, kot so opisani v teh navodilih in za katere je namenjena (glejte poglavje "Namenska uporaba").

Ne precenjujte svojih sposobnosti

Kultivator premikajte le s hitrostjo hoje. Med delom bodite vedno ohranjajte stabilen in varen položaj.

Svetloba

Kultivator uporabljajte le podnevi ali pod močno umetno svetlobo.

Če stroja ne boste uporabljali več, ga shranite pod streho

Če vrtnega kultivatorja ne boste uporabljali več, ga postavite pod streho, na suho mesto, do katerega otroci nimajo odstopa.

Stroj vzdržujte zelo natančno

Za najboljše rezultate dela in najmanjše tveganje poškodb naj bo stroj vedno čist in redno preverjajte kabelski podaljšek ter ga zamenjajte, če je poškodovan. Ročaji naj bodo suhi, čisti in brez olja.

Vedno bodite pozorni

Med delom bodite vedno pozorni. Uporabljajte zdravo pamet. Ne uporabljajte vrtnega kultivatorja, če ste utrujeni ali pod vplivom alkohola oziroma zdravil.

⚠ OPOZORILO: Ne uporabljajte vrtnega kultivatorja v bližini podzemnih električnih ali telefonskih kablov, cevovodov ali gibkih cevi. Če kultivator zadene ob tujek, ga takoj izklopite, počakajte, da se ustavijo rezila in preverite, ali niso poškodovana. Če je treba, opravite servis v pooblaščenem servisnem središču. Če se začne kultivator občutno tresti, ga takoj izklopite in ugotovite vzrok. Tresaenje je običajno kaže na težave.

⚠ POZOR: Nevarnost urreznin! Ko čistite in vzdržujete vrtnega kultivator nosite zaščitne rokavice in dela opravljajte previdno.

Pred začetkom vzdrževanja ali popravil vrtnega kultivatorja ga ugasnite, počakajte, da se rezila ustavijo in ga nato odklopite od električnega napajanja.

⚠ OPOMBA: Rezila se ne bodo ustavila takoj, ko se kultivator izklopi.

⚠ OPOMBA: Nevarnost poškodb. Roke, noge in drugi deli telesa ter oblačila naj bodo vedno dovolj odmaknjeni od vrtečih se rezil vrtnega kultivatorja.

Embalaža

Izdelek je zapakiran v embalažo, ki preprečuje poškodbe med prevozom. Embalažo je možno v celoti reciklirati.

Navodila za uporabo

Pred začetkom del s strojem preberite naslednja varnostna navodila in skrbno preštudirajte osnove za delo s strojem. Seznanite se z elementi upravljanja in pravilno uporabo vrtnega kultivatorja. Priročnik imejte na varnem in zlahka dostopnem mestu za uporabo v prihodnje. Shranite originalno embalažo, material, garancijsko kartico in potrdilo o nakupu, vsaj za obdobje garancije. Če morate poslati verižno žago nazaj, jo zapakirajte v originalno kartonsko škatlo in tako poskrbite za najboljšo zaščito med prevozom (tj. kadar potujete ali kadar morate poslati izdelek v popravilo v servisno središče).

📖 OPOMBA: Če boste napravo posojali drugi osebi, mu priložite tudi ta priročnik. Upoštevanje navodil v priročniku za uporabo, je predpogoj za pravilno uporabo drobilnika. V priročniku so tudi navodila za uporabo, vzdrževanje in popravila. Proizvajalec ne odgovarja za nobene nesreče ali poškodbe, ki bi nastale zaradi neupoštevanja navodil v tem priročniku.

2. OSNOVE VARNOSTI PRI DELU

- ✿ **Nikoli ne uporabljajte stroja, če je poškodovan ali vidno obrabljen električni kabel.**
- ✿ **Če priklopite kultivator s poškodovanim električnim kablom na vir električne energije in se nato dotaknete mesta, ki ni izolirano preden je kultivator izklopljen iz električnega napajanja, ste sami izpostavljeni tveganju poškodb zaradi udara elektrike.**
- ✿ **Prav tako se nikoli ne dotikajte rezil, dokler stroj ni izklopljen iz električnega napajanja in počakajte, da se rezila popolnoma ustavijo.**
- ✿ **Zagotovite, da se kabelski podaljšek nikoli ne bo dotikalo rezil. Rezila lahko poškodujejo izolacijo električnega kabla in tako lahko nastane tveganje za poškodbe zaradi udara elektrike, če se določeni deli telesa dotaknejo oguljene žice, ki je pod napetostjo.**
- ✿ **Izklopite stroj iz vira električne napetosti (npr. izvlecite vtič električnega kabla iz električne vtičnice):**
 - če morate zapustiti stroj brez nadzora
 - če načrtujete odpravljanje motenj
 - pred vsakim kontrolnim pregledom, čiščenjem ali popravili
 - če ste med delom zadeli ob tujek
 - če se stroj preveč tresse
- ⚠ **PRIPOROČILA:** Stroj priklopite le na vi električne energije, ki ima zaščitno stikalo za diferenčni tok (stikalo RCD) z največjim naznačenim diferenčnim tokom 30 mA.
- ✿ Če je poškodovan električni kabel, ga mora zamenjati proizvajalec ali njegov pooblaščen servis.
- ✿ Tega stroja ne smejo upravljati osebe z omejenimi fizičnimi, čutnimi ali duševnimi zmožnostmi (vključno z otroci). U/porabljati ga ne smejo tudi neizkušene osebe, ki imajo premalo tehničnega znanja o delovanju tovrstnih strojev. Takšne osebe lahko uporabljajo stroj le pod nadzorom pristojne osebe ali, če so bile izčrpno poučene o osnovah varnega dela.
- ✿ Otroke, ki so v bližini stroja je treba nadzirati in preprečiti, da bi se igrali s strojem.
- ✿ Občutek mravljincev ali odrevenelost v rokah upravljavca sta znaka premočnega tresenja. Če pride do tega, skrajšajte obdobja dela, si privoščite dovolj dolge prekinitve, razdelite delo med več ljudi ali, če kultivator uporabljate dalj časa, uporabite med delom posebne rokavice za zaščito zoper tresenje.
- ✿ Neizogibna posledica uporabe vrtnega kultivatorja je oddajanje hrupa med uporabo. Zato opravljajte glasno delo le med dovoljenimi urami oziroma v času, ki je ta vrsta aktivnosti običajna. Upoštevajte čase miru in skušajte omejiti delo na najkrajši možni čas. Prav tako priporočamo, da nosite vi in osebe, ki so v neposredni bližini vrtnega kultivatorja nosite zaščito za sluh.
- ✿ Ne uporabljajte električnega vrtnega kultivatorja s poškodovanimi, deformiranimi ali obrabljenimi varnostnimi mehanizmi (varnostno zagonsko stikalo, zaščitni pokrov) in/ali rezili. Da bi se izognili nepravilni uravnoteženosti je treba brez izjeme zamenjati poškodovane sestavne dele in sornike v kompletu.

- ✿ Pred začetkom dela pregledajte območje dela in odstranite tujke (na primer kamne, veje itd.).
- ✿ Če med delom zadenete ob oviro ali, če se zataknejo rezila, izklopite električni kultivator, izvlecite vtič iz vtičnice in počakajte, da se rezila ustavijo. Nato odstranite oviro. Preverite, ali je električni kultivator poškodovan in če je treba poiščite pomoč v pooblaščenem servisu.
- ✿ Električni kultivator uporabljajte samo tako, kot je opisano v tem priročniku.
- ✿ Ne vlecite kultivatorja vzdolž trde površine (beton, m poti) ali gor/dol po stopnicah. Ne preobremenjujte motorja. Na kultivator ne postavljajte dodatne teže. Ko se končali z delom s kultivatorjem ga odklopite od napajanja z elektriko in preverite, ali stroj, še posebej rezila niso poškodovana in če je treba poiščite pomoč v pooblaščenem servisu.
- ✿ Bodite izjemno previdni, ko hodite vzvratno. Lahko se spotaknete!
- ✿ Ko delate na pobočju, vedno delajte premišljeno in bodite v varne in stabilnem položaju.
- ✿ Še posebej pozorni bodite, ko spreminjate smer na pobočju in ne delajte prehitro na pobočju.
- ✿ Delajte le, če je vidljivost dobra.

Delovna oblačila / delovno območje

- ✿ Samo ste odgovorni za varnost v delovnem območju.
- ✿ Prepričajte se, ali v bližini delovnega območja ni ljudi (še posebej otrok) ali živali.
- ✿ Nosite robustne delovne škornje in dolge hlače, ki zagotavljajo zaščito za vaše noge. Nikoli ne uporabljajte kultivatorja, če imate obute sandale ali ste bos.
- ✿ Rok in nog ne imejte v bližini rezil - še posebej ko zaganjate stroj! Kabelski podaljšek naj ne bo v bližini rezil.
- ✿ Seznanite se z okolico in zavedajte se morebitnih nevarnosti, ki jih lahko prezrete zaradi hrupa stroja.
- ✿ Stroja ne uporabljajte med dežjem ali v vlažnem oz. mokrem okolju. Nikoli ne delajte v bližini plavalnih bazenov in vrtnih ribnikov.










Prekinjanje dela

- ✿ Nikoli ne puščajte brez nadzora električnega kultivatorja v delovnem območju.
- ✿ Če ste prekinili delo, vedno pustite električni kultivator na varnem mestu in ga odklopite od električnega napajanja.
- ✿ Ko premikate električni kultivator z enega delovnega območja na drugo ga izklopite in počakajte, da se ustavijo rezila. Odklopite električni kabel.

Druga tveganja

- ✿ Ne glede na dejstvo, da so naši izdelki konstruirani tako, da izpolnjujejo veljavne tehnične standarde in veljavne varnostne smernice še vedno obstajajo določena tveganja za uporabnika, ki so povezana z delovanjem stroja:
 - kamni in drugi delci so lahko izvrženi iz območja rezil
 - če upravitelj stroja ne uporablja zaščite sluha obstaja tveganje, da ogluši
 - poškodbe prstov med vzdrževanjem rezil
 - vdihavanje delcev prahu med delom z električnim kultivatorjem
 - udar elektrike ob dotiku neizoliranih sestavnih delov.

3. SIMBOLI

	<p>Opozorilo: Preberite priročnik!</p>
	<p>Ne uporabljajte v dežju ali mokroti!</p>
	<p>Drugi ljudje morajo ostati na varni razdalji!</p>
	<p>Vrteči se deli! Ko ugasnete motor se rezila kultivatorja ustavijo šele po določenem času.</p>
	<p>Pred preverjanjem poškodb električnega kabla ali pred čiščenjem rezil vedno izklopite kultivator in ga odklopite od napajanja z elektriko.</p>
	<p>Zavarujte električni kabel, da je pride v stik z rezili!</p>
	<p>V skladu z veljavnimi temeljnimi varnostnimi standardi evropskih direktiv.</p>
	<p>Ta stroj je zavarovan z dvojno izolacijo in zato ni treba uporabljati ozemljitvene žice. Vedno preverite, ali se napetost omrežja ujema z napetostjo na tipski ploščici.</p>
	<p>Uporabljajte zaščito za sluh! Uporabite zaščito za oči! Uporabite zaščito za dihalne organe!</p>

4. NAMEN UPORABE

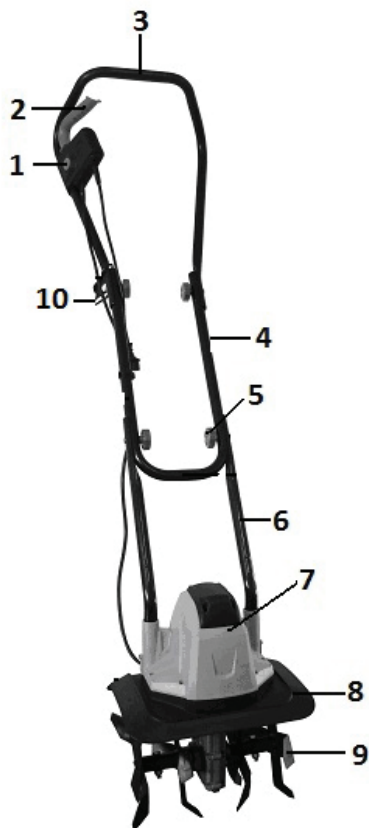
Električni kultivator FIELDMANN je namenjen za razbijanje večjih kep in trdih kosov zemlje v manjše, srednje velikosti, ki so primerni za vrtnarska območja, domače vrtove in vrtnice. Ni namenjen za uporabo na javnih poljih, v parkih, športnih centrih, na cestah in v poljedelstvu ali gozdarstvu.

Električnega kultivatorja ni dovoljeno uporabljati za drobljenje kamnov ali oranje travnatih površin!

Upoštevanje teh navodil je predpogoj za pravilno uporabo električnega kultivatorja.

5. OPIS STROJA

SI. 1



1. Zaklep stikala
2. Ročica zaganjalnika
3. Zgornji del ročaja
4. Srednji del ročaja
5. Vijak za ročico z matico s kritci
6. Spodnji del ročaja
7. Motor
8. Zaščitni pokrov rezila
9. Jeklena rezila
10. Varnostni nosilec električnega kabla

6. SESTAVLJANJE

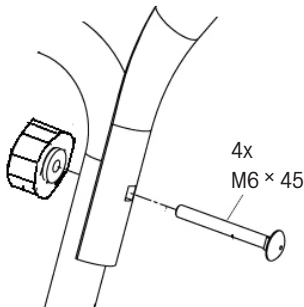
1. Spodnji del ročaja vtaknite v luknjo v trupu kultivatorja in ga pritrдите na tem mestu s priloženimi vijaki M4 × 20 (sl. 2).

Sl. 2



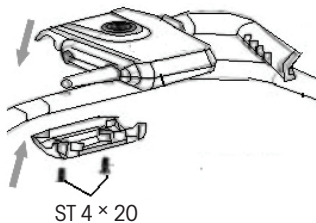
2. Srednji del ročaja spojite s spodnjim delom ročice in ga pritrđite na mestu z matico s krilci (sl. 3).

Sl. 3

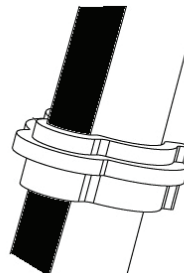


3. Namestitev zgornjega dela ročaja:
 - najprej namestite varnostni nosilec električnega kabla (na desno stran) na zgornjem delu ročaja (sl. 1, točka 10)
 - zgornji del ročice spojite s srednjim delom ročice in ga pritrđite na mestu z matico s krilci (sl. 3)
 - s priloženimi vijaki ST4 × 20 pritrđite na ročaj še preklopnik (sl. 4). Posamezni sestavni deli preklopnika morajo zdrsniti v luknje v ročaju. Nato priklpite na ročaj električne kable in za to uporabite plastične nosilce (sl. 5).

Sl. 4



Sl. 5



- ⚠ **OPOZORILO:** Če je poškodovan ali manjka kateri koli sestani del, ne uporabljajte izdelka, dokler ga niste zamenjali. Če ne upoštevate tega opozorila, lahko pride do resnih poškodb.
- ⚠ **OPOZORILO:** Ne skušajte spreminjati tega izdelka ali ne izdelujte opreme, ki ni priporočena za uporabo s tem izdelkom. Vsaka taka sprememba ali prilagoditev predstavlja nepravilno uporabi in lahko povzroči nevarne pogoje, njihova posledica pa so lahko hude poškodbe.
- ⚠ **OPOZORILO:** Ne priklaplajte stroja na vir električne energije, dokler ni sestavljen do konca. Neupoštevanje tega navodila lahko povzroči nehoten zagon stroja in možne hude poškodbe.

7. PRED VKLOPOM ELEKTRIČNEGA KULTIVATORJA

- ⚠ **POZOR:** Nikoli ne odstranite ali staknite na kratko varnostnih funkcij, nameščenih na električnem kultivatorju (na primer s pritrditvijo gumba /vzvoda na ročaj).
- ⚠ **POZOR:** Po izklopu kultivatorja se bodo rezila vrtela še nekaj časa!! Nikoli ne dvigujte ali nosite kultivatorja, če je motor prižgan. Ob vklopu se prepričajte, da imate noge na varni razdalji od rezil kultivatorja.
- ⚠ **POZOR:** Kultivator vodite vedno z ročajem in uporabljajte obe roki. Kultivator premikajte le s hitrostjo hoje.

Pred vklopom kultivatorja se prepričajte, ali se rezila ne dotikajo nobenega predmeta in se lahko premikajo prosto. Kultivator držite med delom vedno trdno z obema rokama. Nikoli ne delajte s kultivatorjem le z uporabo ene roke.

- ⚠ **POZOR:** Kultivator lahko skoči navzgor in/ali naprej, če rezila udarijo ob zelo trdo ali zamrznjeno zemljo ali, če so na zemlji skrite ovire, kot na primer veliki kamni, korenine ali štori.

Električni kabel stroja

Uporabljajte le nepoškodovane električne kable.

Skupna dolžina električnega kabla ne sme preseči 40 metrov, daljša razdalja bo povzročila zmanjšanje moči motorja. Električni kabel mora imeti presek $3 \times 1.5 \text{ mm}^2$.

Vtič in vtičnica kabla morata biti narejena iz gumbe in odporna zoper pršenje vode. Daljši električni kabli morajo imeti večji presek. Redno je treba preverjati, ali električni kabel in priključki niso poškodovani. Pred preverjanjem priključkov preverite, ali niso pod napetostjo. Električni kabel odvijte do konca. Preverite tudi vhodne točke kabla, vtičev in vtičnic.

8. UPORABA

⚠ **POMEMBNA OPOMBA:**

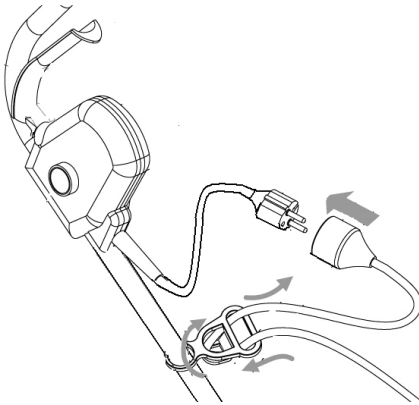
! Pred zagonom motorja premaknite najprej kultivator na kraj, kjer želite delati.

! Ob zagoni držite kultivator trdno z rokami.

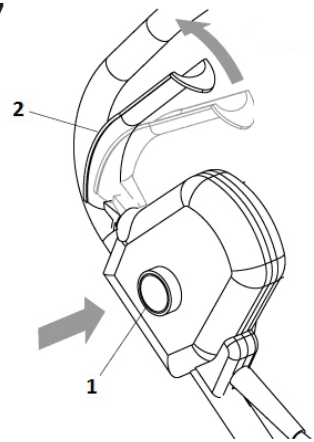
! Med delovanjem bodo rezila kultivatorja vlekla naprej. Z ročajem počasi spustite rezila.

1. Zaganjanje
 - Priključite električni kabel in ga zavarujte v varnostni nosilec električnega kabla (sl. 6)
2. Najprej pritisnite varnostni zaklep sprožilca (sl. 7, točka 1) in ga držite pritisnjenega. Nato potisnite ročico zaganjalnika proti ročaju (sl. 7, točka 2) in spustite varnostni zaklep sprožilca.

Sl. 6



Sl. 7



⚠ **POZOR:**

Kultivator uporabljajte za razbijanje grud zemlje, za pripravo vrtnih gred za setev.

Za razbijanje grud zemlje ali za globoko kopanje omogočite, da kultivator povleče roke do konca dosega in nato trdno povlecite kultivator nazaj proti sebi. Najboljše rezultate boste dosegli s ponavljanjem premikanja kultivatorja naprej in ga nato znova povlečete nazaj k sebi. Z gibanjem kultivatorja naprej boste dosegli bolj agresivno in globlje oranje z rezili.

Če se kultivator spusti pregloboko v zemlji in obstane na mestu, ga nežno stresite na eno in drugo stran, dokler se znova ne začne premikati naprej.

⚠ **OPOZORILO:**

! Ob premikanju nazaj in ko vlečete kultivator k sebi, bodite zelo previdni in se izognite skakanju.

! Nikoli se ne premikajte prek električnega kabla kultivatorja. Preverite, ali je električni kabel varno položen za vami.

! Ko delate na pobočju, vedno stojte diagonalno na strmino, saj lahko tako ohranjate stabilen položaj. Ne delajte na izjemno strmih pobočjih.

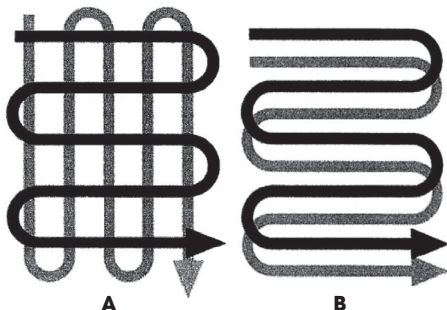
9. UPORABA

Da bi pripravili gredo na vrtnu za setev priporočamo, da uporabljate naslednje vzorce:

Vzorec rahljanja A - po območju, ki ga rahljate, se premikajte dvakrat, drugič v navzkrižni smeri prvega premikanja, glejte sliko 8.

Vzorec rahljanja B - po območju, ki ga rahljate, se premikajte dvakrat, drugič prekrijte prvi premikanje, glejte sliko 8. Bred uporabo odstranite vse vidne kamne ali druge tujke.

SI. 8



⚠ OPOMBA: Pred premikanjem kultivatorja z enega območja na drugo, izklopite motor in počakajte, da se rezila ustavijo. Bodite previdni, da se rezila med premikanjem kultivatorja drugam ne bodo dotikala tal. Rezila in stroj se lahko poškodujejo tudi, če je motor izklopljen.

Odstranjevanje tujkov

Med uporabo se lahko kamen ali korenina zataknejo v rezila ali pa se visoka trava ali plevel ovije okoli gredi. Da bi očistili rezila ali gred, najprej popustite ročico zaganjalnika, počakajte, da se rezila popolnoma ustavijo in odklopite kultivator od napajanja s tokom. Sprostite ali odstranite tujke z rezil ali gredi. Da bi olajšali odstranjevanje trave ali plevela, odstranite eno rezilo ali več.

10. VZDRŽEVANJE

Pred vzdrževalnimi deli odklopite električni tok.

Med vzdrževalnimi deli uporabljajte zaščitne rokavice.

Pred vsako uporabo preberite, ali kabelski podaljšek nima znakov poškodb ali staranja. Če je električni kabel obrabljen ali drugače poškodovan, ga zamenjajte. Preverite stanje rezil in se prepričajte, da so spoji z navoji trdno zategnjeni. Če so rezila topa jih nabrusite ali zamenjajte. Za podporo pokličite pooblaščen servis.

Obrabljene ali poškodovane sestavne dele zamenjajte le z originalnimi nadomestnimi deli. Sestavni deli drugih kultivatorjev morda niso združljivi, to pa lahko povzroči nevarne situacije.

Preverite, ali so vsi varnostni mehanizmi varni in v dobrem stanju. Če je treba jih popravite ali zamenjajte. Enkrat v sezoni namastite rezila in gred. Preden boste shranili kultivator ob koncu sezone preverite, ali morda ni poškodovan. Popravite ali zamenjajte poškodovane sestavne dele.

⚠ POZOR: Kultivator očistite po vsaki uporabi. Zapostavljanje pravilnega čiščenja lahko povzroči poškodbe kultivatorja ali zmanjša njegove lastnosti. Očistite spodnjo nosilno ploščo motorja in pokrov rezila očistite s krtačo ali mehko krpo za brisanje, ki je namočena v milnico.

Za čiščenje kultivatorja nikoli ne uporabljajte cevi z vodo! Nikoli ne perite kultivatorja pod tekočo vodo, če posebej pod vodo s pritiskom.

Če želite odstraniti zemlji in umazanijo z menjalnika in rezil, uporabite trdo krtačo ali vlažno krpo. Na pokrovu motorja očistite luknje in odstranite vse ostanke trave in umazanije. Po čiščenju rezil in gredi ju takoj obrišite do suhega in namažite s tanko plastjo olja, da bi preprečili rjavenje.

Namestitev in odstranjevanje rezil

Za to opravilo priporočamo, da se posvetujete s pooblaščenim servisom.

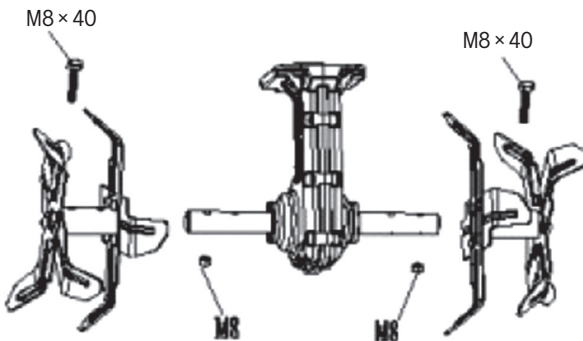
Obrabljena rezila zagotavljajo le slabo opravljeno delo in preobremenujejo motor.

Pred vsako preverite rezila. Če je treba, jih nabrusite ali zamenjajte. Za podporo pokličite pooblaščen servis.

⚠ OPOZORILO: Ob delu na rezilih se lahko poškodujete. Uporabljajte zaščitne rokavice.

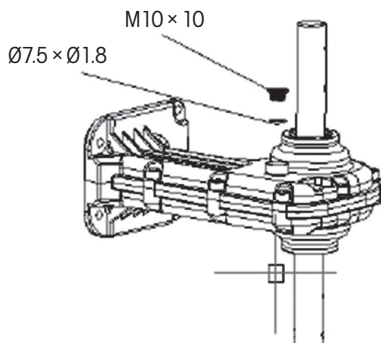
Za odstranitev rezila z gredi (slika 9) odvijte vijak s šestrobo glavo M8 x 40 z gredi. Z gredi snemite rezilo. Na namestitvev rezila postopajte v obratnem zaporedju.

Sl. 9



Dolivanje olja v menjalnik (slika 10):

Vijak za dolivanje je na desni strani menjalnika. Preden ga boste odvili, položite kultivator na levo stran in z menjalnika očistite vso umazanijo. Če je treba, odstranite rezila, da bi dobili boljši dostop do vijaka za dolivanje. Za odstranitev vijaka uporabite imbus ključ 5 mm. Iz menjalnika izpusčite olje. Nalijte zelo kakovostno olje SAE 30, dokler ne začne iztekati skozi luknjo. Znova privijte vijak za dolivanje.

Sl. 10

11. POGOJI SHRANJEVANJA

⚠ POZOR: Tveganje požara! Med uporabo in po njej je lahko menjalnik zelo vroč. Kultivator shranite v varni oddaljenosti od goriva, olja, vazelina in masti.

V celoti očistite celoten stroj in njegovo opremo.

Shranite ga izven dosega otrok v stabilnem položaju in na hladnem, suhem mestu, izognite se previsokim in prenizkim temperaturam. Zavarujte ga pred vplivi neposredne sončne svetlobe. Če je mogoče, ga hranite v temi. Ne hranite ga v plastičnih vrečah, tako boste preprečili nabiranje vlage.

Ob koncu vsake sezone opravite splošni kontrolni pregled stroja in odstranite vse usedline, ki so se lahko nabrale. Na začetku vsake sezone se prepričajte ali ste preverili stanje stroja. Če so potrebna popravila, kontaktirajte z enim od servisov (naslovi so na garancijski kartici).

Kultivator hranite na čistem in suhem mestu, kjer otroci nimajo dostopa.

Če kultivator shranjujete za dalj časa zagotovite, da bo zaščiten zoper rjavenje in mraz.

Ob koncu sezone ali, če kultivatorja ne boste uporabljali dalj od mesec dni, obrišite vse kovinske površine s krpo, namočeno v olje ali ga popršite s tanko plastjo olja, da ga zaščitite pred rjavenjem. Ročico obrnite navzdol in shranite kultivator na primerno mesto.

12. ODPRAVLJANJE TEŽAV

Težava	Možni vzroki	Ukrep
Motor se ne zažene	Stroj ni priključen na električno napajanje	Priključite stroj na električno napajanje
	V vtičnici ni napetosti	Preverite električno napajanje.
	Poškodovan napajalni kabel	Preverite električni kabel. Če je treba ga popravite ali zamenjajte.
	Pokvarjeno varnostno stikalo/vtič	Obiščite pooblaščen servis
	Aktivirala se je varovalka zoper pregrete	<ol style="list-style-type: none"> 1. Globina obdelave je pregloboka, nastavite manjšo globino. 2. Rezila so blokirana, odstranite oviro. 3. Zemlja je pretrda, izberite pravilno delovno globino in premikajte stroj naprej in nazaj in sočasno zmanjšajte delovno hitrost. Pred ponovno uporabo počakajte približno 15 minut, da se motor ohladi.
Premočan hrup	Rezila so se zataknila.	Izklopite stroj. Počakajte, da se rezila popolnoma ustavijo. Odstranite vse zataknen material.
	Izteka olje	Kultivator je treba popraviti. Pokličite telefonsko številko za podporo uporabnikom.
	Manjkajoči vijaki, matice ali drugi deli.	Zategnite vse sestavne dele. Če hrup še vedno obstaja, zahtevajte popravilo.
Premočni tresljaji	Rezila so poškodovana ali obrabljena	Zamenjajte poškodovana ali obrabljena rezila.
	Delovna globina je prevelika	Nastavite pravilno delovno globino.
Slabi delovni rezultati	Delovna globina je prenizka	Nastavite pravilno delovno globino.
	Obrabljena rezila	Zamenjajte poškodovana ali obrabljena rezila.

13. TEHNIČNE SPECIFIKACIJE

Model	FZK 2002 E
Napajanje z elektriko	230–240 V, 50 Hz
Vhodna moč.....	750 W
Število vrtljajev v prostem teku	380 vrtlj./min
Širina delovanja	320 mm
Globina delovanja	20 cm
Število rezil.....	4 kosov
Teža 8 kg	

Raven emisije hrupa v skladu s standardom

LpA (tlak zvoka)	79,0 dB(A)
LwA (raven moči zvoka)	93 dB(A)
Zagotovljena raven moči zvoka je LwA	MAX 96 dB(A)

Raven tresljajev..... 1.158 m/s²; K=1,5 m/s²

14. IZJAVA O SKLADNOSTI



FAST ČR, a.s.
 Černokostecká 1621, 251 01 Říčany Prague, tel.: 323 204 111, faks: 323 204 110
 E-pošta: info@faster.cz
 Cejl 31, 602 00 Brno, tel.: 531 010 292-3, faks: 531 010 294
 E-pošta: info@faster.cz

CE IZJAVA O SKLADNOSTI

Proizvavalec:

FAST ČR, a.s.
 Černokostecká 2111, 100 00 Prague 10, Češka republika
 ID številka za DDV: CZ26726548

Izdelek/blagovna znamka: Električni kultivator/FIELDMANN

Vrsta/model: FZK 2002 E
 230 V, 750 W, 50 Hz

Ta izdelek izpolnjuje določila spodnjih direktiv:

direktiva EU št. 2006/95/EU Nizkonapetostna električna oprema
 direktiva sveta EU 2006/42/EU Stroji
 direktiva EU št. 2004/108/EU Elektromagnetna združljivost (EMC)
 direktiva EU št. 2002/95/EU RoHS

in standardi:

EN 60335-1:2002+A1+A11+A12+A13+A14+A15
 EN 709:1997+A4
 EN 62233:2008
 ZEK 01.4-08/11.11
 EN 55014-1:2006+A1+A2
 EN 55014-2:1997+A1:2002
 EN 61000-3-2:2006+A1+A2
 EN 61000-3-3:2008

CE oznaka: 15

FAST ČR a.s. je pooblaščen za ukrepanje v imenu proizvajalca.

Kraj izdaje: Praga

Ime: Ing. Zdeněk Pech
 Predsednik sveta direktorjev

Datum izdaje: 22.9.2015

Podpis:

FAST FAST ČR, a.s. ©
 Černokostecká 1621, 251 01 Říčany
 IČO: 26726548 tel.: +420/ 323 204 111
 DIČ: CZ26726548 fax: +420/ 323 204 110

Glavni sedež podjetja: Černokostecká 2111, 100 00, Praga 10
 Org. ID: 26726548, davčna št.: CZ26726548
 Podatki o banki: Komerční banka Prague 1, št. računa. 89309-011/0100

15. ODLAGANJE

Navodila in informacije o ravnanju z uporabljenimi embalažami

Embalažni material odnesite na določeno mesto za zbiranje odpadkov v občini.



Naprava in njeni dodatki so izdelani iz različnih materialov, npr. iz kovine in plastike. Poškodovane dele dostavite v reciklažni center. Za podrobnosti se posvetujte pri ustreznem državnem organu.



Ta izdelek izpolnjuje vse osnovne zahteve, ki jih predpisujejo direktive EU.

Pridržujemo si pravico za spreminjanje besedila, oblike in tehničnih specifikacij brez opozorila.

Uporabniški priročnik v izvirnem jeziku.

