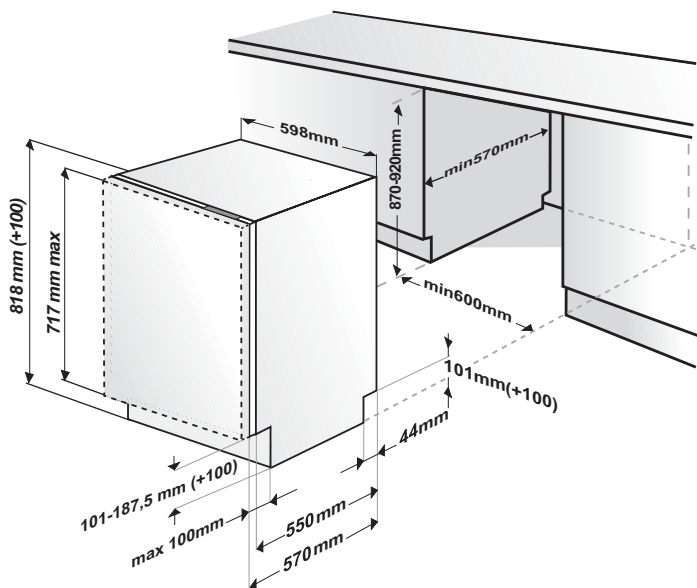
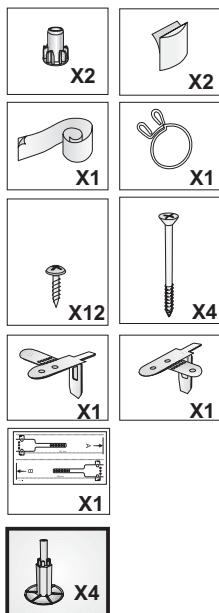


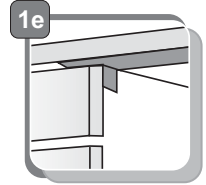
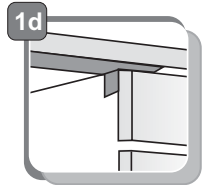
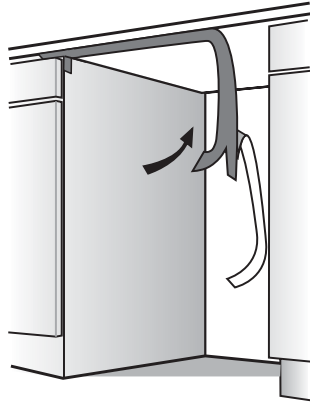
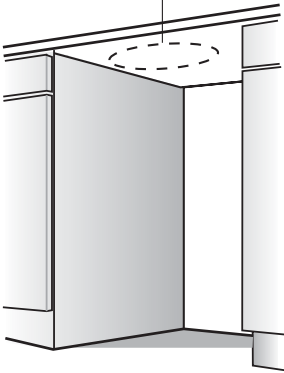
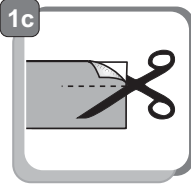
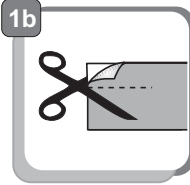
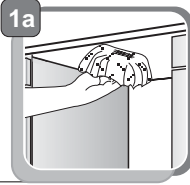
h = 820mm - 870mm



h = 870mm - 920mm



1

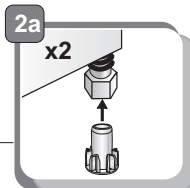
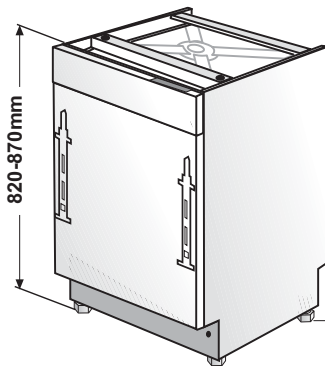


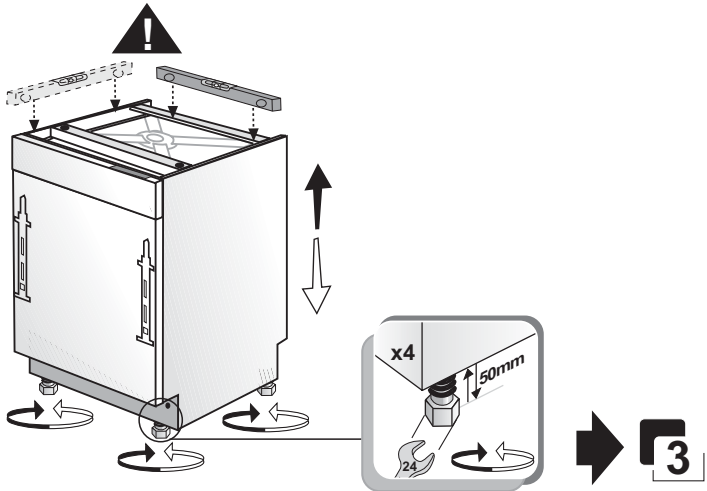
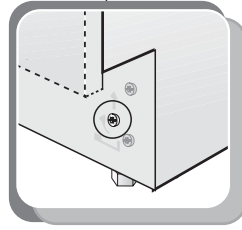
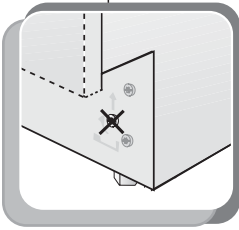
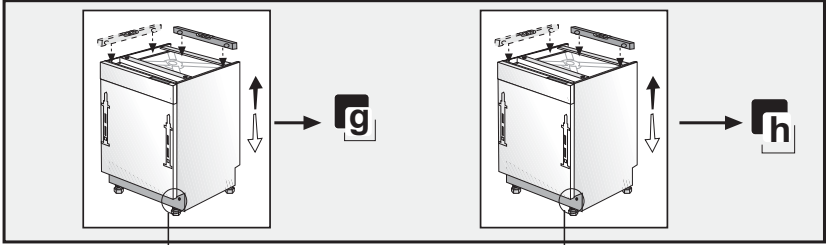
h = 820mm - 870mm → 2a

h = 870mm - 920mm → 2b

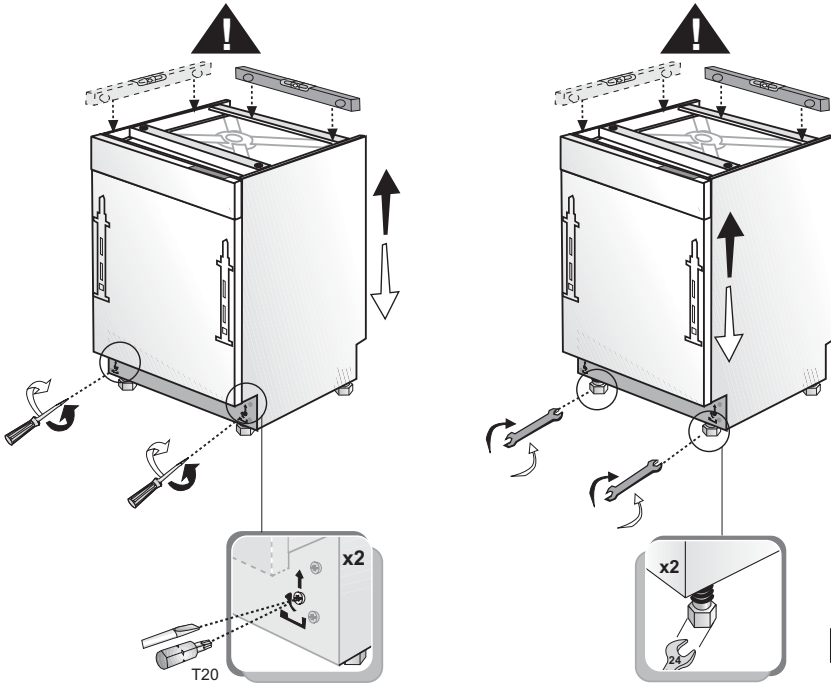
2a

h = 820mm - 870mm



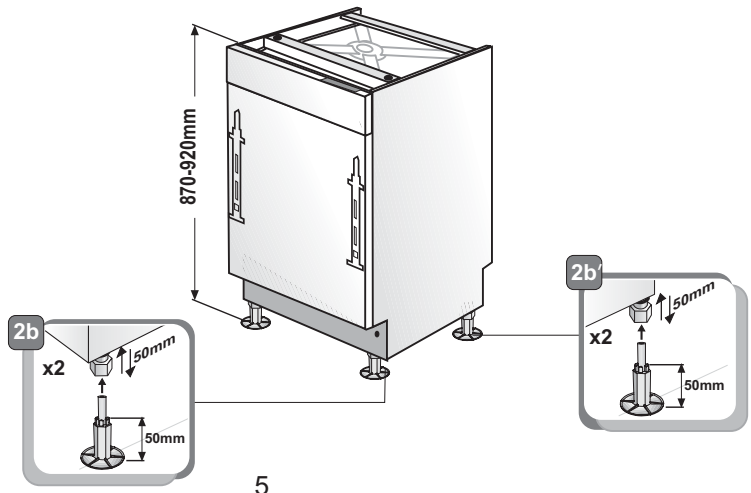


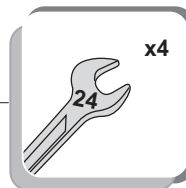
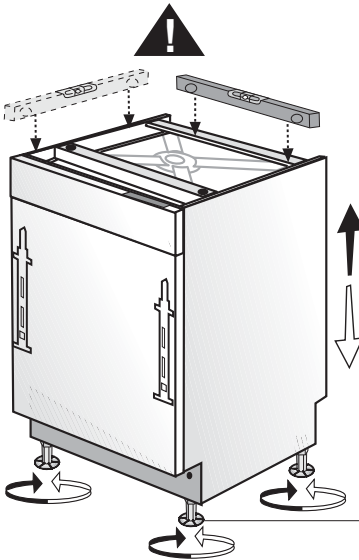
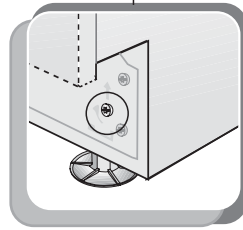
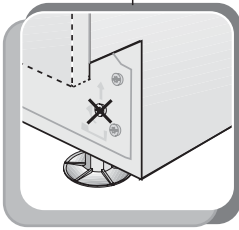
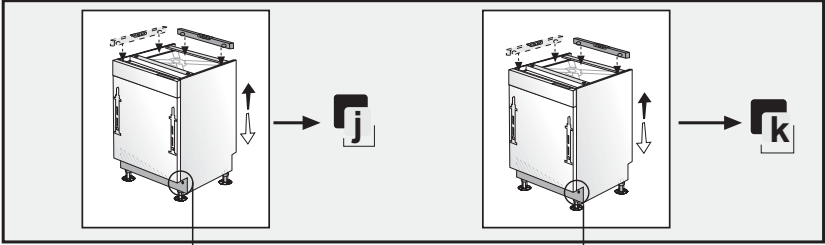
h

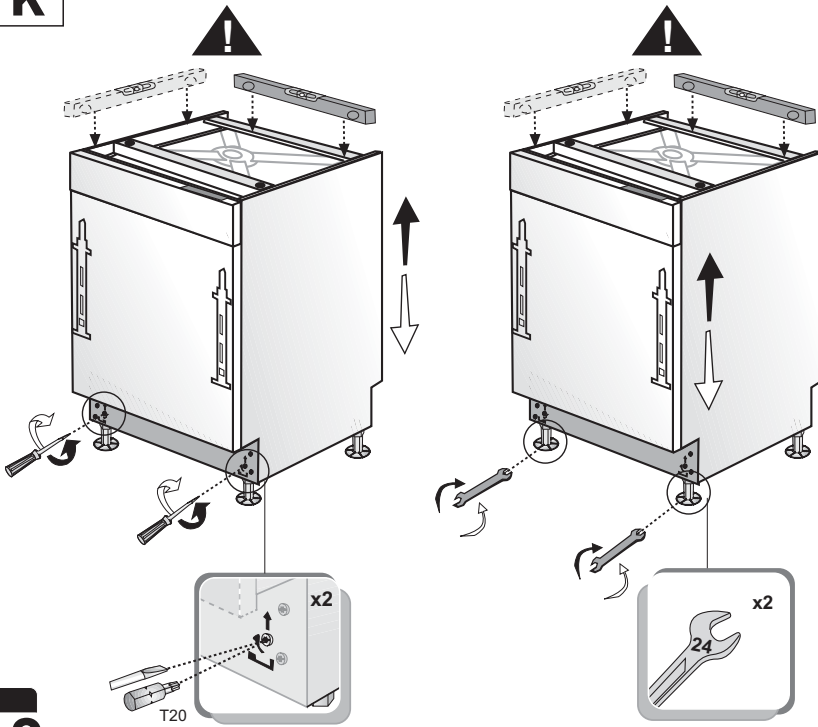
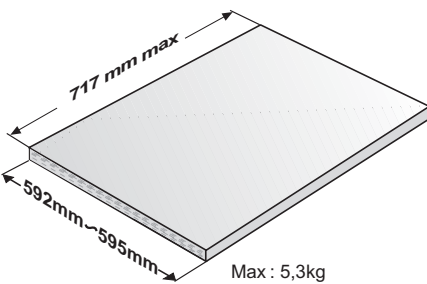


2b

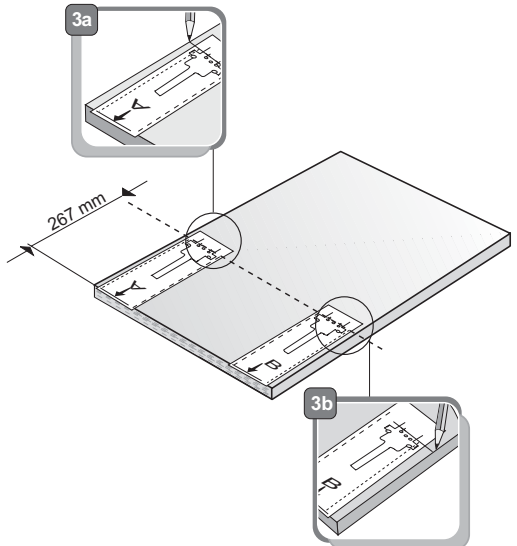
h = 870mm - 920mm



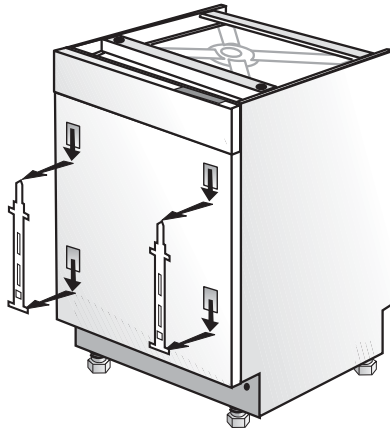


k**3**

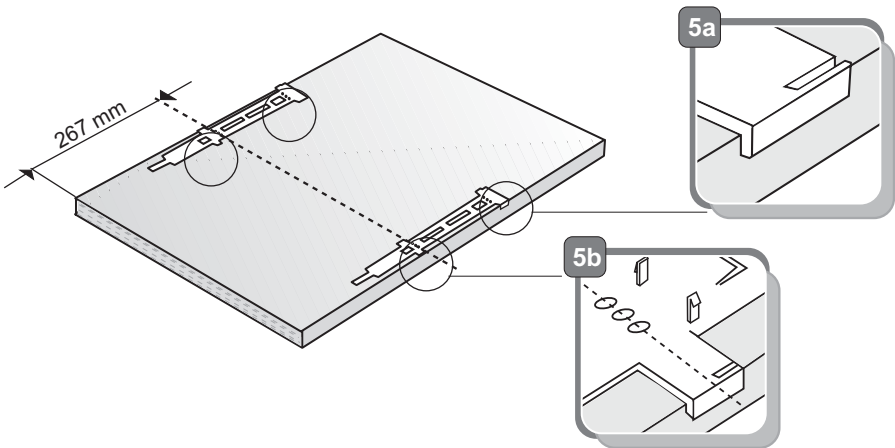
Max : 5,3kg
Min : 4,8kg

**3**

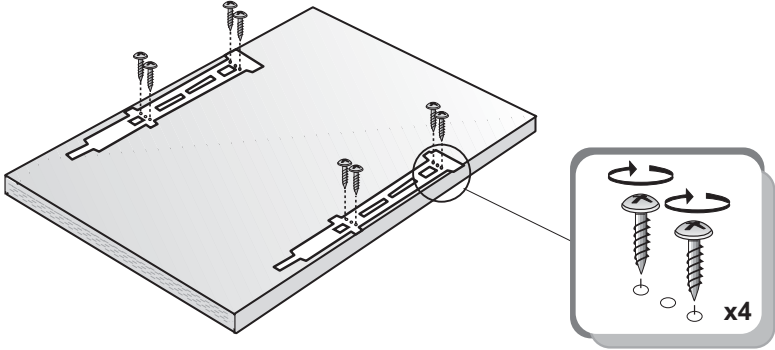
4



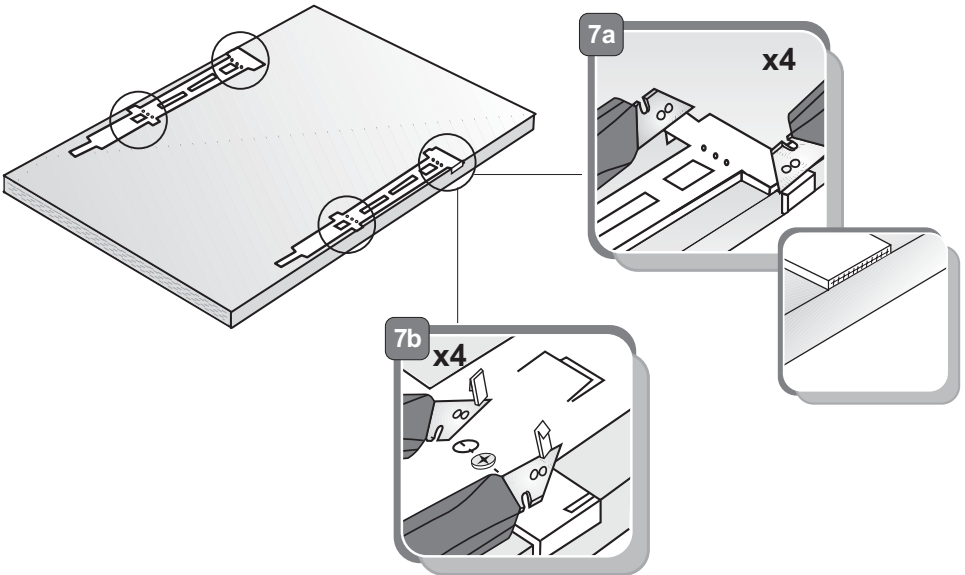
5



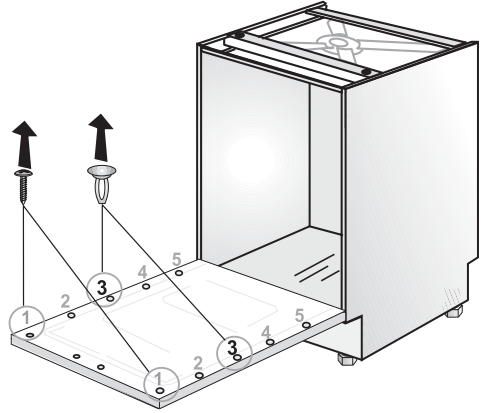
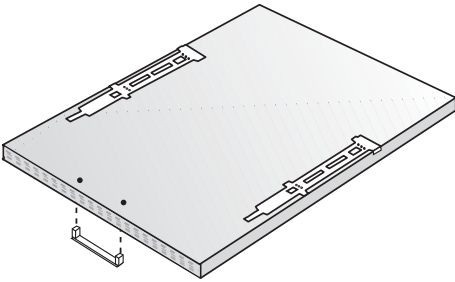
6



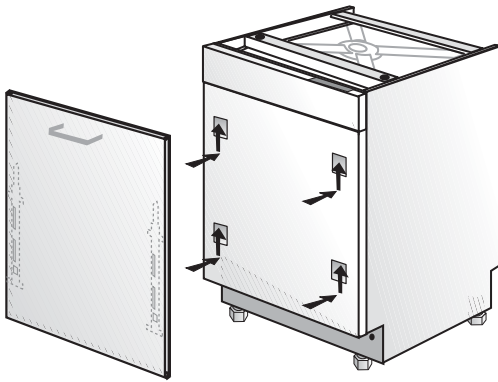
7



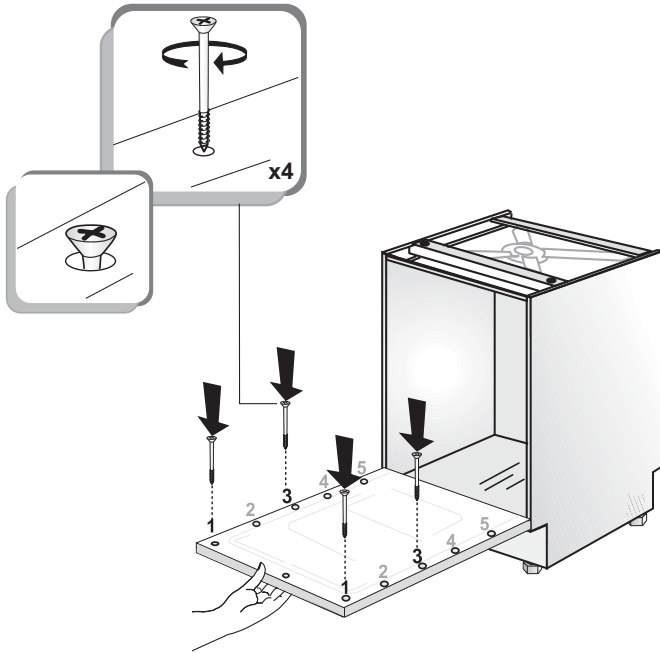
8



9

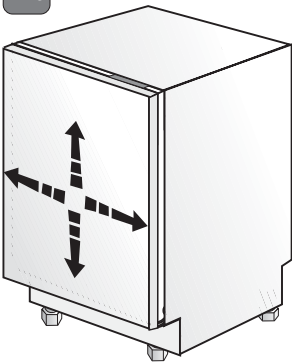


10

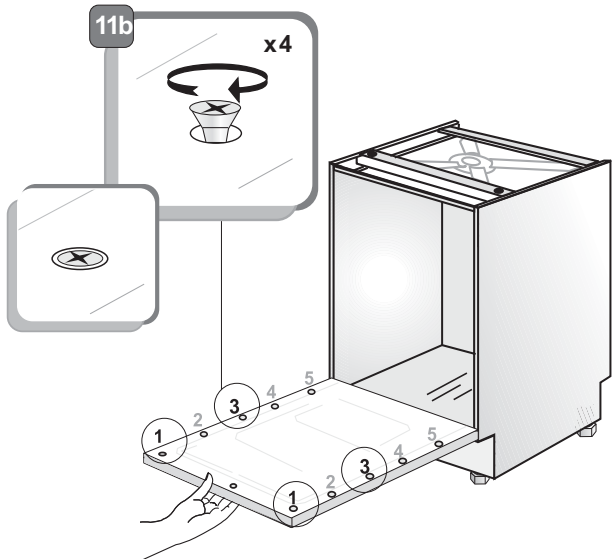


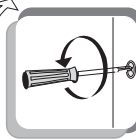
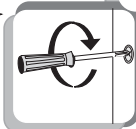
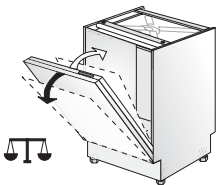
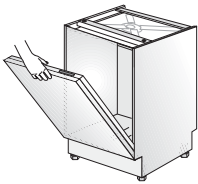
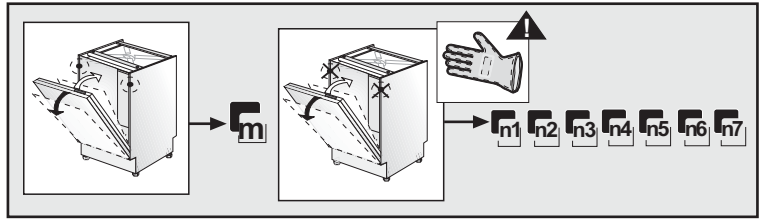
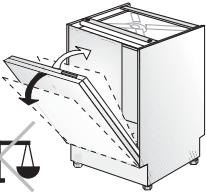
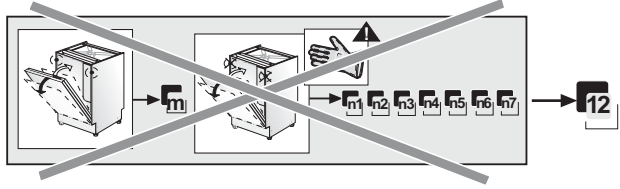
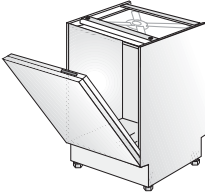
11

11a

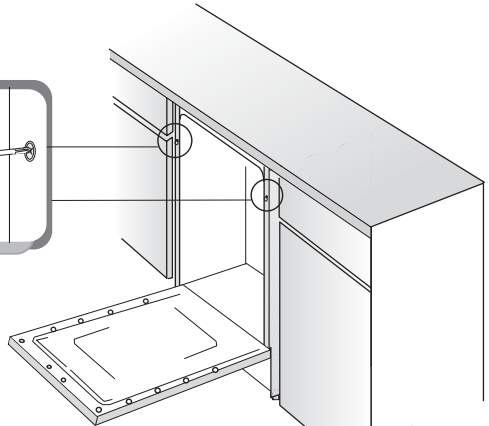


11b

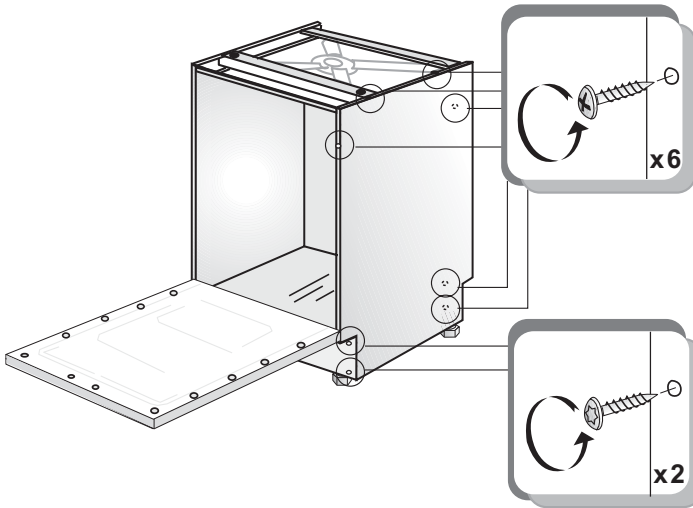




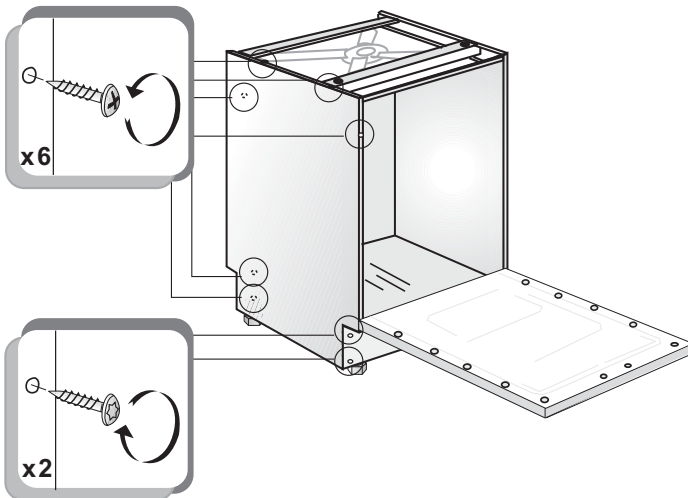
X2



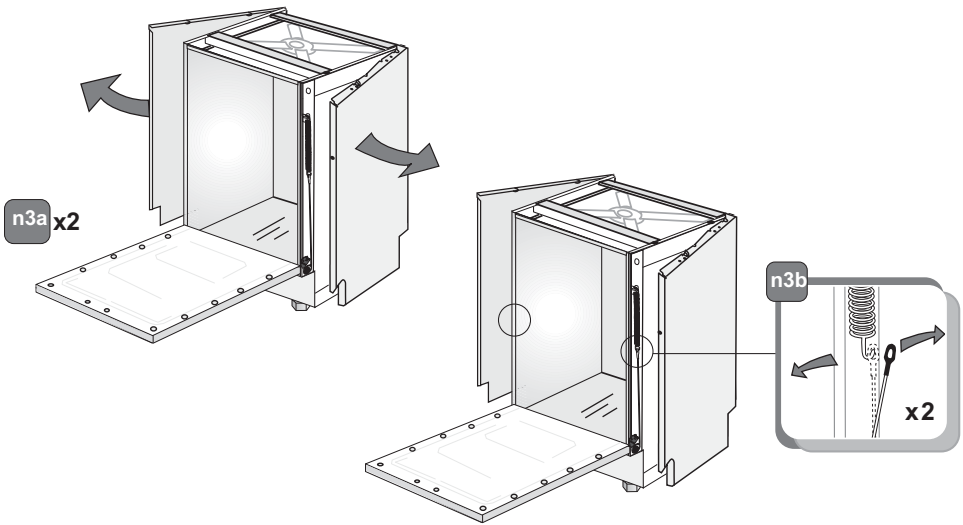
n1



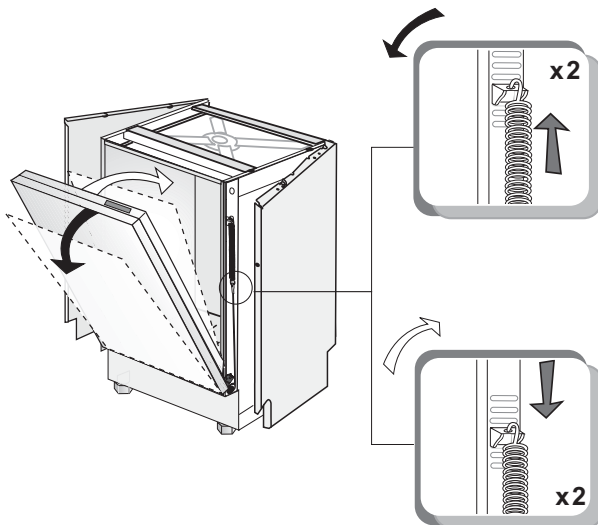
n2



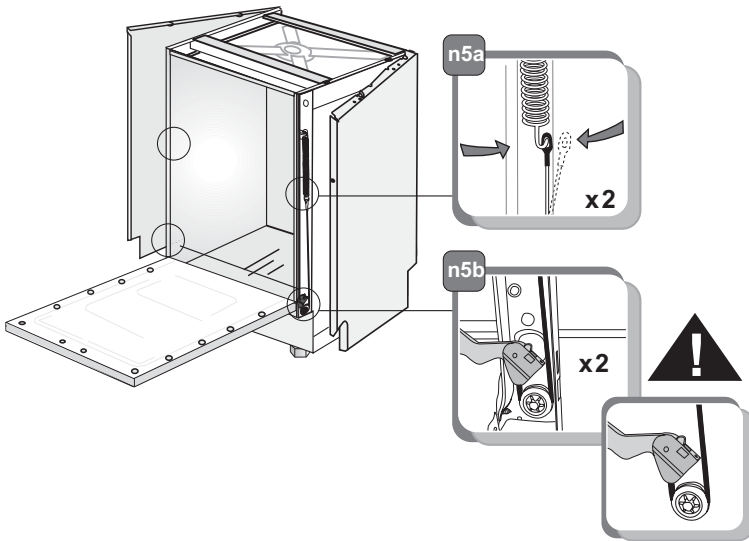
n3



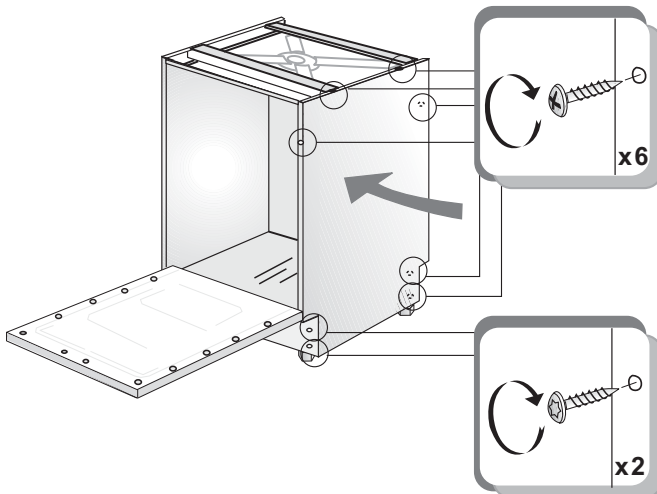
n4



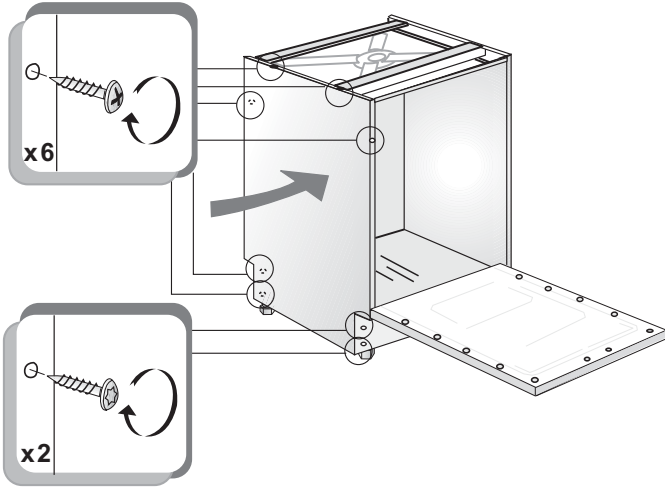
n5



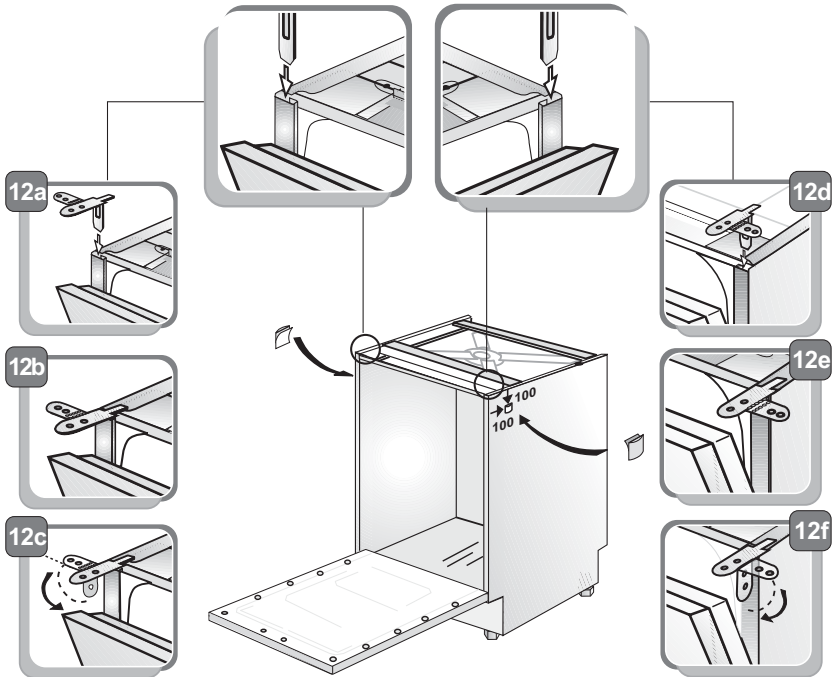
n6



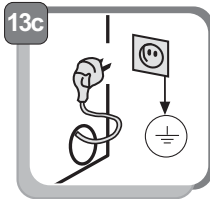
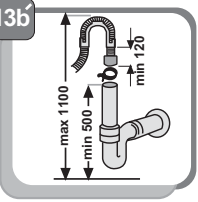
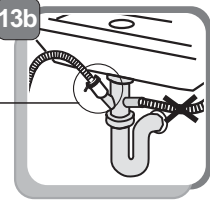
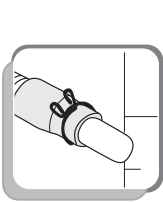
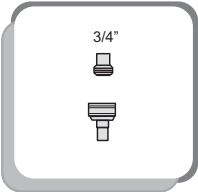
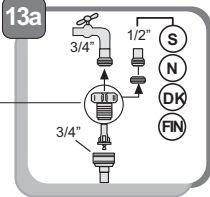
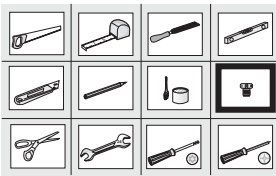
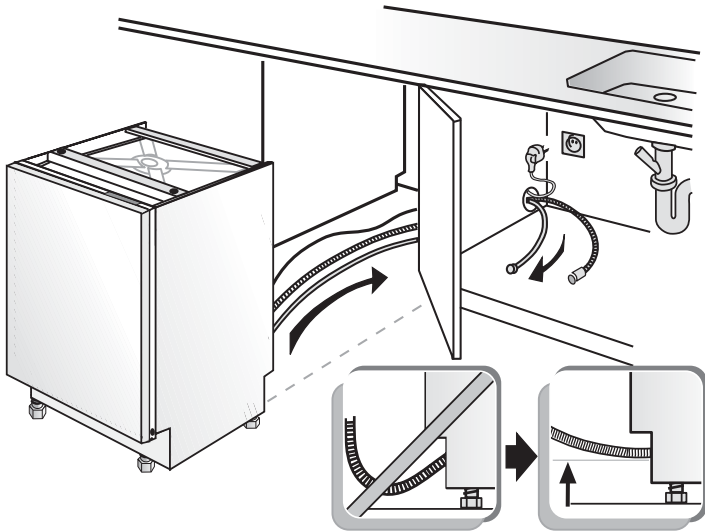
n7



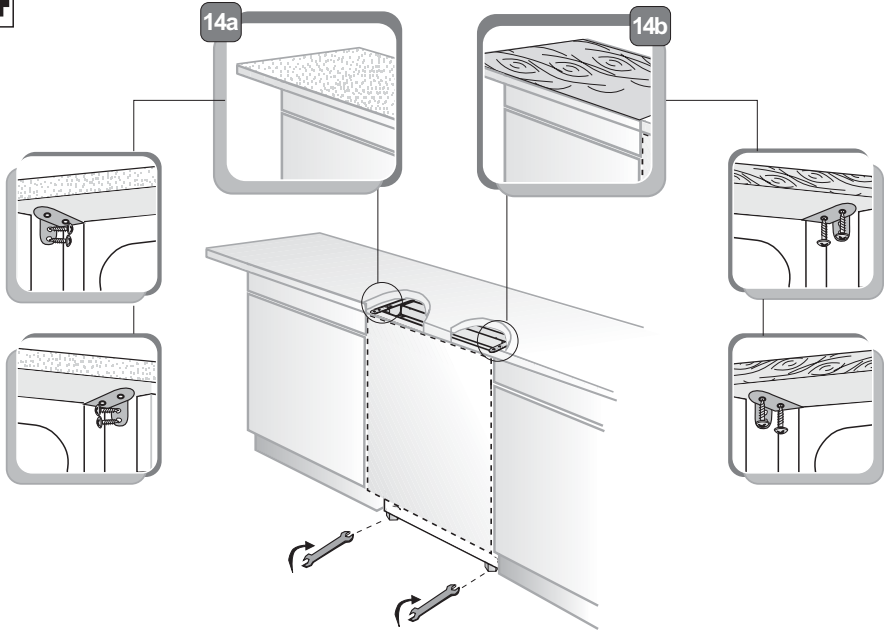
12



13



14



15

